

# User Manual

## Arc Floor Lamp

## Product Features

1. Classic fishing style, embellish the space atmosphere of the room.
2. Arched floor lamp with solid color finish mixed with a fabric shade combines the best of minimalist design with a modern color palette to bring you a modern minimalist lamp perfect for any space in your home.
3. With the lampshade made of linen fabric, it is more ornamental during the day and has high light transmittance at night.
4. With a traditional foot switch, both children and adults can easily switch the lights;
5. The lamp is equipped with a remote control bulb, you can control the light switch, brightness and color temperature through the remote control conveniently.
6. Our remote control has the code matching function, which allows you to control several lights with one remote control in different scenes.

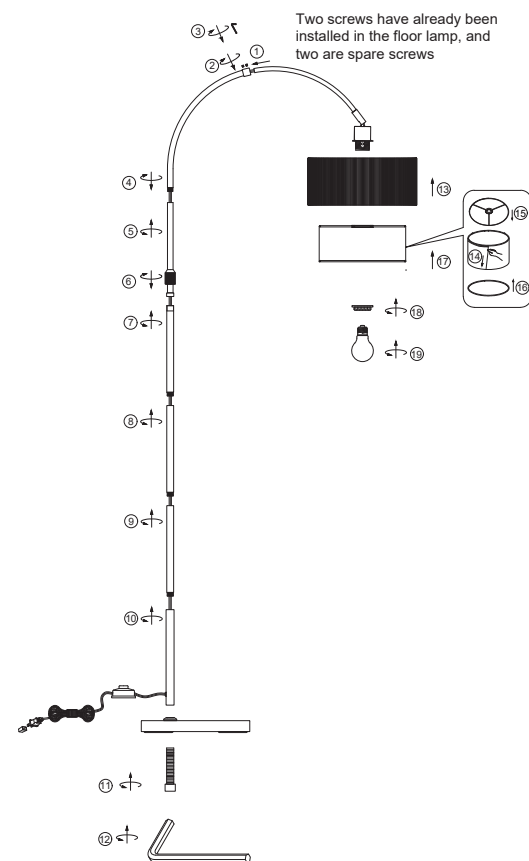
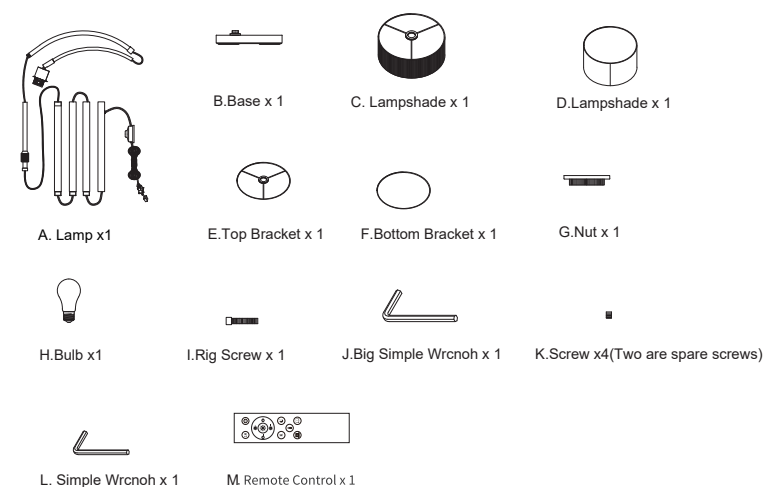
## Parameter

Lamp	
Model	LAMP
Power For Blub	MAX 60W
Material	Iron+ Fabric
Socket Type	E26
Switch	Foot switch
Size For Shade	D11.81x5.11 inches
Size For Lamp	28.4x11.81x72.64 inches
Bulb	
Voltage	100-120V
Power	12W
Brightness	1200lm
CCT	Warm — Daylight
Life	15000h

## Cautions

1. If the remote control can't control the lamp, please try to match the codes. If you still can't control the lamp after the code is matched, please contact us as soon as possible.
2. Please make sure that the voltage is 100-120V, which is standard for US. This product can only be used between 100-120V.
3. Unplug before cleaning.

## Package List



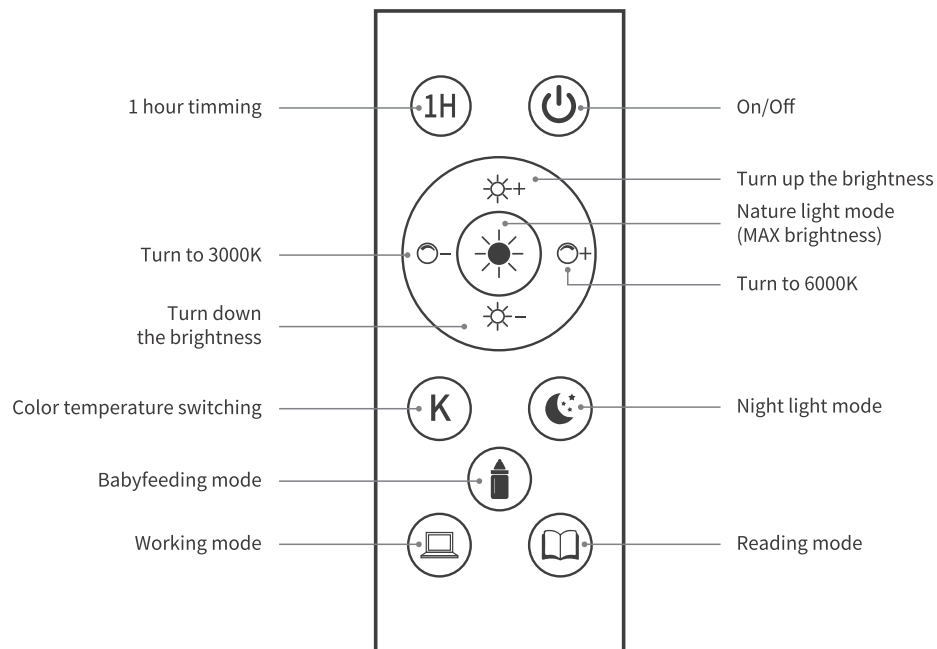
## Usage

On/Off: ① Step on the foot switch.

② Press switch button on the remote control.

CCT: Press the color temperature +/- button, short press is for grading dimming, long press is for stepless dimming.


Brightness: Press the brightness +/- button, short press is for grading dimming, long press is for stepless dimming.

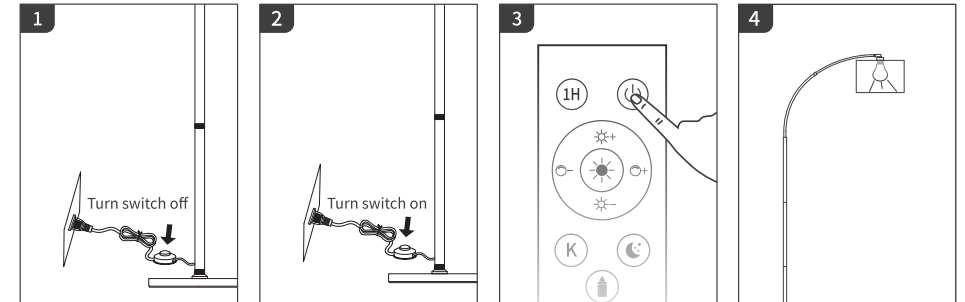


## Matching

Make sure the remote control matches well with the lamp : Plug the adapter to the power supply and use the remote to control the lamp. Usually the remote controls the lamp perfectly. If the remote control doesn't work for the lamp, please re-match them.

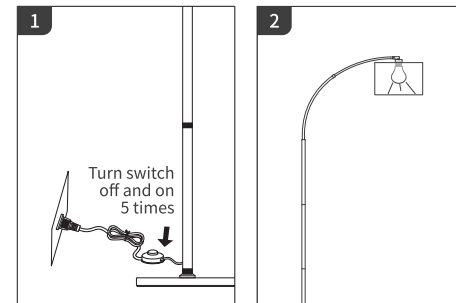
## Matching process :

1. Disconnect the power supply for more than 10 seconds.
2. Connect the power supply.
3. Press and hold the On/Off button  on the remote within 5 seconds.
4. When the light flashes, it matches successfully.



## Decoding process :

Connect and disconnect the power supply 5 times. When the main light flashes, it means decode successfully.



## Warranty:

Dear Customer, thank you for choosing our product! This product comes with a 12-month warranty from the date of your receipt. During the warranty period, we offer free repair or replacement for non-human-caused performance. Whether you have warranty needs or any questions during use, feel free to contact us via email anytime! Our customer service team will help you promptly.