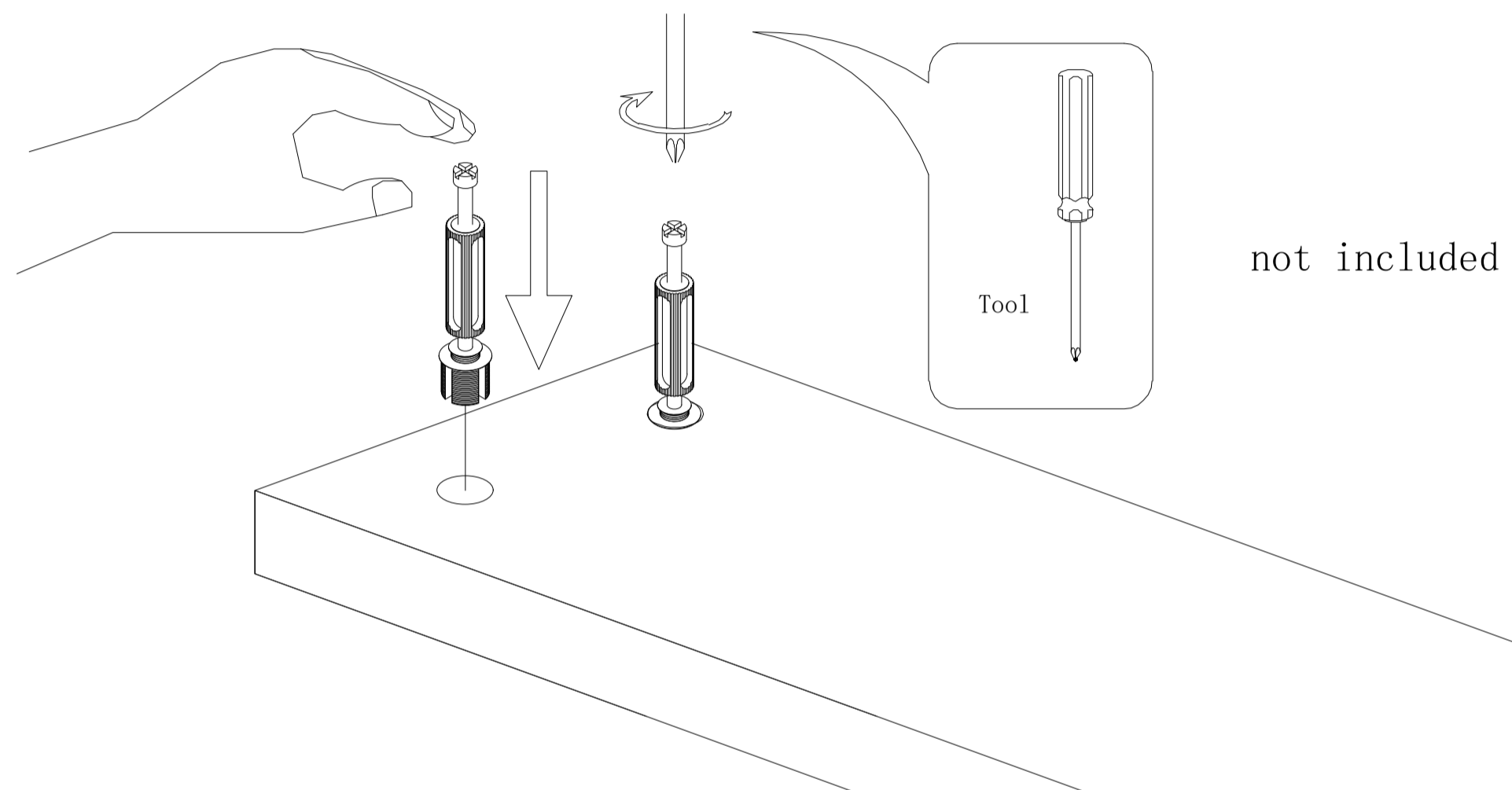




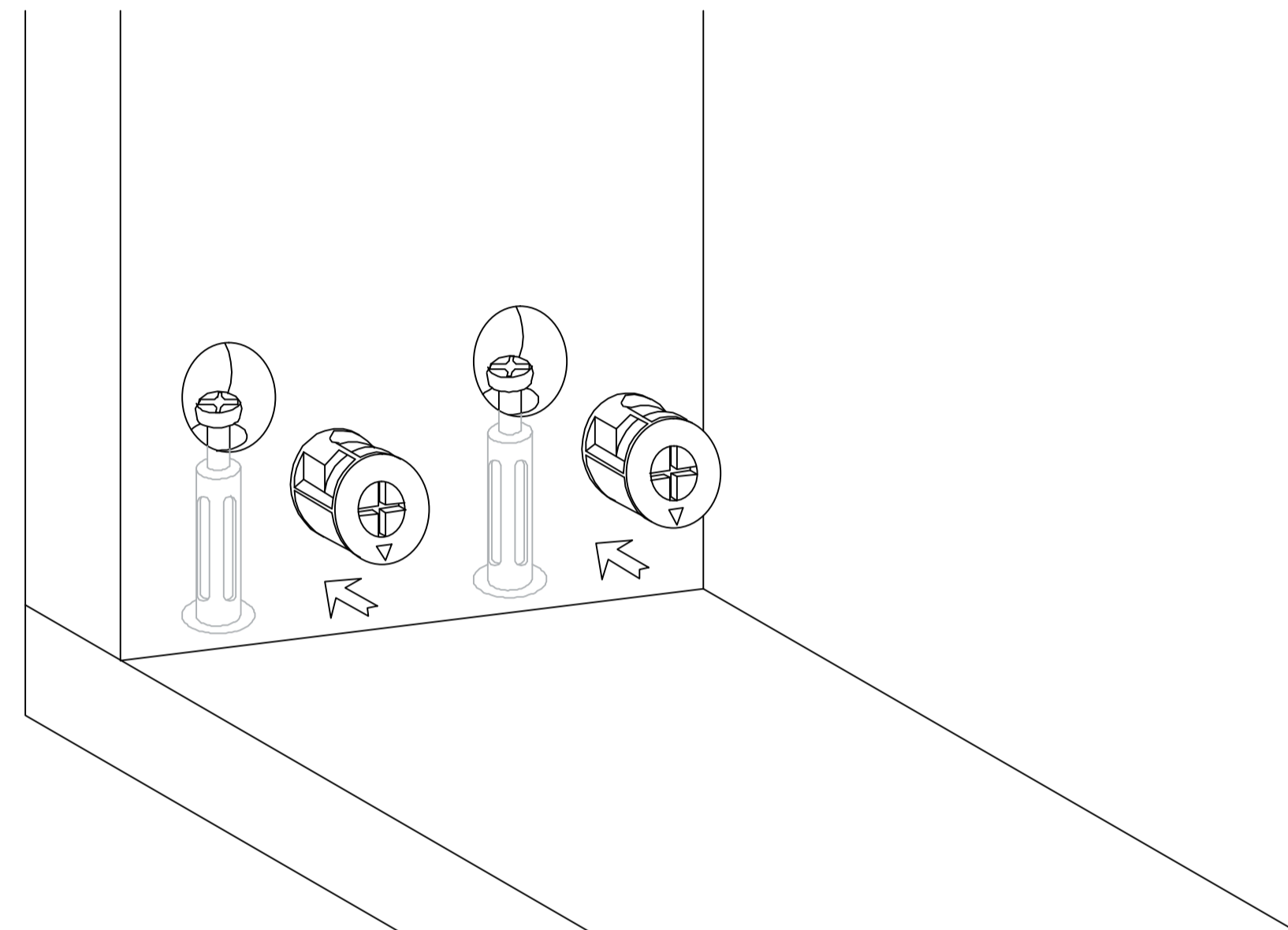
Hardware installation demonstration

NOTE: Please make sure "A" hardware tightened and can't be pulled out!

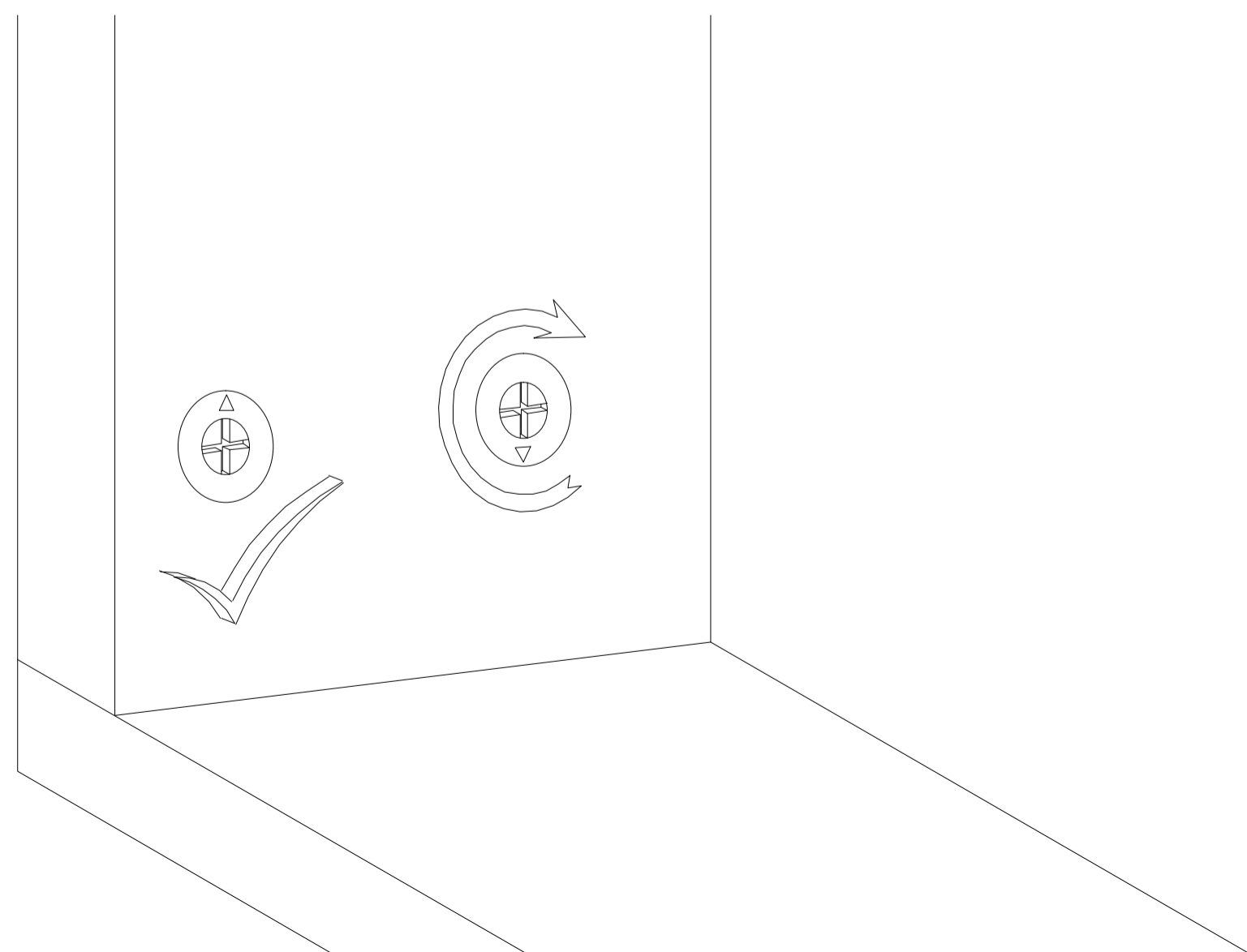
I

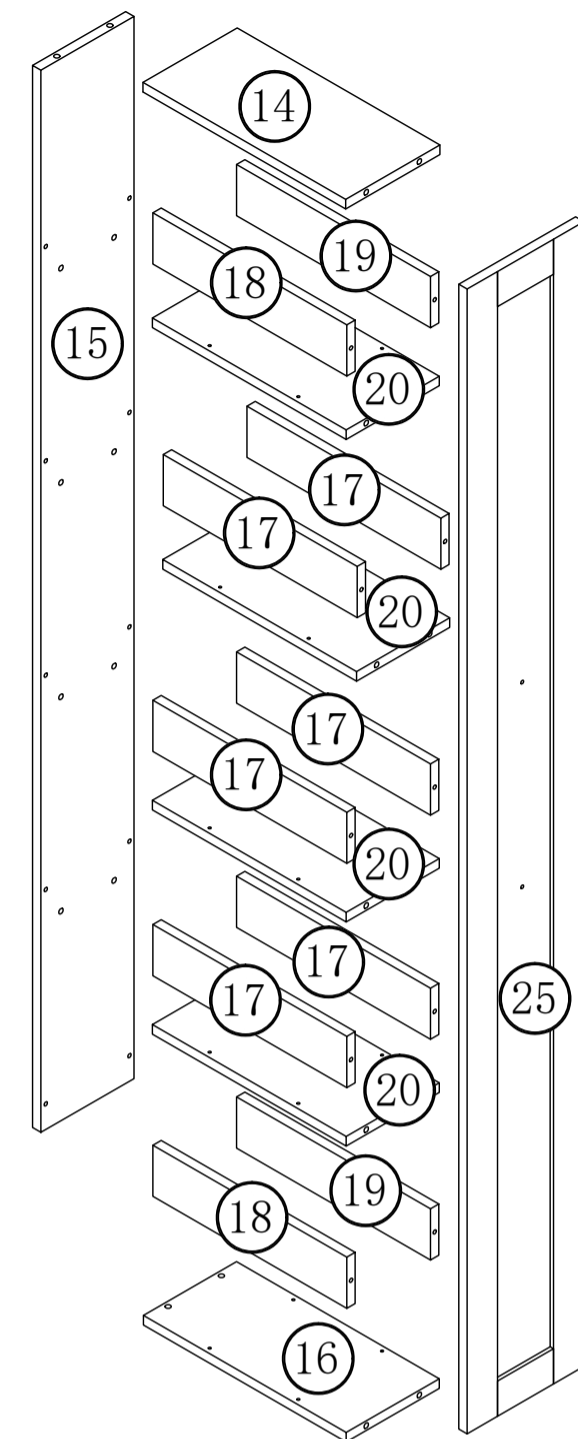
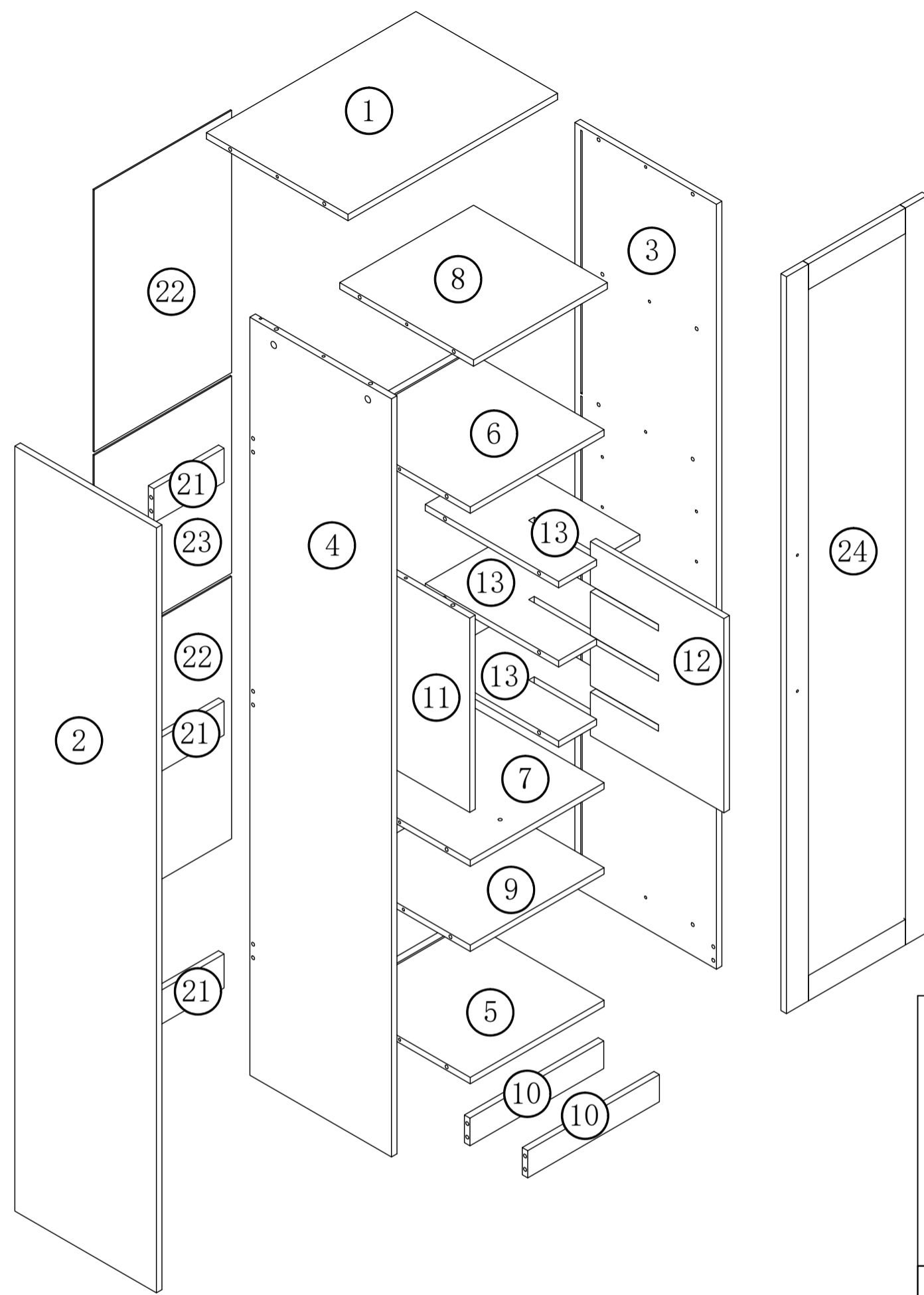


II



III

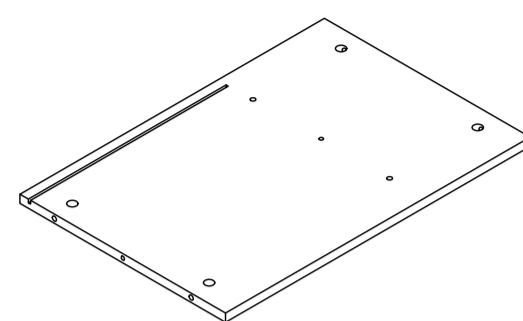




| | | | | | | | | | |
|-----------------------------------|-------------------------------------|-----------------------------------|-----------------------------------|------------------------------|----------------------------------|---|----------------------------|--|-----------------------------|
| <p>A</p> <p>74PCS</p> | <p>B</p> <p>74PCS</p> | <p>C 8*40</p> <p>48PCS</p> | <p>D 7*50</p> <p>20PCS</p> | <p>E</p> <p>2PCS</p> | <p>F 4*18</p> <p>2PCS</p> | <p>G 4*12</p> <p>2PCS</p> | <p>H</p> <p>1PC</p> | <p>I</p> <p>4PCS</p> | <p>J</p> <p>4PCS</p> |
| <p>M 3*12</p> <p>12PCS</p> | <p>N 3.5*14</p> <p>60PCS</p> | <p>O 4*50</p> <p>2PCS</p> | <p>P 8*40</p> <p>2PCS</p> | <p>Q</p> <p>12PCS</p> | <p>R</p> <p>62PCS</p> | <p>K</p> <p>350mm</p> <p>K1 K2</p> <p>2PCS</p> | | <p>L</p> <p>L2 L1</p> <p>2PCS</p> | |

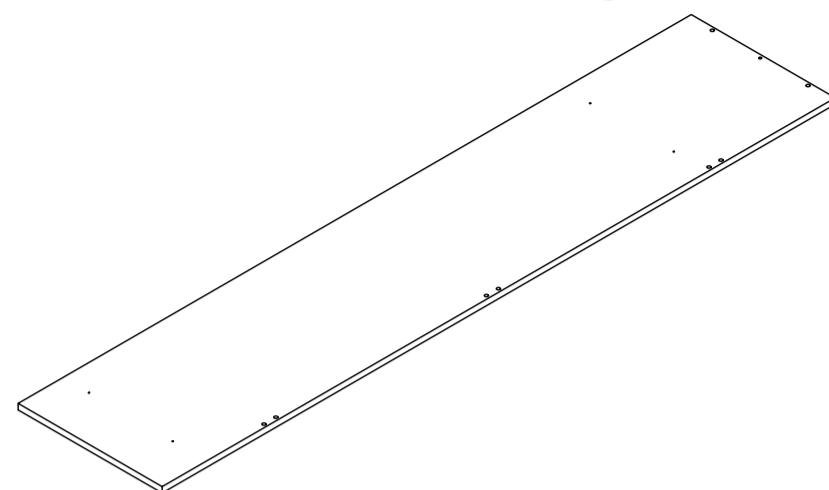
1

570*385(mm)
22.44*15.16(inch)
1PC



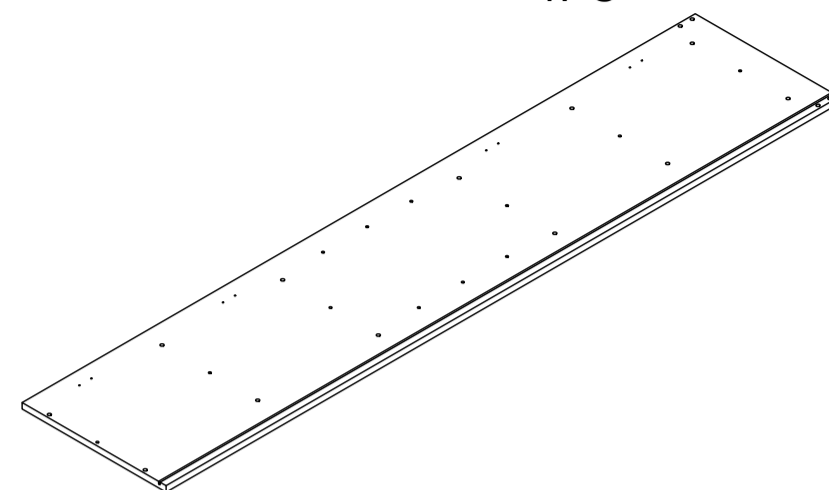
2

1800*385(mm)
70.87*15.16(inch)
1PC



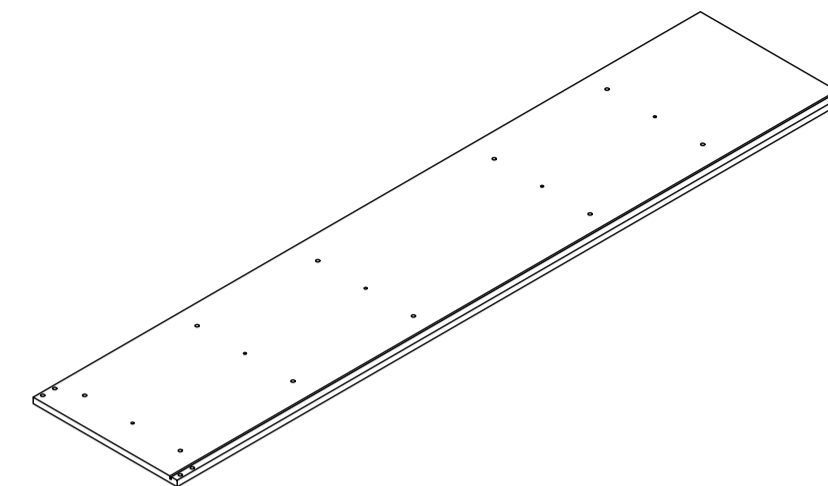
3

1800*385(mm)
70.87*15.16(inch)
1PC



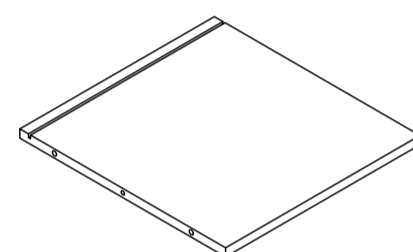
4

1784*385(mm)
70.24*15.16(inch)
1PC



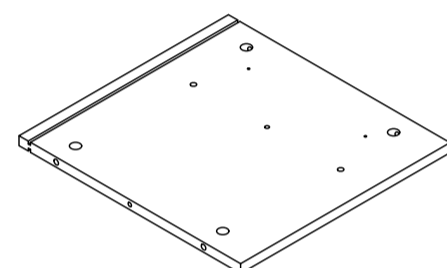
5

385*364(mm)
15.16*14.33(inch)
1PC



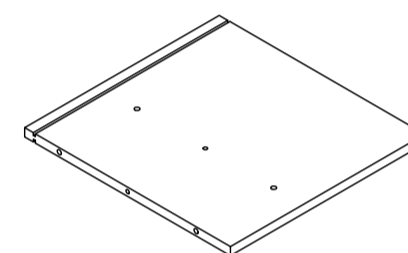
6

385*364(mm)
15.16*14.33(inch)
1PC



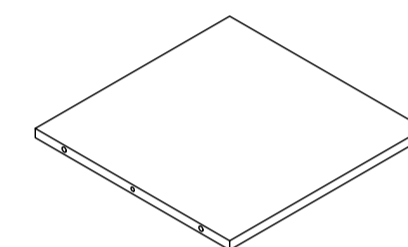
7

385*364(mm)
15.16*14.33(inch)
1PC



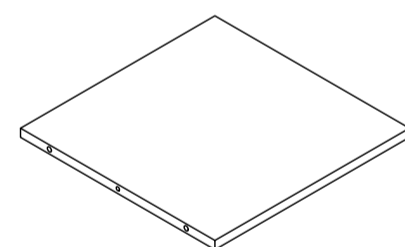
8

364*364(mm)
14.33*14.33(inch)
1PC



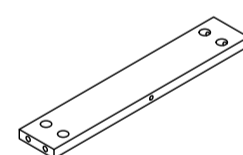
9

364*364(mm)
14.33*14.33(inch)
1PC



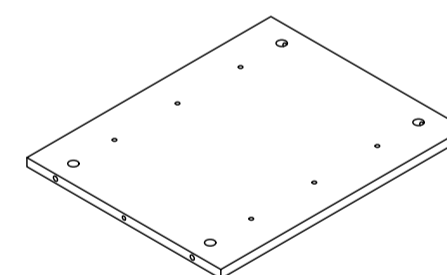
10

364*65(mm)
14.33*2.56(inch)
2PCS



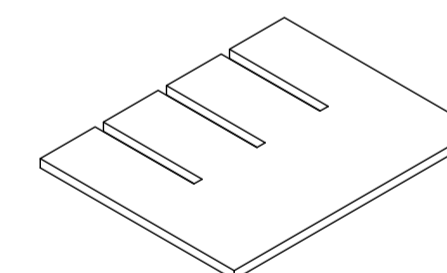
11

457*363(mm)
17.99*14.29(inch)
1PC



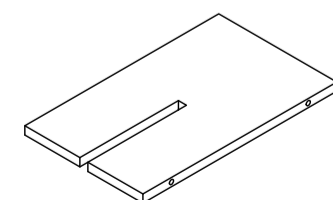
12

457*363(mm)
17.99*14.29(inch)
1PC



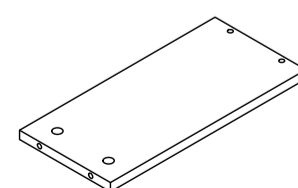
13

363*221(mm)
14.29*8.7(inch)
3PCS



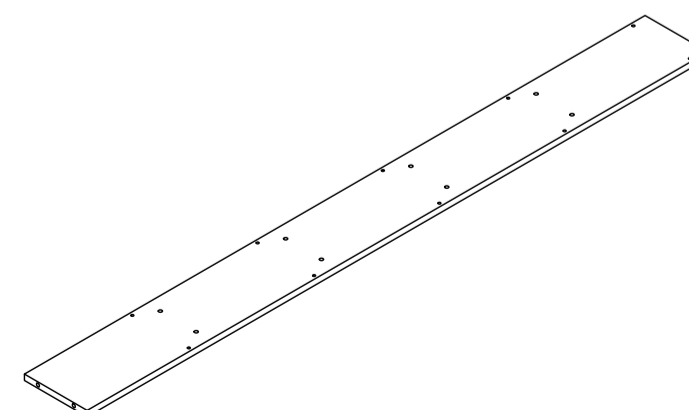
14

366*170(mm)
14.41*6.69(inch)
1PC



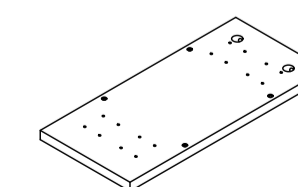
15

1660*168(mm)
65.35*6.61(inch)
1PC



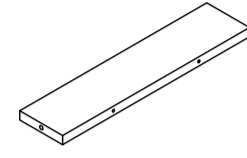
16

366*168(mm)
14.41*6.61(inch)
1PC



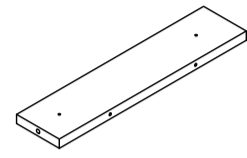
17

350*80(mm)
13.78*3.15(inch)
6PCS



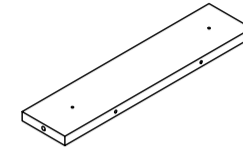
18

350*80(mm)
13.78*3.15(inch)
2PCS



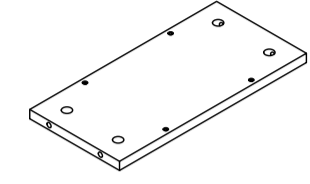
19

350*80(mm)
13.78*3.15(inch)
2PCS



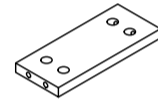
20

350*168(mm)
13.78*6.61(inch)
4PCS



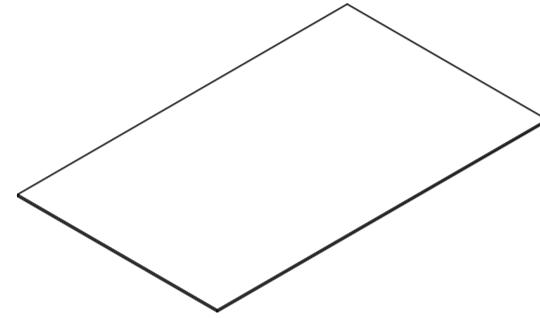
21

191*80(mm)
7.52*3.15(inch)
3PCS



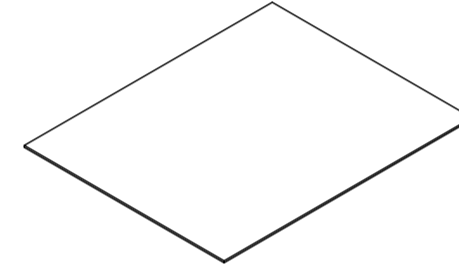
22

617*374(mm)
24.29*14.72(inch)
2PCS



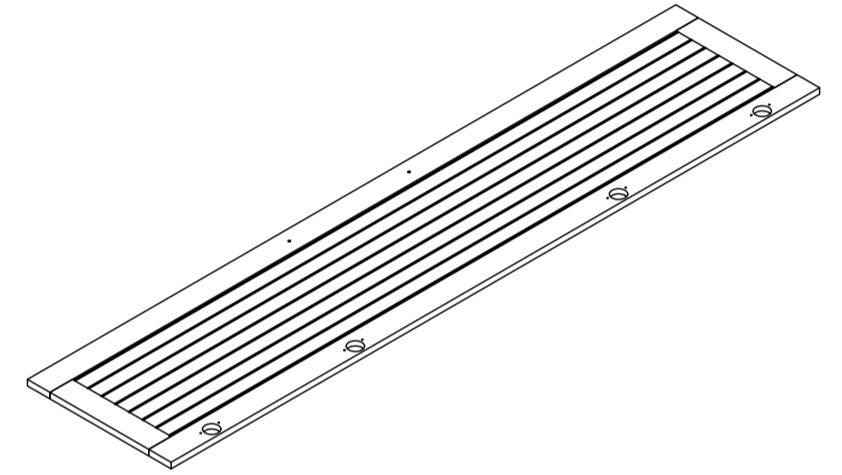
23

464*374(mm)
18.27*14.72(inch)
1PC



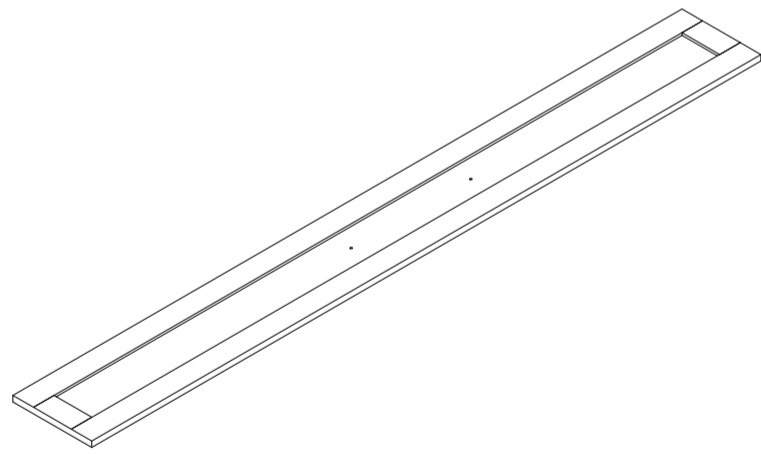
24

1734*384(mm)
68.27*15.12(inch)
1PC

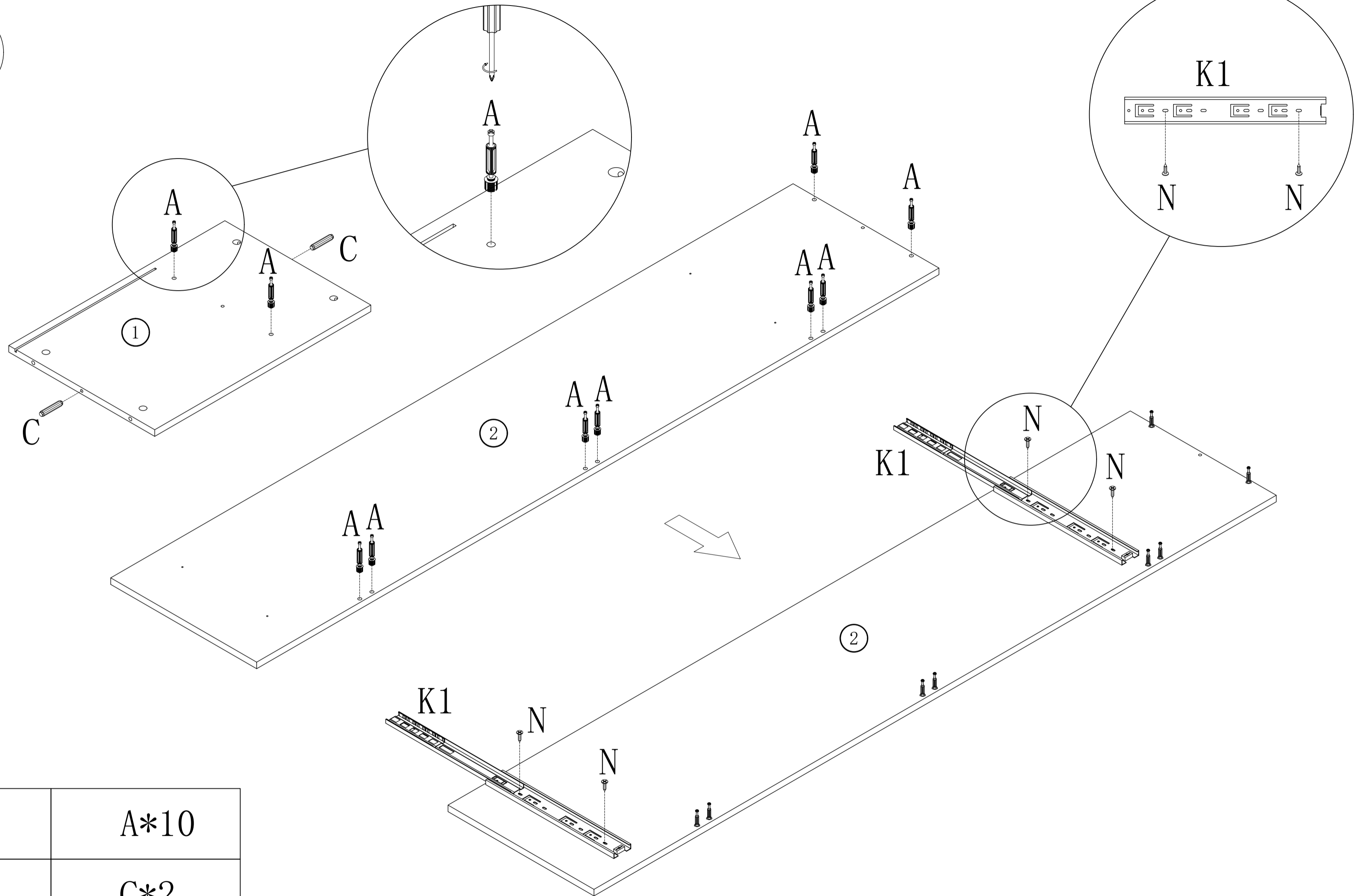


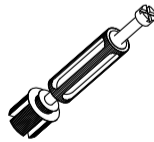
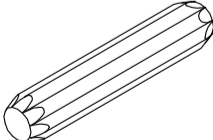

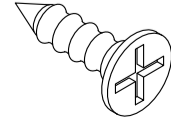
25

1789*211(mm)
70.43*8.31(inch)
1PC



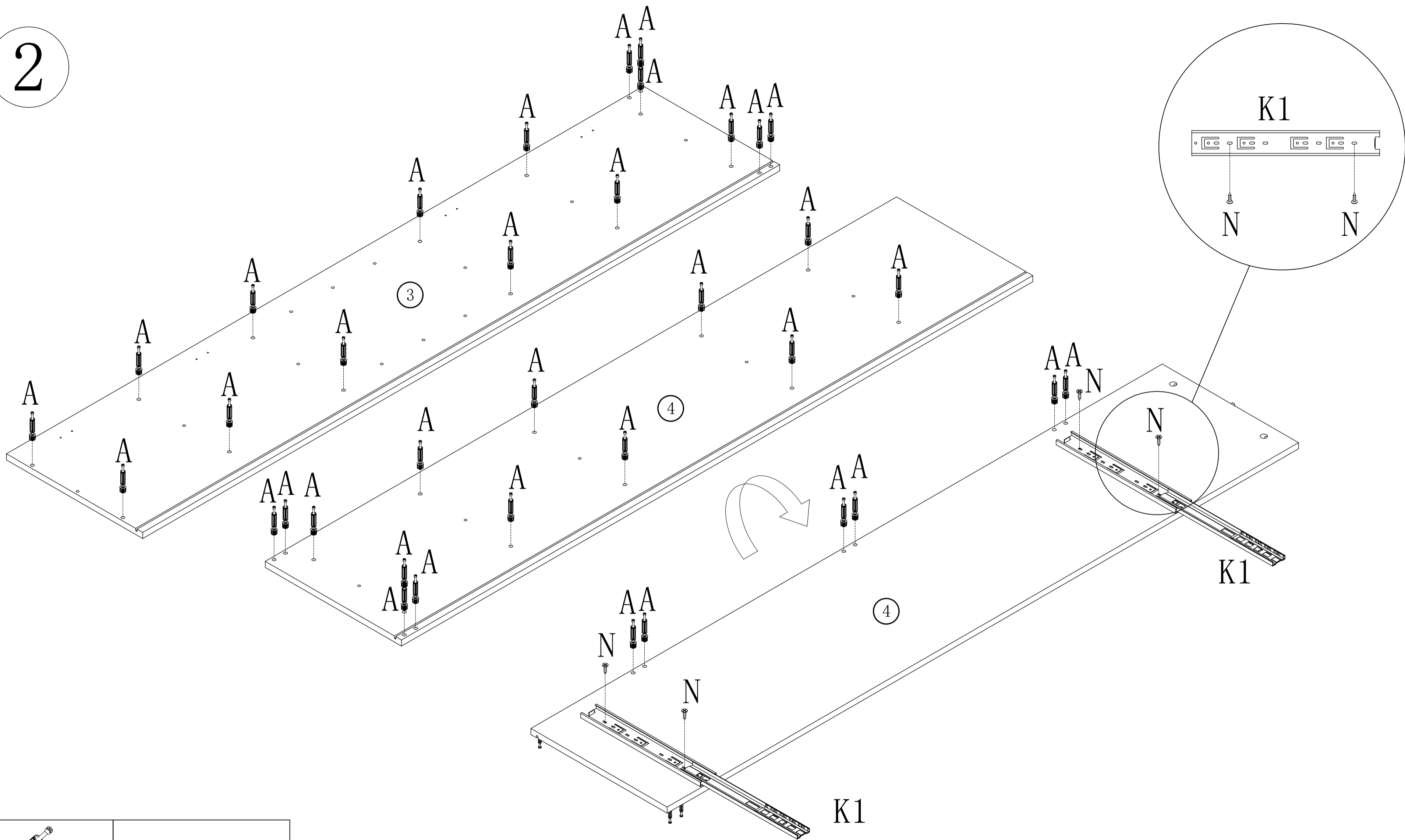
1

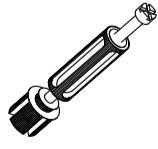

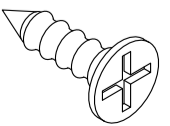


| | |
|---|------|
|  | A*10 |
|  | C*2 |
|  | K1*2 |
|  | N*4 |

put A on board ① ②
 put C on board ①

2



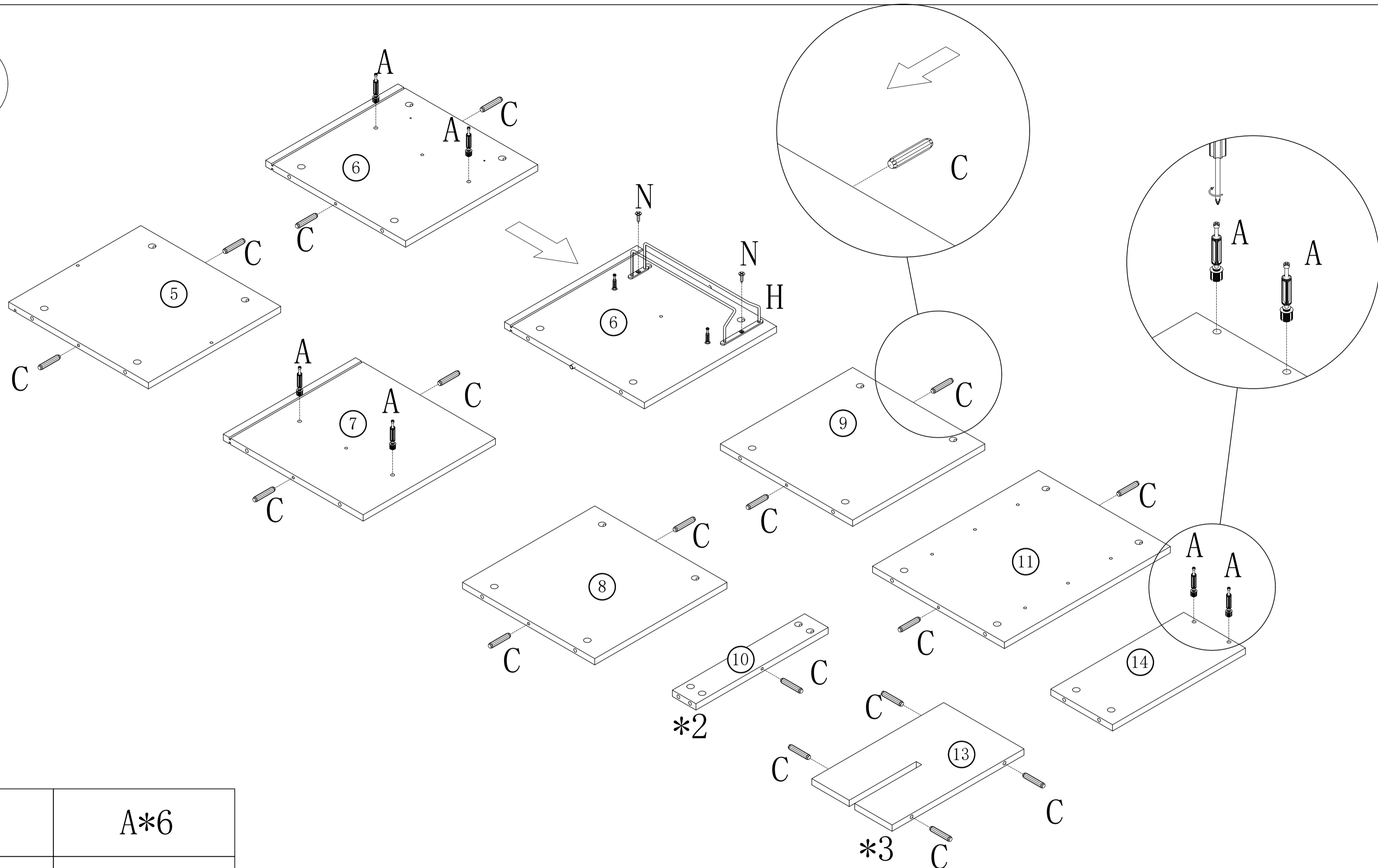
| | |
|---|------|
|  | A*36 |
|  | K1*2 |
|  | N*4 |

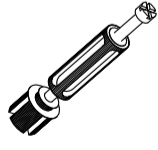
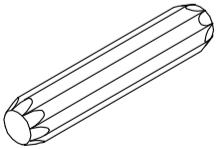
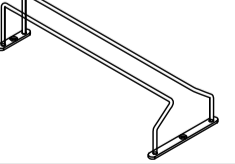
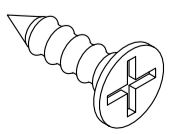
put A on board

3

4

3

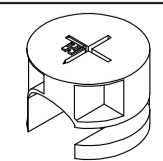
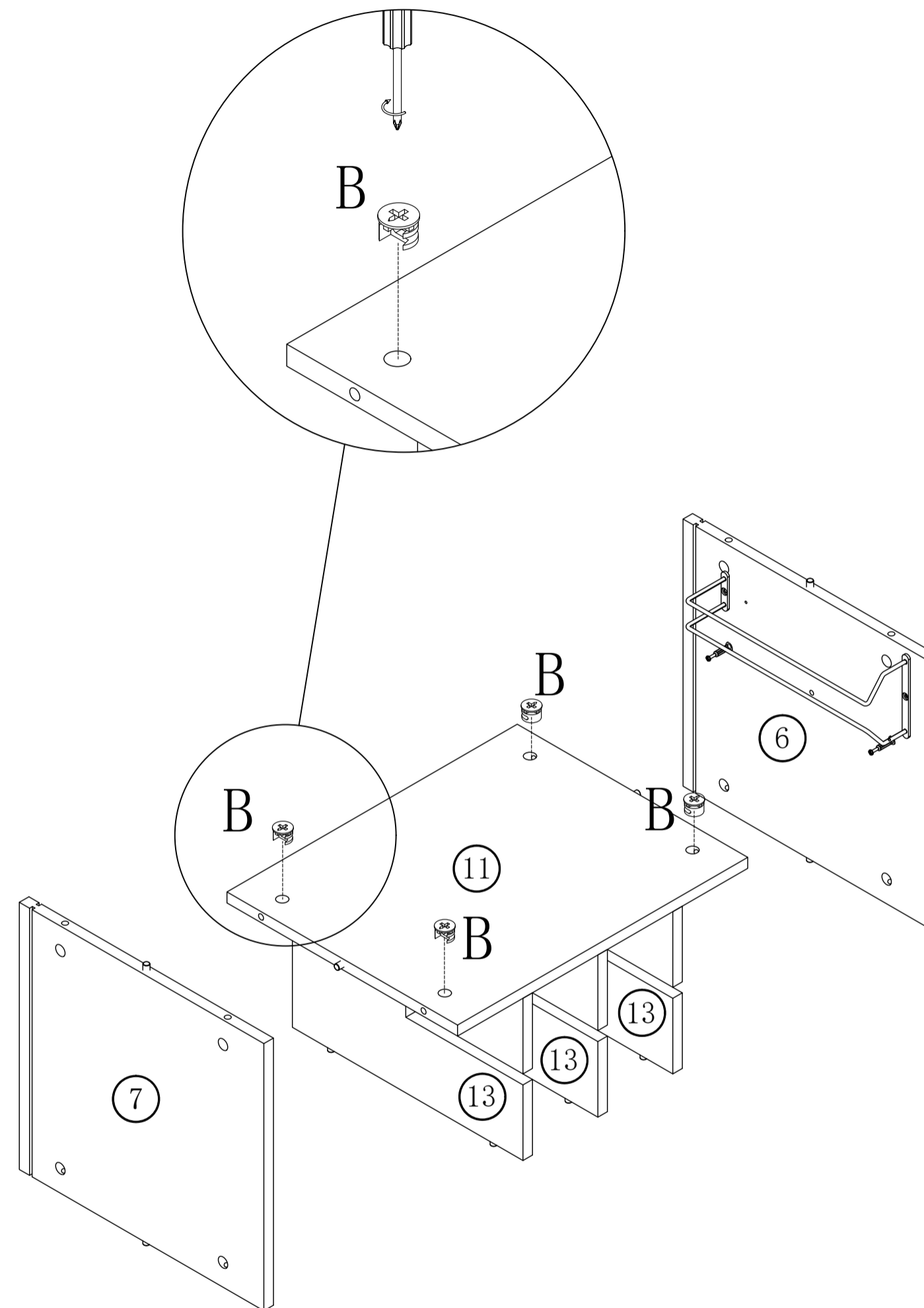
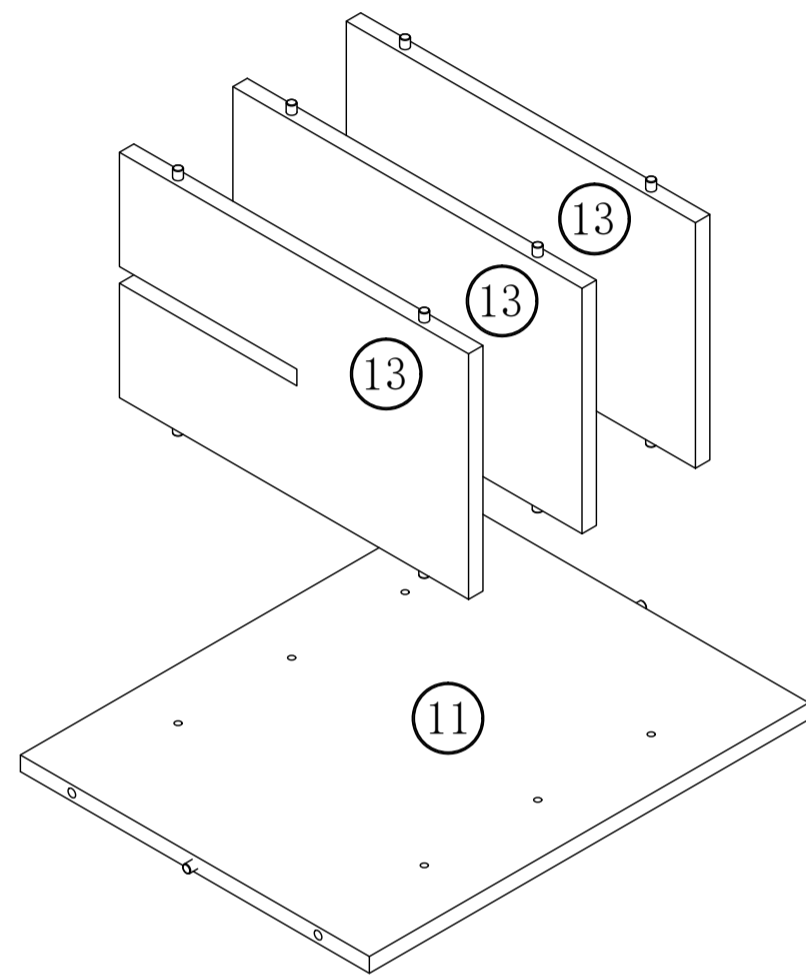


| | |
|---|------|
|  | A*6 |
|  | C*26 |
|  | H*1 |
|  | N*2 |

put A on board
 put C on board

- ⑥ ⑦ ⑭
 ⑤ ⑥ ⑦ ⑧ ⑨ ⑩ ⑪ ⑬

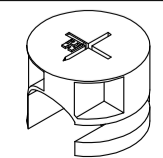
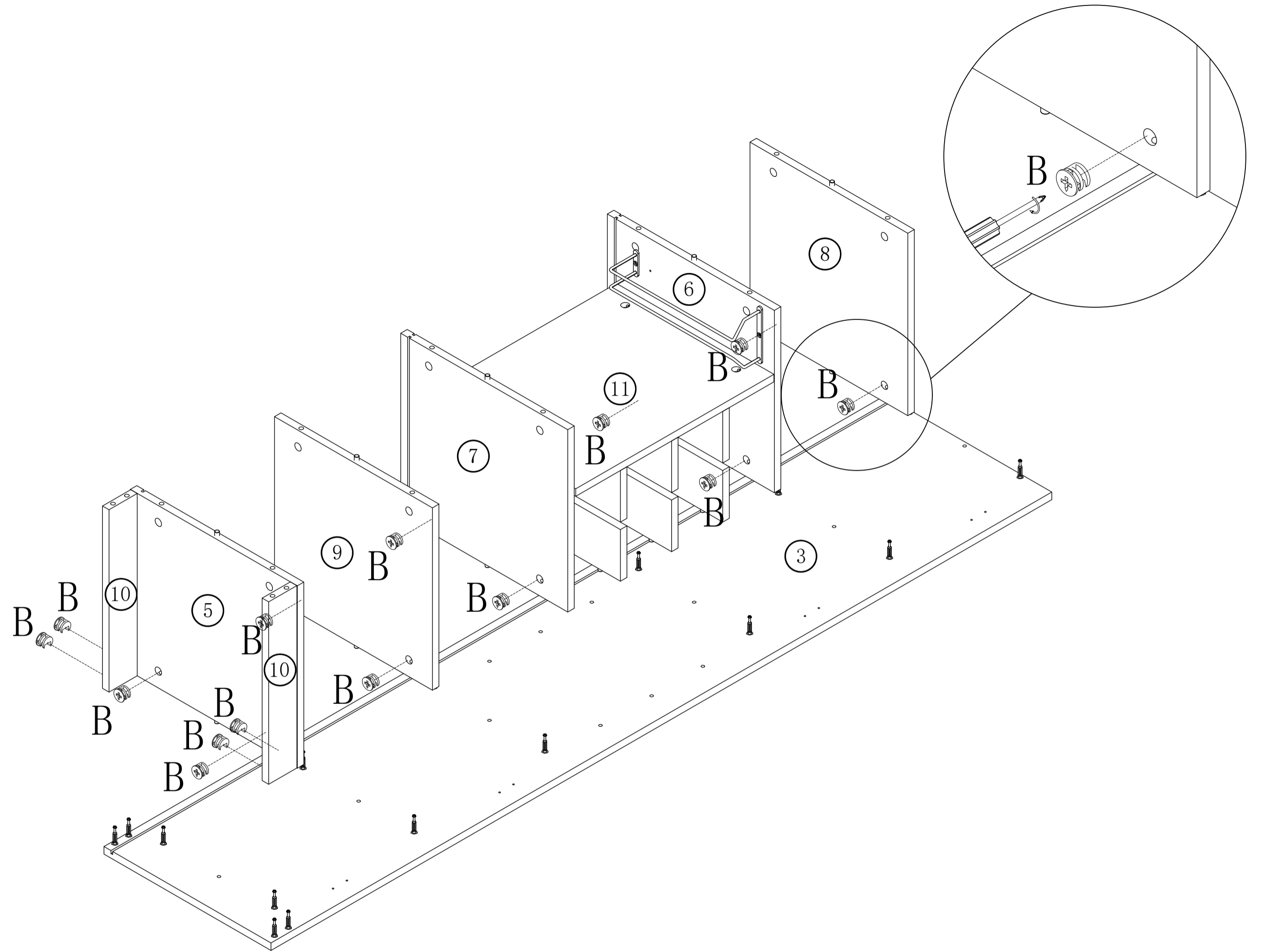
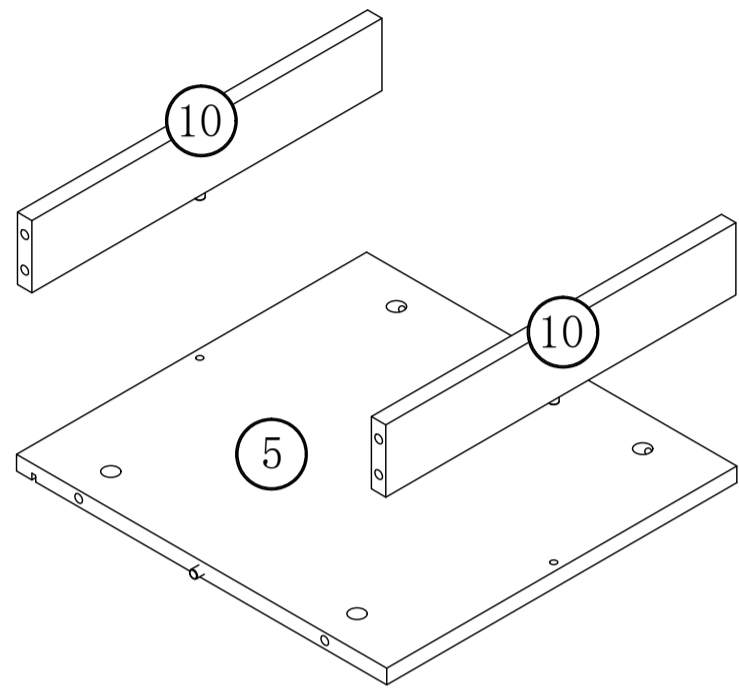
5



B*4

put B on board 11

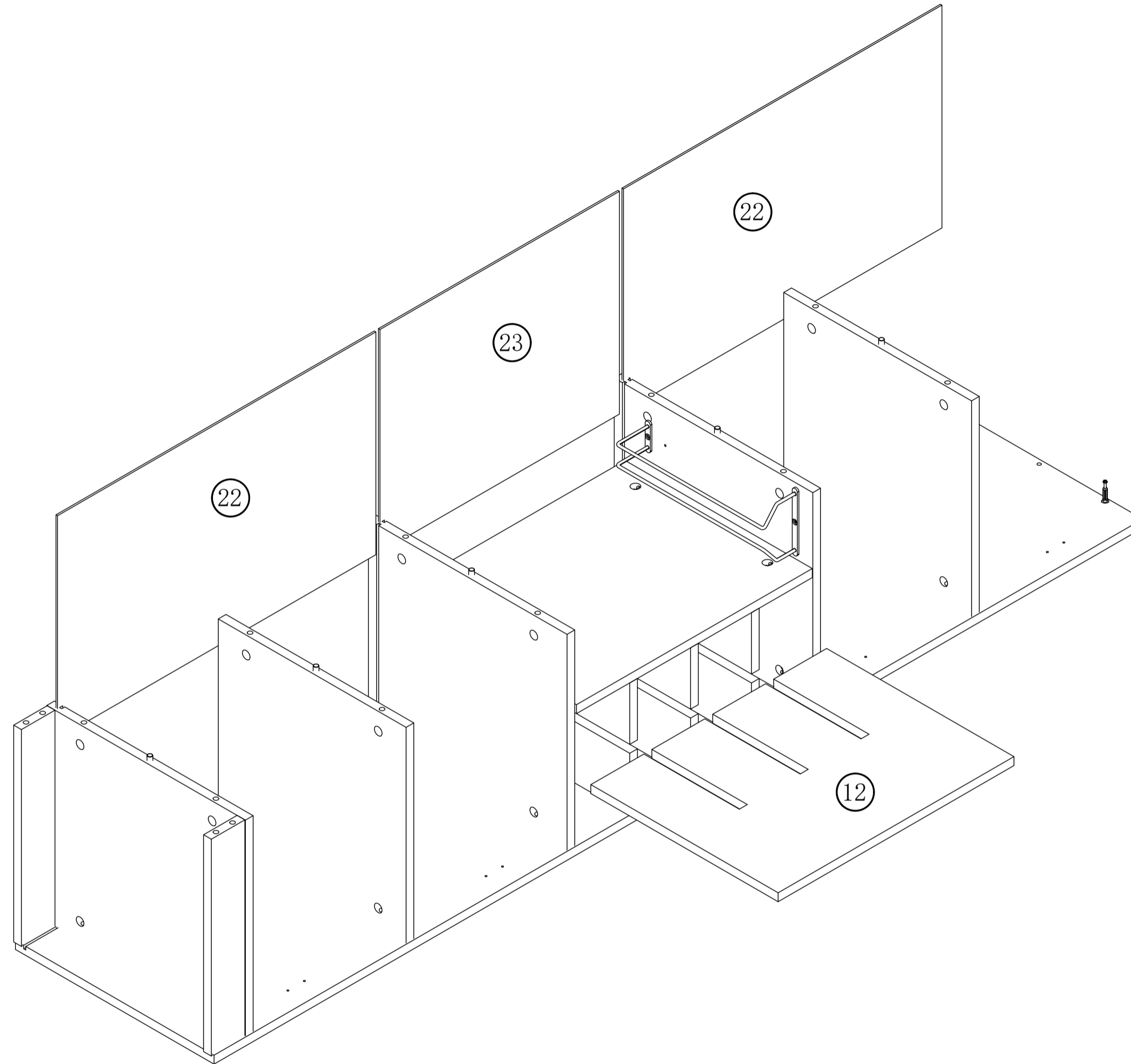
6



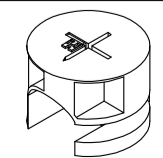
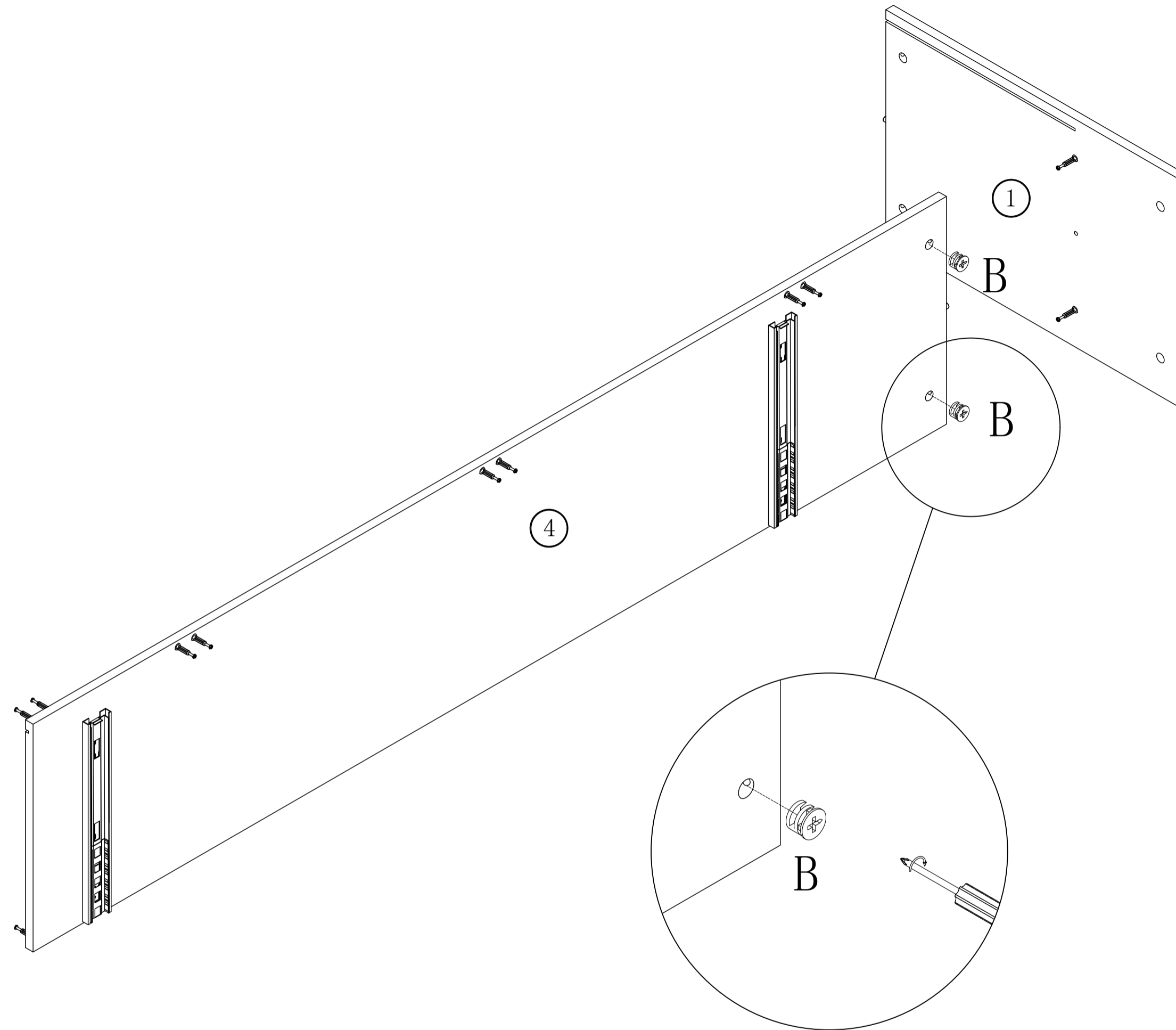
B*14

put B on board 5 6 7 8 9 10

7



8



B*2

put B on board

5

6

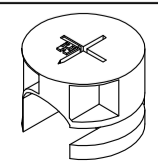
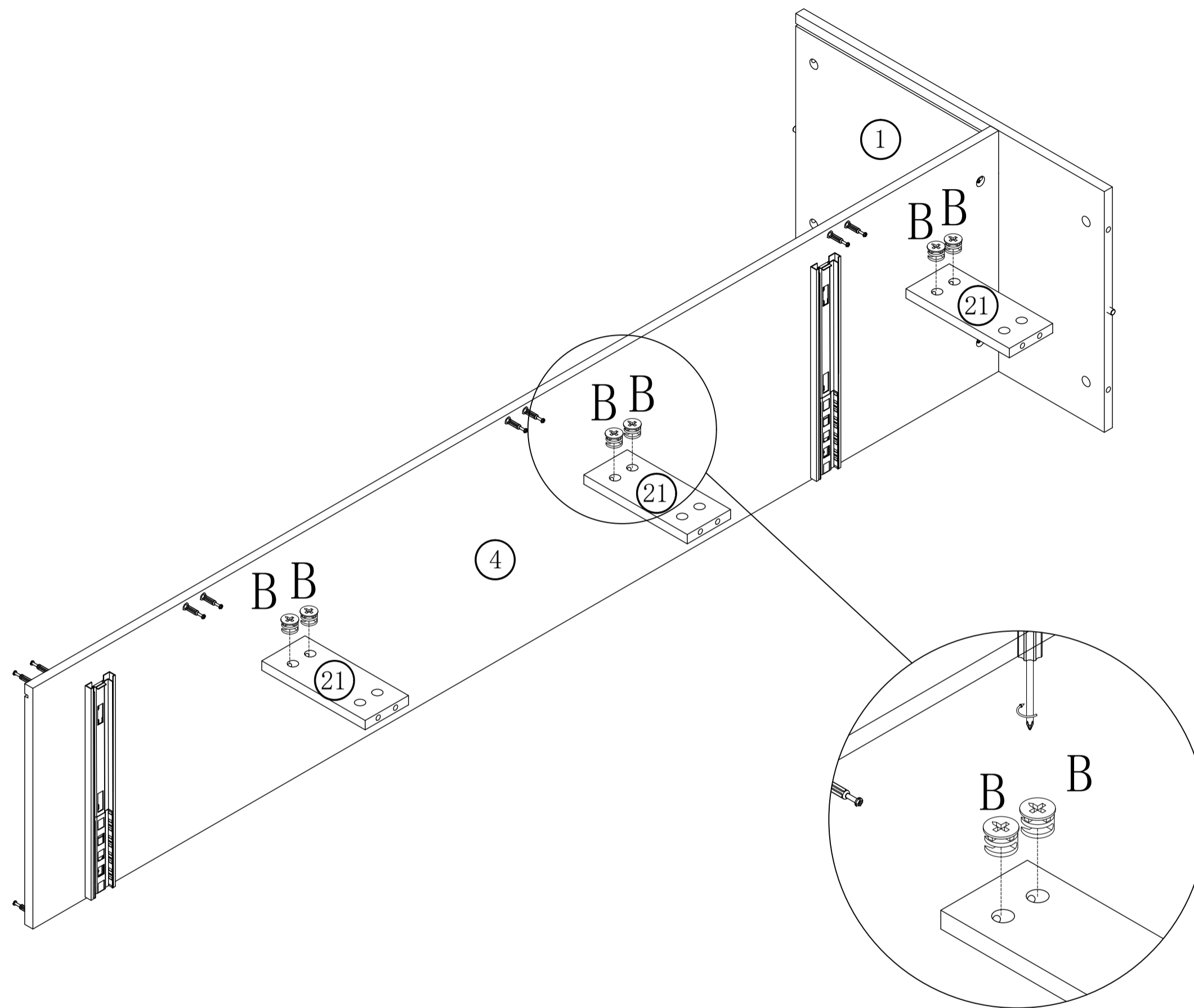
7

8

9

10

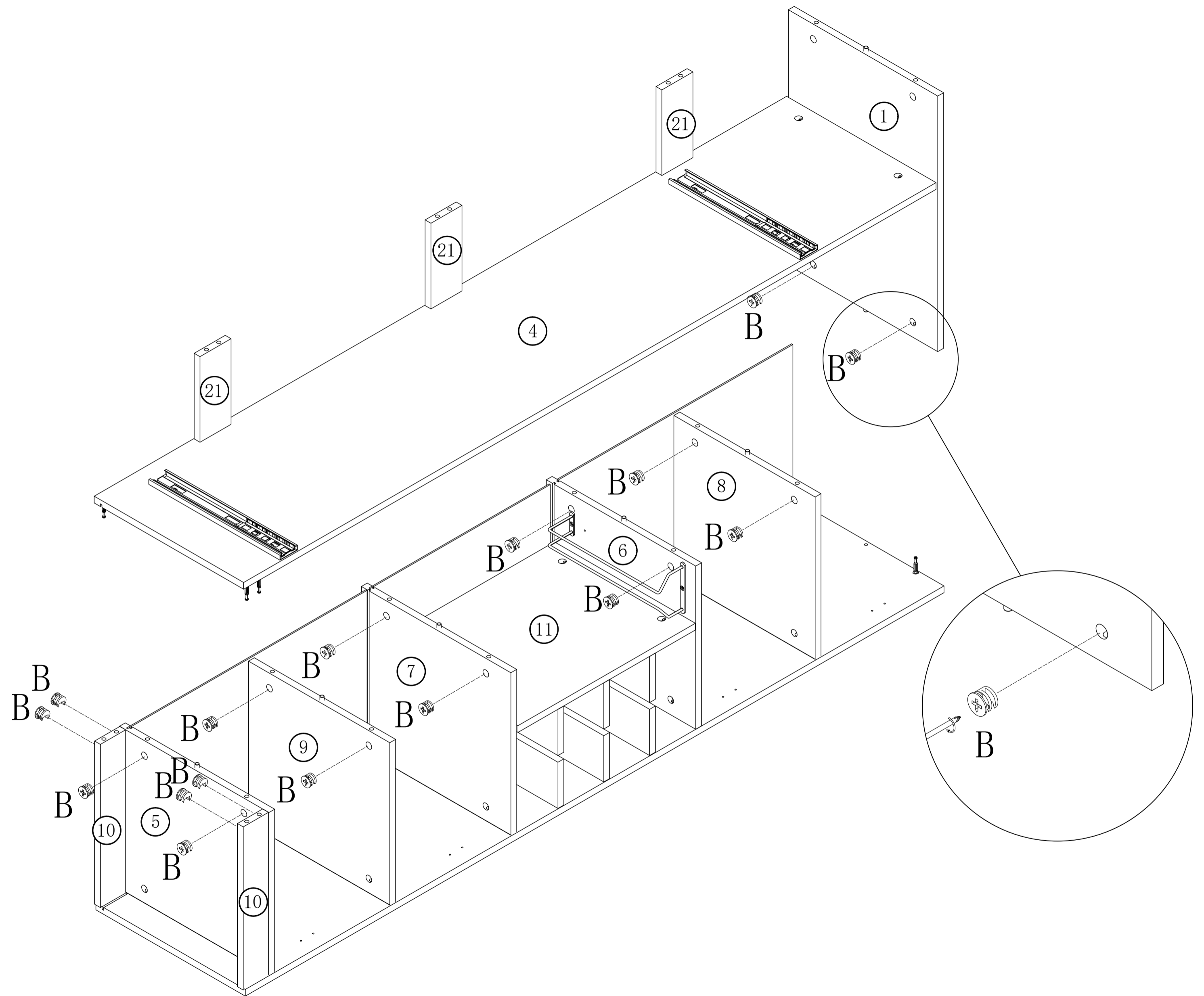
9



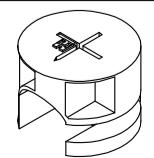
B*6

put B on board (21)

10

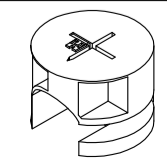
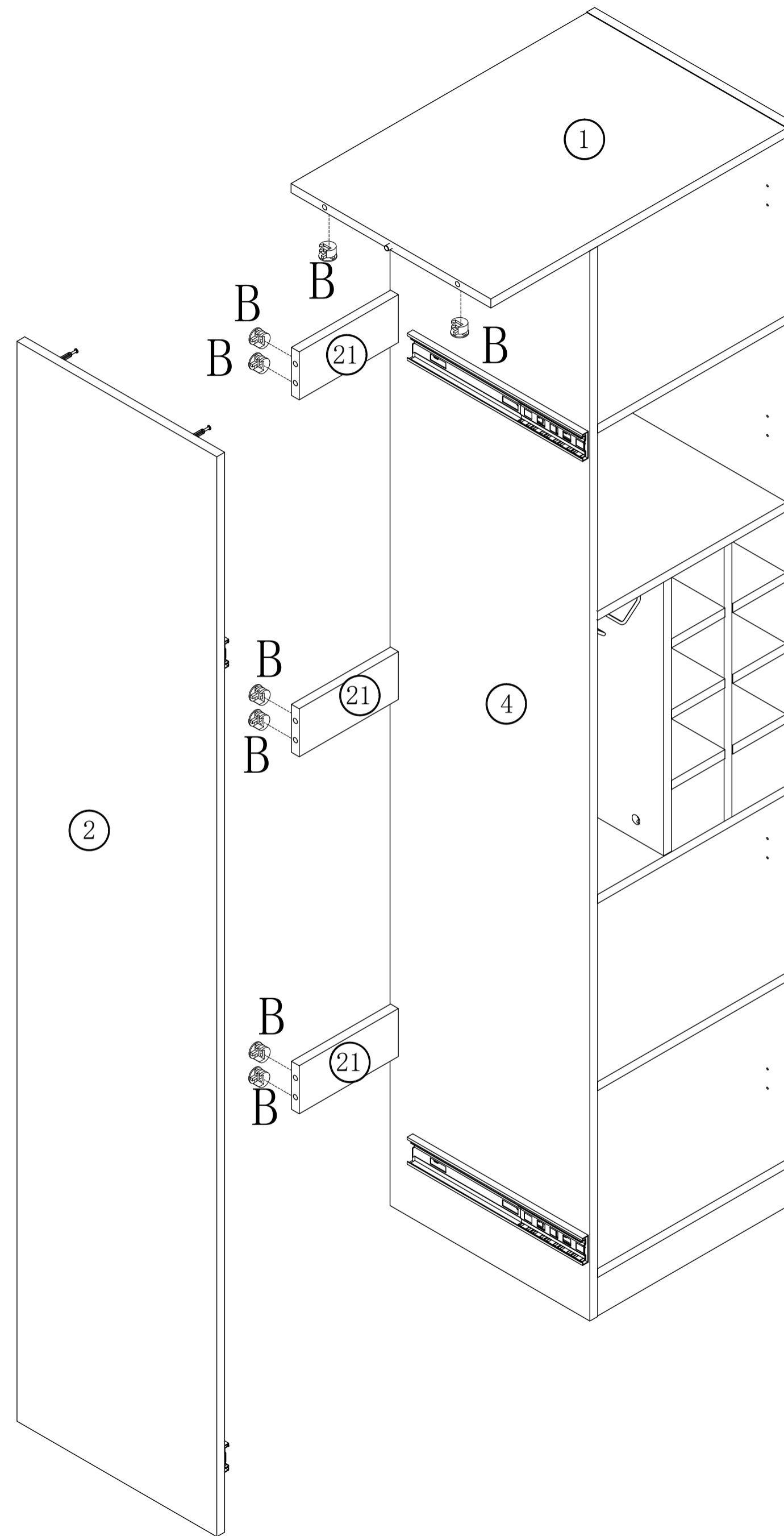


put B on board ① ⑤ ⑥ ⑦ ⑧ ⑨ ⑩



B*16

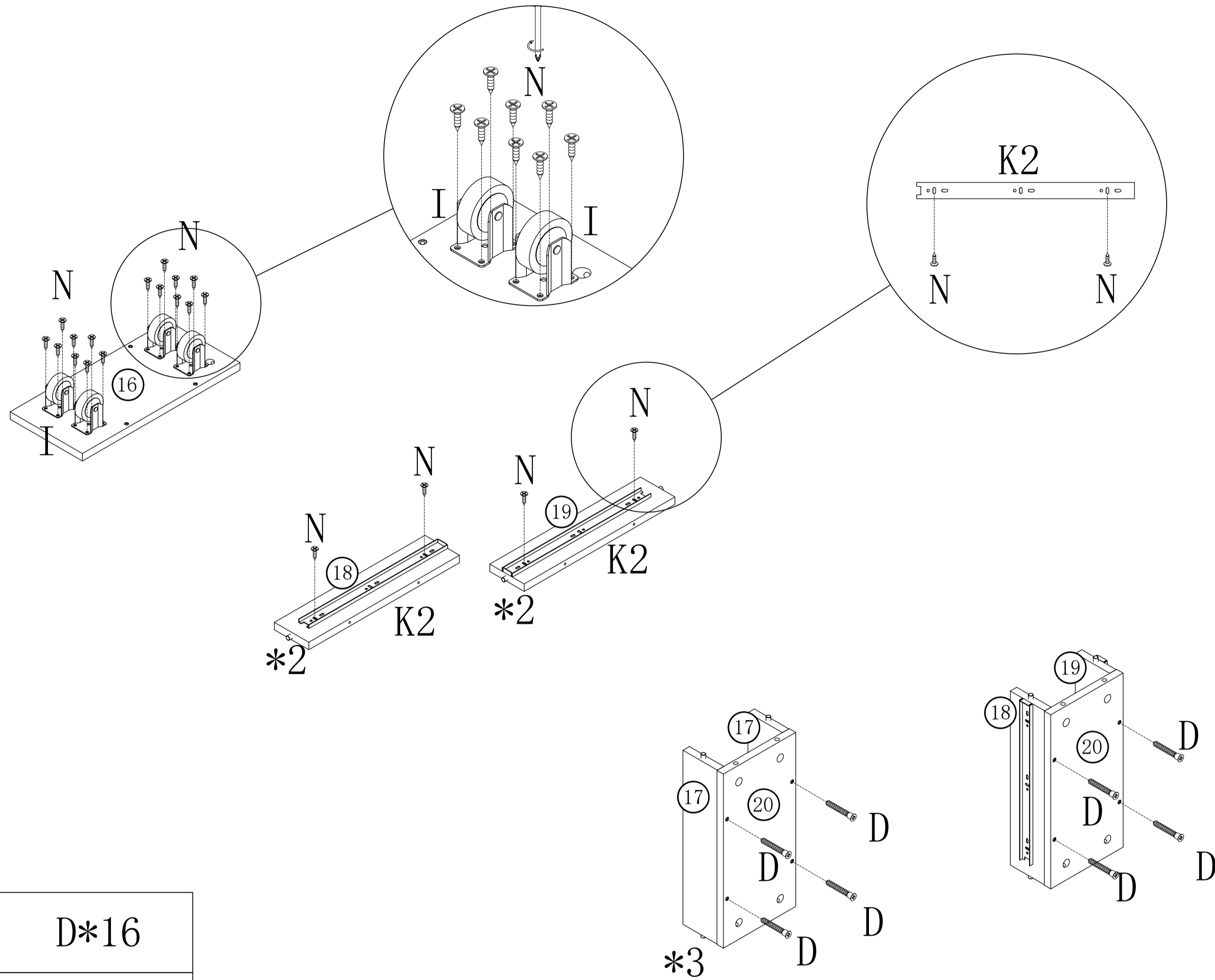
11

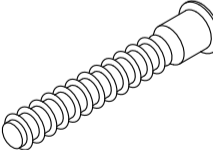
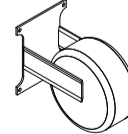
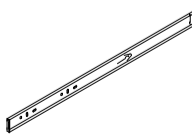
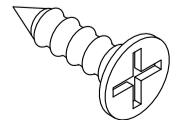


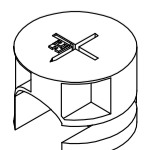
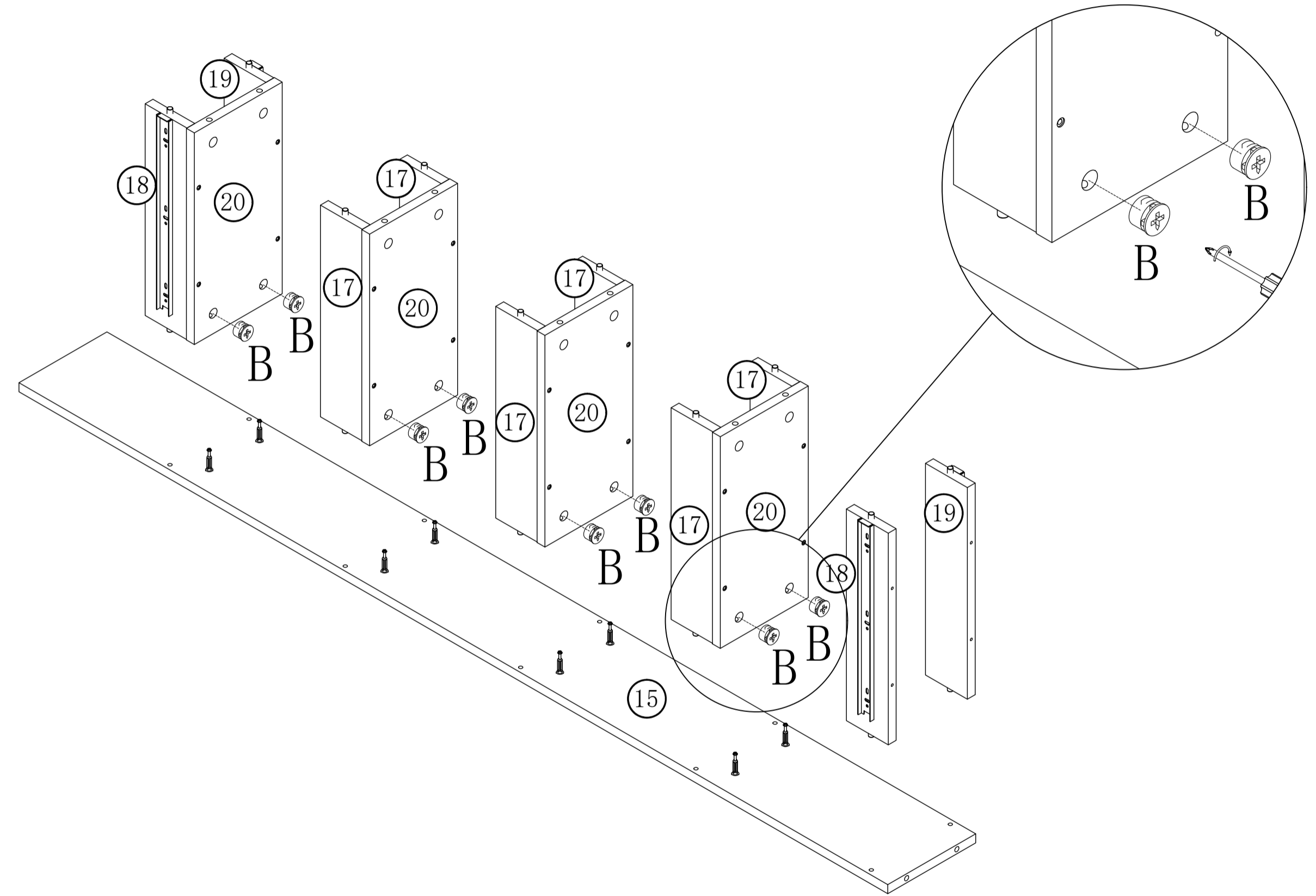
B*8

put B on board (21)

12



| | |
|---|------|
|  | D*16 |
|  | I*4 |
|  | K2*4 |
|  | N*24 |

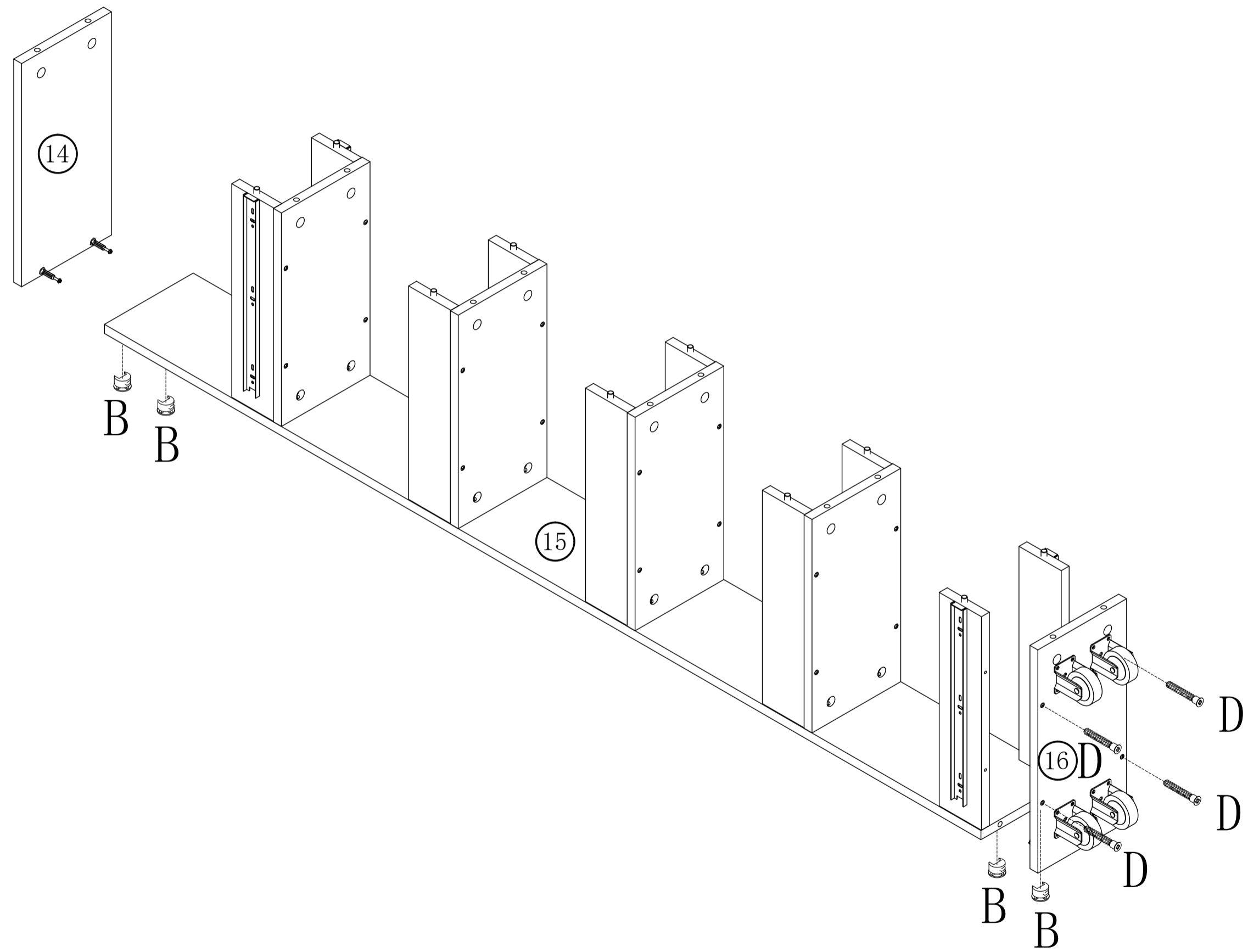


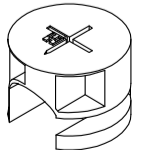
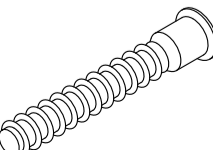
B*8

put B on board 20



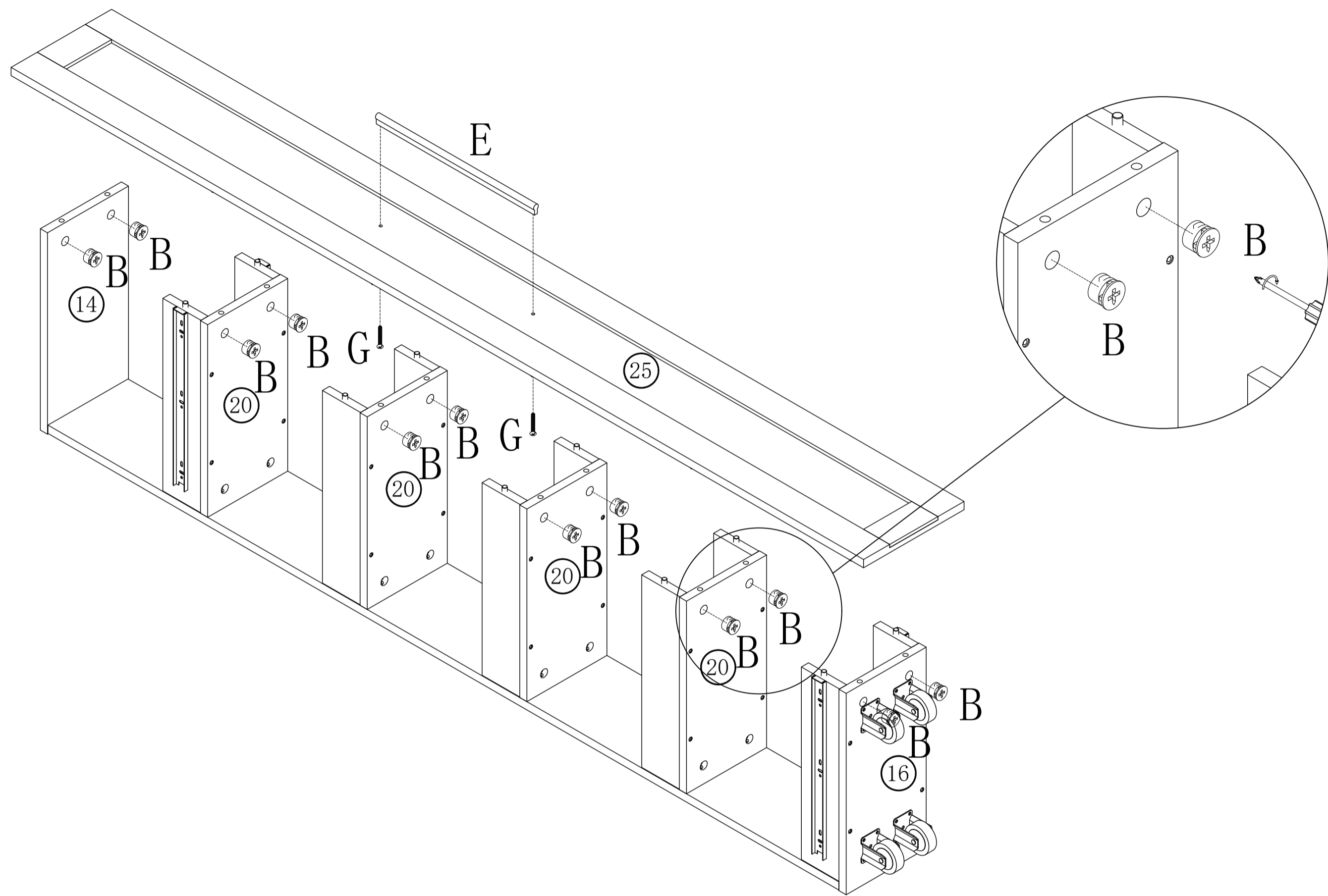
14

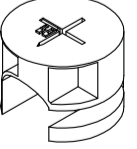
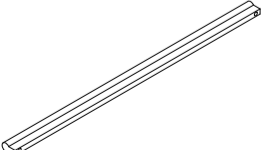
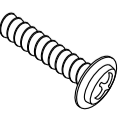


| | |
|---|-----|
|  | B*4 |
|  | D*4 |

put B on board 15

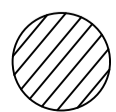
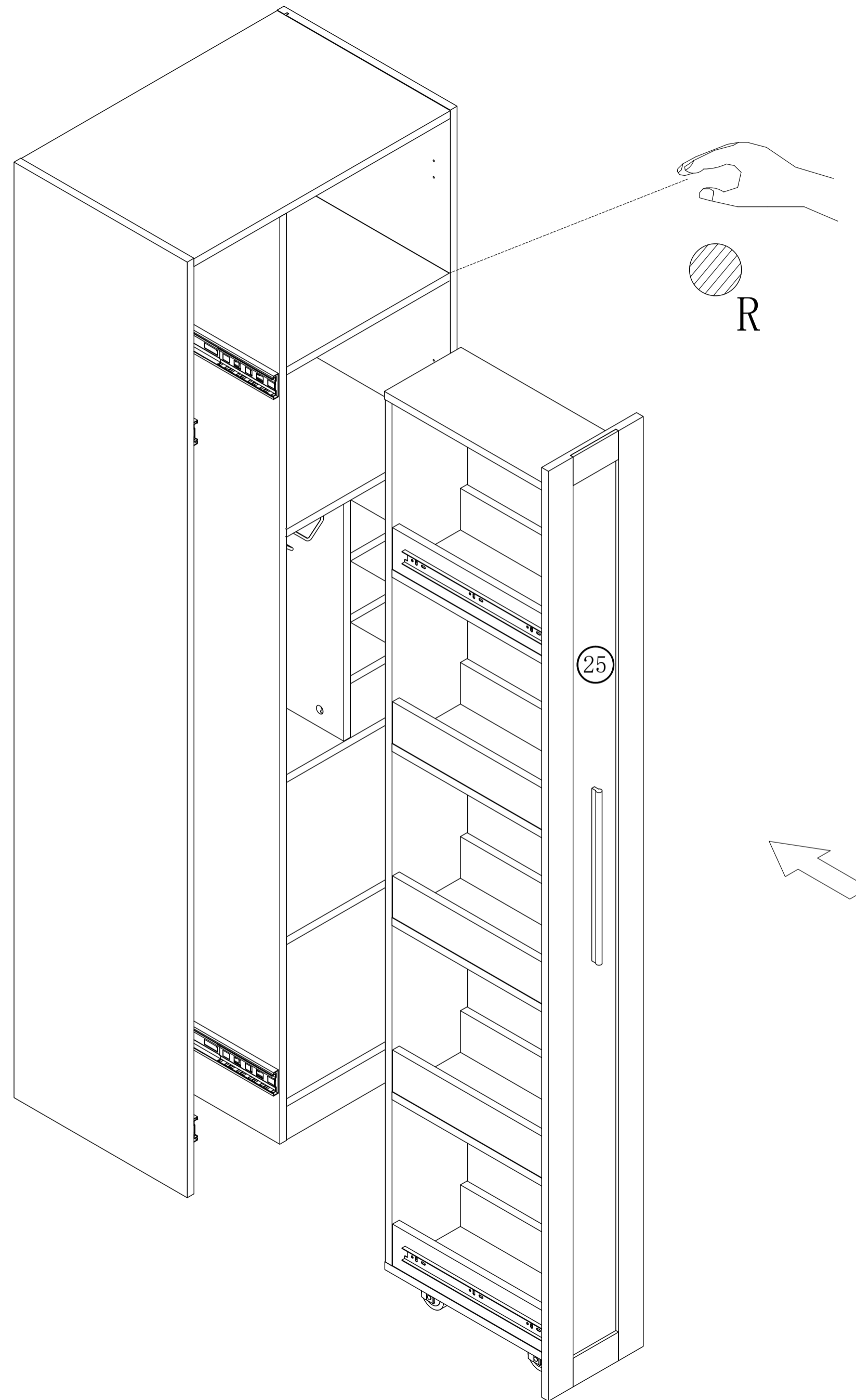
15



| | |
|---|------|
|  | B*12 |
|  | E*1 |
|  | G*2 |

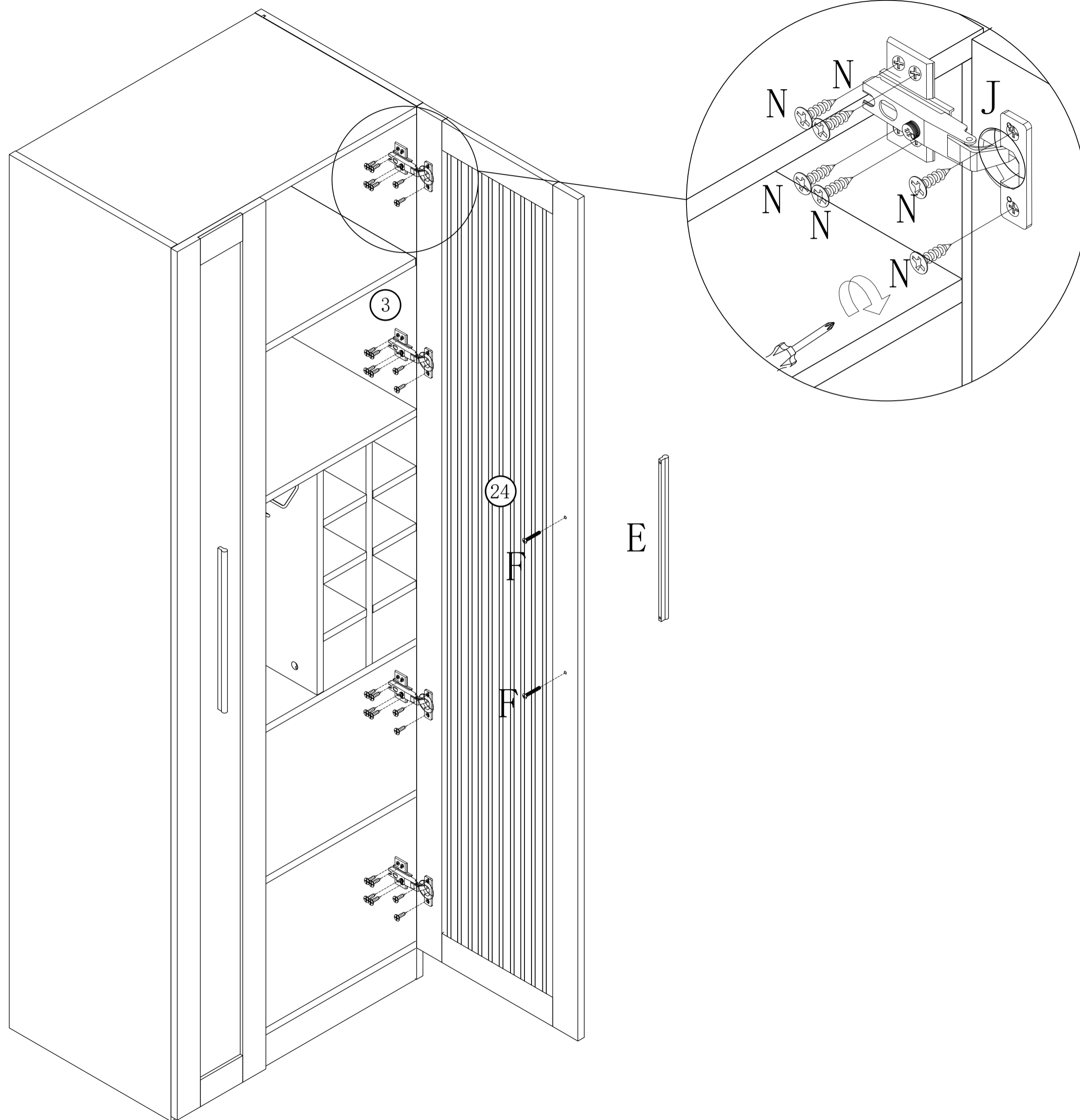
put B on board (14) (16) (20)

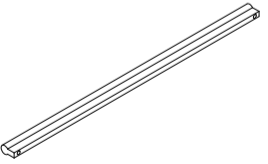

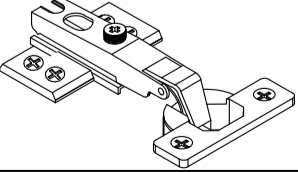
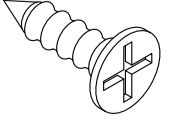
16



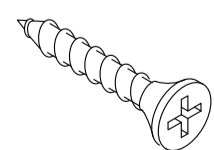
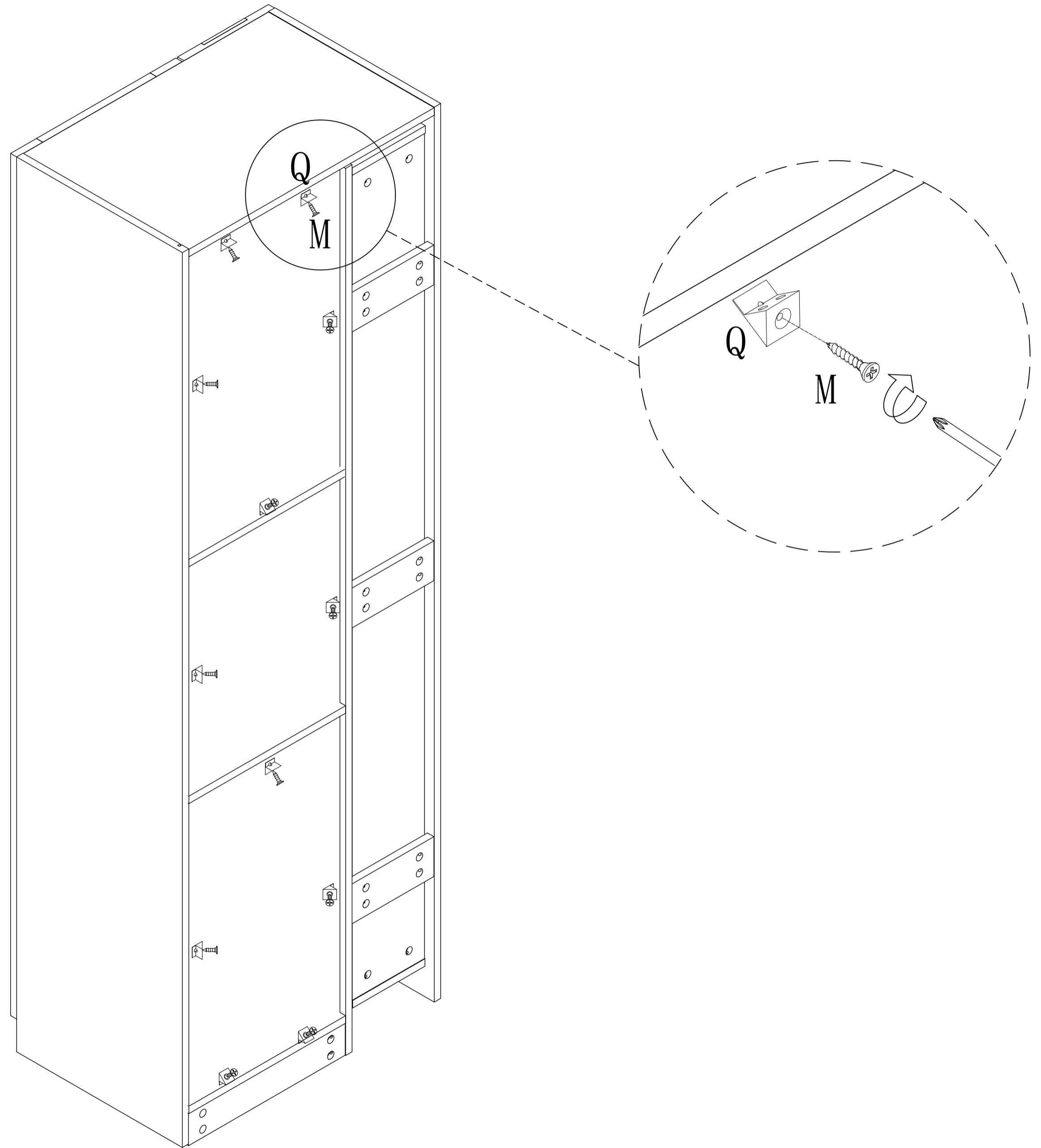
R*62

17

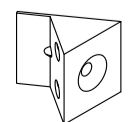


| | |
|---|------|
|  | E*1 |
|  | F*2 |
|  | J*4 |
|  | N*24 |

18

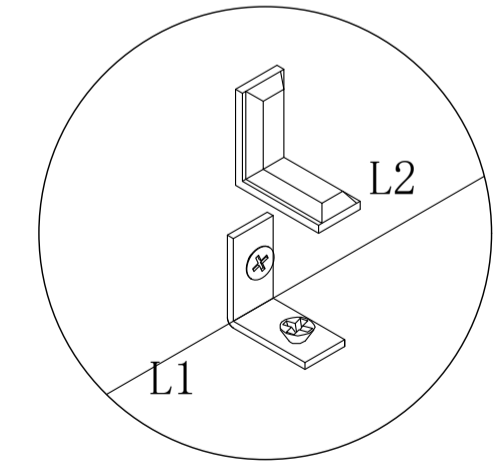
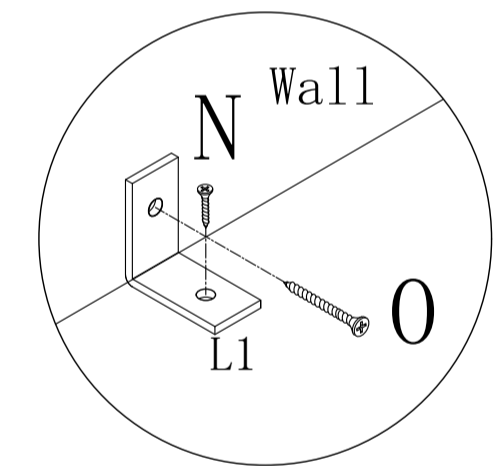
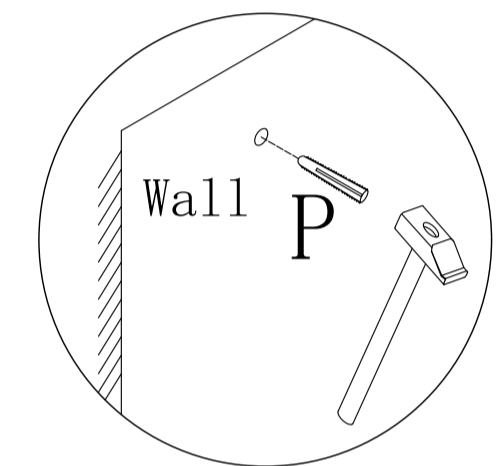
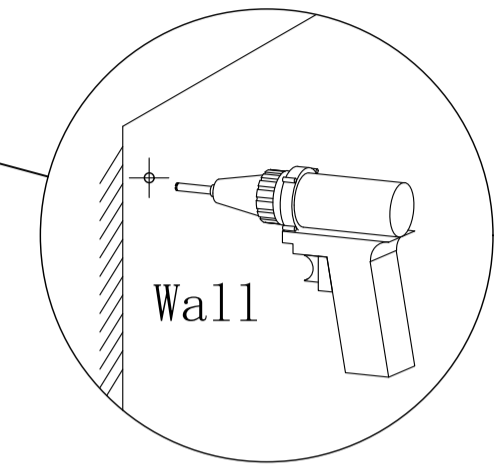
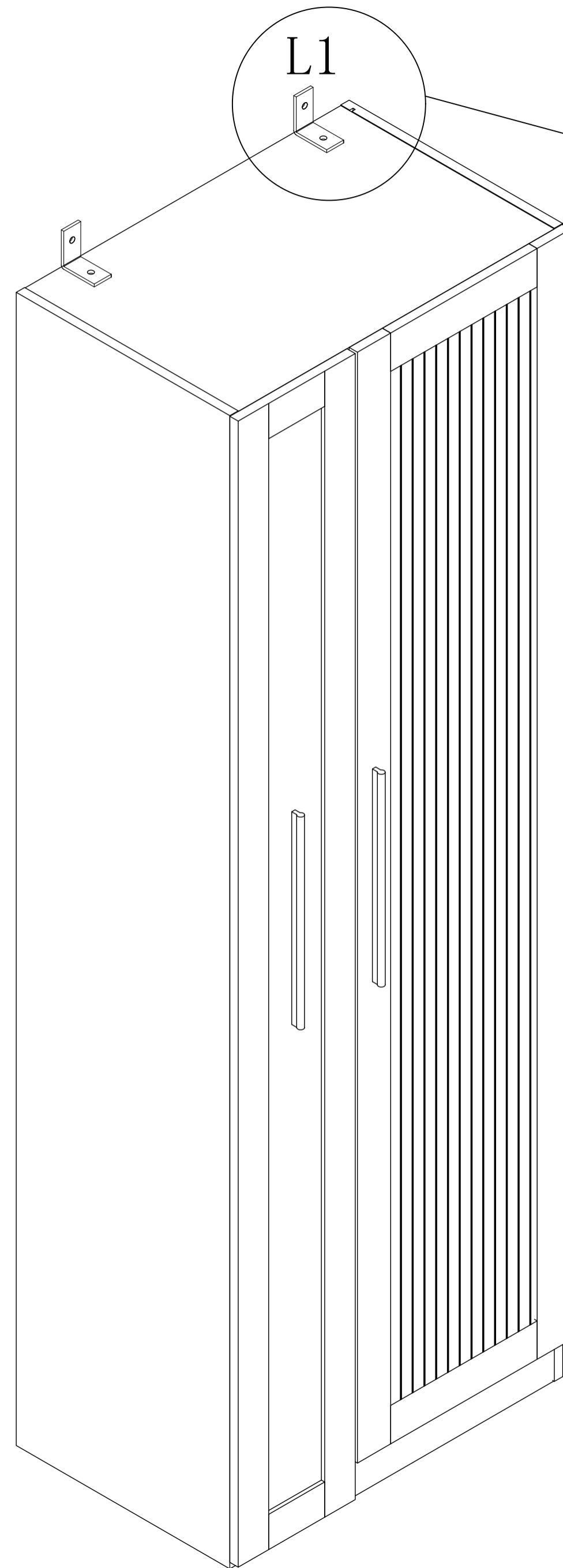


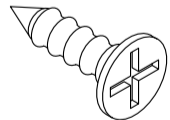
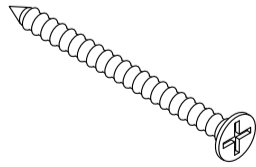
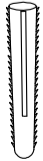
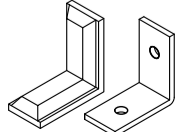
M*12



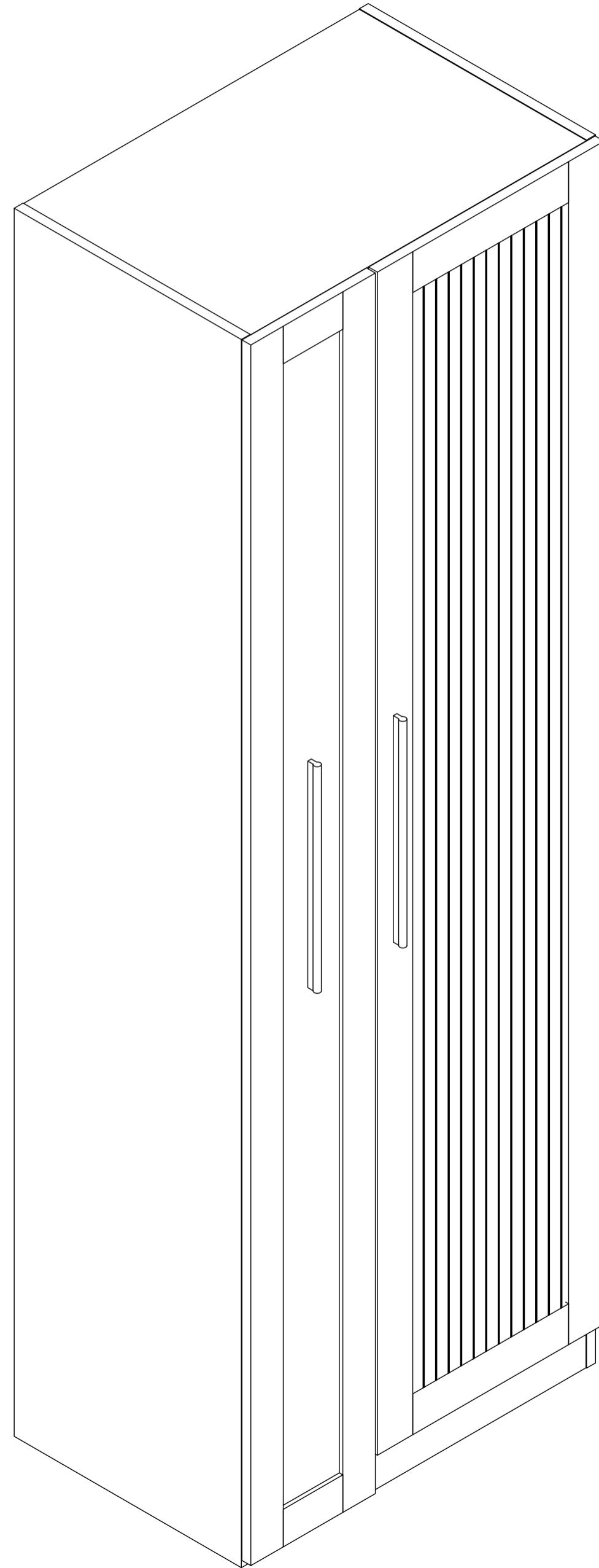
Q*12

19



| | |
|---|-----|
|  | N*2 |
|  | O*2 |
|  | P*2 |
|  | L*2 |

20



END