








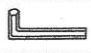
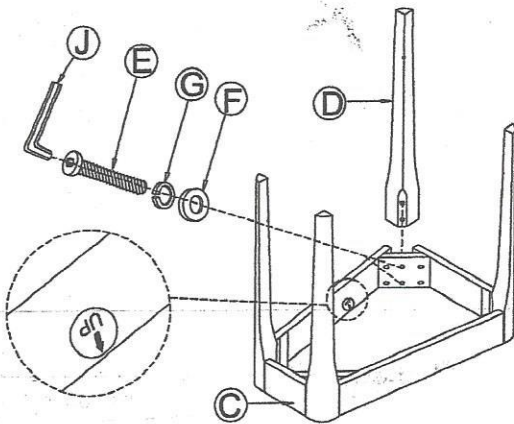


Assembly Instructions, Recliner Wedge Table

A: Glass Top		F: (8) Flat Washers 
B: Shelf		G: (8) Lock Washers 
C: Side Frame		H: (6) Suction cups 
D: (4) Legs		I: (4) Shelf Supports 
E: (8) Bolts		J: Allen Wrench 

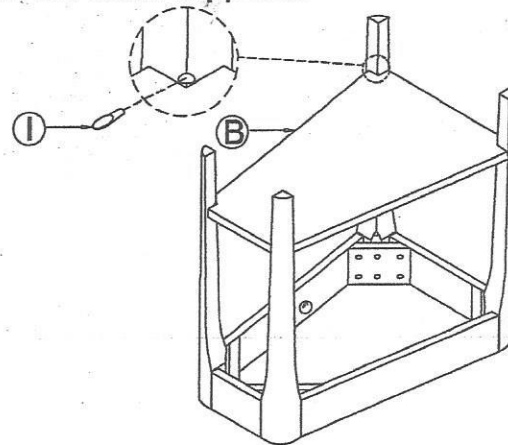
Step 1

Fasten the four legs to the side frame with parts (E, G & F). Tighten.



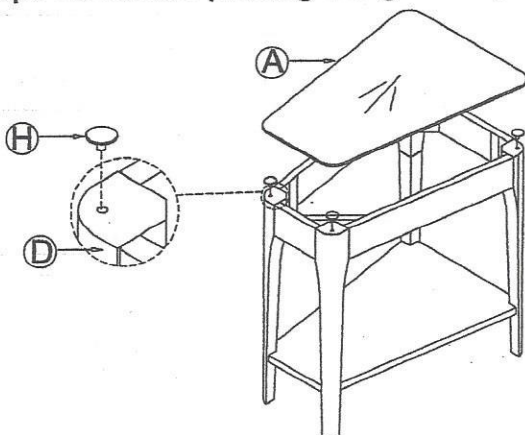
Step 2

Place the shelf upside down into the table. Insert the shelf supports.



Step 3

Place the table right side up. Put the suction cups on before placing the glass top.



Step 4

