

NOTICE

- * Please make sure that you have all parts indicated and they are in good condition before you begin assembly of this item. Refer to part list and hardware list below for guidance.
- * This item should be assembled on a soft surface to prevent scratching the finish during assembly.
- * This item may require periodic tightening.
- * If you are having difficulty, our friendly Customer Care team is always here to help. Please email customersupport@safavieh.com










PREPARATION

- * Before beginning assembly of product, make sure all parts are present. Compare parts with part contents list and hardware contents list.
- * If any part is missing or damaged, do not attempt to assemble the product.
- * Estimated Assembly Time: 20 minutes.
- * Tools Required for Assembly (included): Allen Key
- * Require 2 person for assembly.

CARE AND MAINTENANCE

- Blot up spills immediately, always use coasters on table tops under beverages. Use trivets or mats under hot dishes or cookware. Clean with warm water and dry surface immediately after cleaning. Do not use cleaners that contain acid such as bathroom cleaners, grout cleaner, and tile cleaners. Do not use abrasive cleaners in either dry or liquid forms. Use a cleaner and polish formulated for marble surfaces.
- Always use felt pads under all articles to prevent discoloration or softening of the lacquer. Plastic and rubber bases on items can discolor wood. Wipe up spills immediately and avoid common hazards such as hot dishes, harsh solvents and abrasives. Cleaning should be done with a soft lint free cotton cloth dampened with water or furniture polish. On highly used surfaces we recommend applying a quality paste wax which should be used on a regular basis to provide additional protection from scratches and spills. How often you apply the wax depends on how much wear the furniture receives.

PARTS & HARDWARE LIST

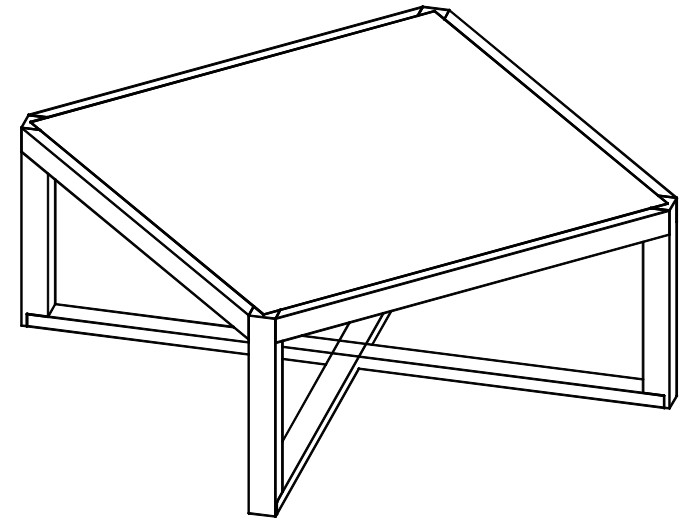
Piece	Description	Picture	Quantity	Carton Call
A	Marble Top		1x	1 of 2
B	Vertical Support		4x	2 of 2
C	Top Wooden Frame		1x	2 of 2
D	Bottom Wooden Frame		1x	2 of 2
HW1	JCB Bolt (40x8mm)		4x	1 of 2
HW2	Flat Washer (25x8mm)		8x	1 of 2
HW3	SH Bolts (60x8mm)		4x	1 of 2
HW4	Allen Key (5mm)		1x	1 of 2
HW5	Allen Key (6mm)		1x	1 of 2

SAFAVIEH

C O U T U R E

ITEM ID : SFV9744

PRODUCT DIMENSION : 35.4"WX35.4"Dx16"H



⚠ WARNING ⚠

Weight Capacity : 105 lbs

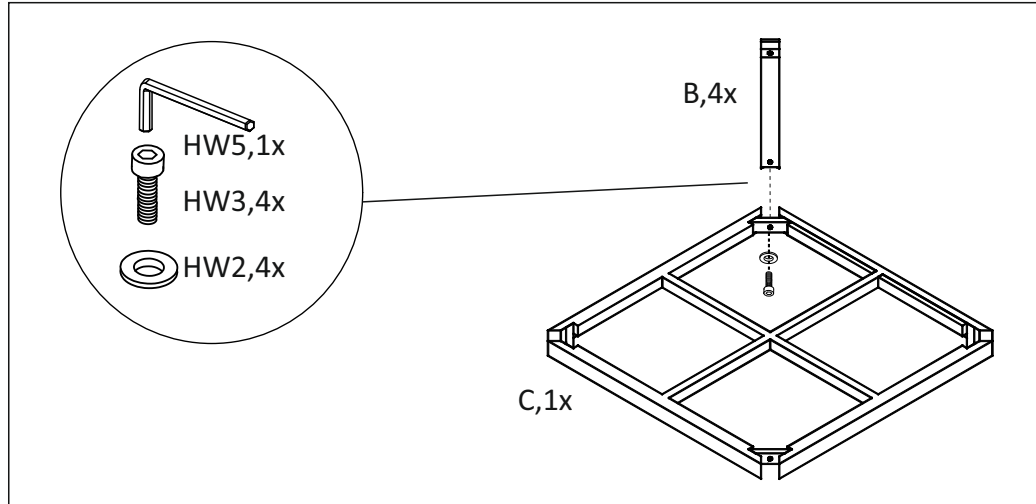
WARNING : DO NOT STAND/SIT ON COFFEE TABLE

WARNING : DO NOT DRAG COFFEE TABLE

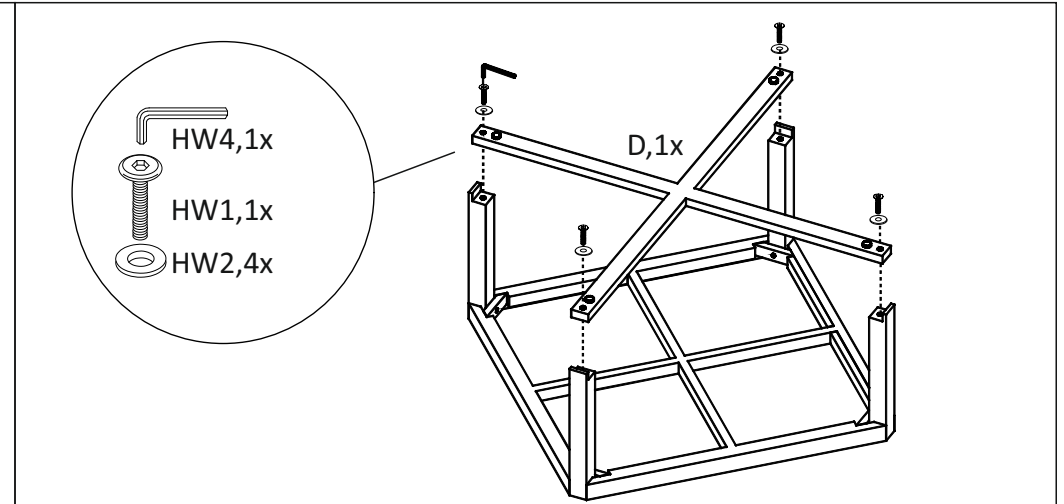
WARNING : HEAVY PRODUCT

PREPARATION

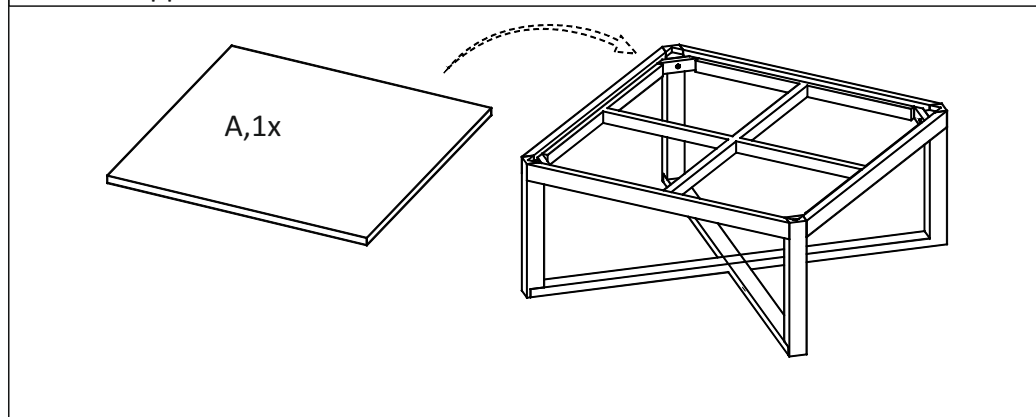
- * Before beginning assembly of product, make sure all parts are present. Compare parts with part contents list and hardware contents list.
- * If any part is missing or damaged, do not attempt to assemble the product.
- * Estimated Assembly Time: 20 minutes.
- * Tools Required for Assembly (included): Allen Key
- * If you are having difficulty, our friendly Customer Care team is always here to help. Please email customersupport@safavieh.com



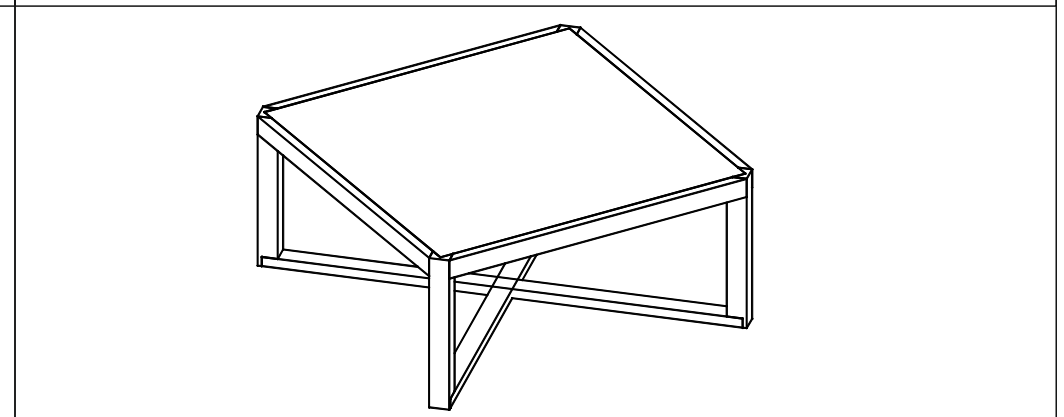
STEP 1: Place the Top Frame (C) upside down on a flat, soft surface. Place the Flat Washer (HW2) on the SH Bolts (HW3). Align the holes on the Vertical support (B) to the holes on the Top Frame (C). Use the Allen key (HW5) to screw in the bolts and attach the vertical support to the top frame. Repeat for the rest of the vertical supports.



STEP 2: Align the screw holes on the Bottom Frame (D) to the screw holes on the Vertical Supports (B). Use the Allen Key (HW4) to screw in the JCB bolts (HW1) with the Flat Washers (HW2) as shown. Turn the assembled base upright.



STEP 3: Place the assembled base at desired location and gently slide the marble top (A) into place as shown.



STEP 4: Your product is now ready for use.