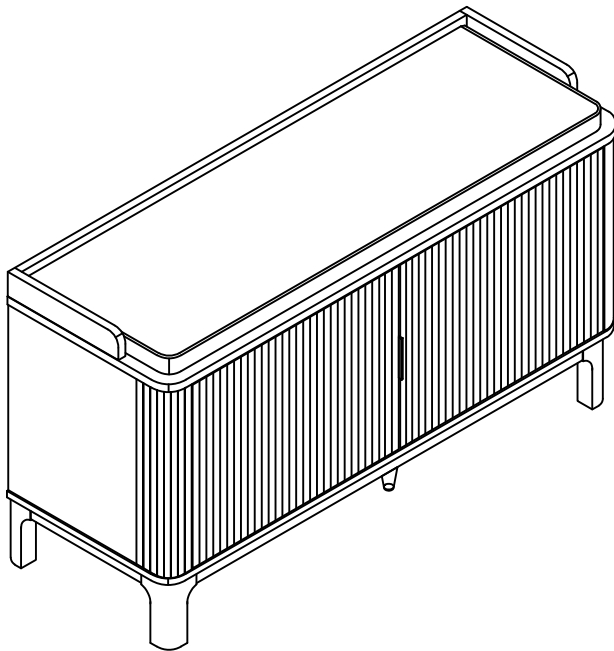


Instruction Book

For specification: 100cm(L)x35cm(W)x54cm(H)



Please don't tighten the screws completely and go back later for a final tightening of all the screws after pieces are aligned with each other. If you have any question, please feel free to contact us.

Foreword:

Thank you for choosing our product! We hope you have a good shopping experience! We aim to provide a 100% satisfaction product and customer service. If the received product has missing parts or components, arrived damaged, dissatisfaction with the order, or has questions about the assemble, please do not hesitate to contact us. Our customer service will reply within 12 hours.

Specifications:

Product name: Freestanding Armoire Wardrobe Closet

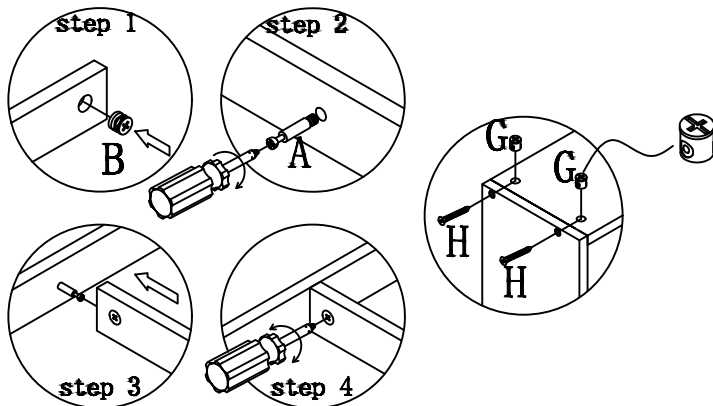
Model: 11003

Package Dimension: 43x17x7.1in/109x43x18cm














Product Size: 39.4x13.8x21.3in/100x35x54cm

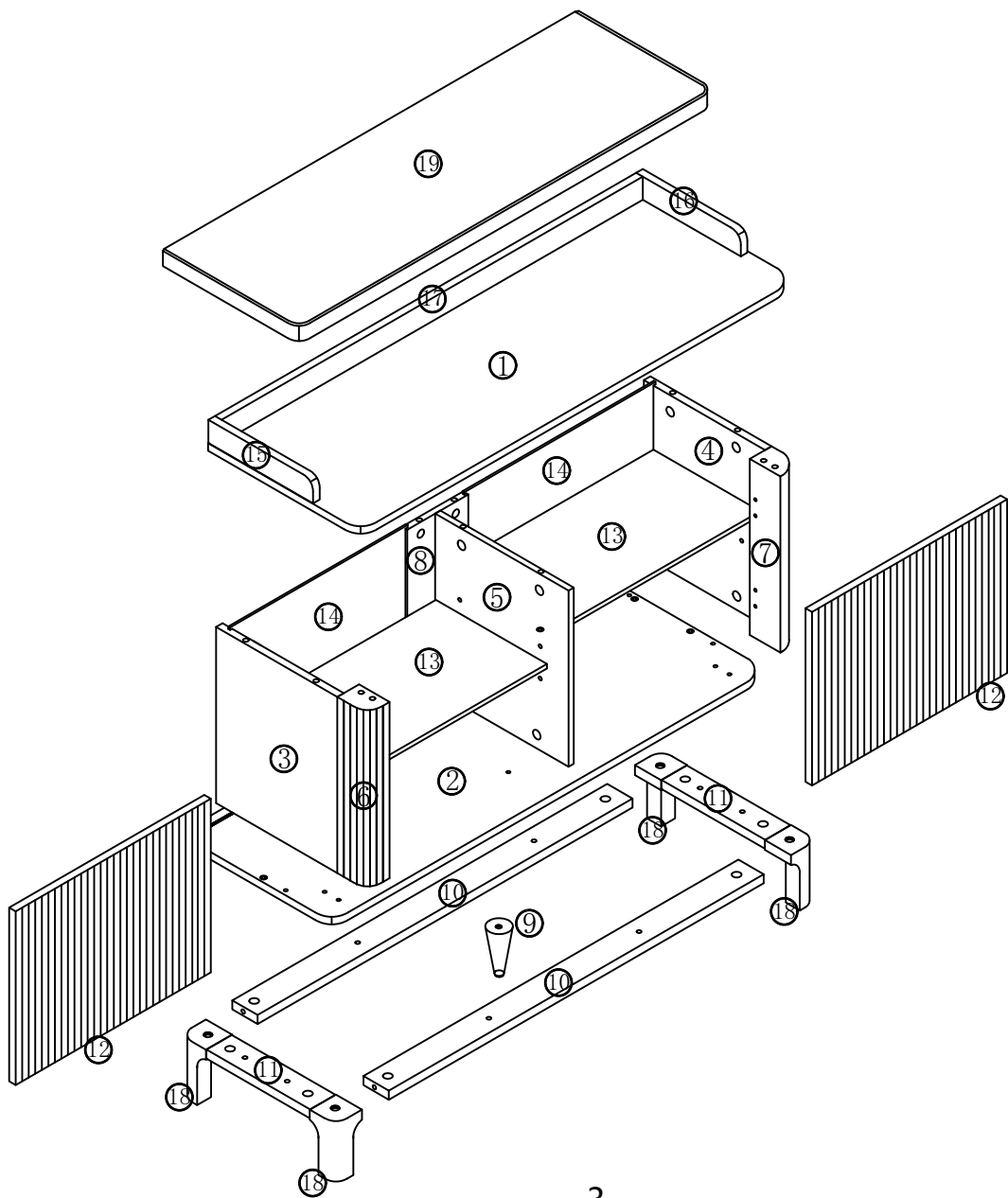
Weight: 48.71lb/22KG

A, B, G, H, C, D installation guide



Accessories

 Three-in-one screw A*28	 Three-in-one screw A2*4	 Three-in-one nut B*32	 Handle E*2	 Small Screw F*12	 Small Screw D*28
 Handle Screw V*5	 Small Screw H*7	 Mu Xiao N*8	 Laminate support T*8	 Steel foot nail M*5	 Door hinges O*4
 screwdriver Z*1					

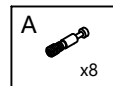
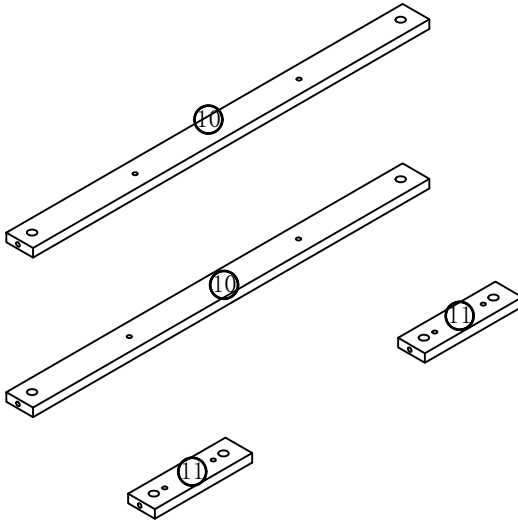
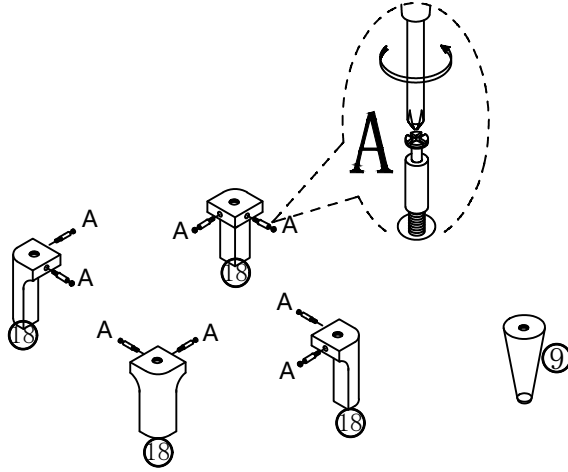


Guidelines for the use of 3-in-1 connecting rods:

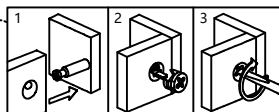
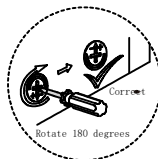
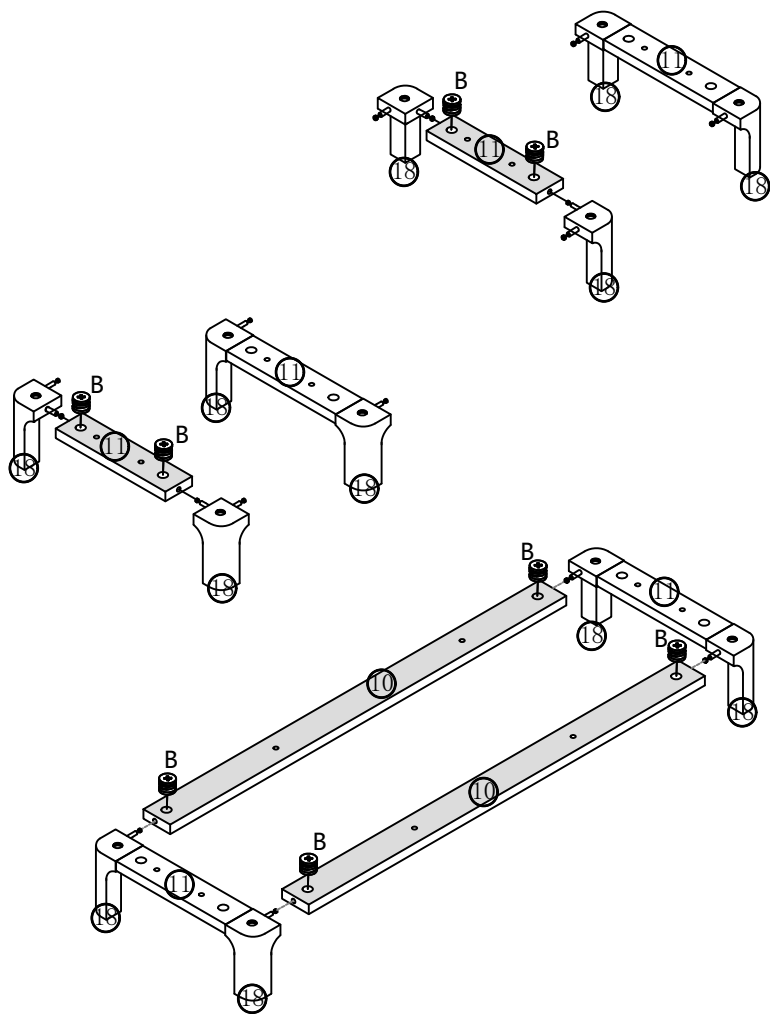
The blue screw cap at the bottom of the 3-in-1 connecting rod is twist-able, and it can be twisted clockwise or counterclockwise to fit the size of the reserved holes in the wooden board.

When you use this 3-in-1 connecting rod, if you find that it can't be inserted into the reserved holes on the wooden board, just loosen the blue screw cap a bit until it fits into the holes of the board. Then use a screwdriver to tighten the screws. Note: If the bottom blue screw cap is not stretched apart by the three-in-one connecting rod in the reserved hole, the connected part will appear unstable .

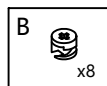
STEP 1



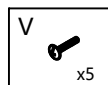
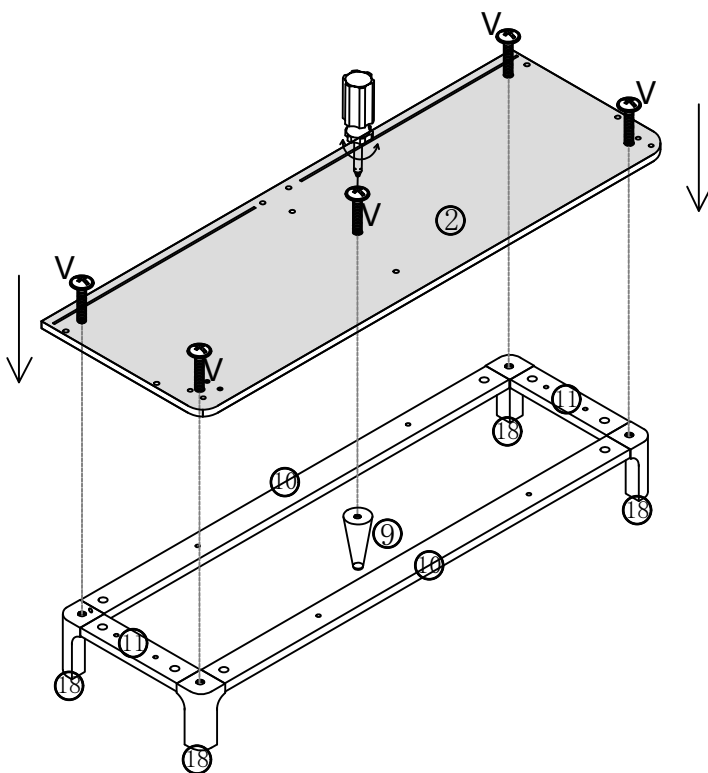
STEP 2



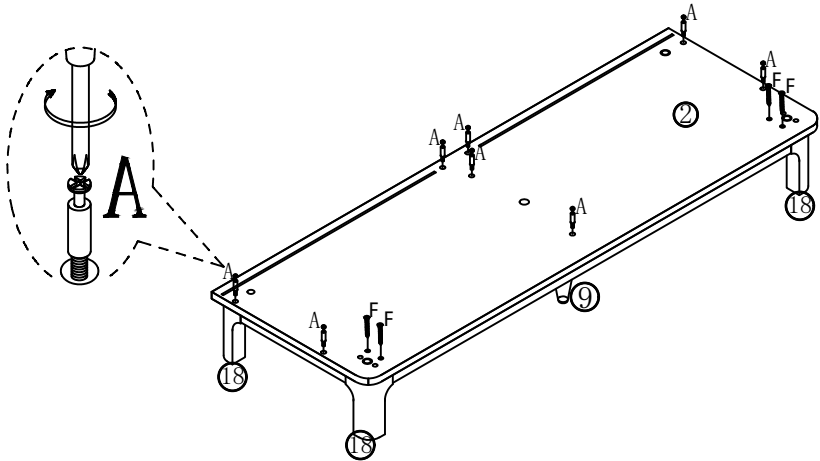
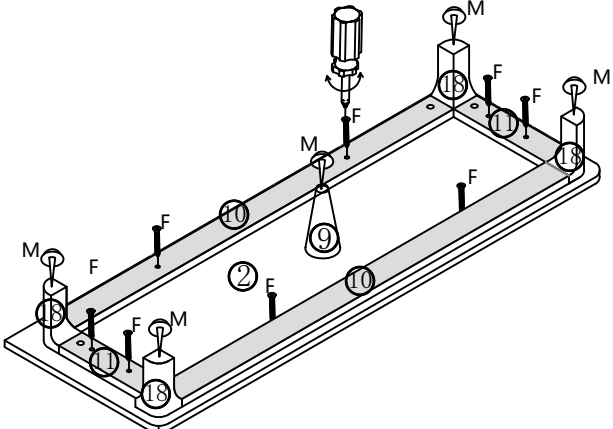
6






STEP 3

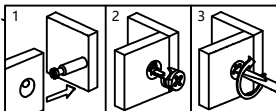
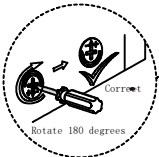
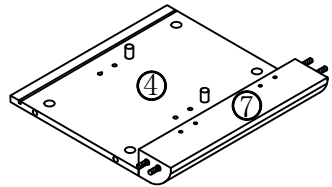
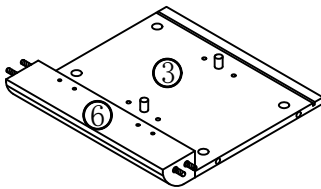
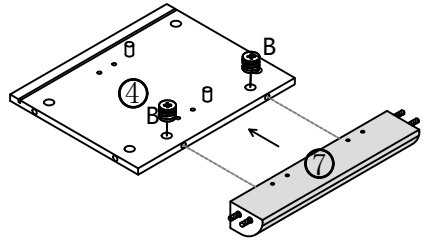
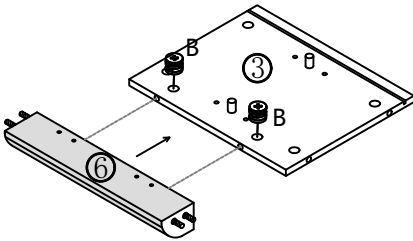
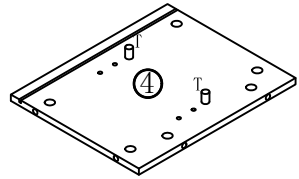
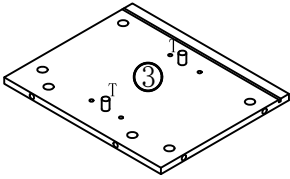
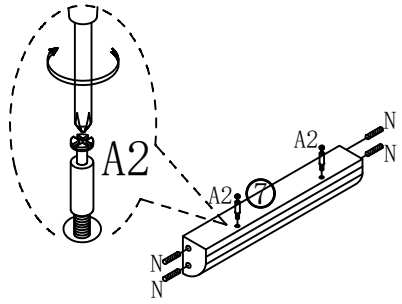
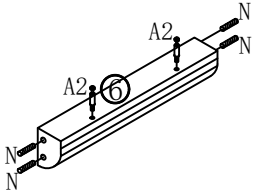


STEP 4



M  x5	
A  x8	F  x12

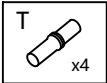
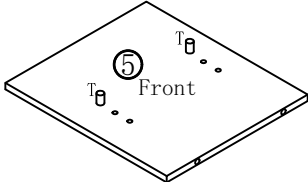
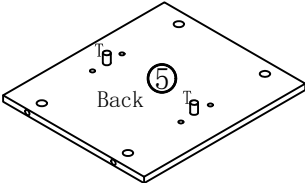
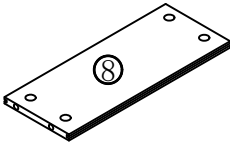
STEP 5



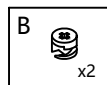
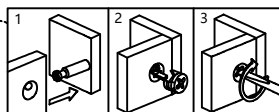
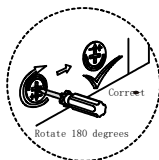
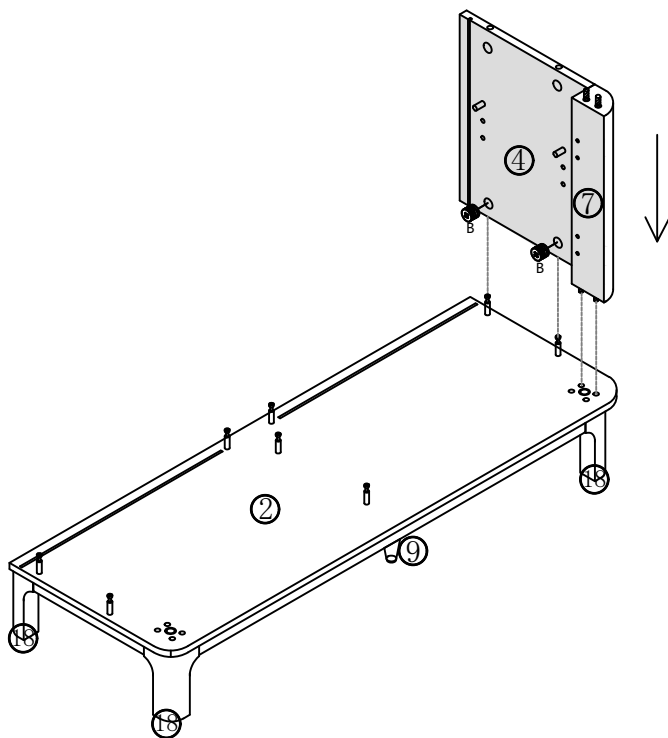
9

N x8	T x4
A2 x4	B x4

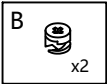
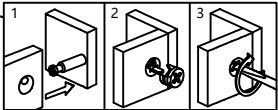
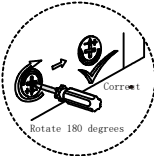
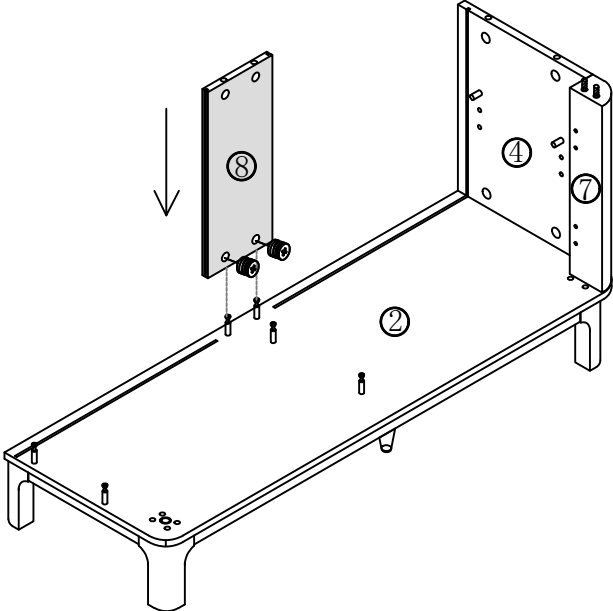
STEP 6



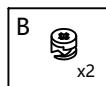
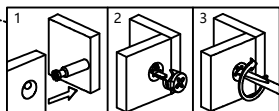
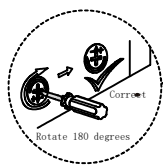
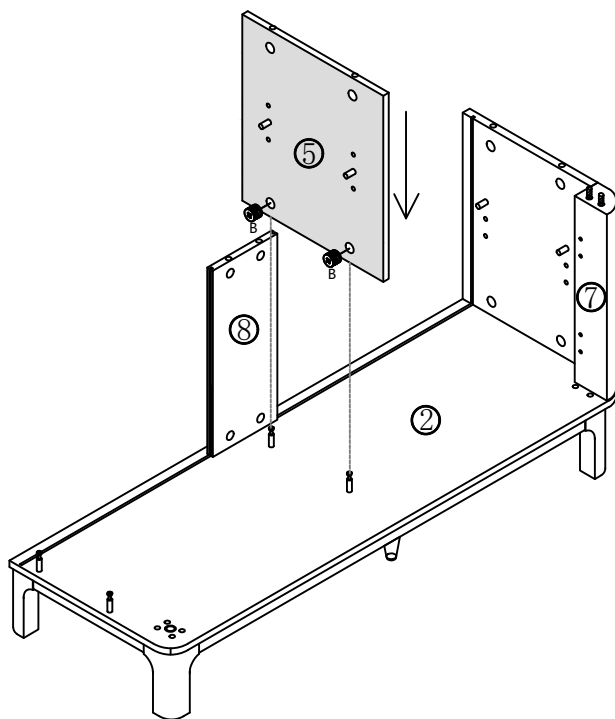
STEP 7



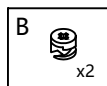
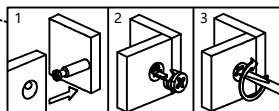
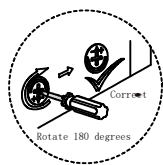
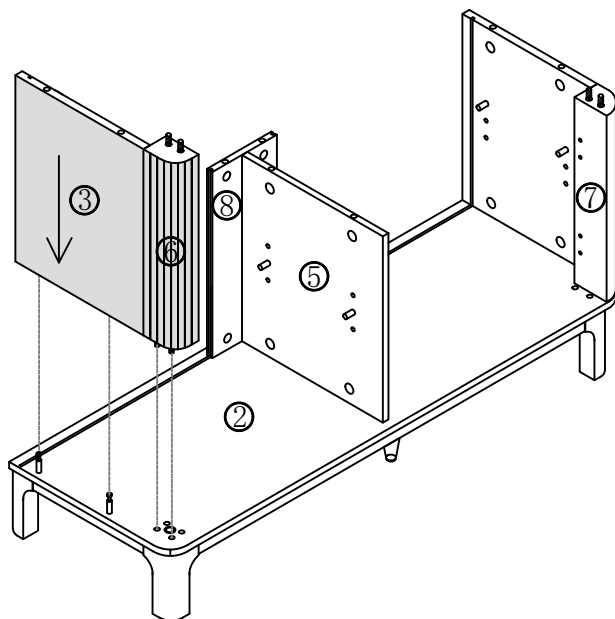
STEP 8



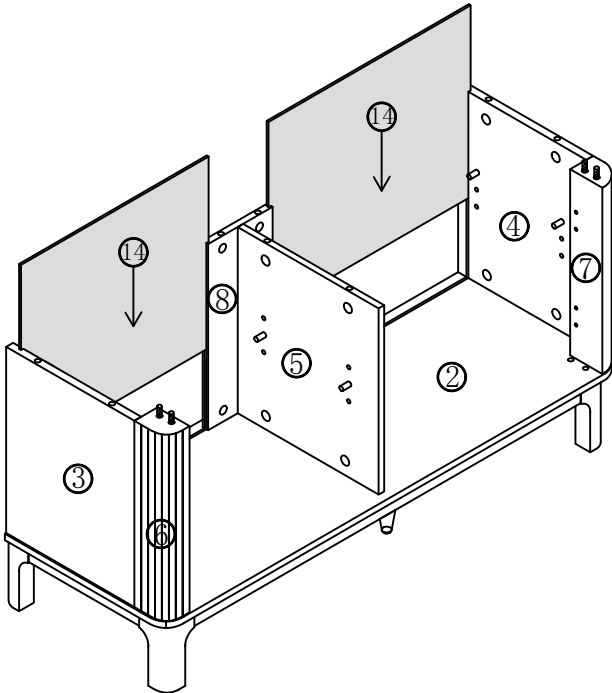
STEP 9



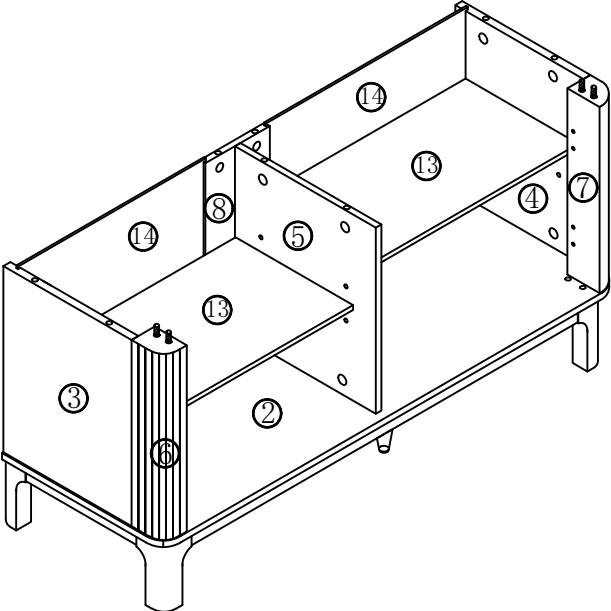
STEP 10



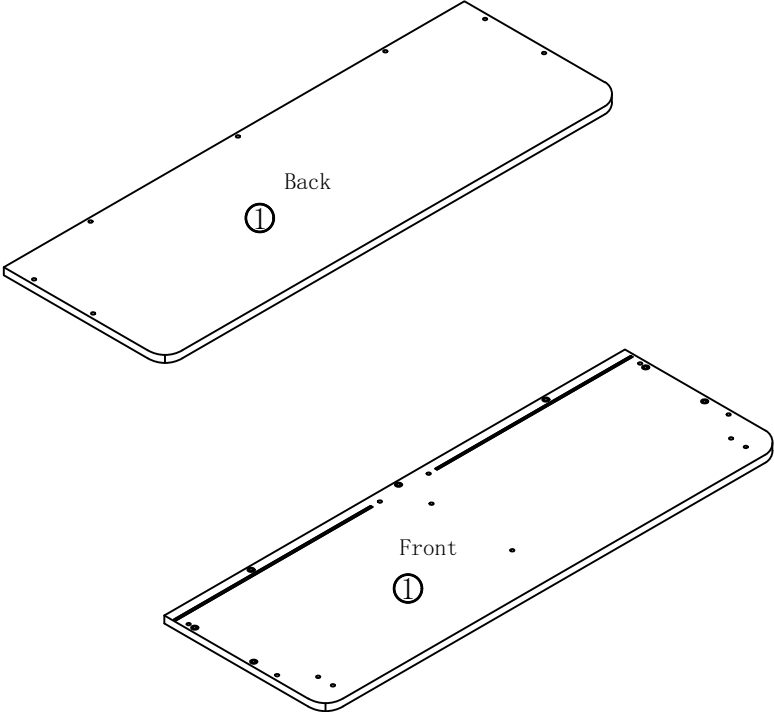
STEP 11



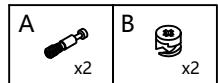
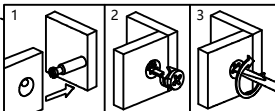
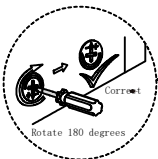
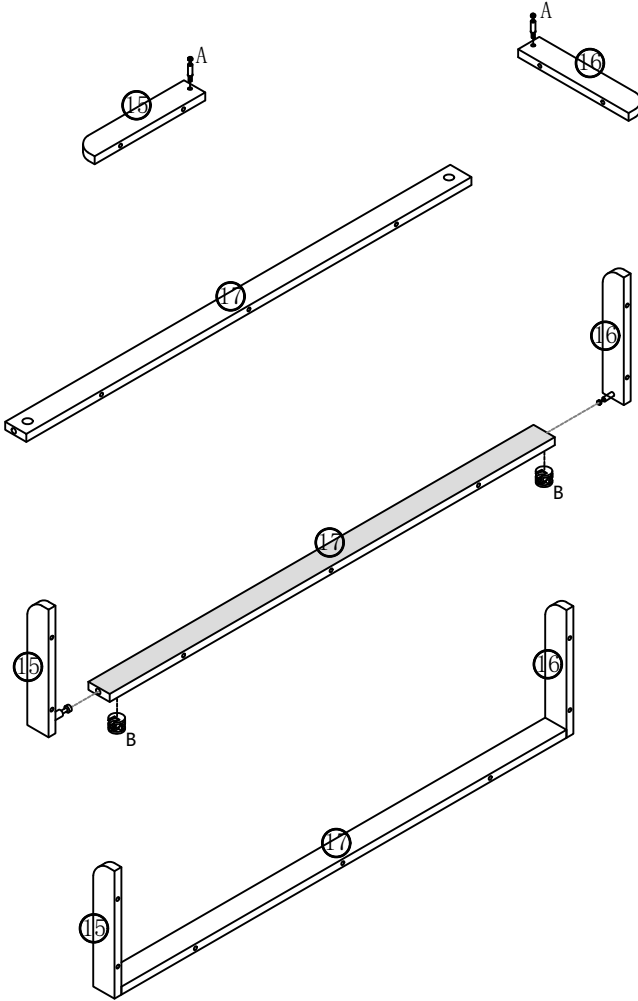
STEP 12



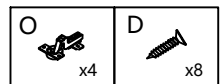
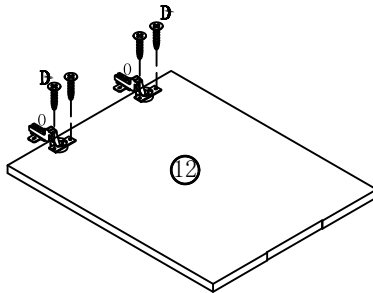
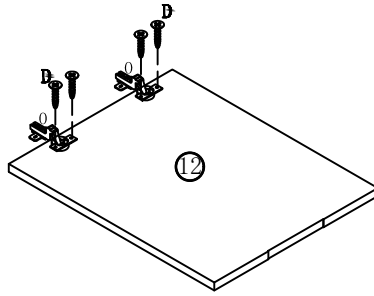
STEP 13



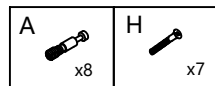
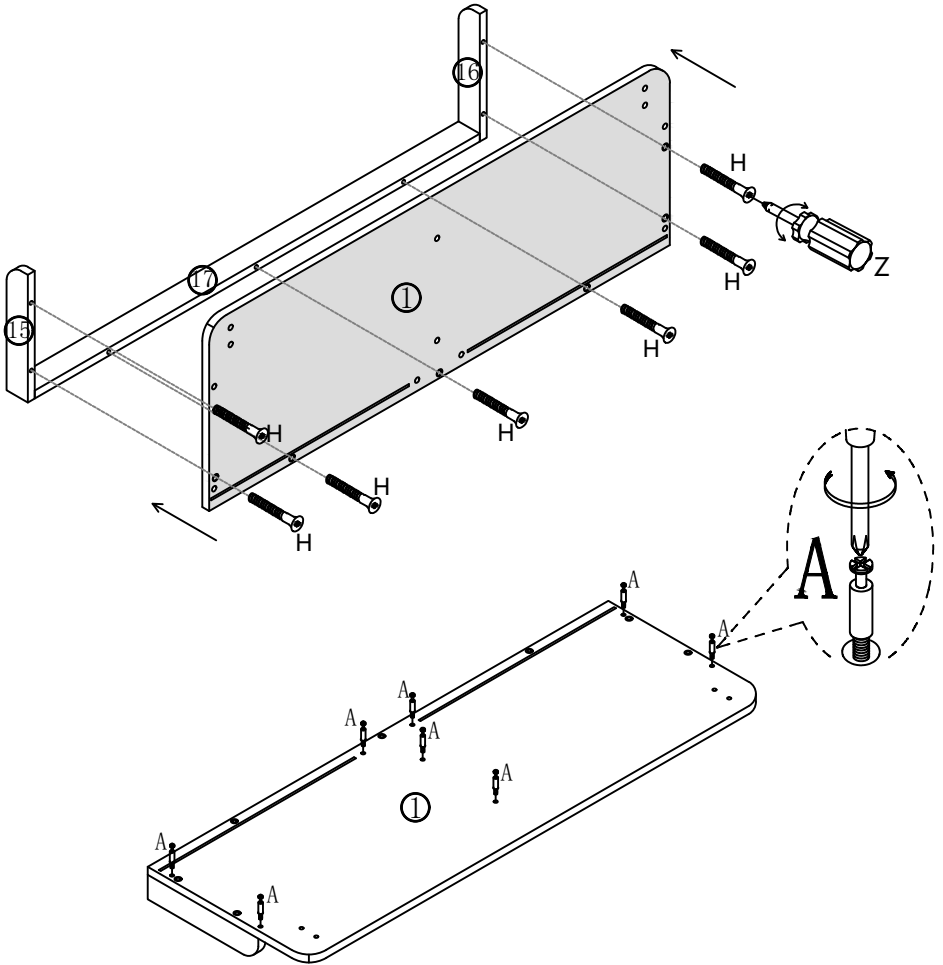
STEP 14



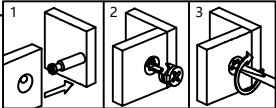
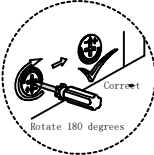
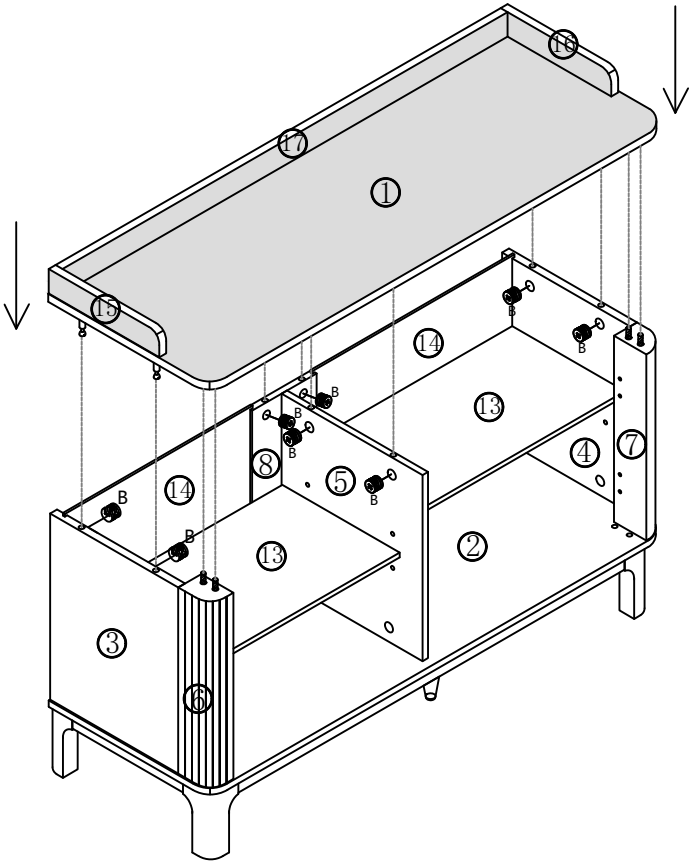
STEP 15



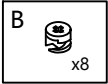
STEP 16



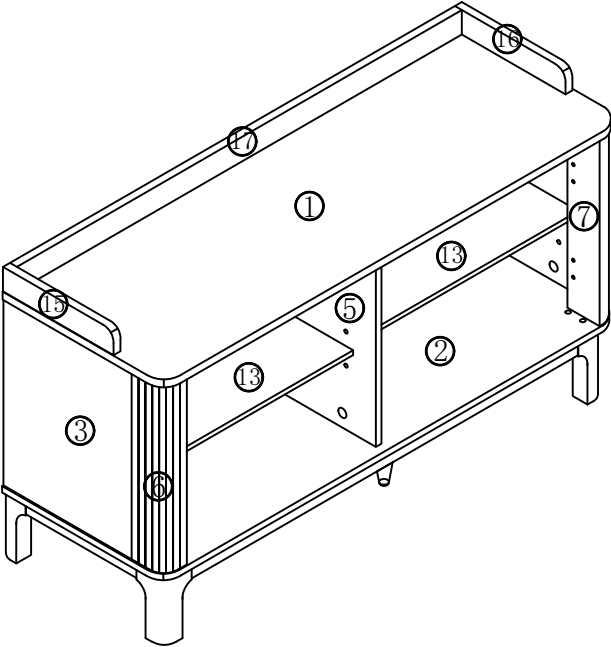
STEP 17



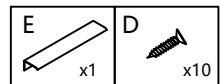
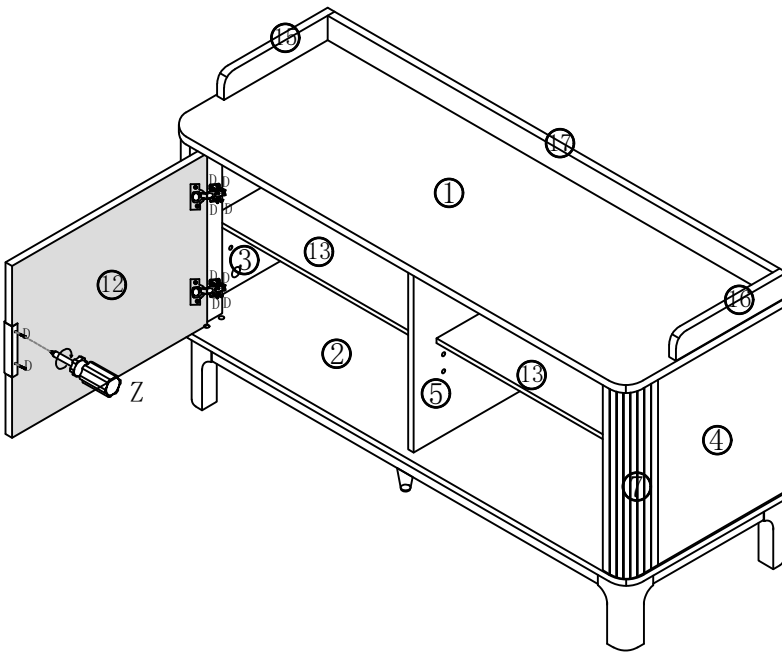
21



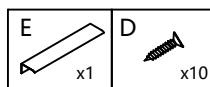
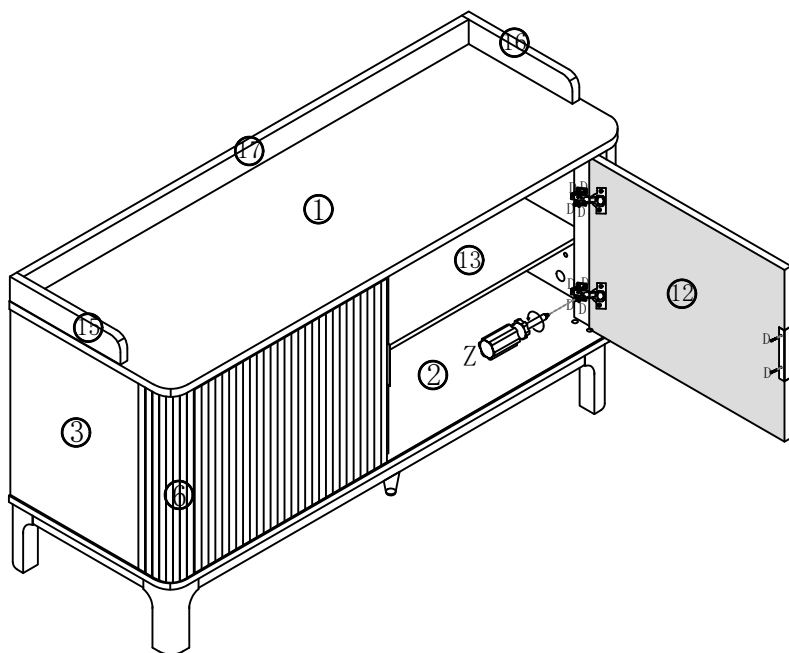
STEP 18



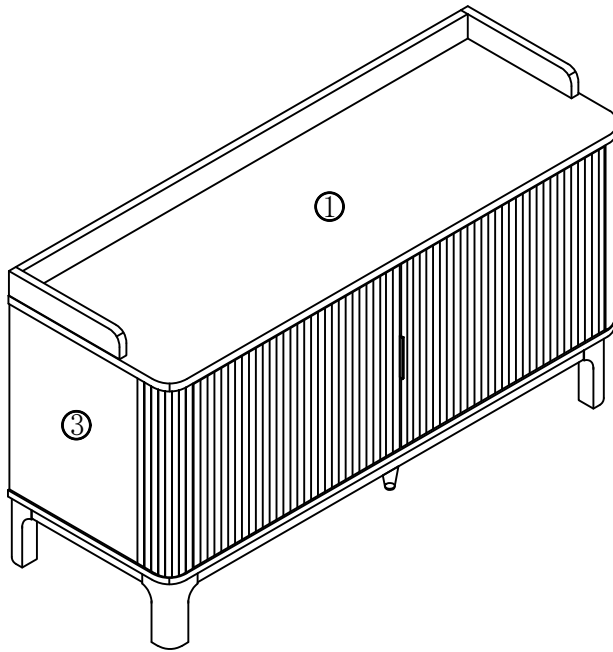
STEP 19



STEP 20



STEP 21



STEP 22

