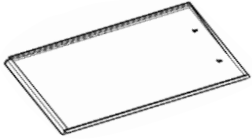
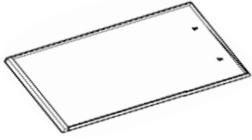
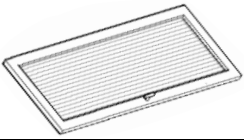
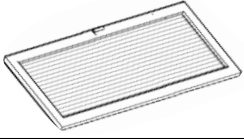
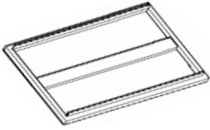
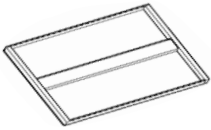
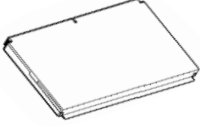
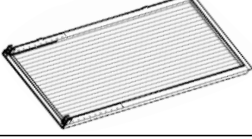







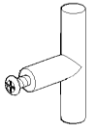




Assembly Instructions

Please read this before you proceed

A		Backplane1	1pc
B		Backplane2	1pc
C		Left door	1pc
D		Right door	1pc
E		Top	1pc
F		Adjustable shelf	2pcs
G		Bottom	1pc
H		Side panel	2pcs
I		Foot	2pcs

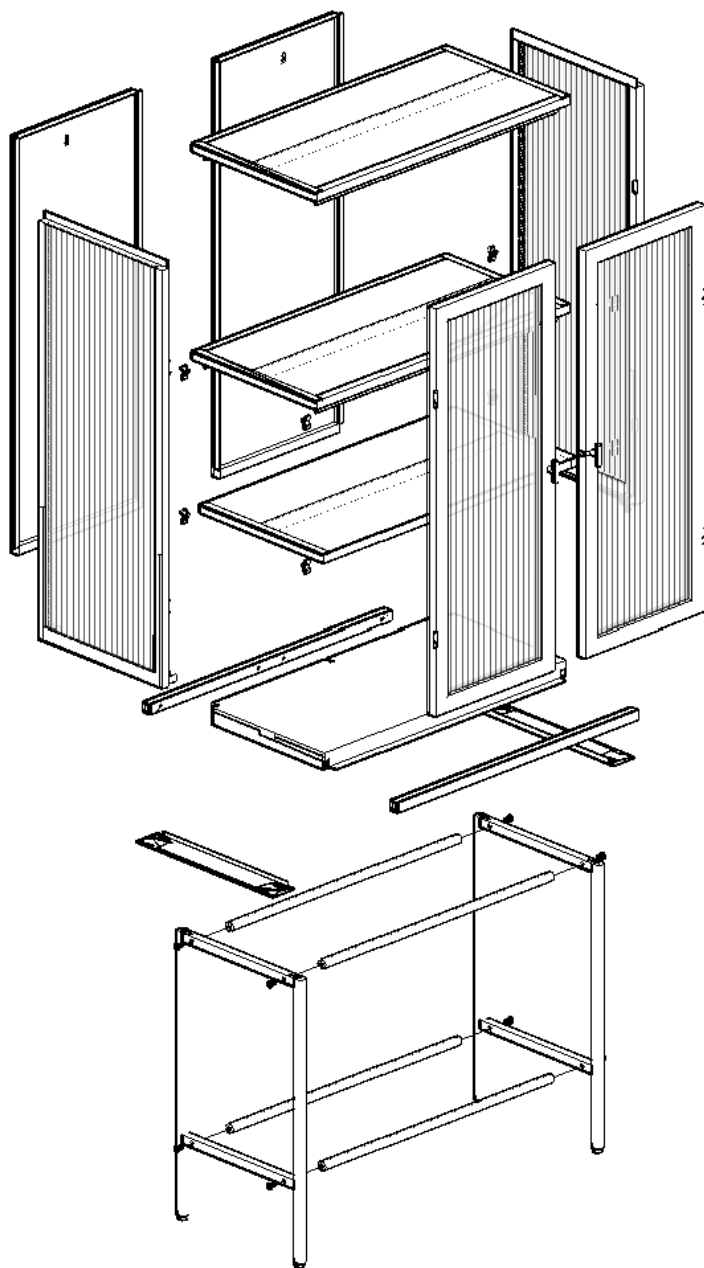
Assembly Instructions

Please read this before you proceed

J		Square pull rod	2pcs
K		Pull rod	4pcs
L		M6*40screw	8pcs
M		Foot connector	2pcs
N		Handle with handle screw	2pcs
O		Expansion screw	2pcs
P		Hanging film	8pcs
Q		Self-tapping screw	30pcs
R		M6*16screw	12pcs

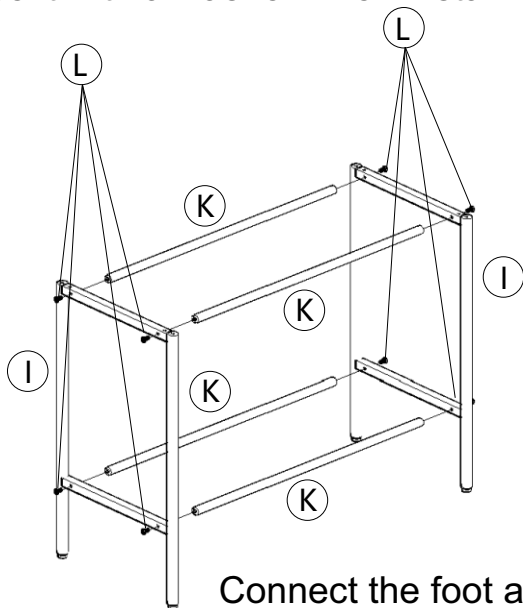
Assembly Instructions

Explosion view



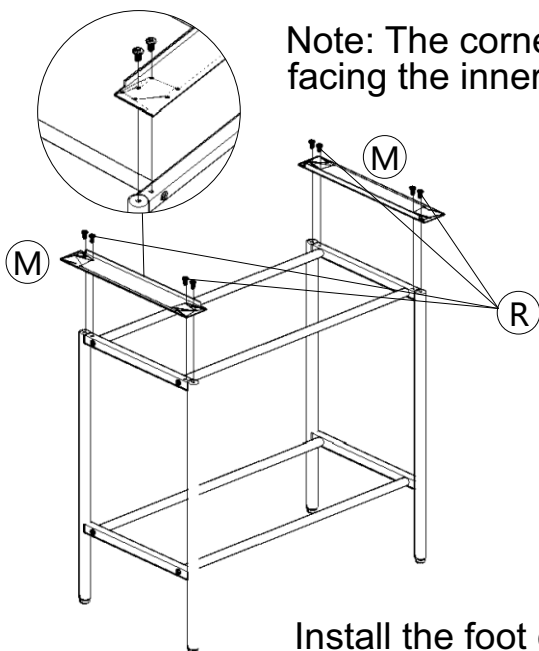
Assembly Instructions

- ① Please use it with a washer when installing M5 screws.



Connect the foot and the pull rod.

②

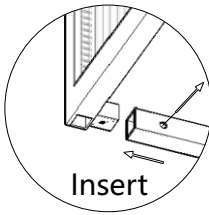


Note: The corner is facing the inner side.

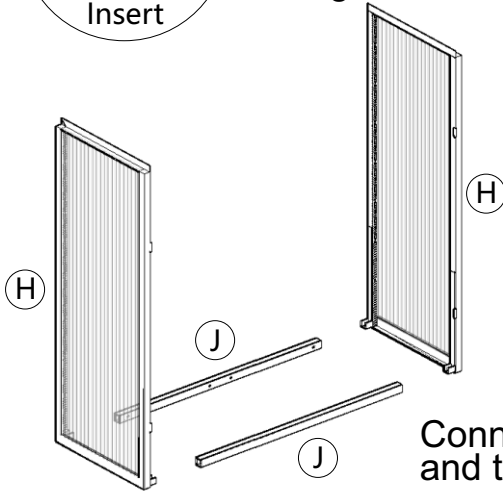
Install the foot connector.

Assembly Instructions

3

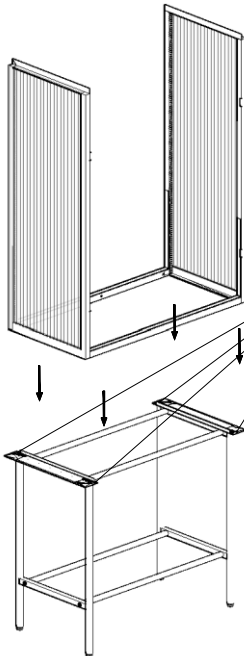


Insert and make sure that the hole of the square pull rod is facing inward.

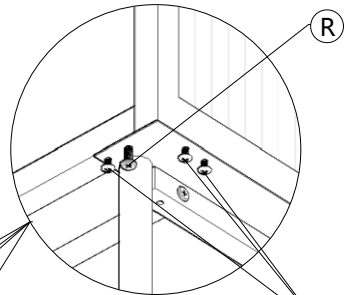


Connect the side panel and the square pull rod.

4



Bottom perspective

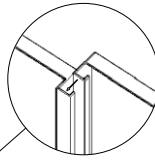


Install the four corners as shown in the figure above.

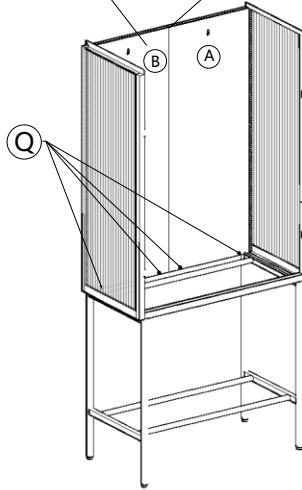
Connect the side panels and feet.

Assembly Instructions

- 5** Make sure that the hanging hole is above when installing the backplate.

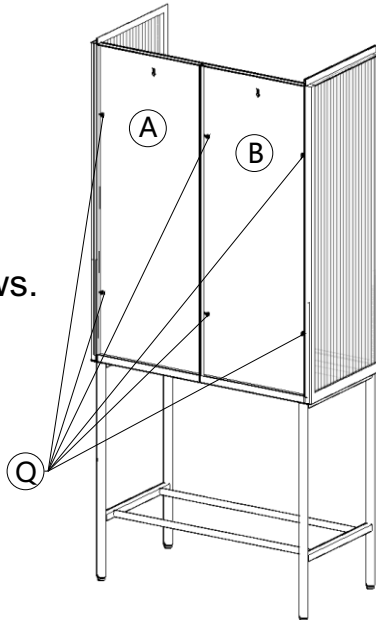


buckle
installation



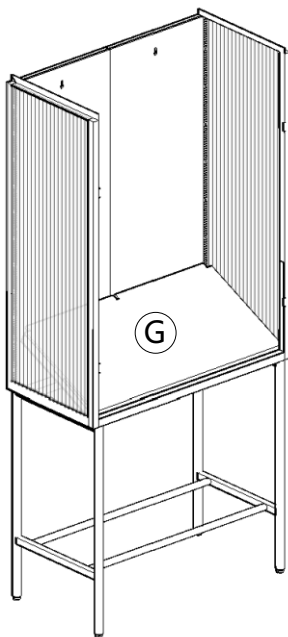
6

Install back screws.



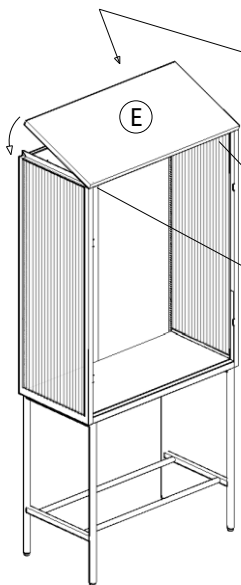
Assembly Instructions

7

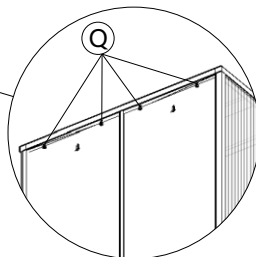


Install the bottom plate and make sure that the front part is inserted diagonally downward when installing.

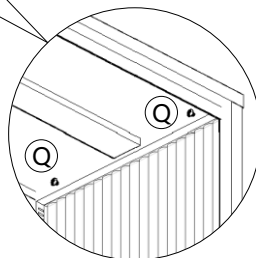
8



Install the top



Connect the screws on the back

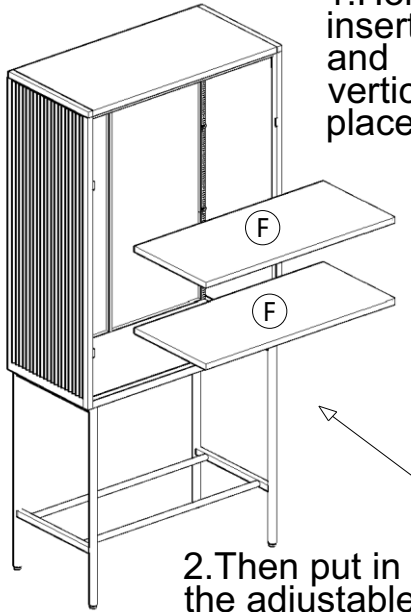


Connect the screws on both sides of the interior.

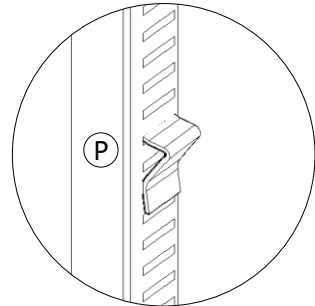
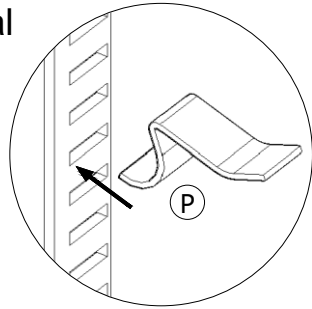
Assembly Instructions

9

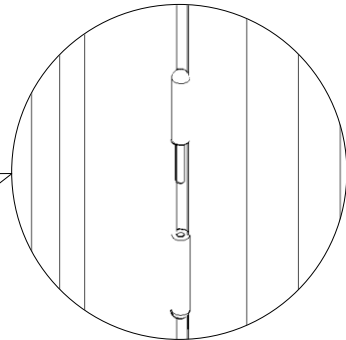
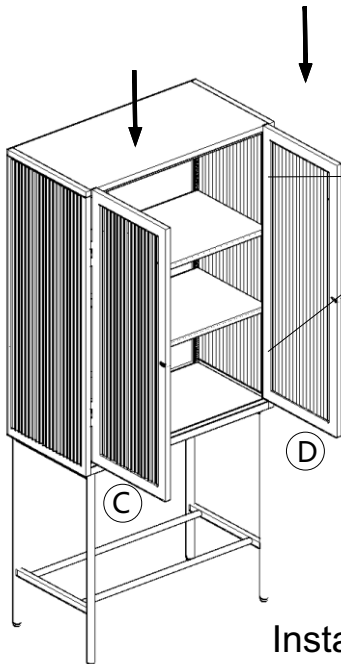
1. Horizontal insertion and vertical placement



2. Then put in the adjustable shelf.



10

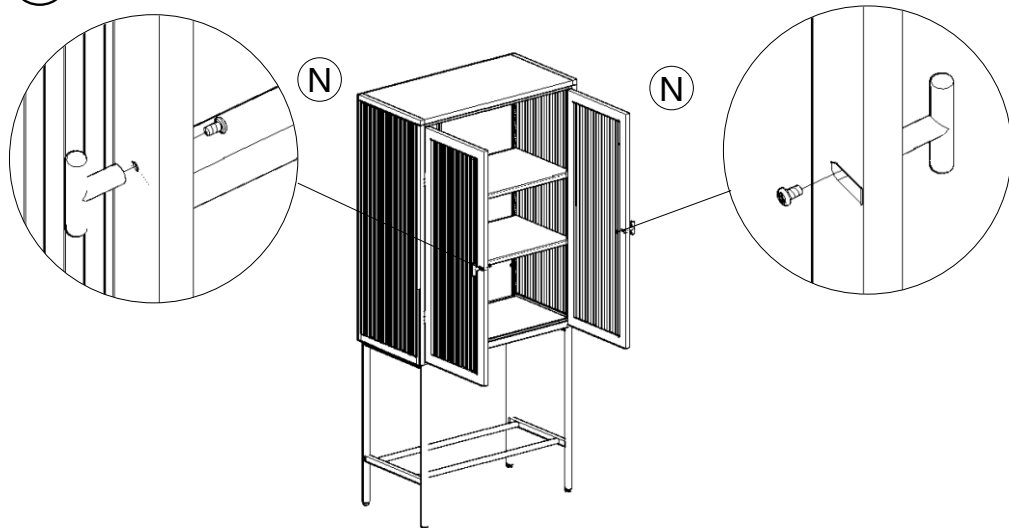


Insert the pin vertically downward.

Install cabinet doors.

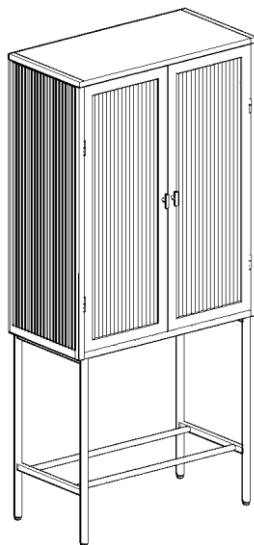
Assembly Instructions

11



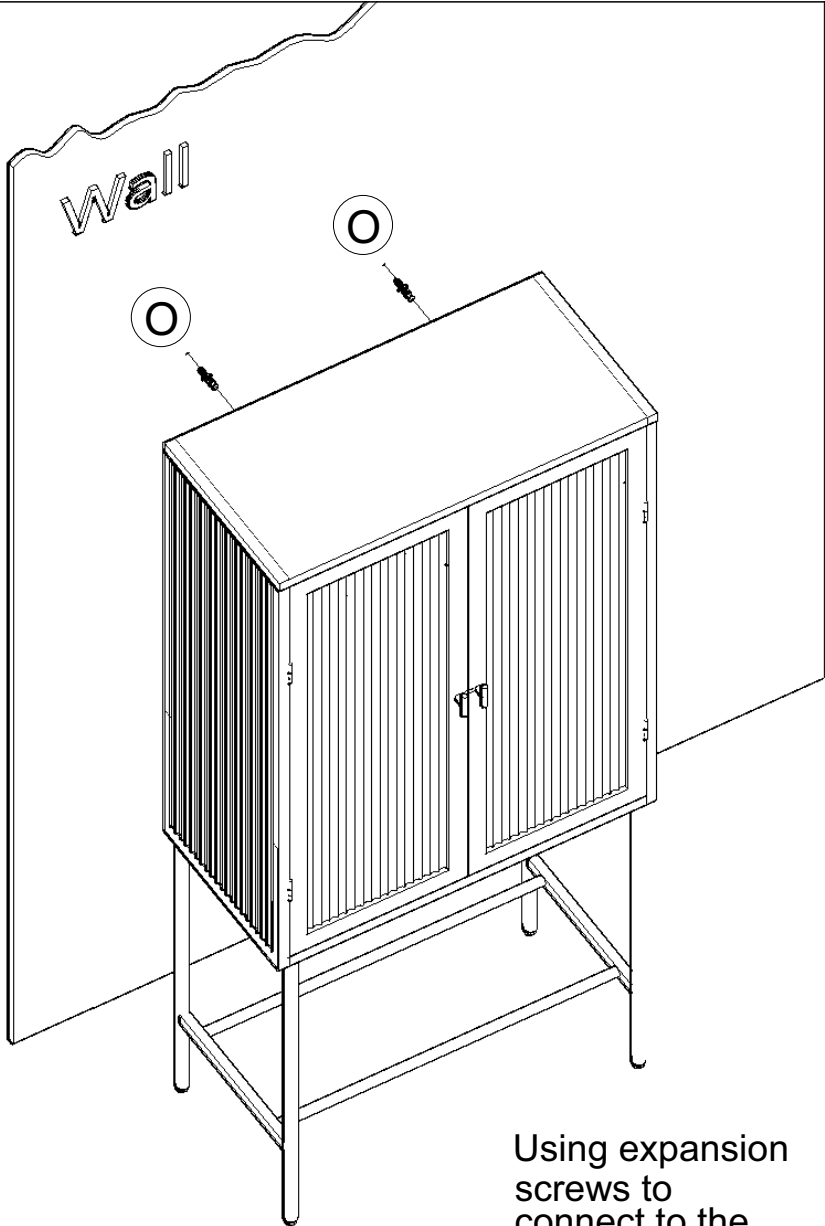
Use the handle screws
to install the handle

12



Assembly Instructions

13



Using expansion screws to connect to the wall can prevent dumping and make it stronger.