

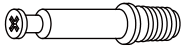





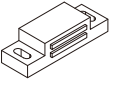
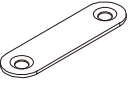
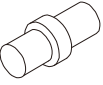
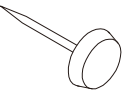



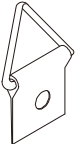



INSTRUCTION MANUAL

TOOLS REQUIRED



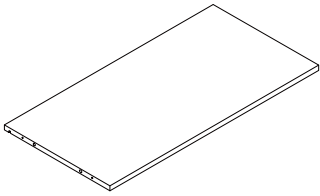
CROSS SCREWDRIVER

HARDWARE

A  3PCS	B  Ø 15x9mm 3PCS	C  Ø 4X35mm 22PCS
D  Ø 6X30mm 20PCS	E  Ø 3X12mm 6PCS	F  Ø 6X50mm 4PCS
G  3PCS	H  3PCS	I  6PCS
J  4PCS	K  Ø 20mm 19PCS	L  Ø 3X14mm 14PCS
M  6PCS	N  4PCS	O  2PCS
P  2PCS	Q  Ø 4X40mm 2PCS	

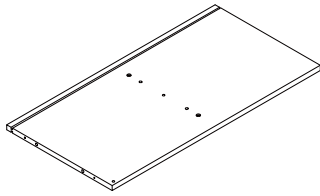
PARTS

1



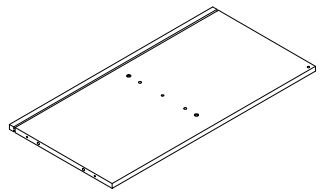
1PCS

2



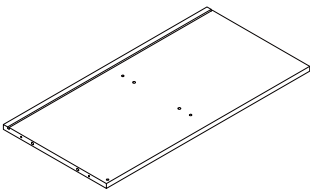
1PCS

3



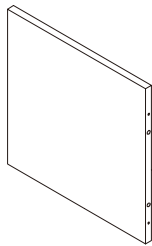
1PCS

4



1PCS

5



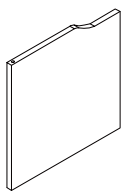
3PCS

6



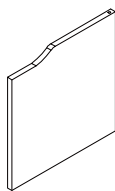
2PCS

7



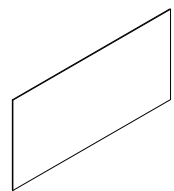
2PCS

8



1PCS

9



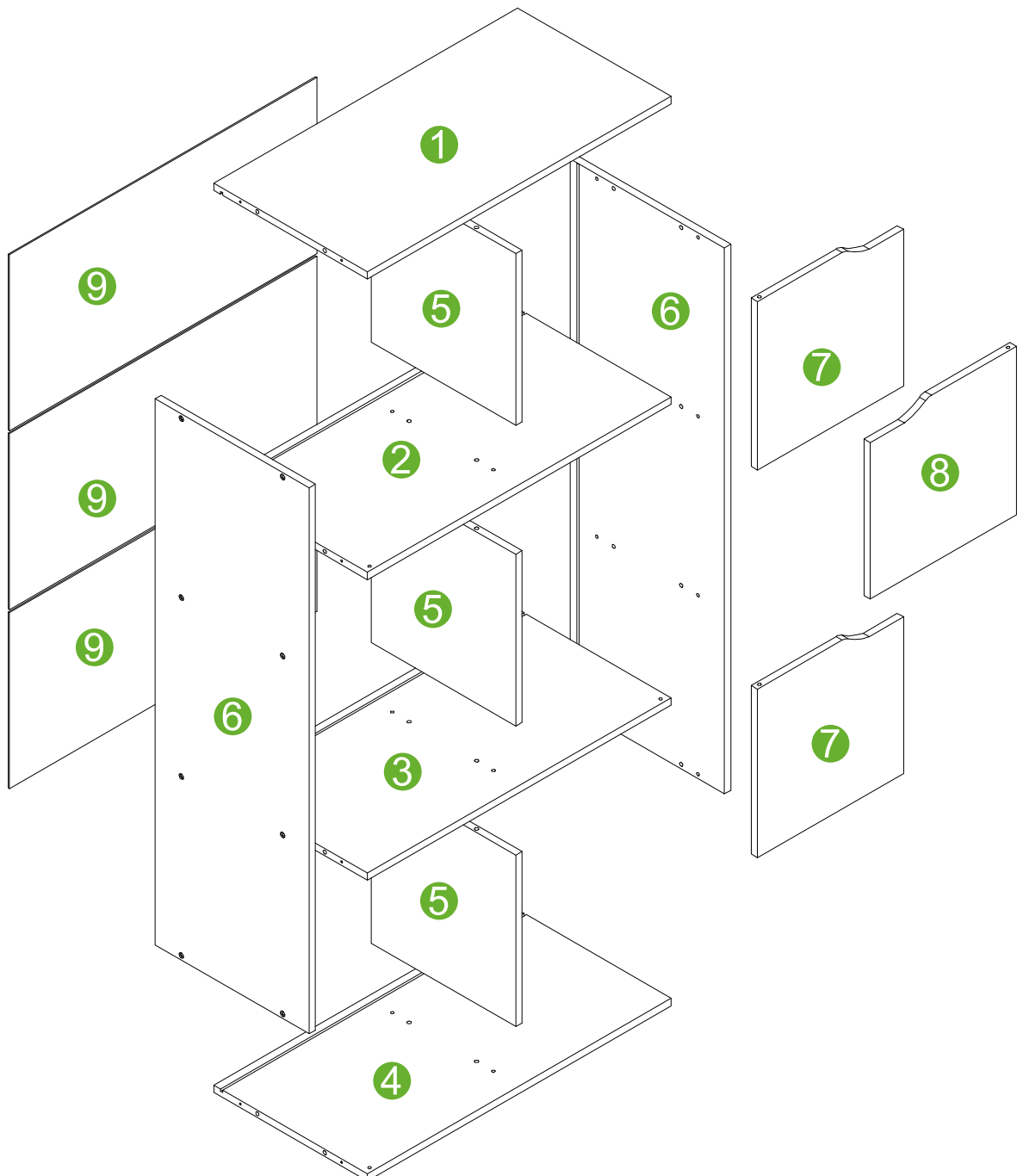
3PCS

! NOTICE

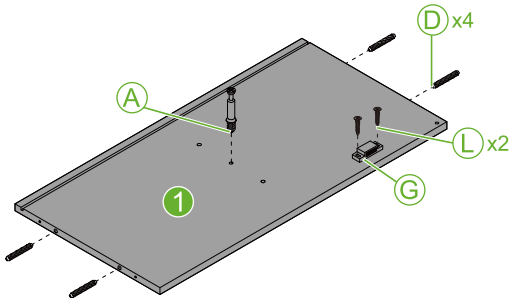
Please retain these instructions for future reference.

- Make sure that all screws are tightened. Check these regularly. Do not overtighten the screws!
- Do not use or store this item in the proximity of open flame or flammable/combustible chemicals.
- If any parts are missing, broken, damaged, or worn, stop using this item until repairs are made and/or factory replacement parts are installed.
- When cleaning do not use any abrasive or caustic agents or hard brushes etc.
- Clean the surfaces with a damp, lint-free cloth and wipe with a dry cloth.
- Carefully remove all packing material and discard it sorted. Make sure that you do not accidentally throw away mounting material.
- Any question or problem, please contact us freely!

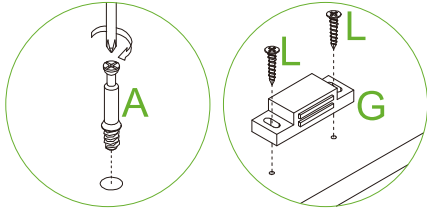
PRODUCT ASSEMBLY



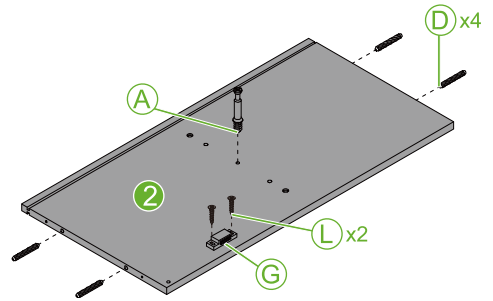
1



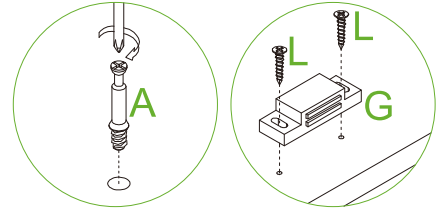
	AX1
	DX4
	GX1
	LX2



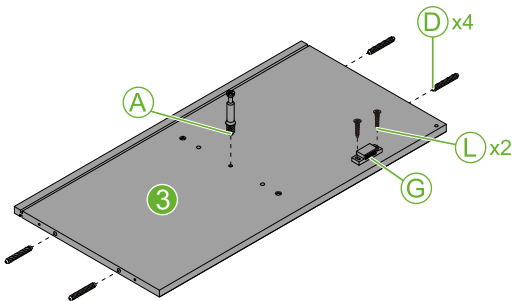
2



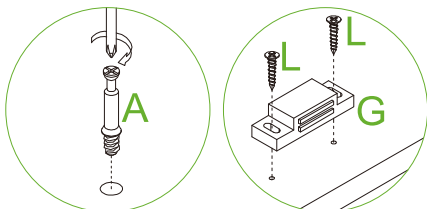
	AX1
	DX4
	GX1
	LX2



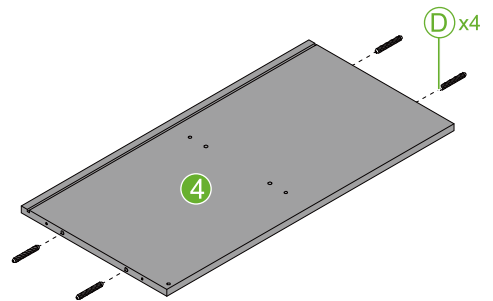
3



	AX1
	DX4
	GX1
	LX2

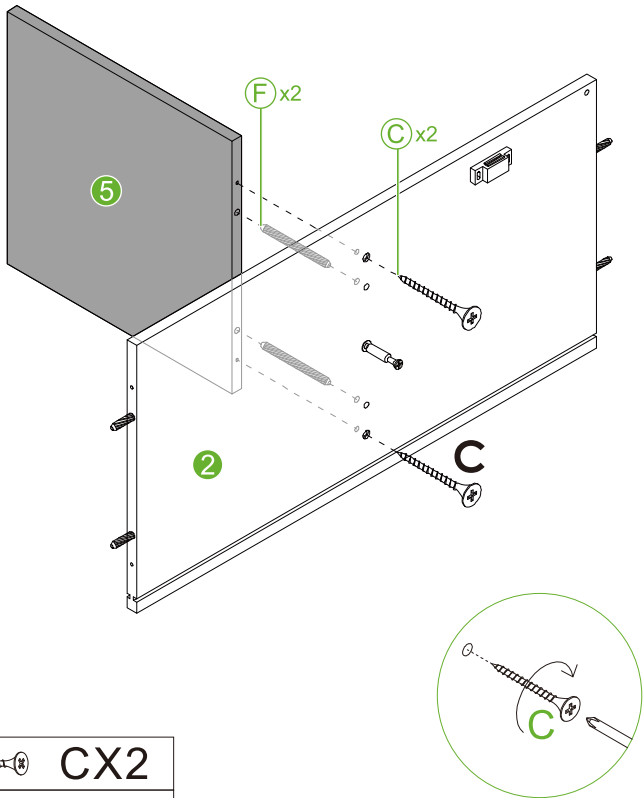


4



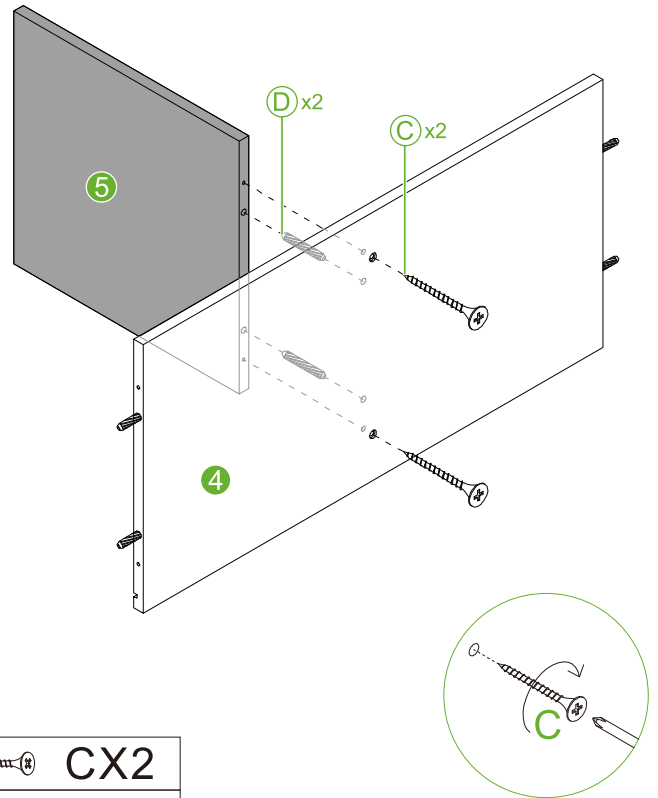
	DX4
--	-----

5



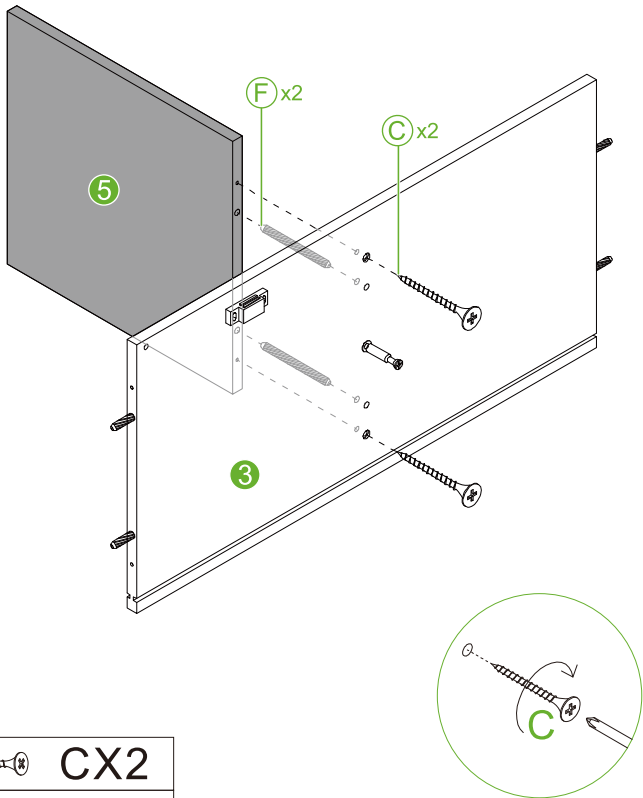
-  CX2
-  FX2

6



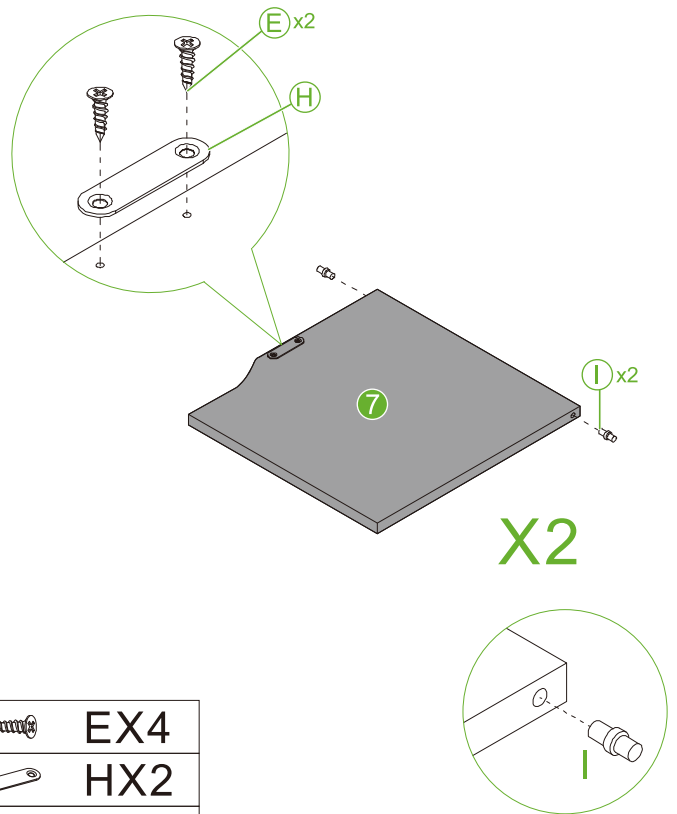
-  CX2
-  DX2



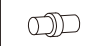
7



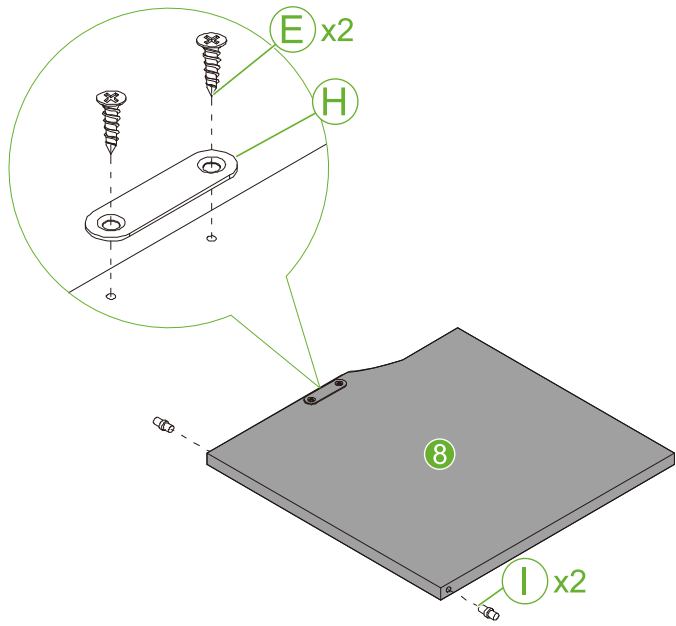
-  CX2
-  FX2




8

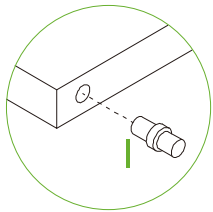


-  EX4
-  HX2
-  IX4

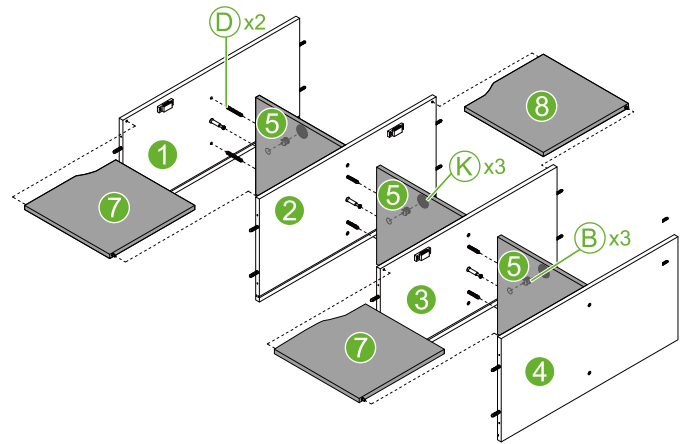
9






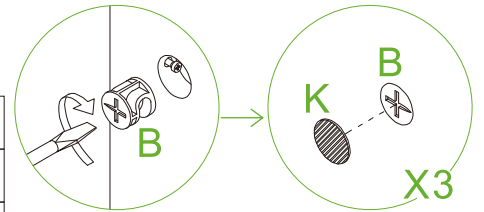
	EX2
	HX1
	IX2



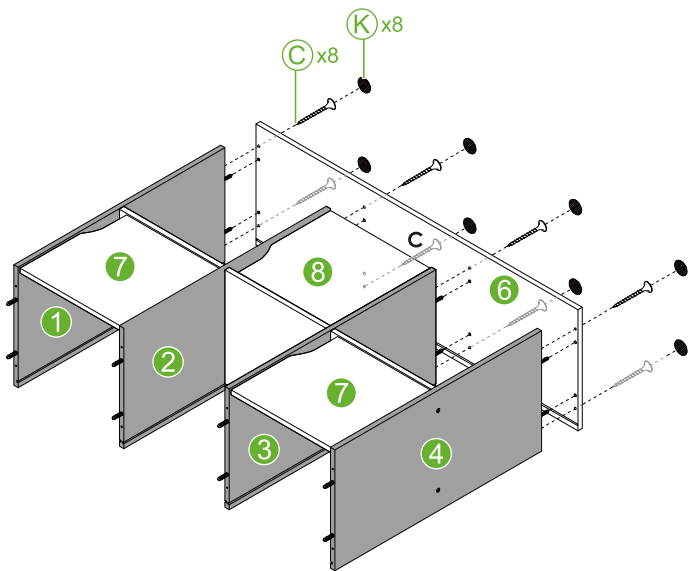
10



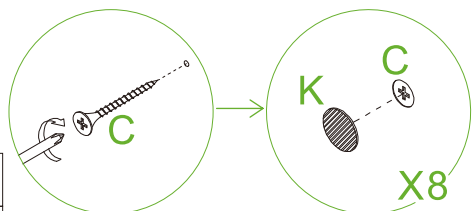
	BX3
	DX2
	KX3



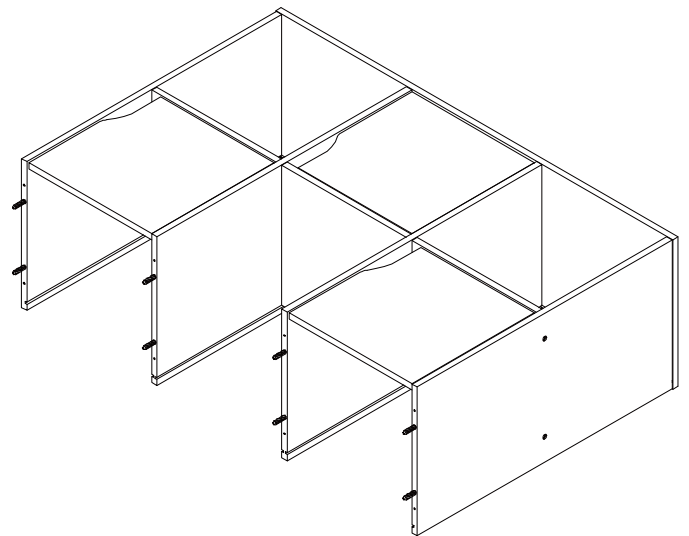
11



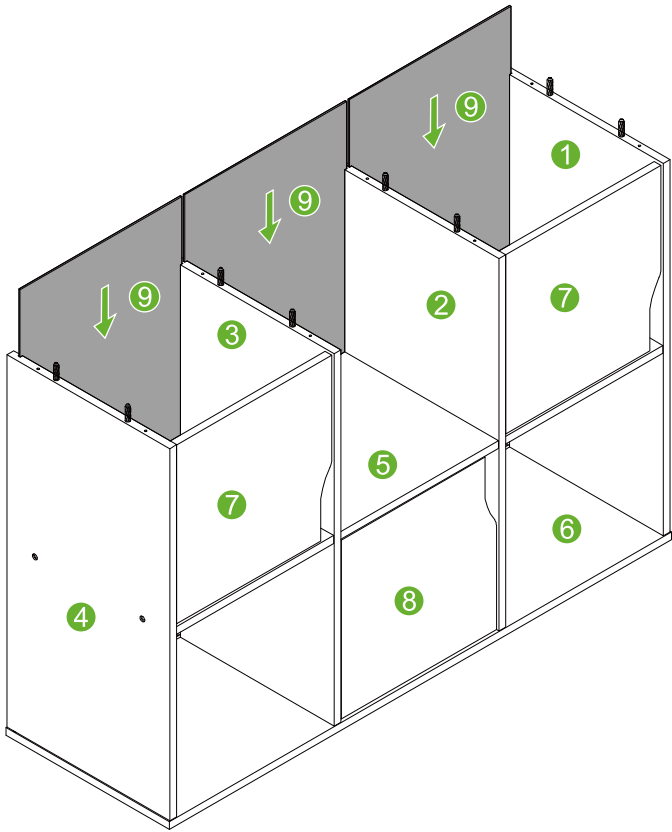
	CX8
	KX8



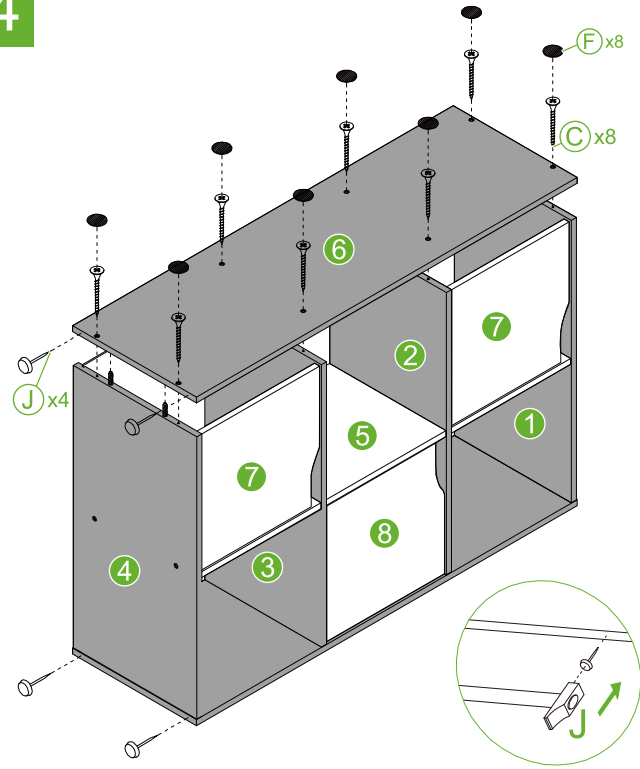
12






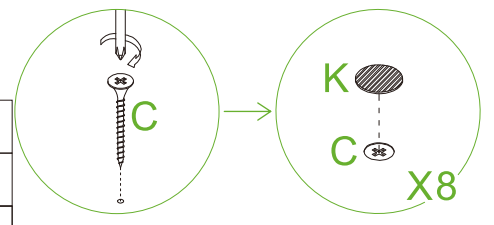
13



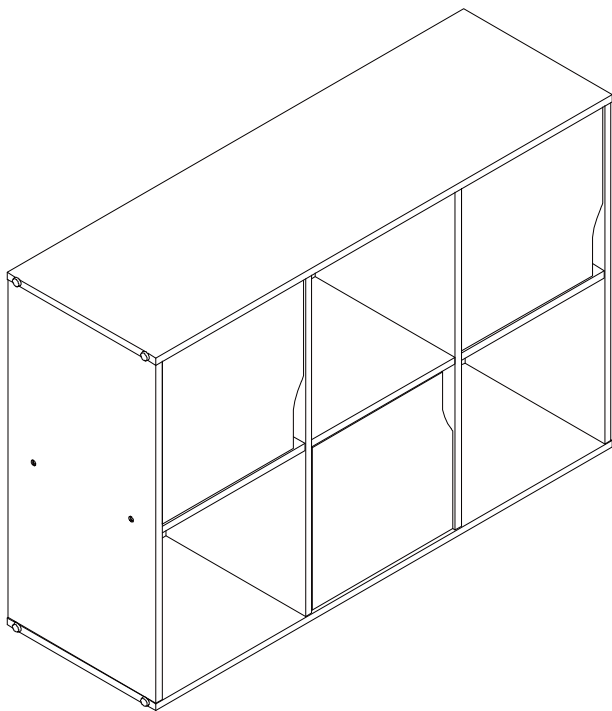
14



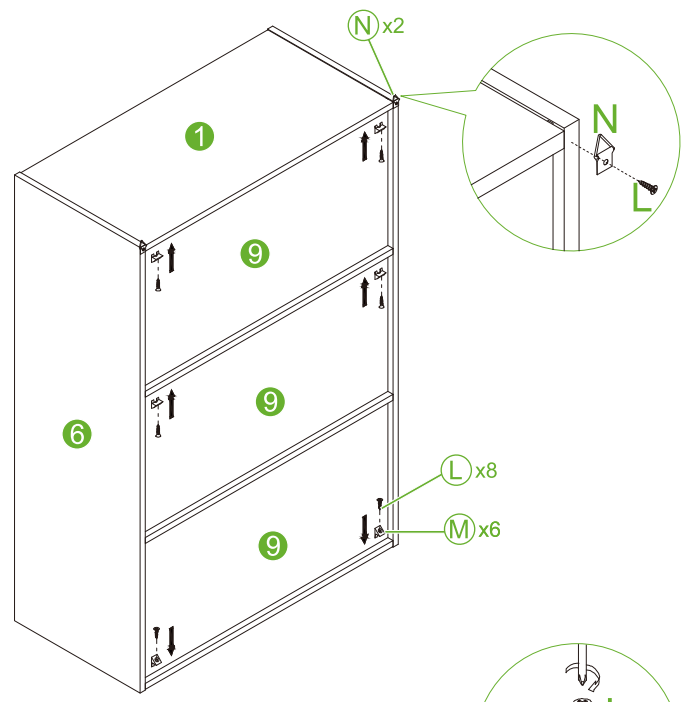
	CX8
	JX4
	KX8



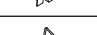


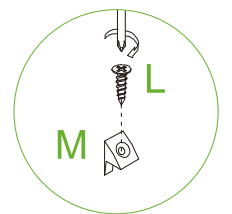
15



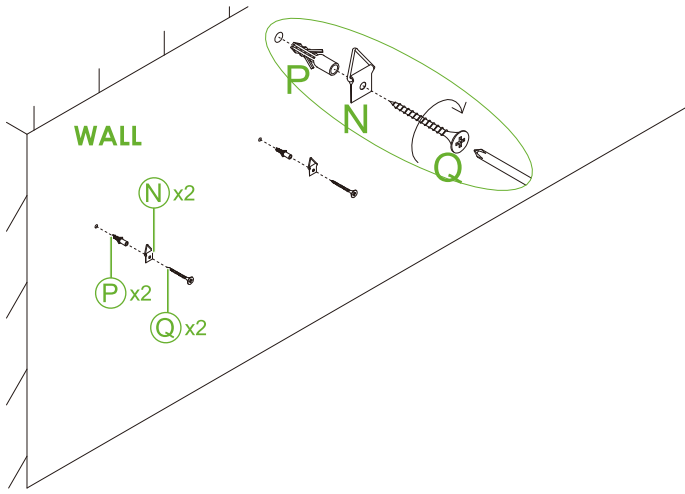
16






	LX8
	MX6
	NX2

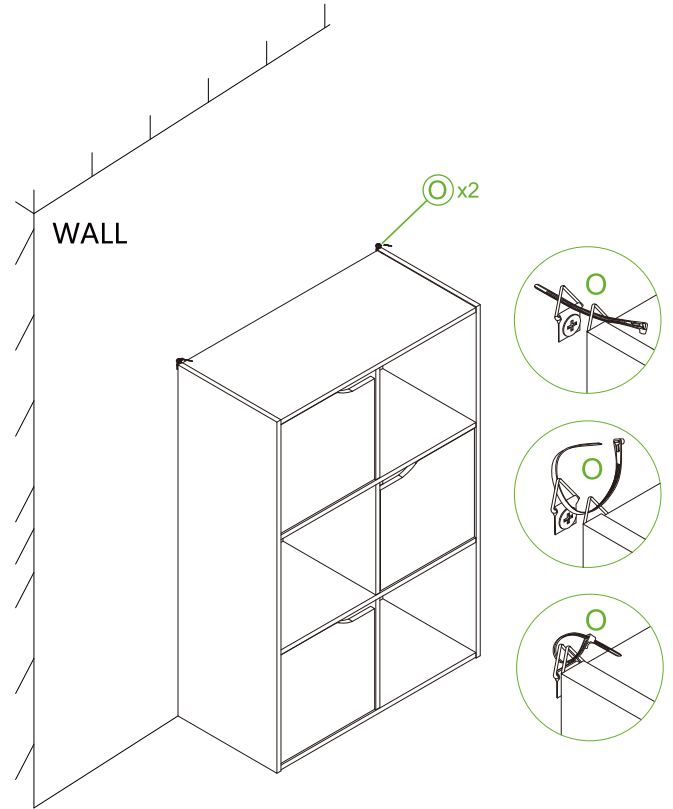


17



	NX2
	PX2
	QX2

18



	OX2
---	-----

19

