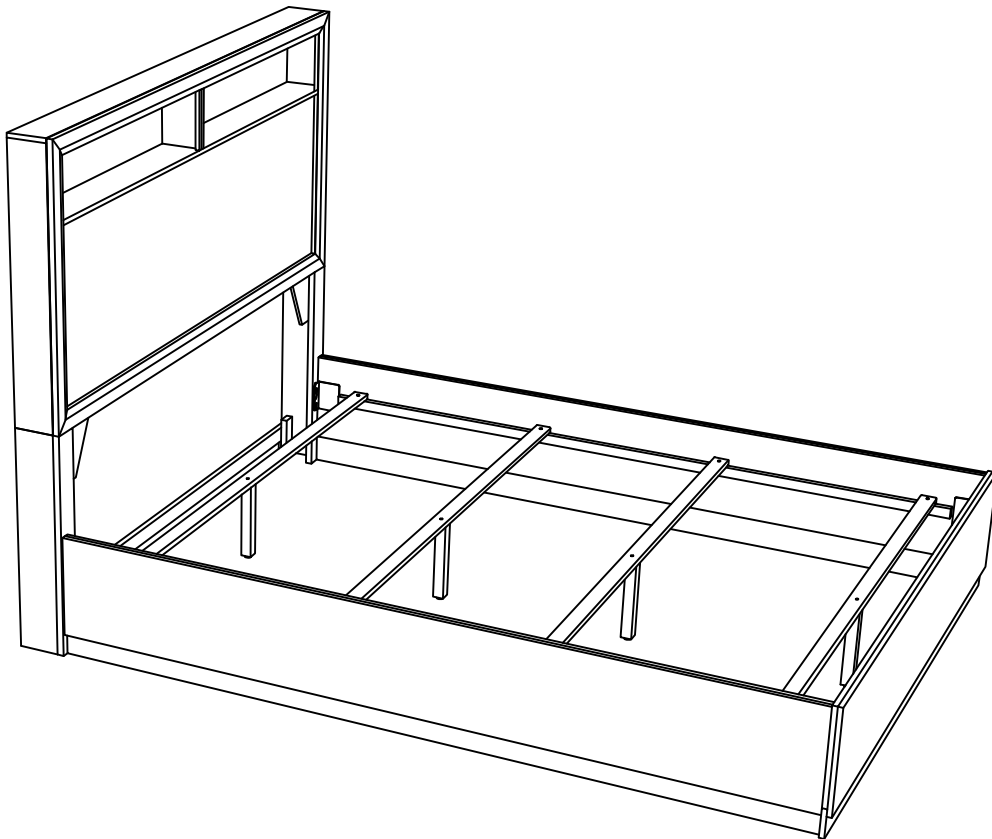


Assembly Instructions



ASSEMBLY RATING

The Assembly Rating is a 5-point system that shows the degree of effort needed in assembling a specific product with 1 being easy and 5 being difficult. For some products, two persons are recommended.

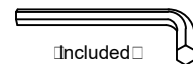
EASY



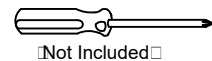
DIFFICULT

Tools Required For Assembly

Allen Wrench



Phillips Screwdriver

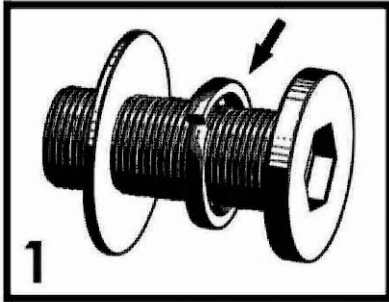


2 PERSONS RECOMMENDED

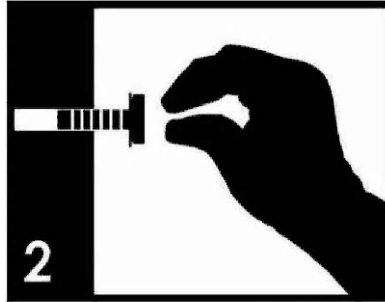
ASSEMBLY & CARE ADVICE

FOR YOUR FURNITURE TO LAST, CORRECT ASSEMBLY AND PROPER MAINTENANCE ARE NECESSARY. PLEASE FOLLOW THE INFORMATION PROVIDED BELOW TO FULLY ENJOY YOUR FURNITURE.

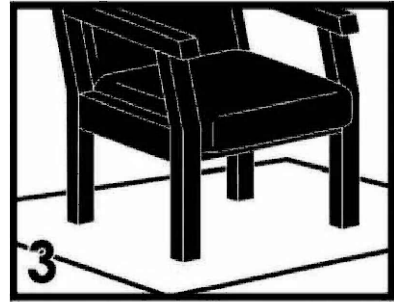
BASIC ASSEMBLY TECHNIQUES



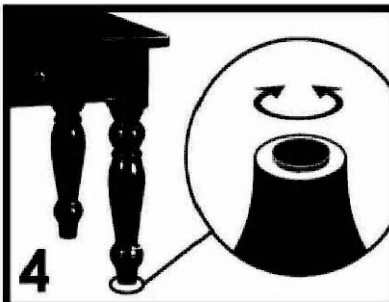
1
When lock or spring washer is used in an assembly, please make sure the lock or spring washer is placed between the larger flat washer and the head of the screw or bolt.



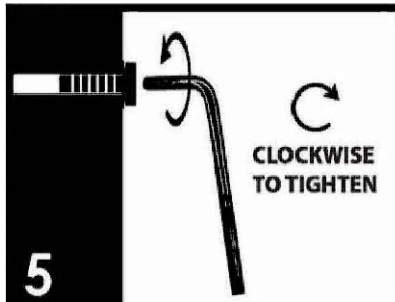
2
Position each part correctly and insert screws or bolts into their respective holes by hand tighten or using the proper hand tool. Only tighten when step is completed or when instructed to do so.



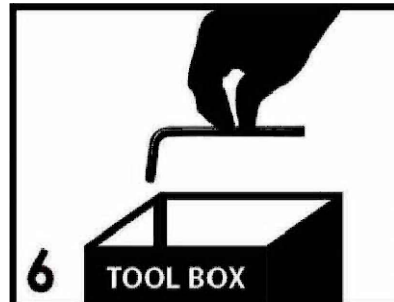
3
Use cardboard or carpet area when assembling furniture to prevent scratches. Make sure the furniture rests on a flat and level surface with each leg evenly touching the floor. No dragging of products/parts.



4
Some furniture comes with height adjustment knobs underneath each leg. To lower or to raise each leg, you need to turn clockwise or counterclockwise, respectively.



5
Make sure all parts are properly aligned, then use the appropriate hand tool to completely tighten the bolts or screws. Do not use power tools and do not overtighten.

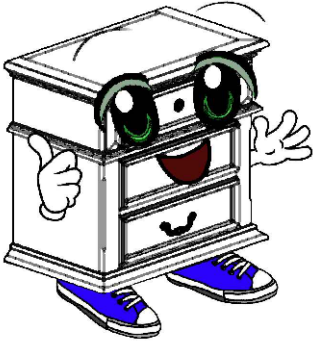


6
Save the instructions and store the Allen wrench or any supplied tool for later maintenance. After two weeks, check and tighten any loose hardware and repeat again every six months thereafter.

IT IS THE USER'S RESPONSIBILITY TO MAINTAIN THE FURNITURE. THE HARDWARE MAY LOOSEN OVER TIME AND MAY CAUSE THE FURNITURE TO BE WOBBLY AND UNABLE TO SUPPORT ITS INTENDED WEIGHT CAPACITY. THIS MAY LEAD TO COLLAPSE AND MAY CAUSE SERIOUS INJURY.





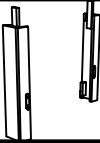






FAILURE TO FOLLOW THE GUIDELINES ABOVE MAY RESULT IN INJURY AND/OR PROPERTY DAMAGE.




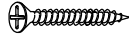
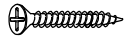
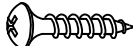
Before you begin, please read Page of "Assembly and Care Advice".

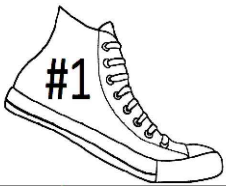
And remember, do not tighten until each step is completed or instructed.

Parts List

- 
#1 x 1pc
Headboard Panel
- 
#2 x 2pcs
Headboard Corner Panel
- 
#3 x 2pcs
Headboard Leg LR
- 
#4 x 1pc
Footboard
- 
#5 x 2pcs
Side Rail
- 
#6 x 4pcs
Bed Slat
- 
#7 x 4pcs Ø5/16"
Bed Slat Support
230X30X30mmL
- 
#8 x 1pc
Back Center Support
- 
#9 x 1pc
Back Rail Support

Hardware List

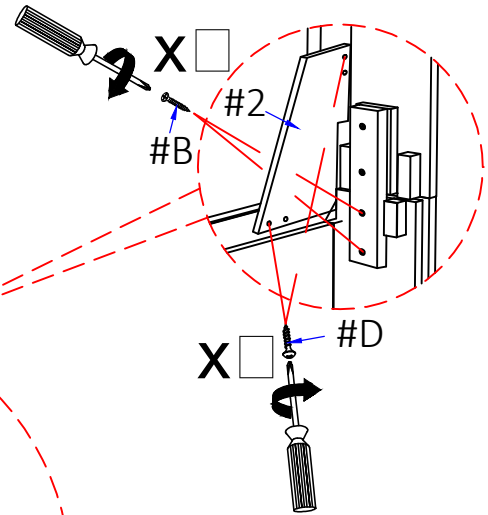
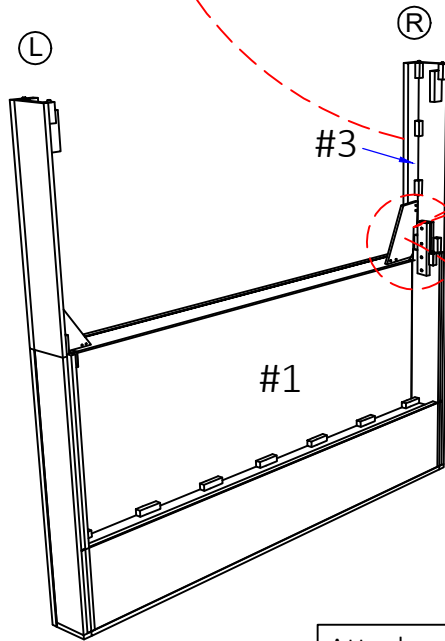
- 
#A x 1pc
Allen Key m
- 
#B x 14pcs
CSK m x mm
- 
#C x 8pcs
CSK m x mm
- 
#D x 8pcs
Pan Head Screw
m x mm



#1

Attach Head Board Leg (#3) to Head Board (#1) then secure by using screws (#B)

#B x 4pcs
#D x 8pcs



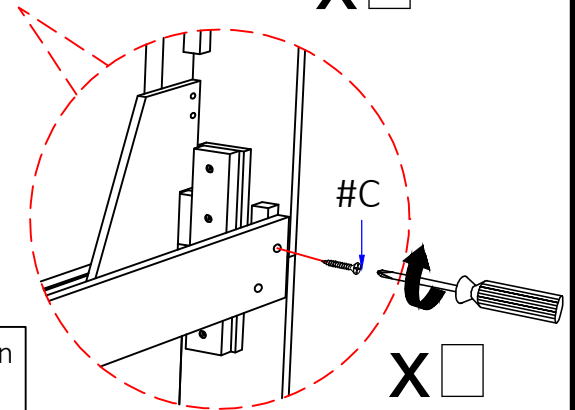
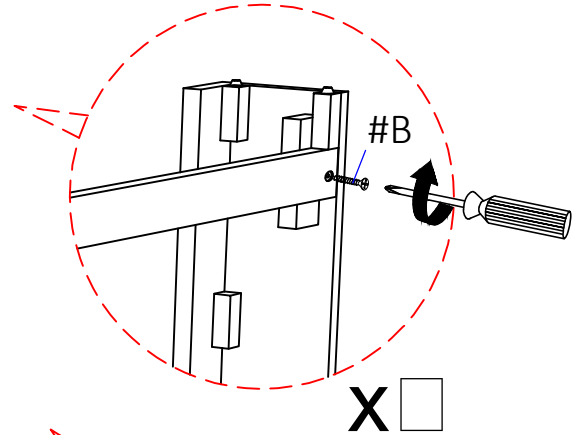
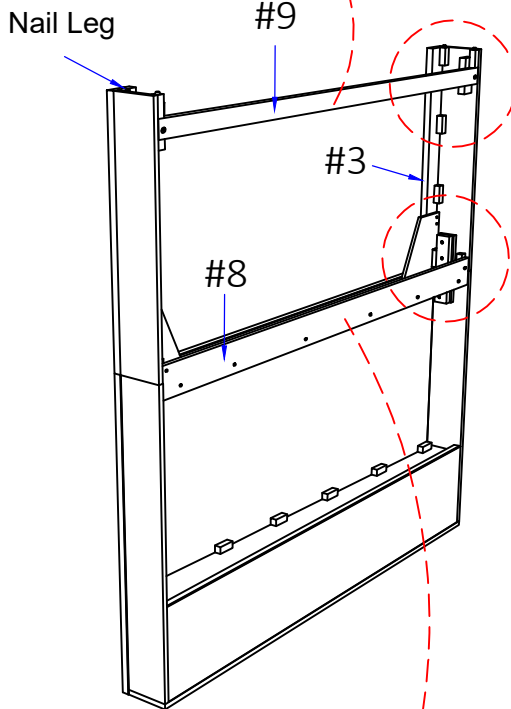
Attach and tighten Headboard Corner Panel (#2) to the Headboard and secure by using Panhead screw (#D).



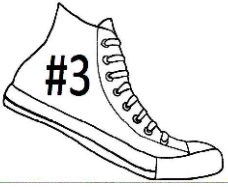
#2

Attach Back Rail support (#9) to the Headboard Leg (#3) and secure by using screws (#B)

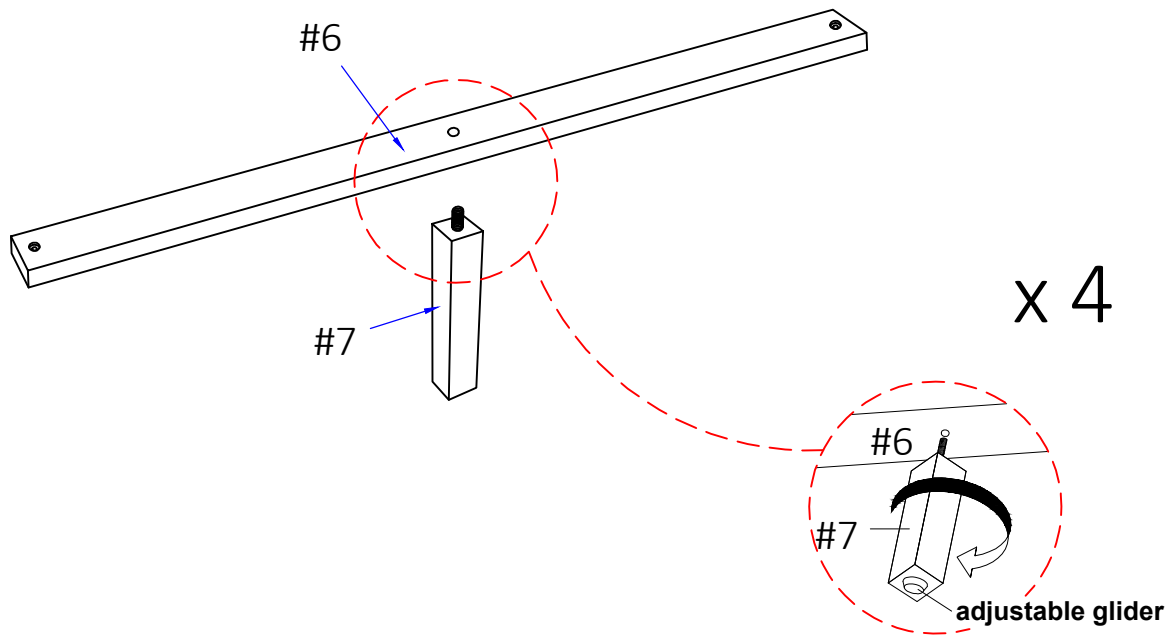
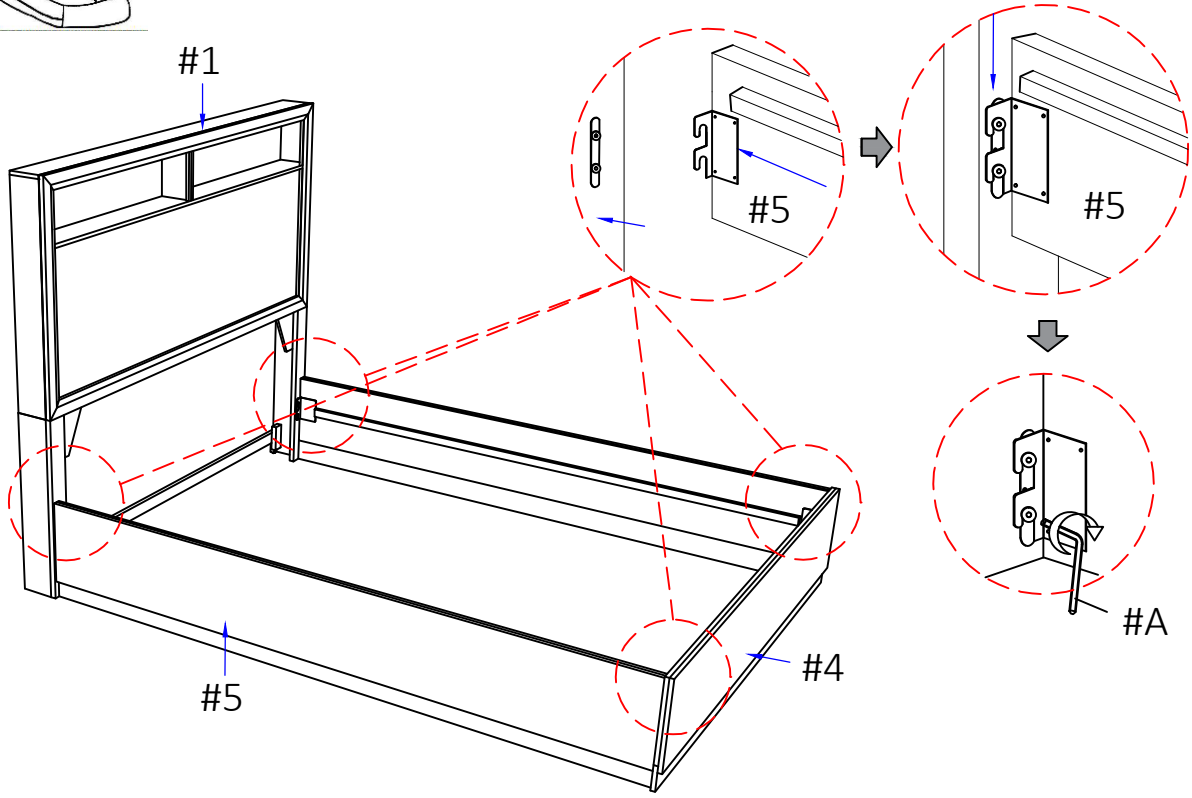
#B x 2pcs
#C x 8pcs



Attach Back center support (#8) to the Headboard Leg (#3) then secure by using screws (#C)



Align side rails (#5) to the bolts of the Headboard Leg(#3) and footboard (#4). Fully tighten the bolts.

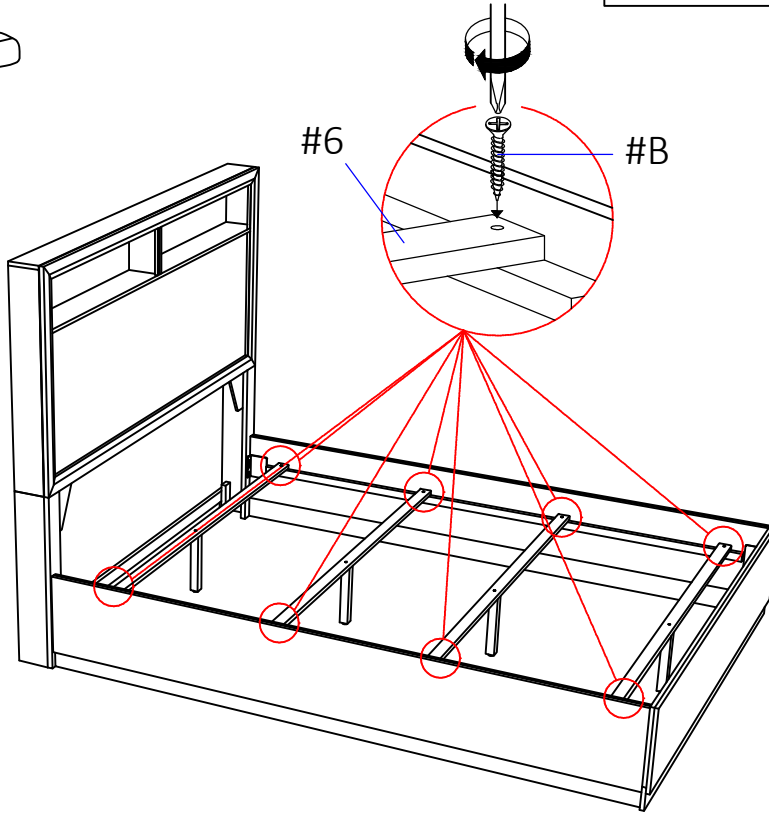




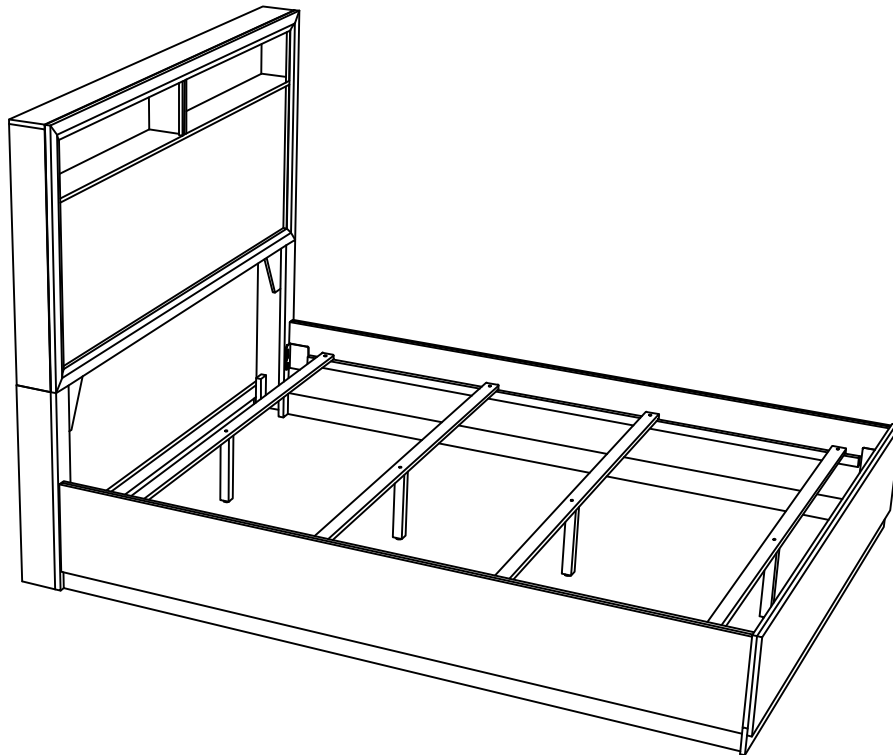
#5

#B x 8pcs

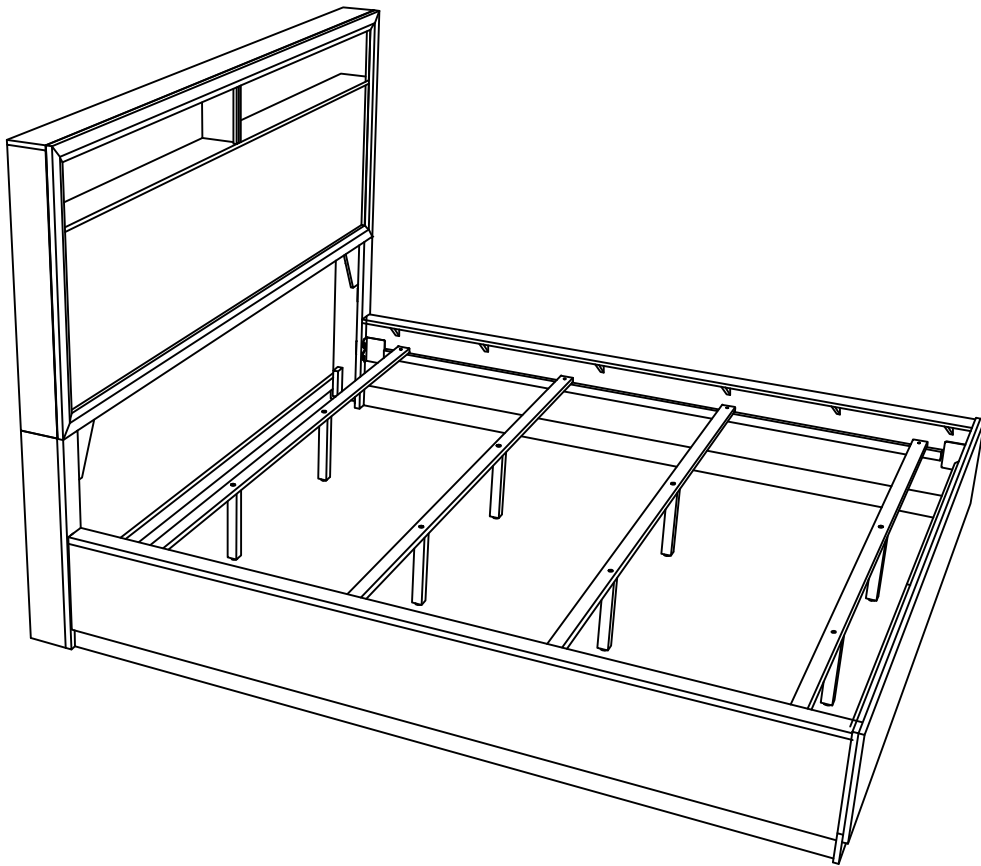
Align slats (#6) evenly to the side rails, then secure by using screws (#B)



#6



Assembly Instructions



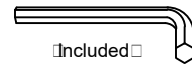
ASSEMBLY RATING

The Assembly Rating is a 5-point system that shows the degree of effort needed in assembling a specific product with 1 being easy and 5 being difficult. For some products, two persons are recommended.

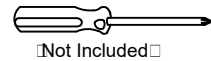
EASY  DIFFICULT

Tools Required For Assembly

Allen Wrench



Phillips Screwdriver

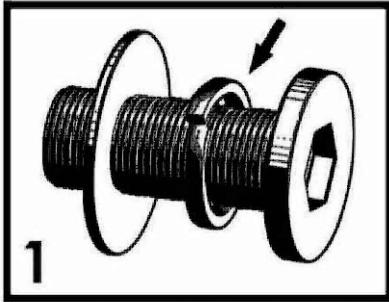


2 PERSONS RECOMMENDED

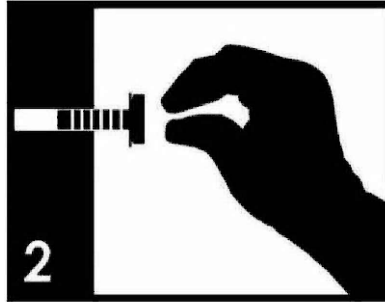
ASSEMBLY & CARE ADVICE

FOR YOUR FURNITURE TO LAST, CORRECT ASSEMBLY AND PROPER MAINTENANCE ARE NECESSARY. PLEASE FOLLOW THE INFORMATION PROVIDED BELOW TO FULLY ENJOY YOUR FURNITURE.

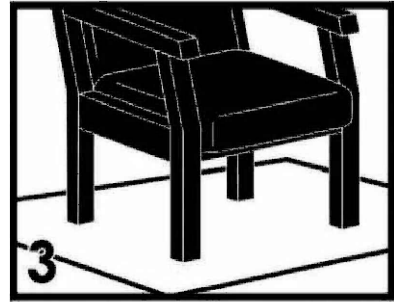
BASIC ASSEMBLY TECHNIQUES



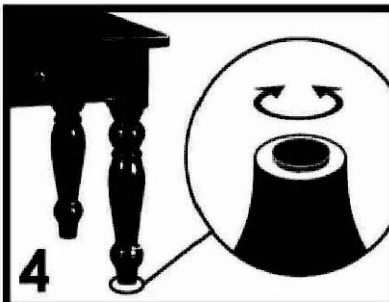
1
When lock or spring washer is used in an assembly, please make sure the lock or spring washer is placed between the larger flat washer and the head of the screw or bolt.



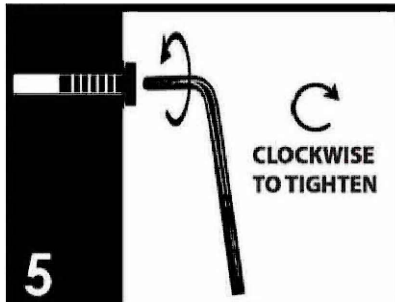
2
Position each part correctly and insert screws or bolts into their respective holes by hand tighten or using the proper hand tool. Only tighten when step is completed or when instructed to do so.



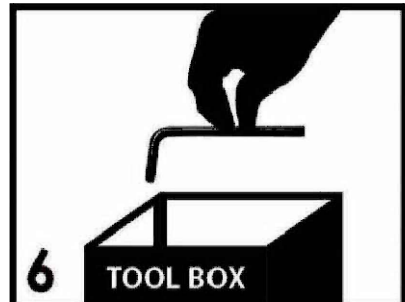
3
Use cardboard or carpet area when assembling furniture to prevent scratches. Make sure the furniture rests on a flat and level surface with each leg evenly touching the floor. No dragging of products/parts.



4
Some furniture comes with height adjustment knobs underneath each leg. To lower or to raise each leg, you need to turn clockwise or counterclockwise, respectively.



5
Make sure all parts are properly aligned, then use the appropriate hand tool to completely tighten the bolts or screws. Do not use power tools and do not overtighten.

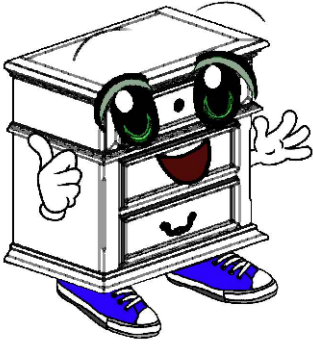


6
Save the instructions and store the Allen wrench or any supplied tool for later maintenance. After two weeks, check and tighten any loose hardware and repeat again every six months thereafter.

IT IS THE USER'S RESPONSIBILITY TO MAINTAIN THE FURNITURE. THE HARDWARE MAY LOOSEN OVER TIME AND MAY CAUSE THE FURNITURE TO BE WOBBLY AND UNABLE TO SUPPORT ITS INTENDED WEIGHT CAPACITY. THIS MAY LEAD TO COLLAPSE AND MAY CAUSE SERIOUS INJURY.





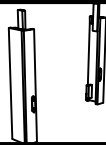


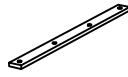
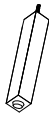
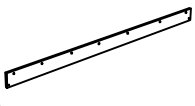

FAILURE TO FOLLOW THE GUIDELINES ABOVE MAY RESULT IN INJURY AND/OR PROPERTY DAMAGE.








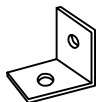
Before you begin, please read Page □ of "Assembly and Care Advice".

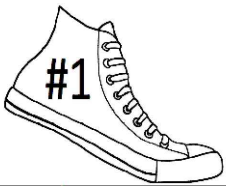
And remember, do not tighten until each step is completed or instructed.

Parts List

- 
#1 x 1pc
Headboard Panel
- 
#2 x 2pcs
Headboard Corner Panel
- 
#3 x 2pcs
Headboard Leg L□R□
- 
#4 x 1pc
Footboard
- 
#5 x 2pcs
Side Rail
- 
#6 x 4pcs
Bed Slat
- 
#7 x 8pcs Ø5/16"
Bed Slat Support
230X30X30mmL
- 
#8 x 1pc
Back Center Support
- 
#9 x 1pc
Back Rail Support

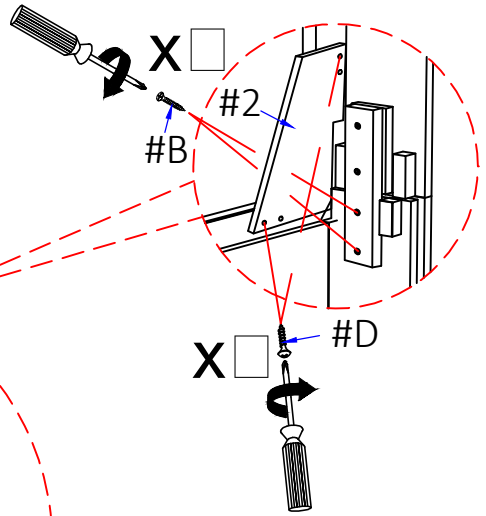
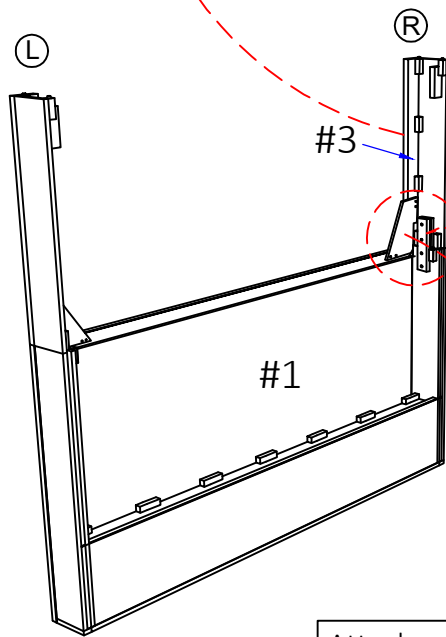
Hardware List

- 
#A x 1pc
Allen Key m□
- 
#B x 6pcs
CSK m□ x □□mm
- 
#C x 9pcs
CSK m□ x □□mm
- 
#D x 8pcs
Pan Head Screw
m□□ x □□mm
- 
#E x 16pcs
Pan Head Screw
m□□ x □□mm
- 
#F x 8pcs
L□Bracket



Attach Head Board Leg (#3) to Head Board (#1) then secure by using screws (#B)

#B x 4pcs
#D x 8pcs

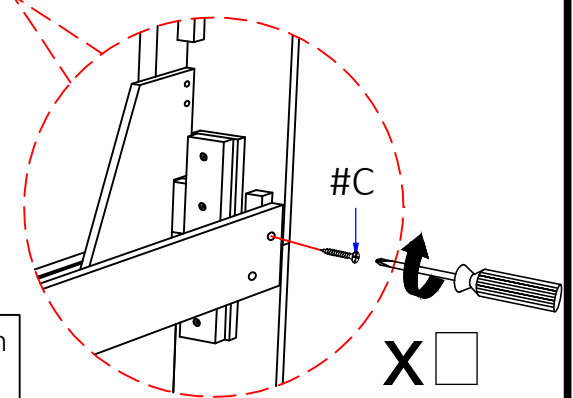
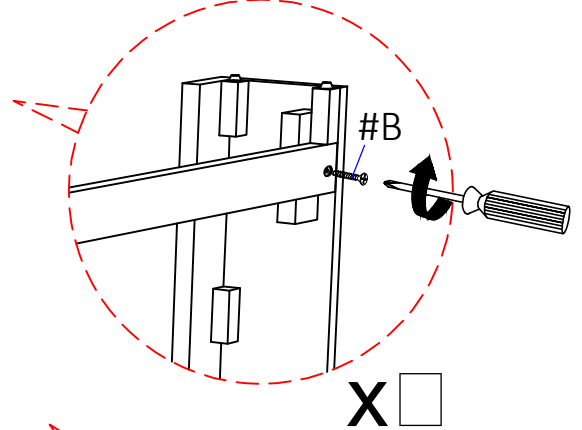
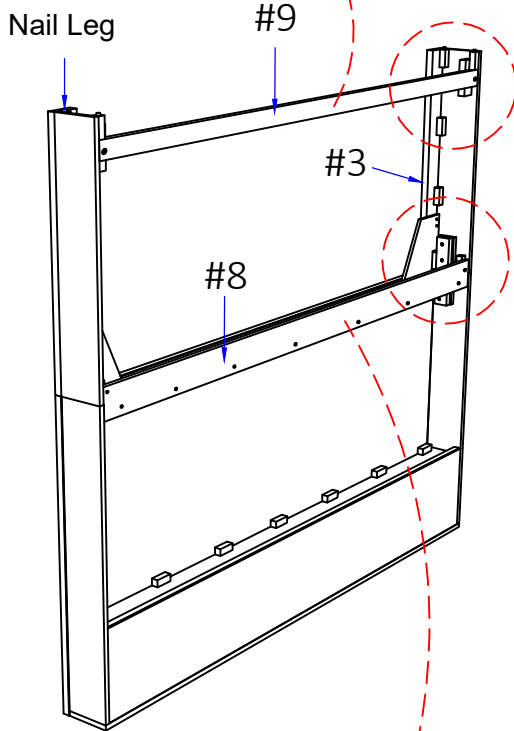


Attach and tighten Headboard Corner Panel (#2) to the Headboard and secure by using Panhead screw (#D).

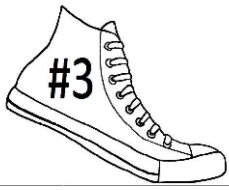


Attach Back Rail support (#9) to the Headboard Leg (#3) and secure by using screws (#B)

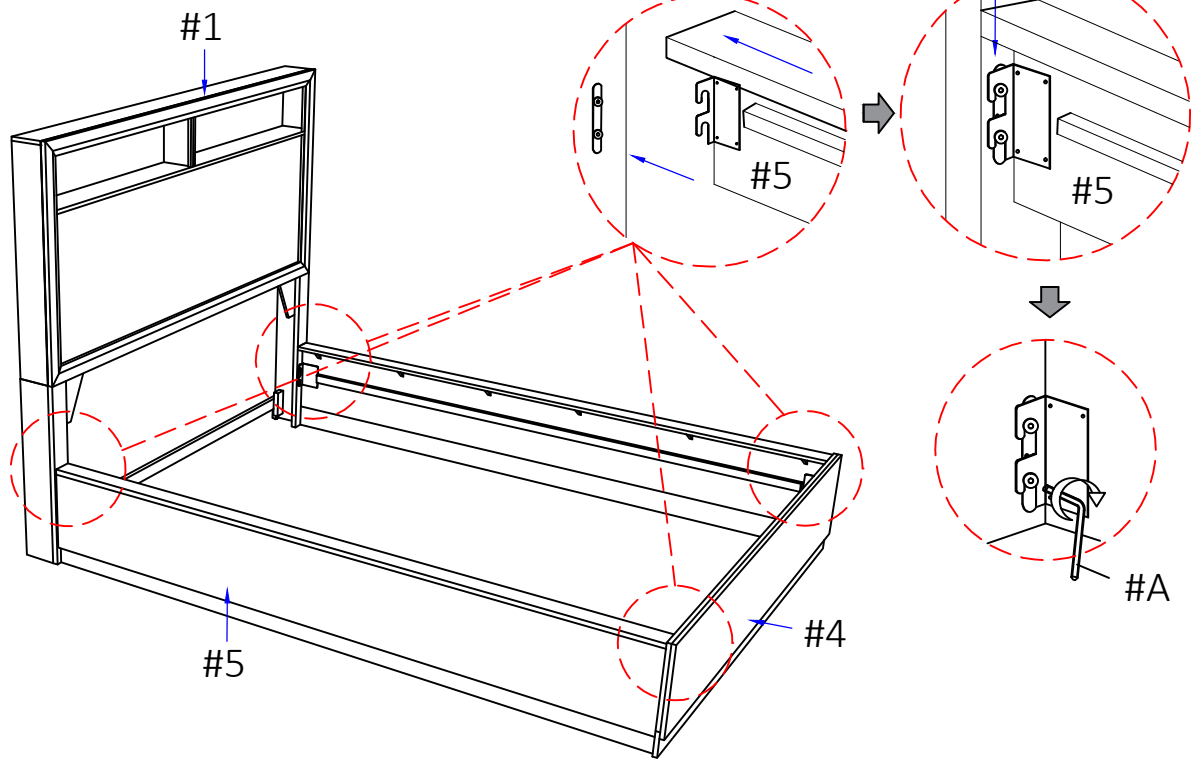
#B x 2pcs
#C x 9pcs



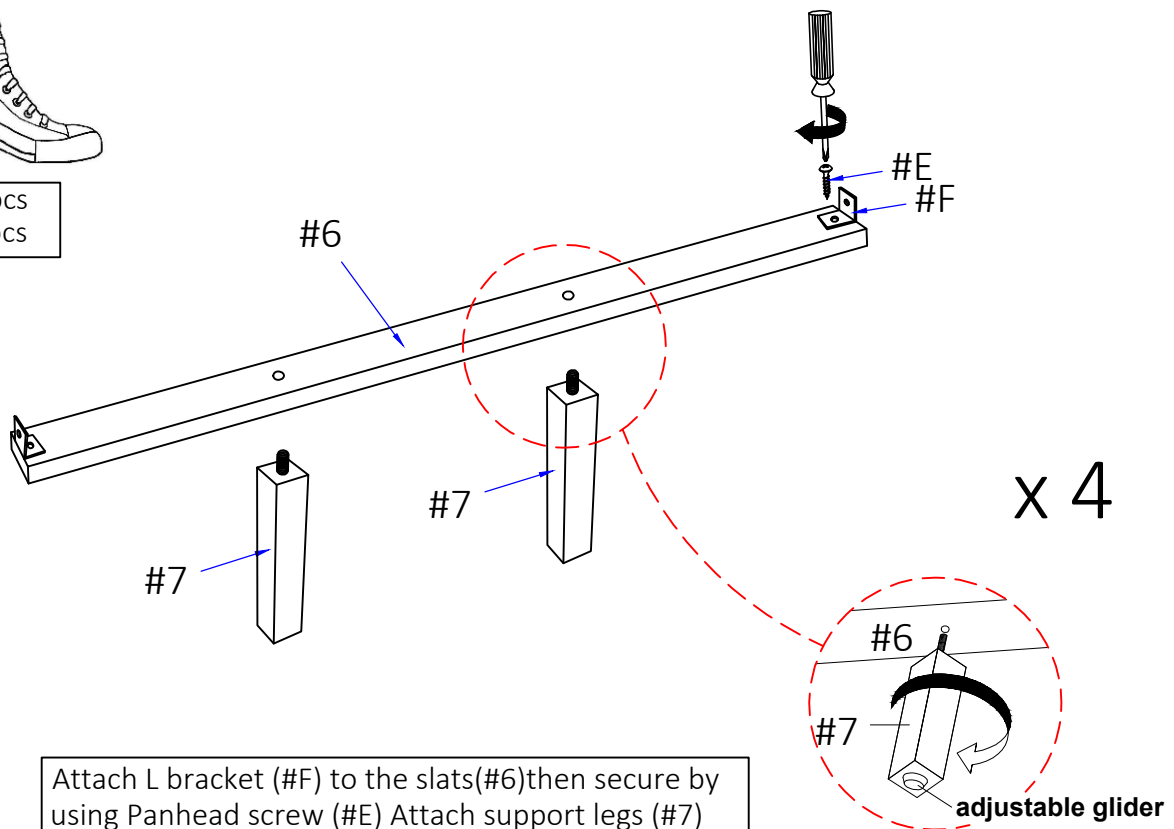
Attach Back center support (#8) to the Headboard Leg (#3) then secure by using screws (#C)



Align side rails (#5) to the bolts of the Headboard Leg(#3) and footboard (#4). Fully tighten the bolts.



#E x 8pcs
#F x 8pcs



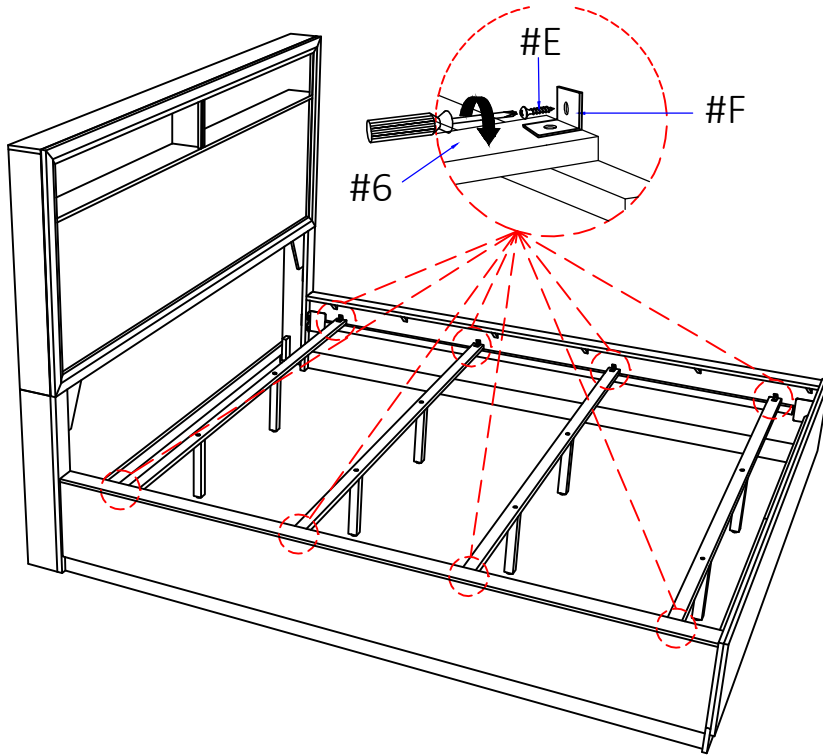
Attach L bracket (#F) to the slats(#6) then secure by using Panhead screw (#E) Attach support legs (#7) to the slats (#6), then adjust the leveler according to ground level.



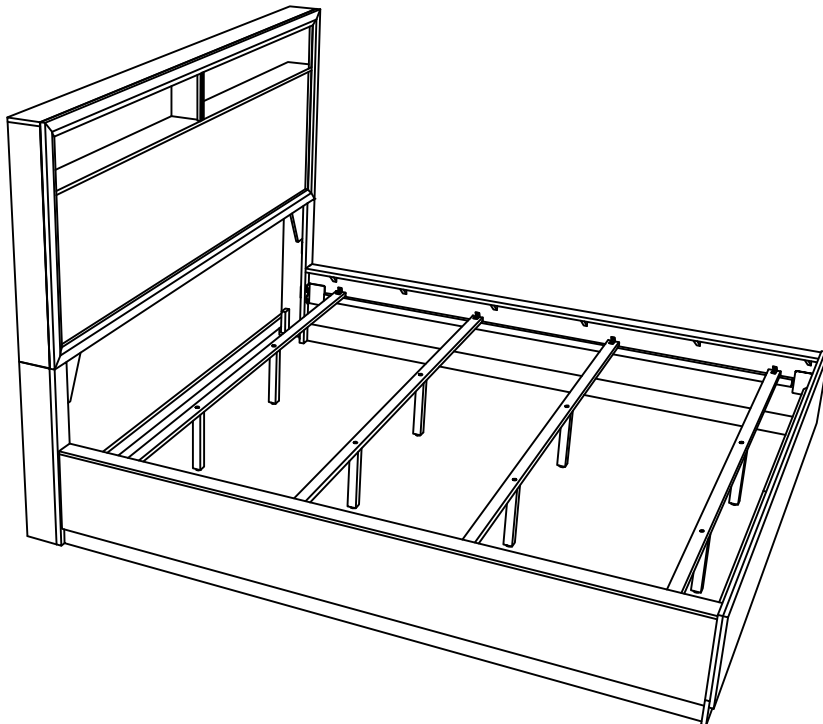
#5

#E x 8pcs

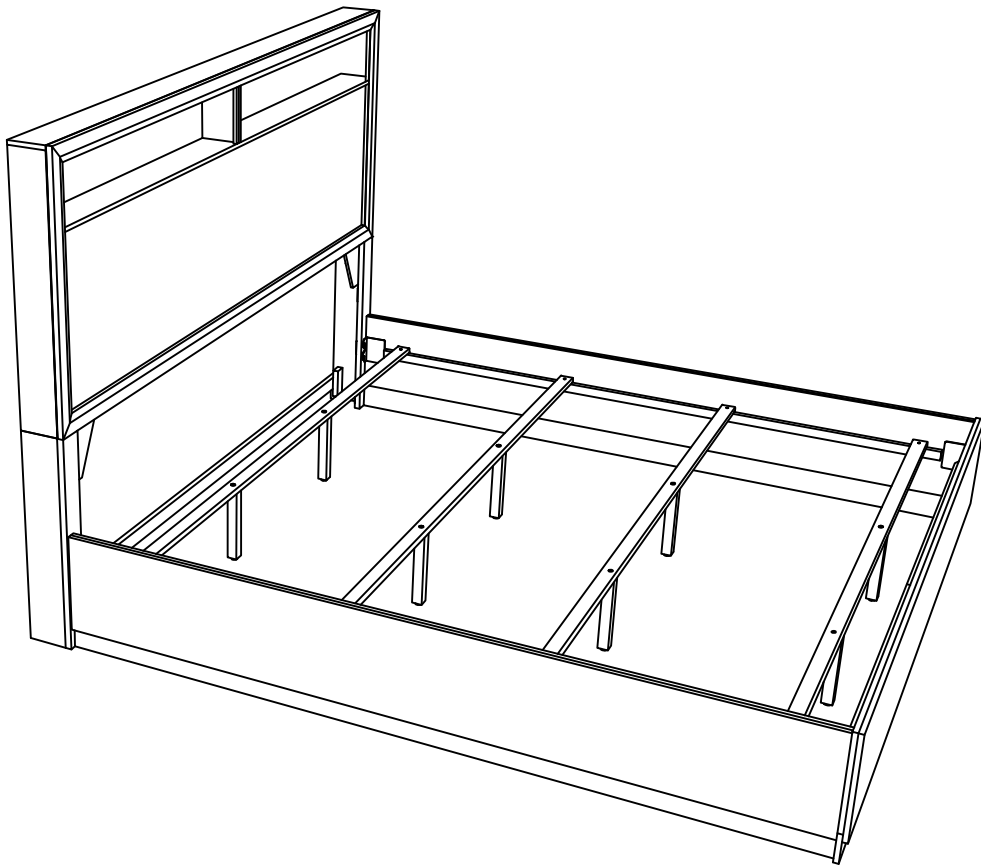
Align slats (#6) evenly to the side rails, then secure by using screws (#E)



#6



Assembly Instructions



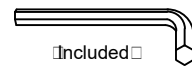
ASSEMBLY RATING

The Assembly Rating is a 5-point system that shows the degree of effort needed in assembling a specific product with 1 being easy and 5 being difficult. For some products, two persons are recommended.

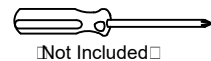
EASY  DIFFICULT

Tools Required For Assembly

Allen Wrench



Phillips Screwdriver

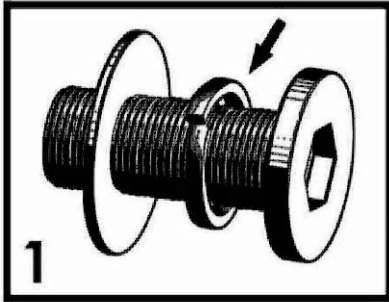


2 PERSONS RECOMMENDED

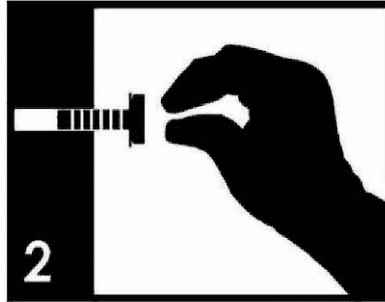
ASSEMBLY & CARE ADVICE

FOR YOUR FURNITURE TO LAST, CORRECT ASSEMBLY AND PROPER MAINTENANCE ARE NECESSARY. PLEASE FOLLOW THE INFORMATION PROVIDED BELOW TO FULLY ENJOY YOUR FURNITURE.

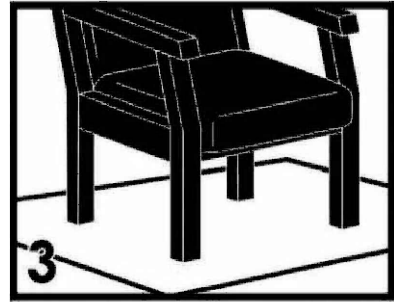
BASIC ASSEMBLY TECHNIQUES



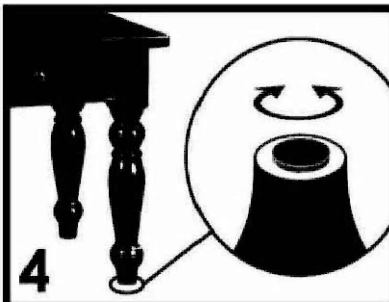
1
When lock or spring washer is used in an assembly, please make sure the lock or spring washer is placed between the larger flat washer and the head of the screw or bolt.



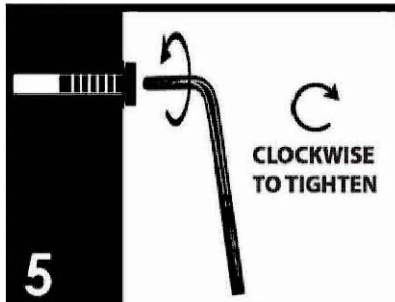
2
Position each part correctly and insert screws or bolts into their respective holes by hand tighten or using the proper hand tool. Only tighten when step is completed or when instructed to do so.



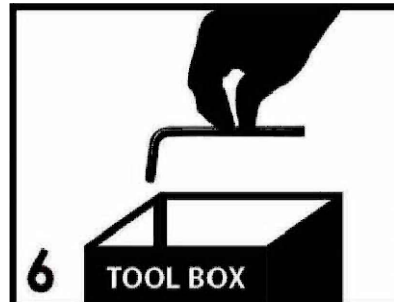
3
Use cardboard or carpet area when assembling furniture to prevent scratches. Make sure the furniture rests on a flat and level surface with each leg evenly touching the floor. No dragging of products/parts.



4
Some furniture comes with height adjustment knobs underneath each leg. To lower or to raise each leg, you need to turn clockwise or counterclockwise, respectively.



5
Make sure all parts are properly aligned, then use the appropriate hand tool to completely tighten the bolts or screws. Do not use power tools and do not overtighten.

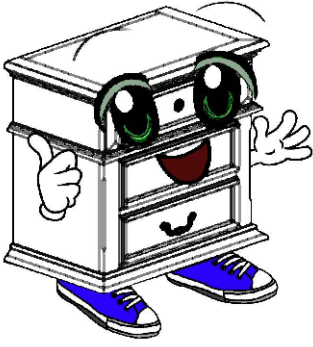


6
Save the instructions and store the Allen wrench or any supplied tool for later maintenance. After two weeks, check and tighten any loose hardware and repeat again every six months thereafter.

IT IS THE USER'S RESPONSIBILITY TO MAINTAIN THE FURNITURE. THE HARDWARE MAY LOOSEN OVER TIME AND MAY CAUSE THE FURNITURE TO BE WOBBLY AND UNABLE TO SUPPORT ITS INTENDED WEIGHT CAPACITY. THIS MAY LEAD TO COLLAPSE AND MAY CAUSE SERIOUS INJURY.





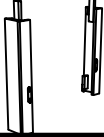



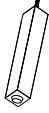
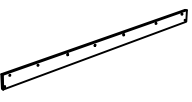

FAILURE TO FOLLOW THE GUIDELINES ABOVE MAY RESULT IN INJURY AND/OR PROPERTY DAMAGE.




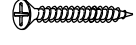

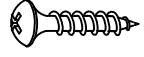
Before you begin, please read Page of "Assembly and Care Advice".

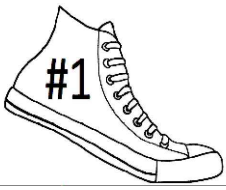
And remember, do not tighten until each step is completed or instructed.

Parts List

- 
#1 x 1pc
Headboard Panel
- 
#2 x 2pcs
Headboard Corner Panel
- 
#3 x 2pcs
Headboard Leg LR
- 
#4 x 1pc
Footboard
- 
#5 x 2pcs
Side Rail
- 
#6 x 4pcs
Bed Slat
- 
#7 x 8pcs Ø5/16"
Bed Slat Support
230X30X30mmL
- 
#8 x 1pc
Back Center Support
- 
#9 x 1pc
Back Rail Support

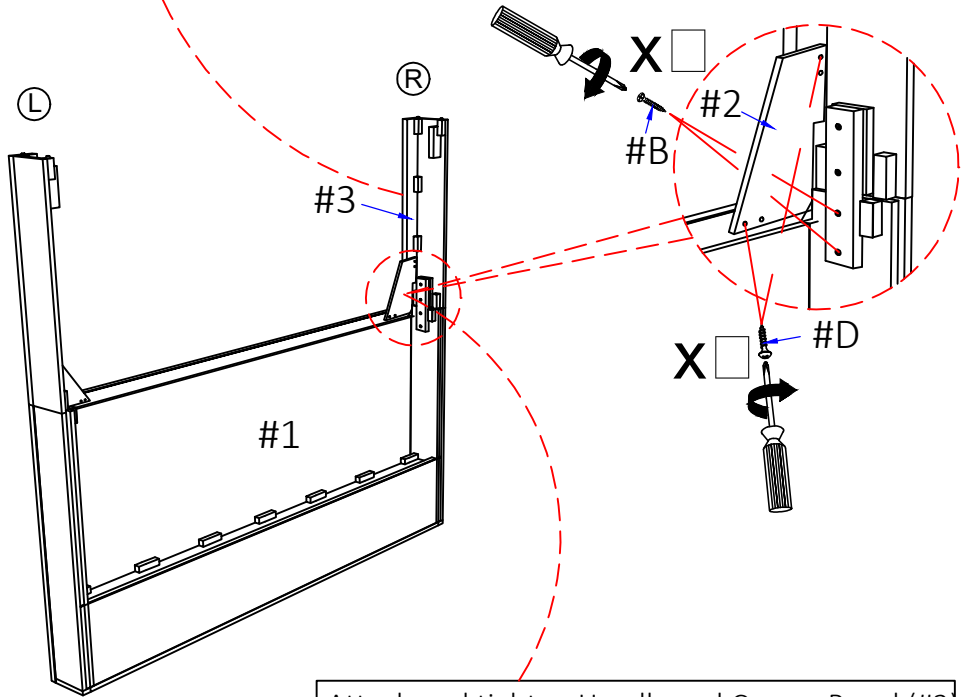
Hardware List

- 
#A x 1pc
Allen Key m
- 
#B x 14pcs
CSK m x mm
- 
#C x 9pcs
CSK m x mm
- 
#D x 8pcs
Pan Head Screw
mx mm



Attach Head Board Leg (#3) to Head Board (#1) then secure by using screws (#B)

#B x 4pcs
#D x 8pcs

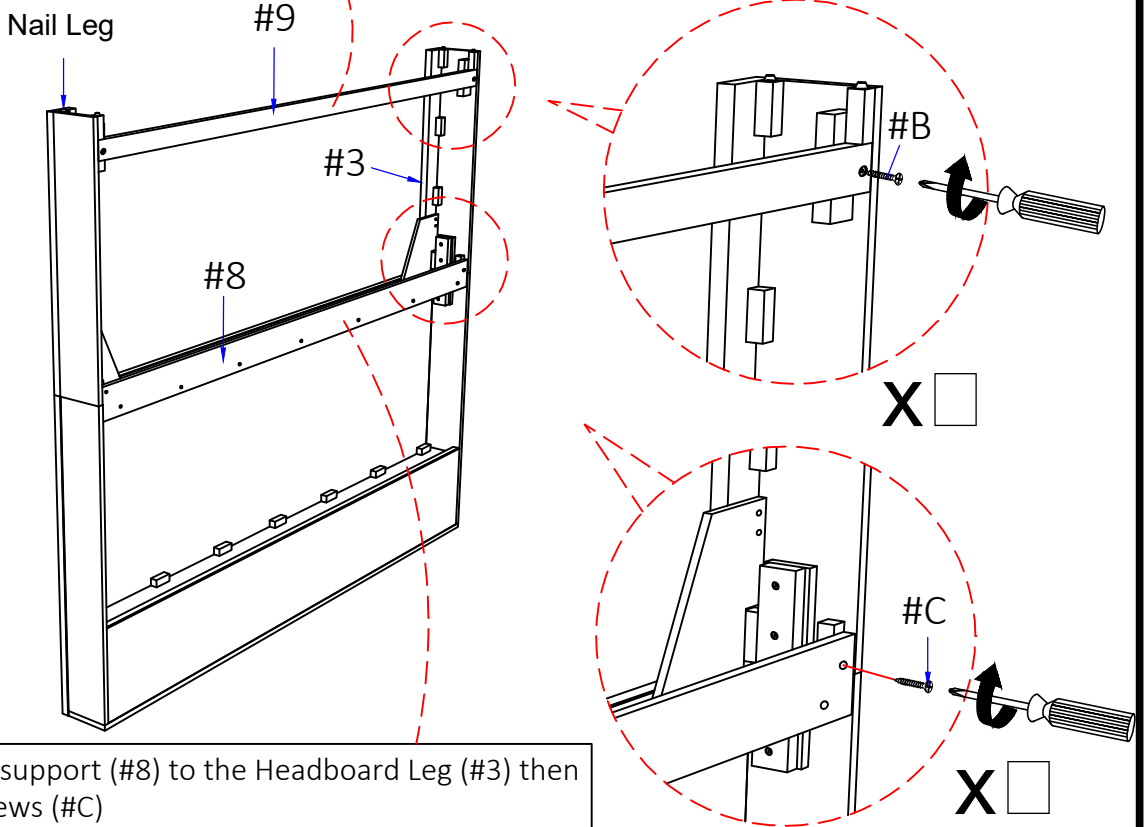


Attach and tighten Headboard Corner Panel (#2) to the Headboard and secure by using Panhead screw (#D).

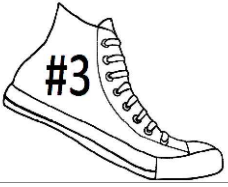


Attach Back Rail support (#9) to the Headboard Leg (#3) and secure by using screws (#B)

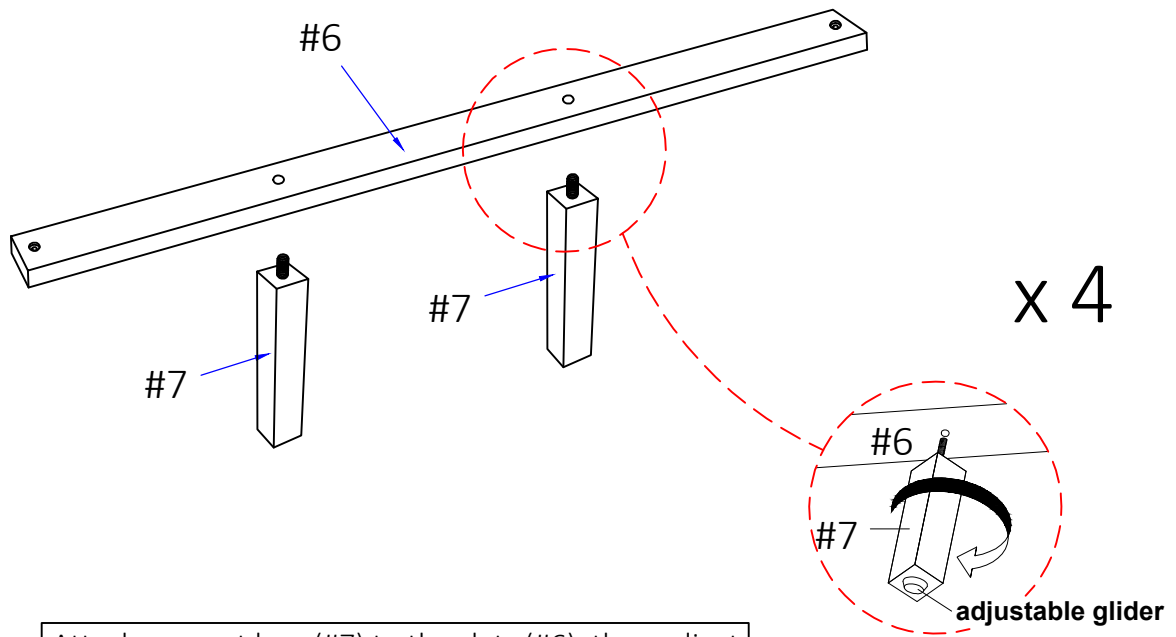
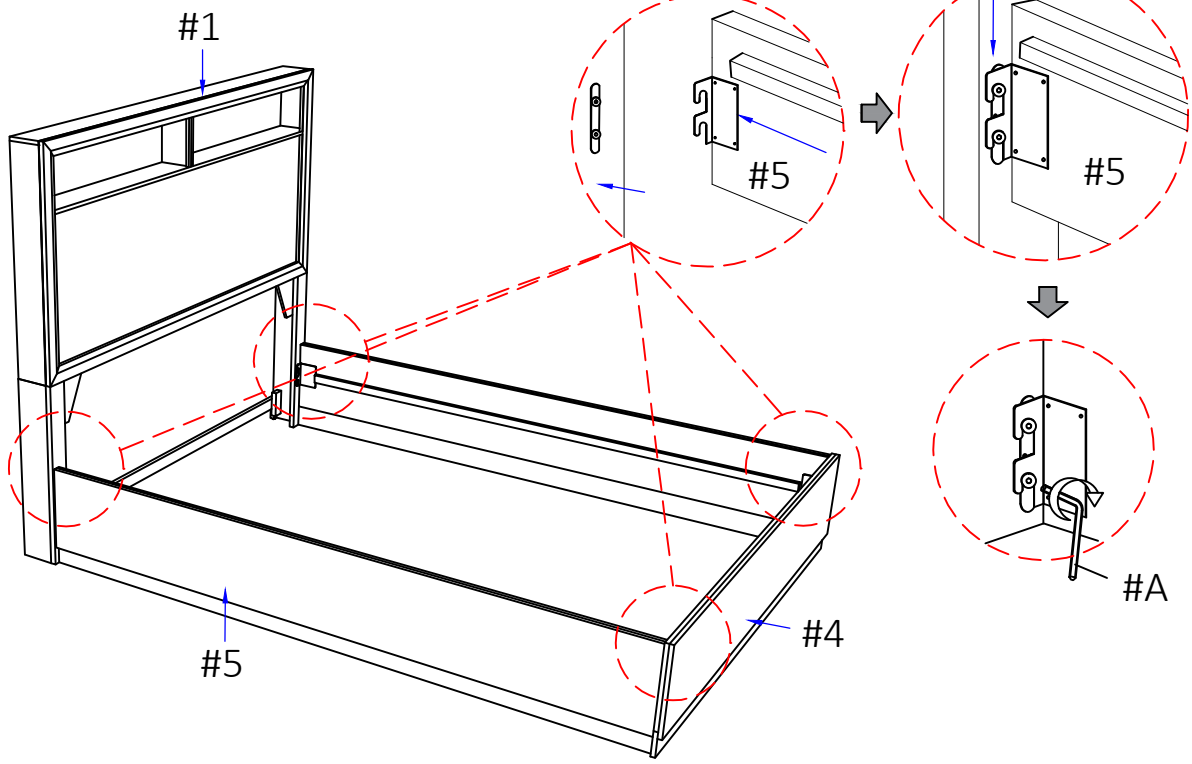
#B x 2pcs
#C x 9pcs



Attach Back center support (#8) to the Headboard Leg (#3) then secure by using screws (#C)



Align side rails (#5) to the bolts of the Headboard Leg(#3) and footboard (#4). Fully tighten the bolts.



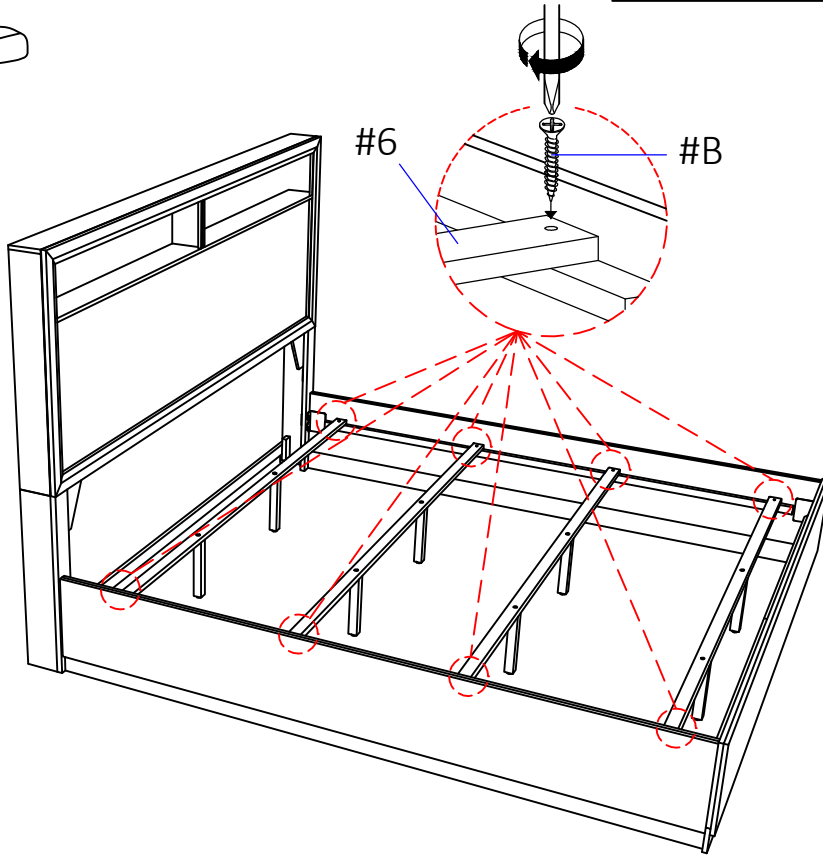
Attach support legs (#7) to the slats (#6), then adjust the leveler according to ground level.



#5

#B x 8pcs

Align slats (#6) evenly to the side rails, then secure by using screws (#B)



#6

