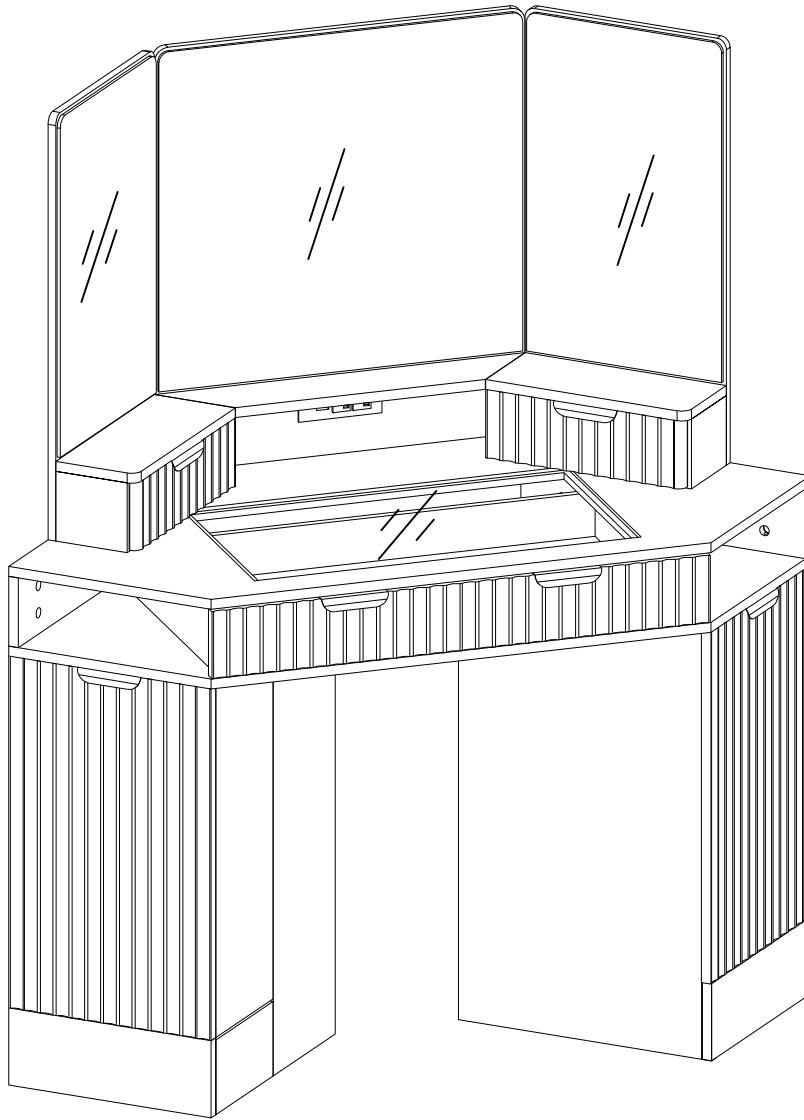


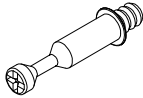
Dresser



ASSEMBLY INSTRUCTION

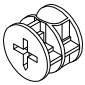
Hardware List

A x 138



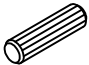
M6*35mm

B x 138




∅15*10mm

C x 7




∅6*30mm

D x 54



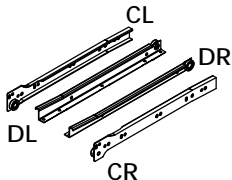
∅3.5*12mm

E x 12



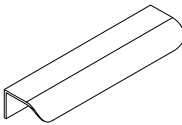
∅3.5*35mm

F x 1

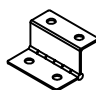


CL
DL
DR
CR

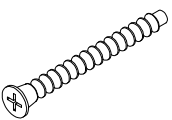
G x 6



H x 4

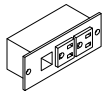


J x 3

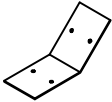


∅5*40mm

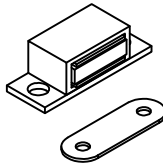
K x 1



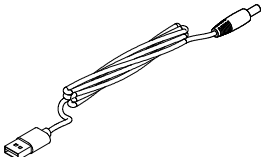
L x 2



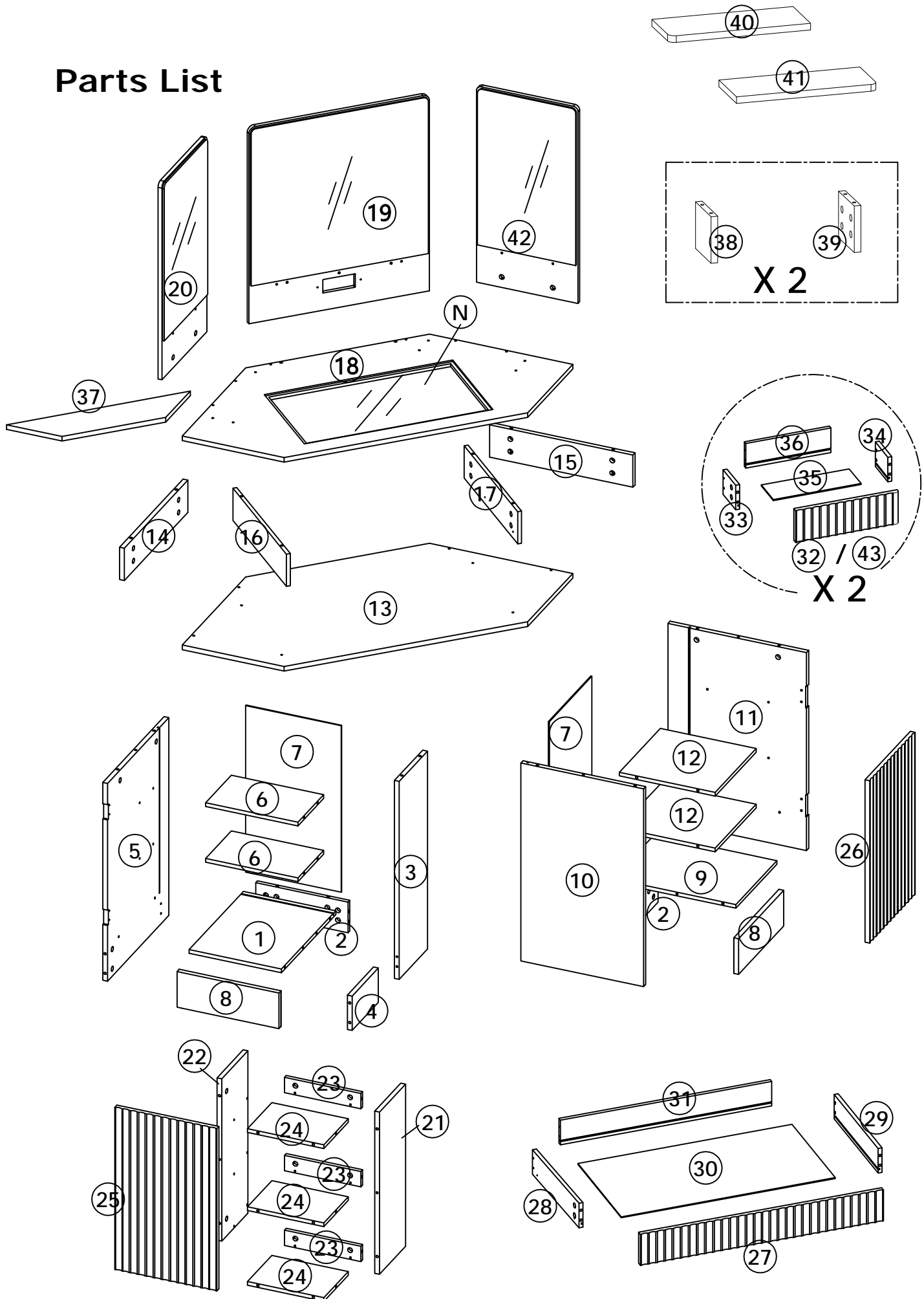
M x 2





O x 1

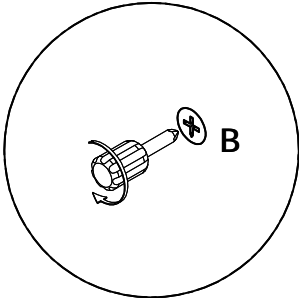
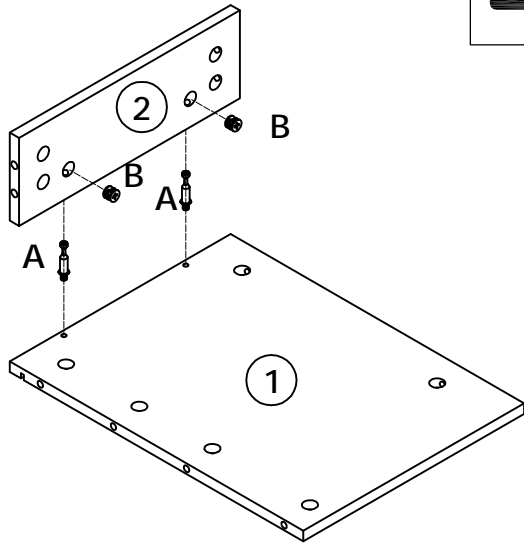
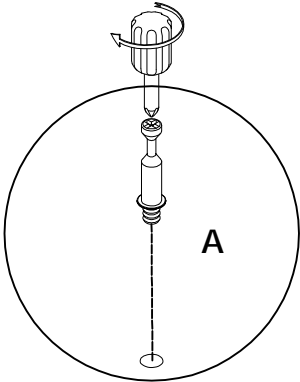
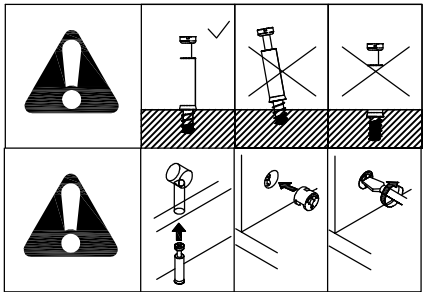


Parts List





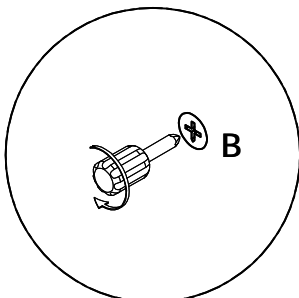
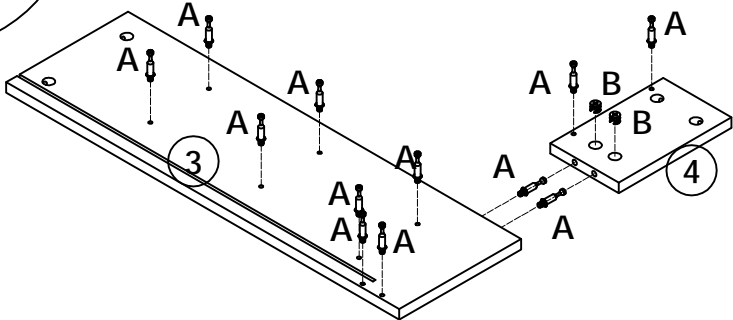
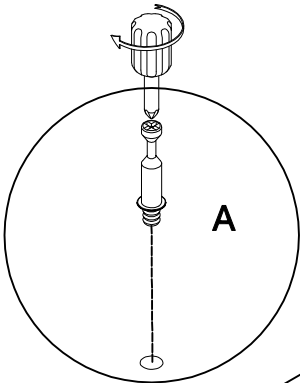
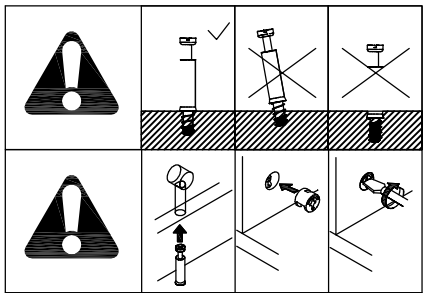
STEP 1

A x 2  M6*35mm	B x 2  Ø15*10mm
---	--

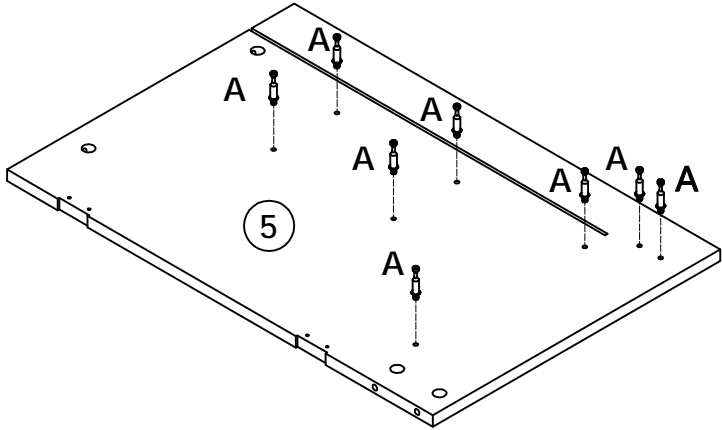
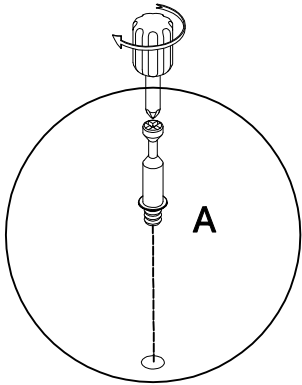
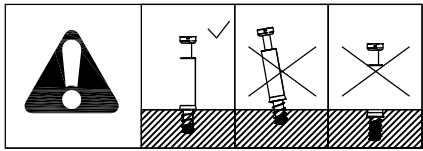
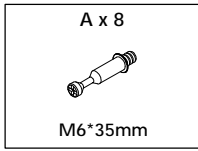


STEP 2

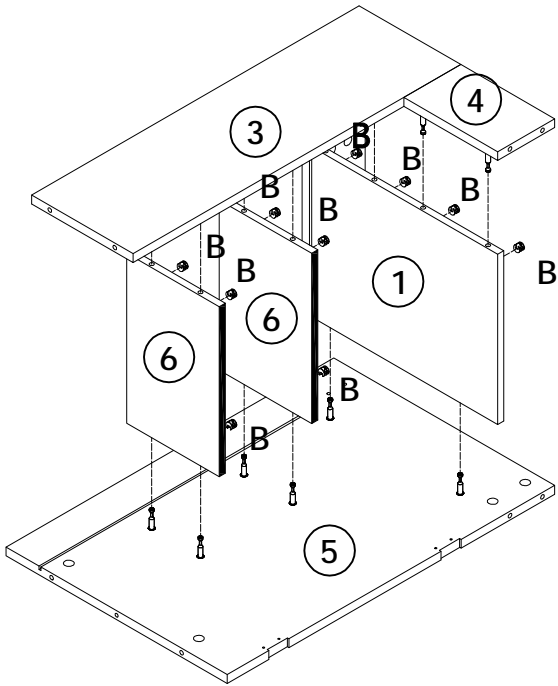
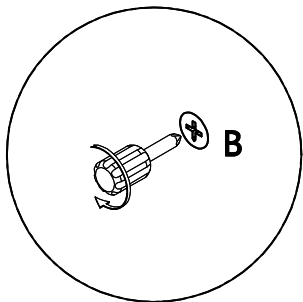
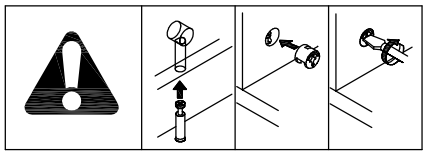
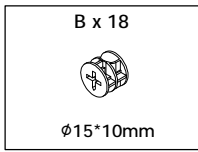
A x 12  M6*35mm	B x 2  Ø15*10mm
--	--






STEP 3

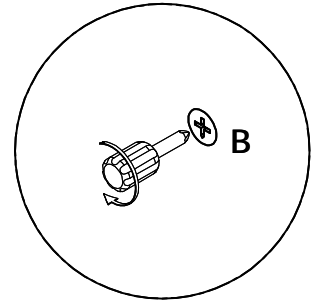
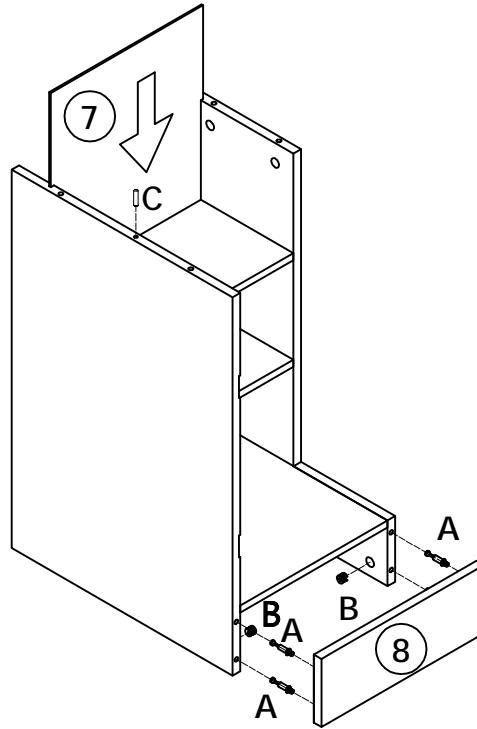
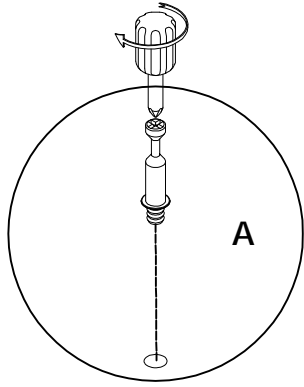
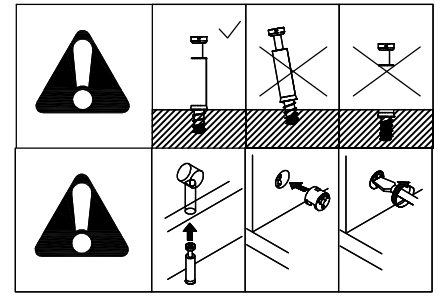


STEP 4





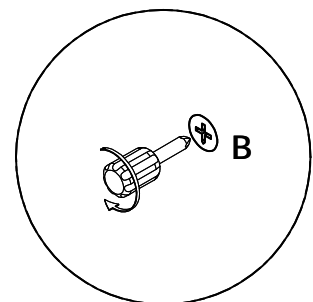
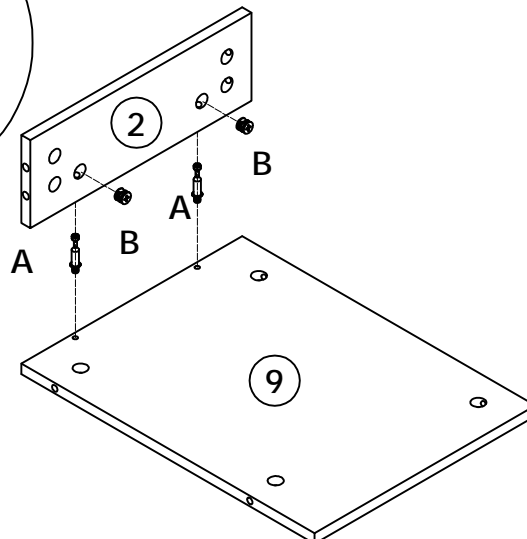
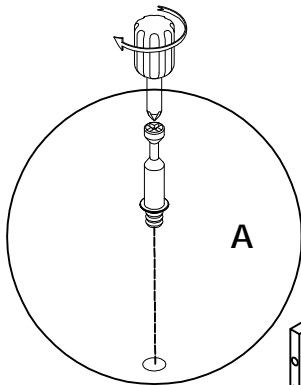
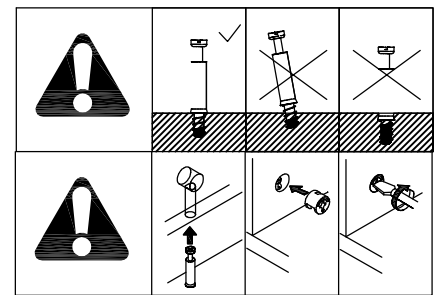
STEP 5

A x 4  M6*35mm	B x 4  Ø15*10mm	C x 1  Ø6*30mm
---	--	---

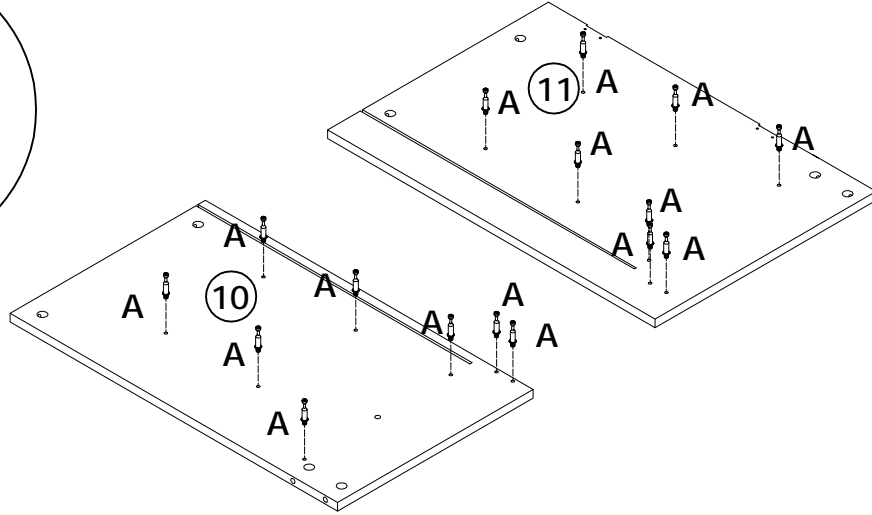
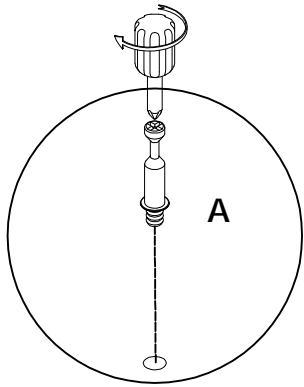
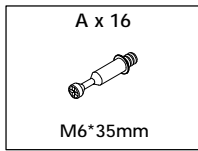


STEP 6

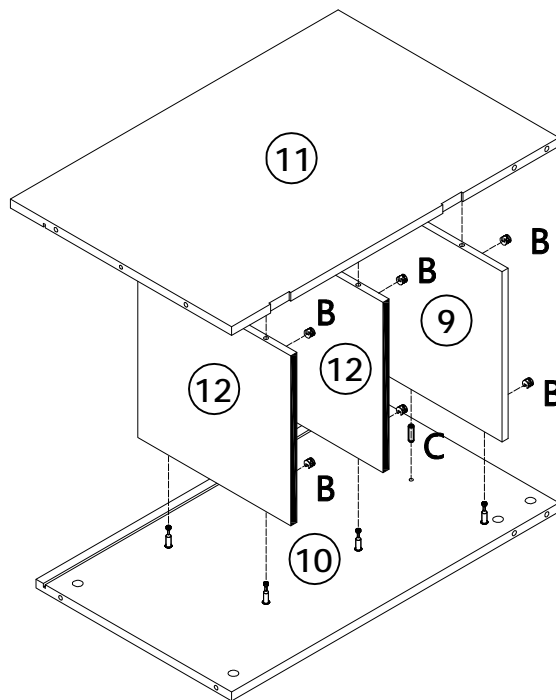
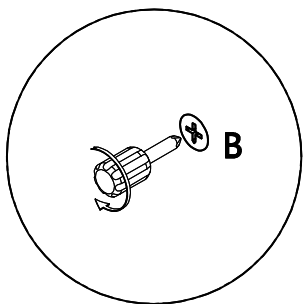
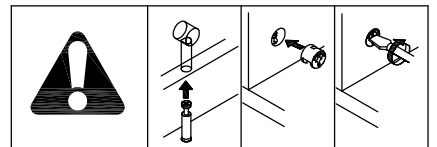
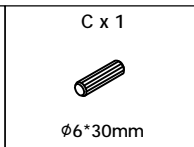
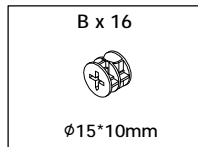
A x 2  M6*35mm	B x 2  Ø15*10mm
---	--






STEP 7

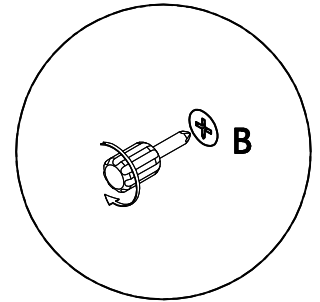
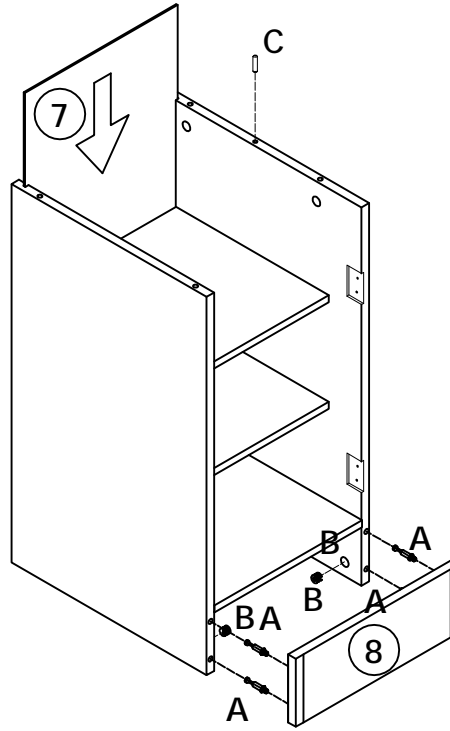
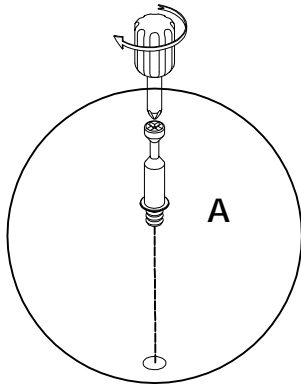
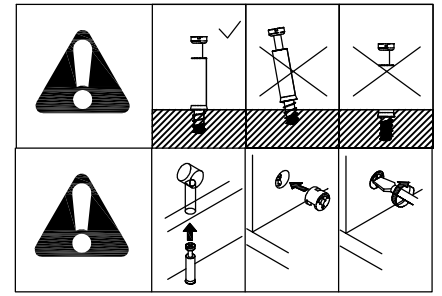


STEP 8






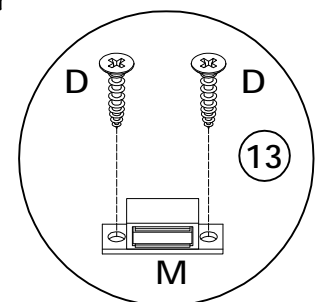
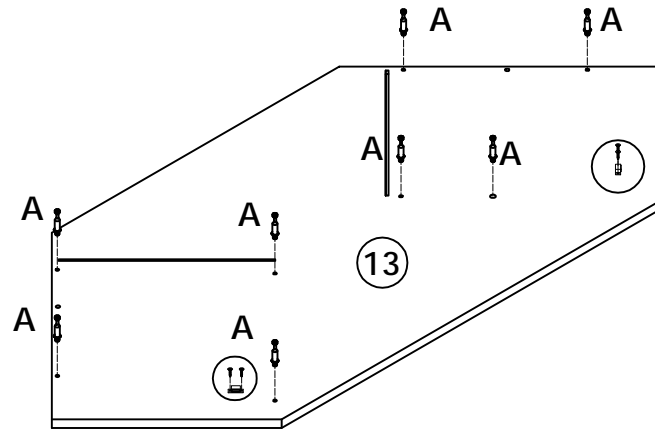
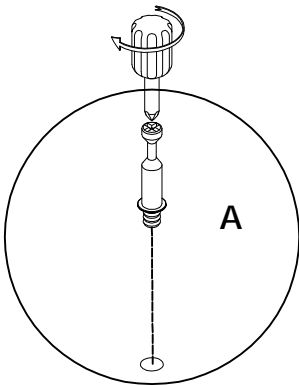
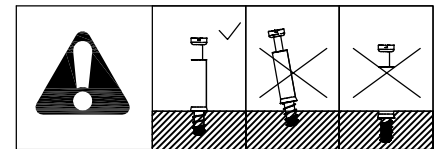
STEP 9

A x 4  M6*35mm	B x 4  Ø15*10mm	C x 1  Ø6*30mm
---	--	---

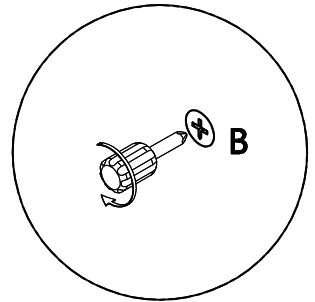
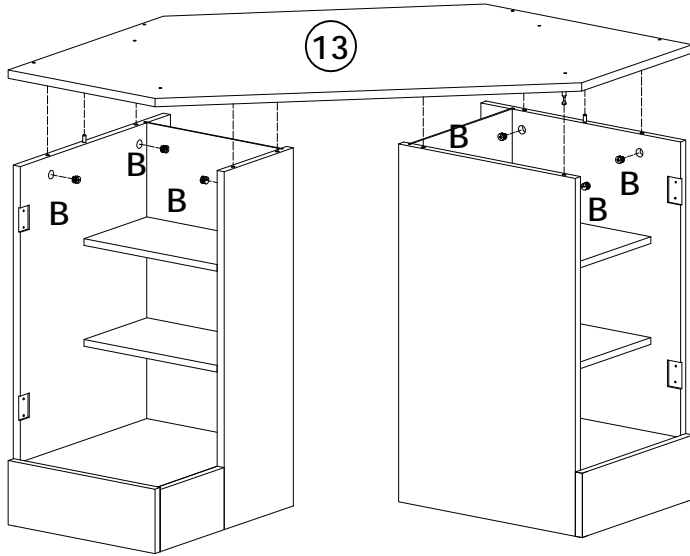
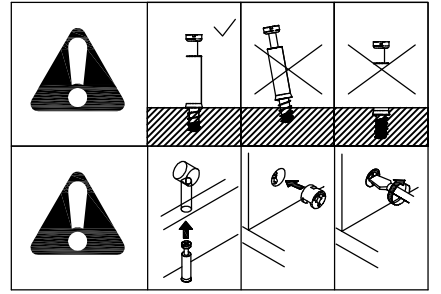
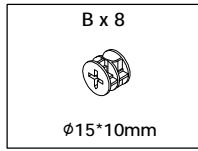


STEP 10

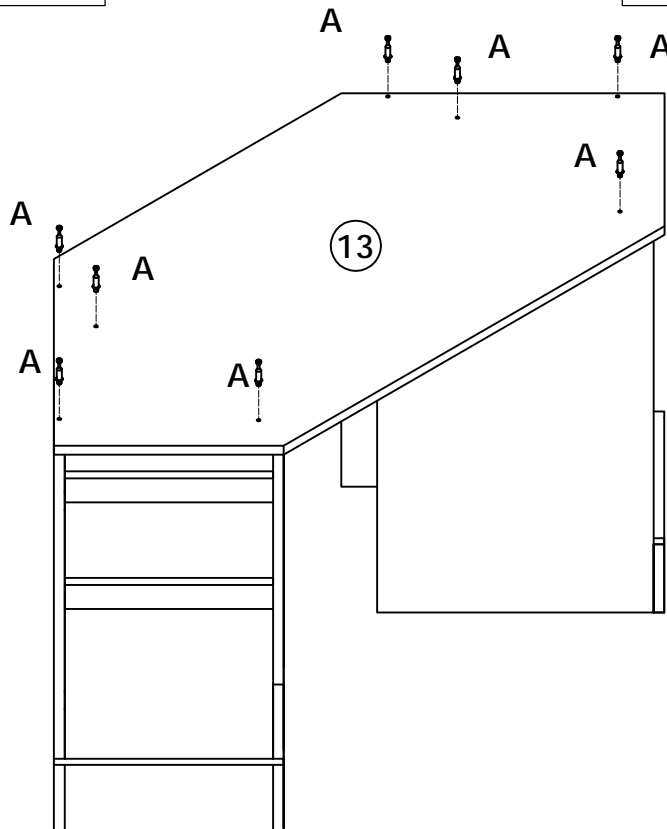
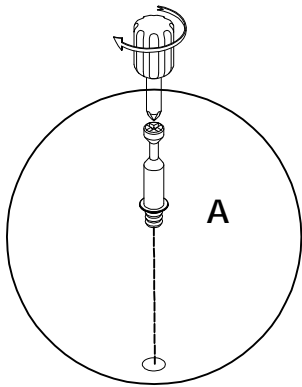
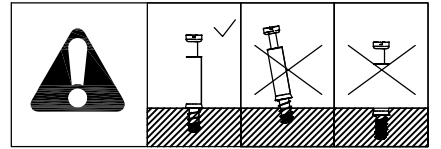
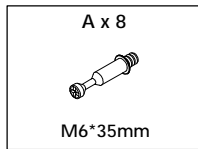
A x 8  M6*35mm	D x 4  Ø3.5*12mm	M x 2  Ø3.5*12mm
---	---	---



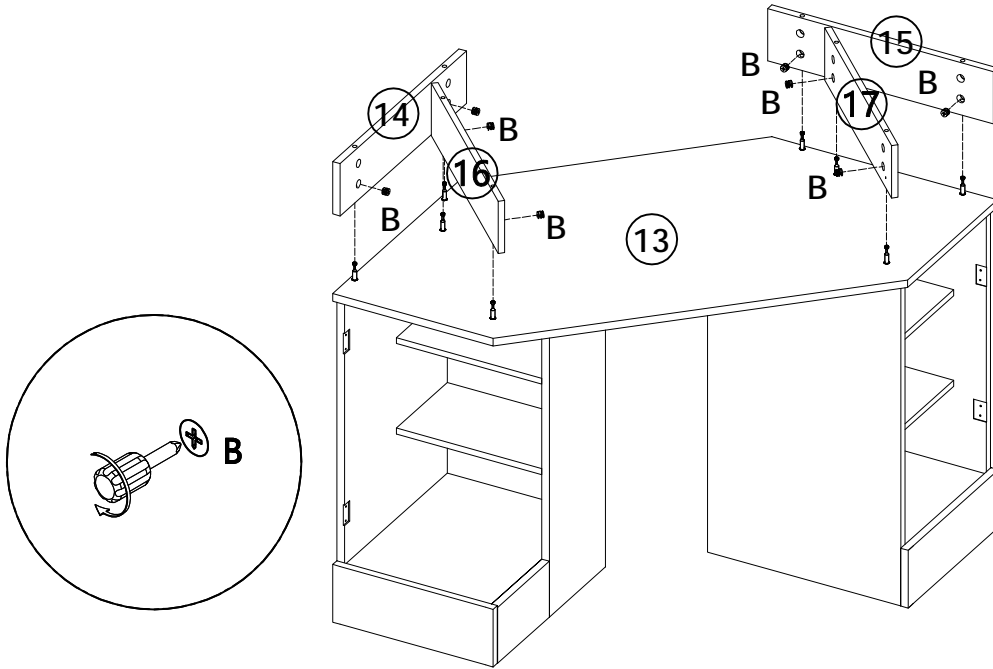
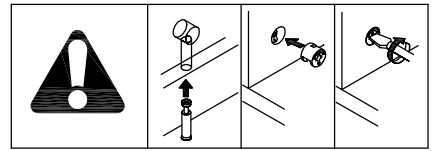
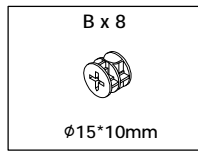
STEP 11



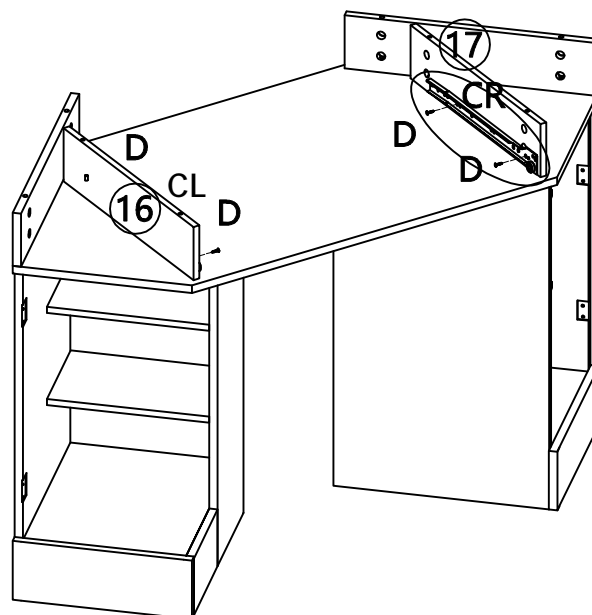
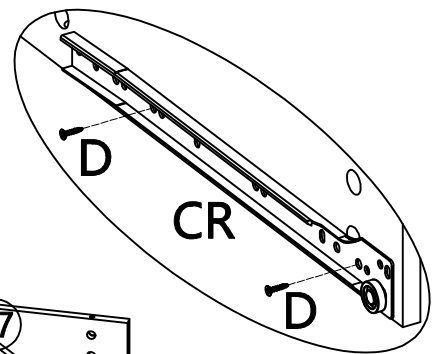
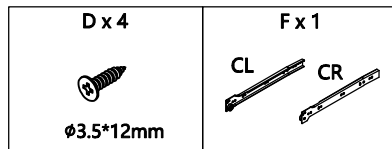
STEP 12



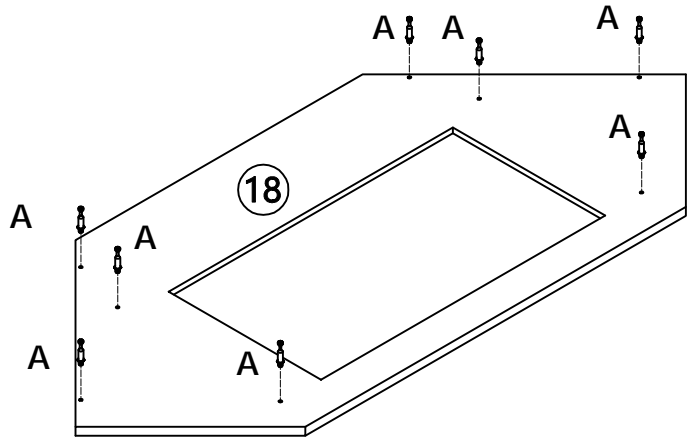
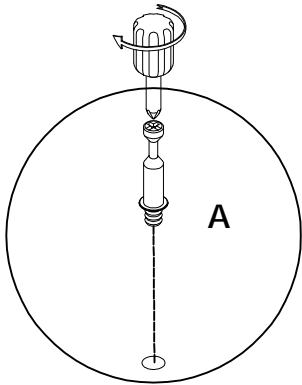
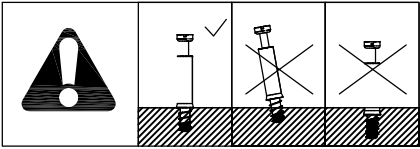
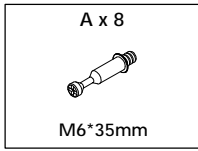
STEP 13



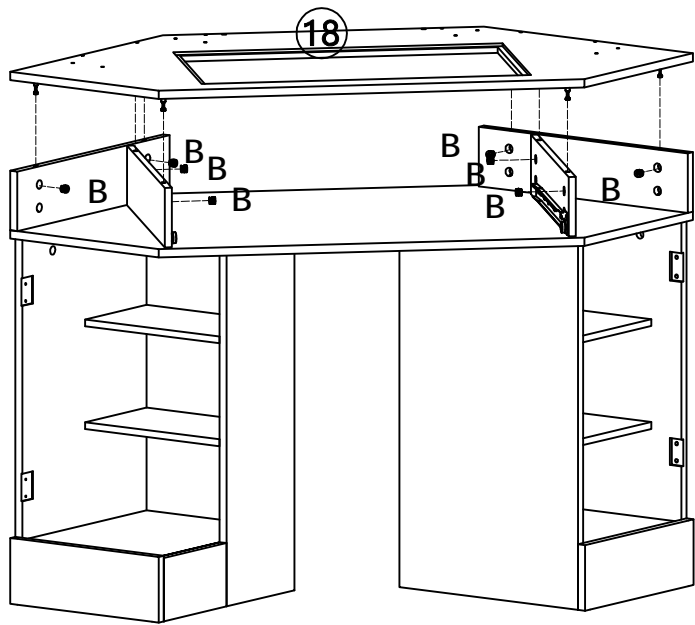
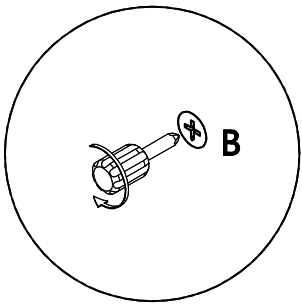
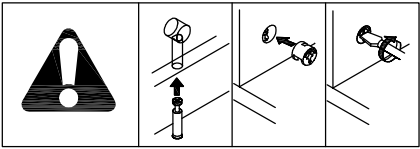
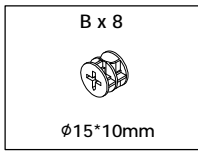
STEP 14



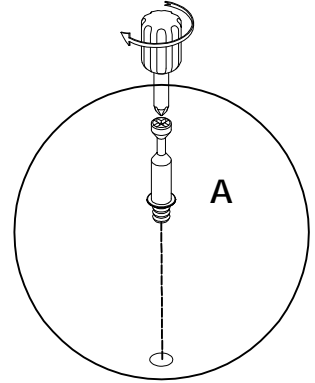
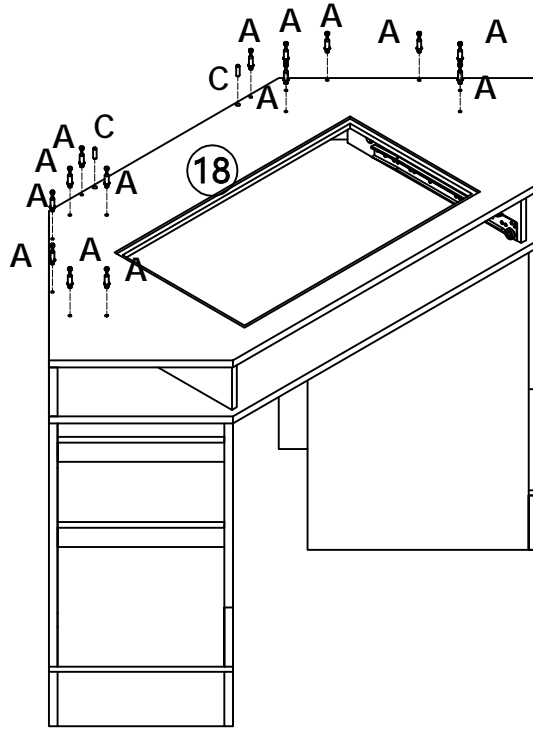
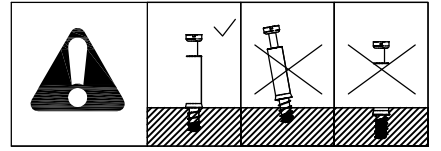
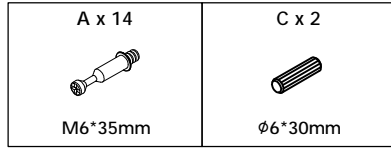
STEP 15



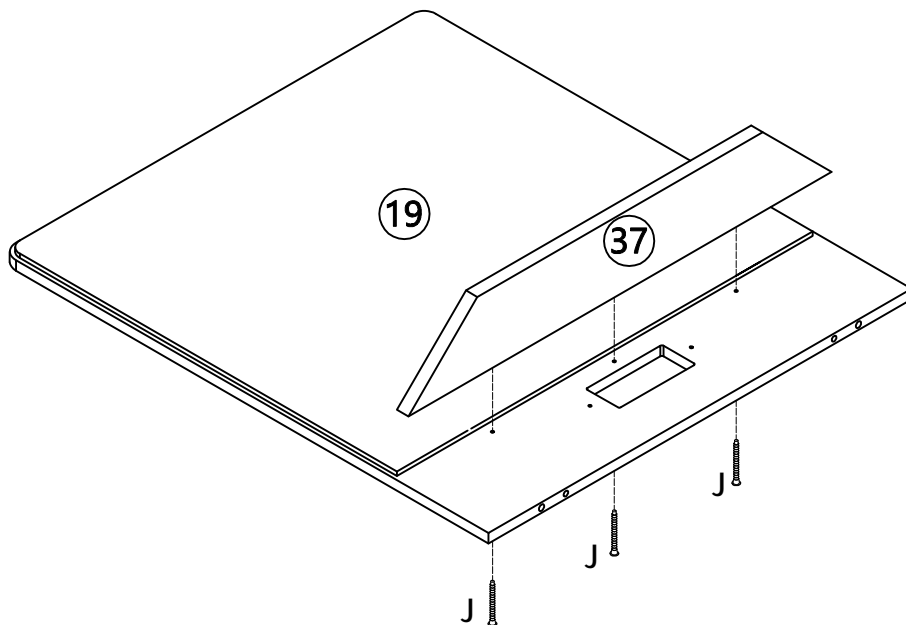
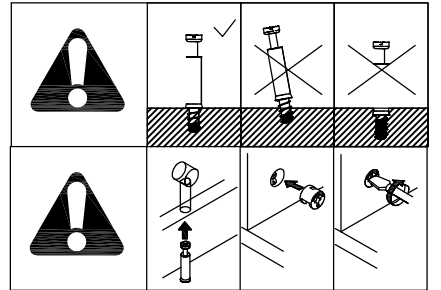
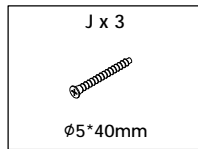
STEP 16




STEP 17

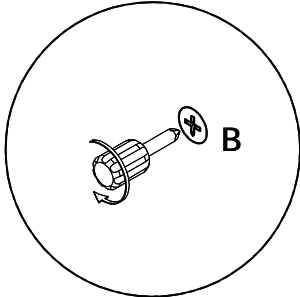
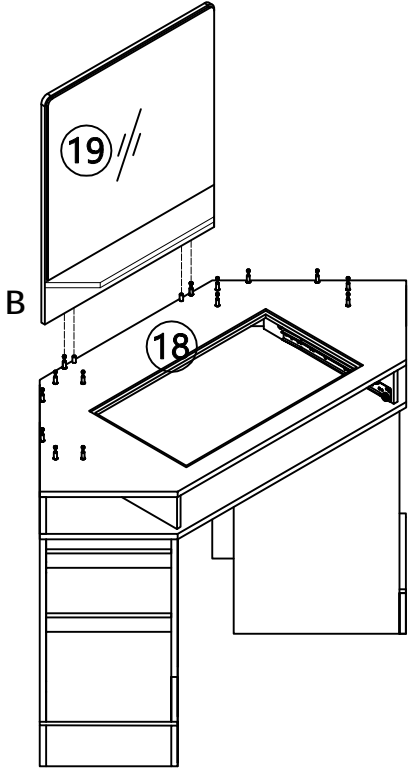
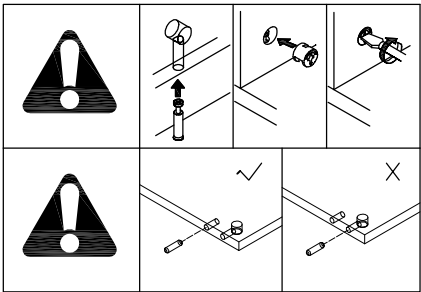


STEP 18

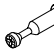



STEP 19

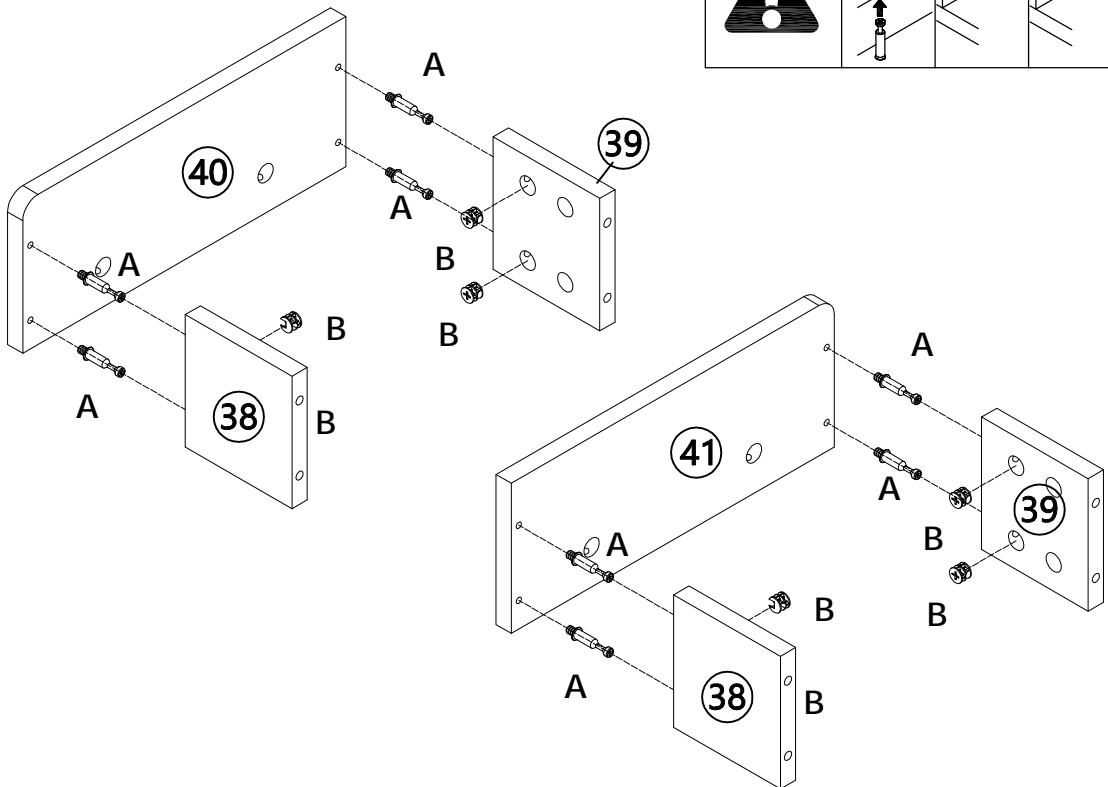
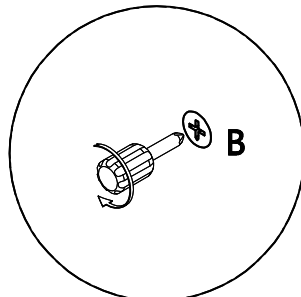
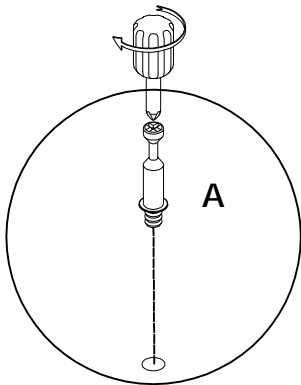
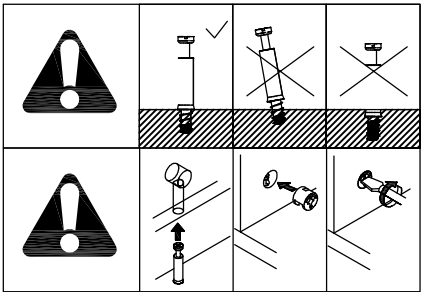
B x 2

Ø15*10mm



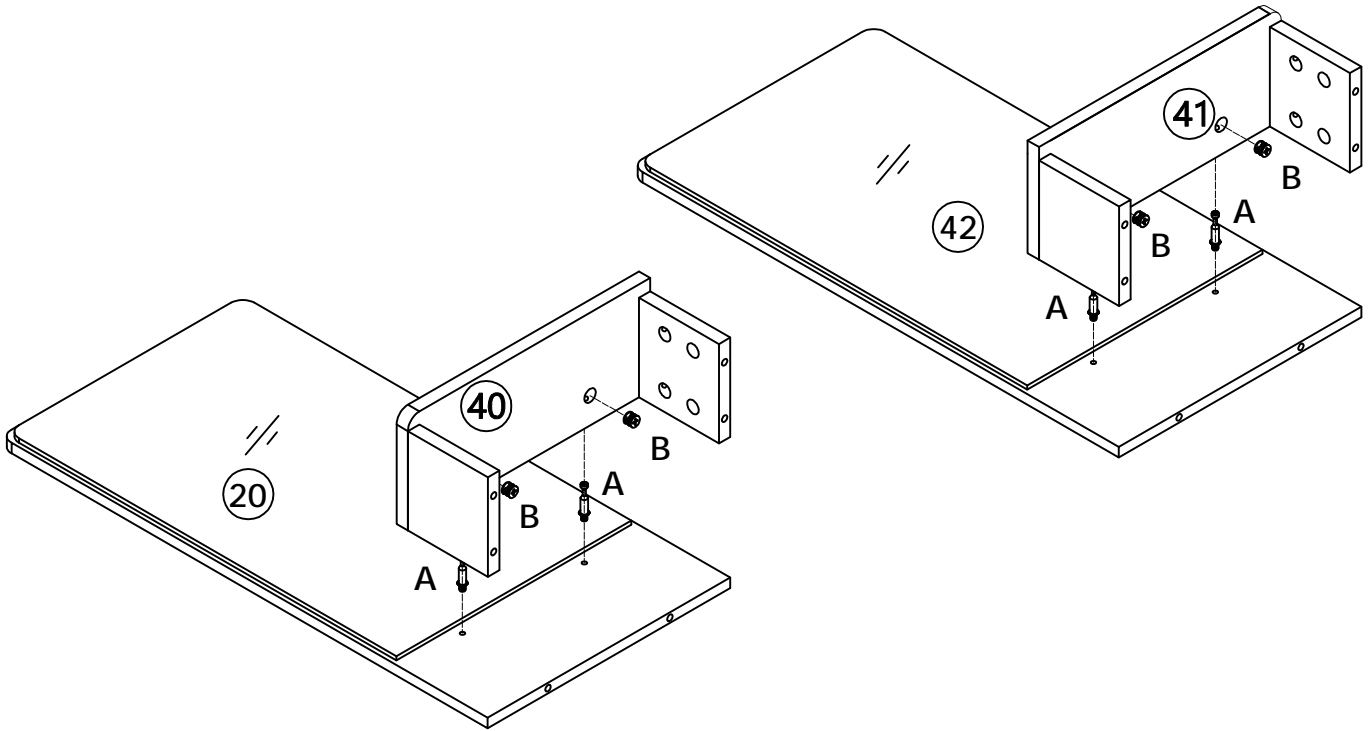
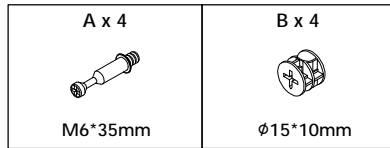
STEP 20

A x 8

M6*35mm

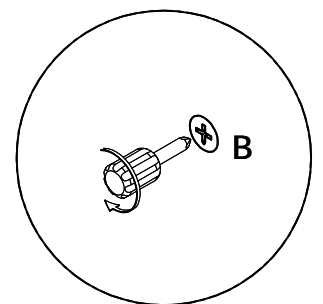
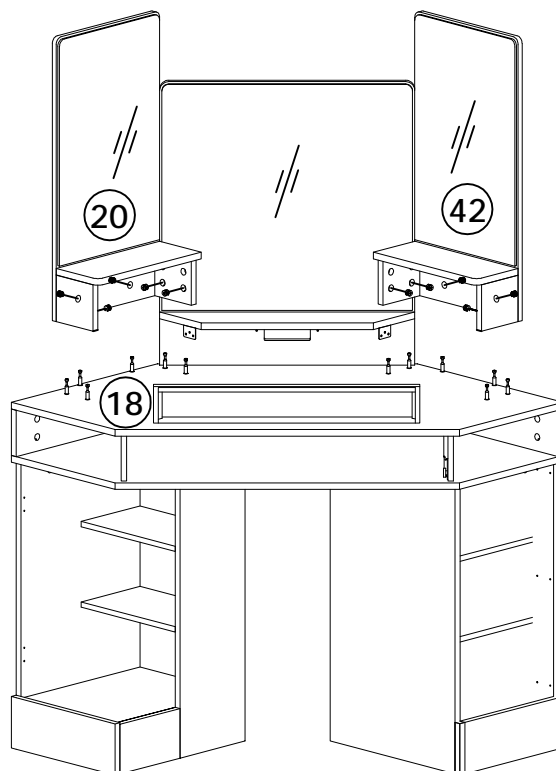
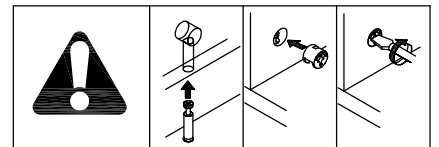
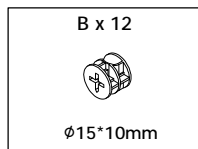
B x 8

Ø15*10mm



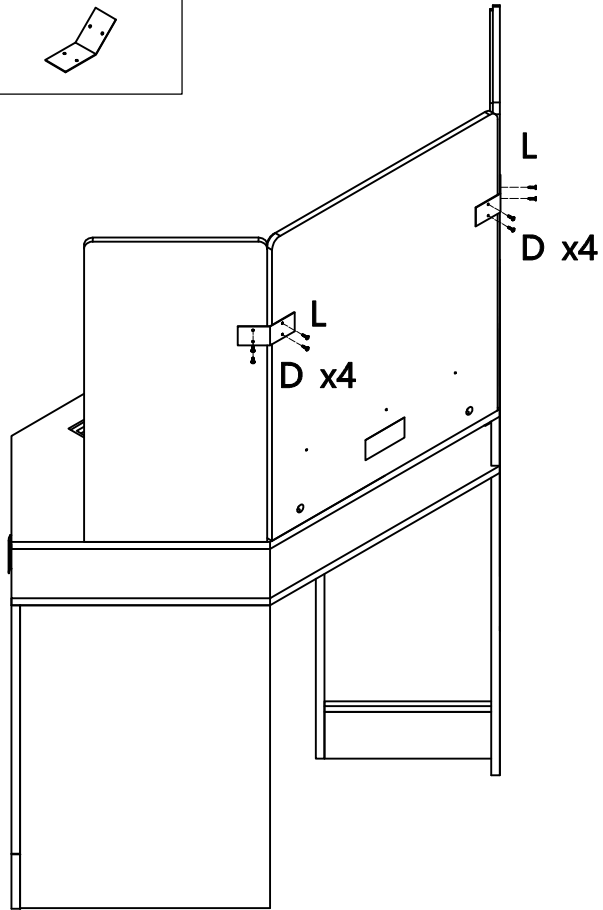
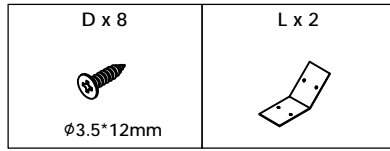
STEP 21



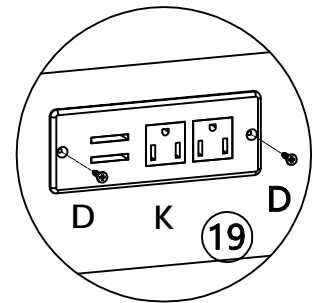
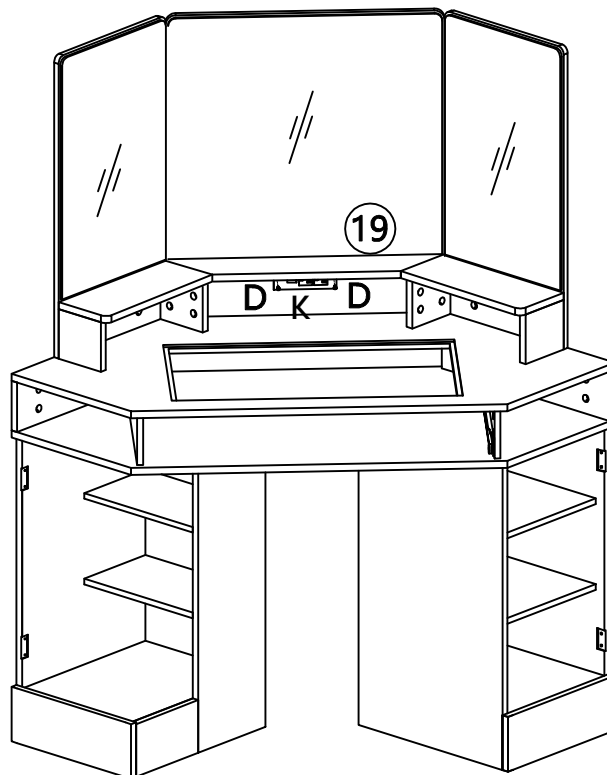
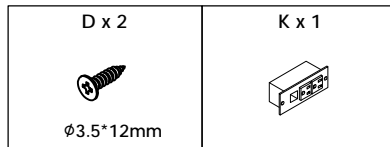
STEP 22



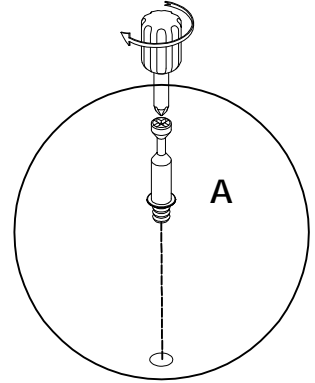
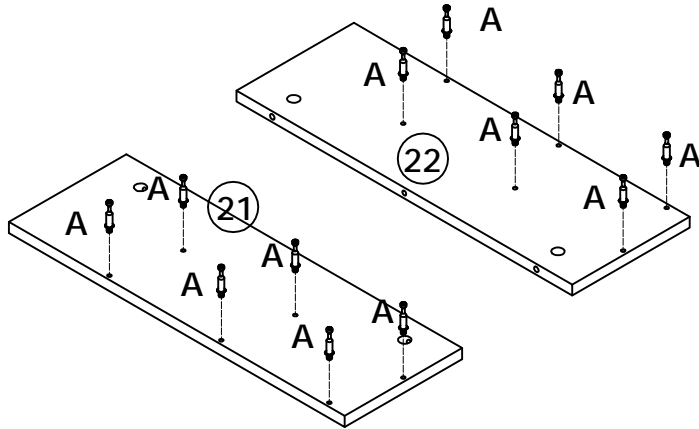
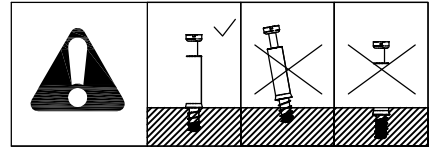
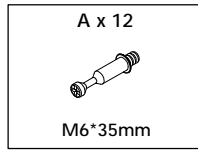
STEP 23



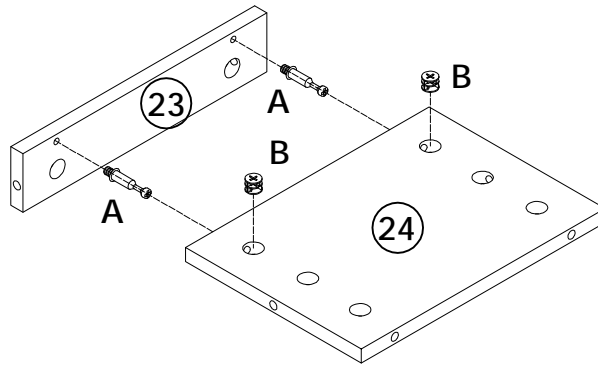
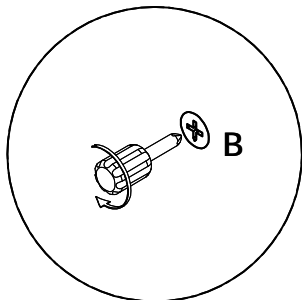
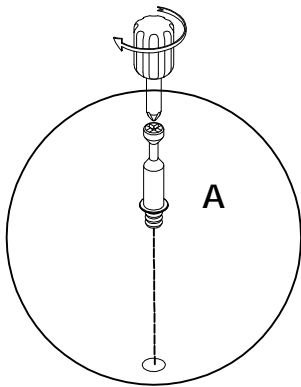
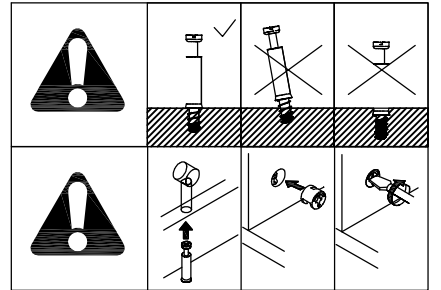
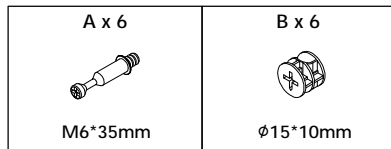
STEP 24



STEP 25




STEP 26



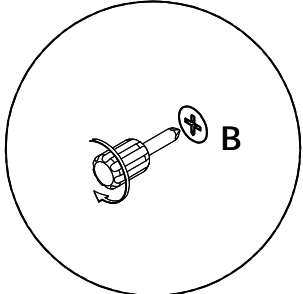
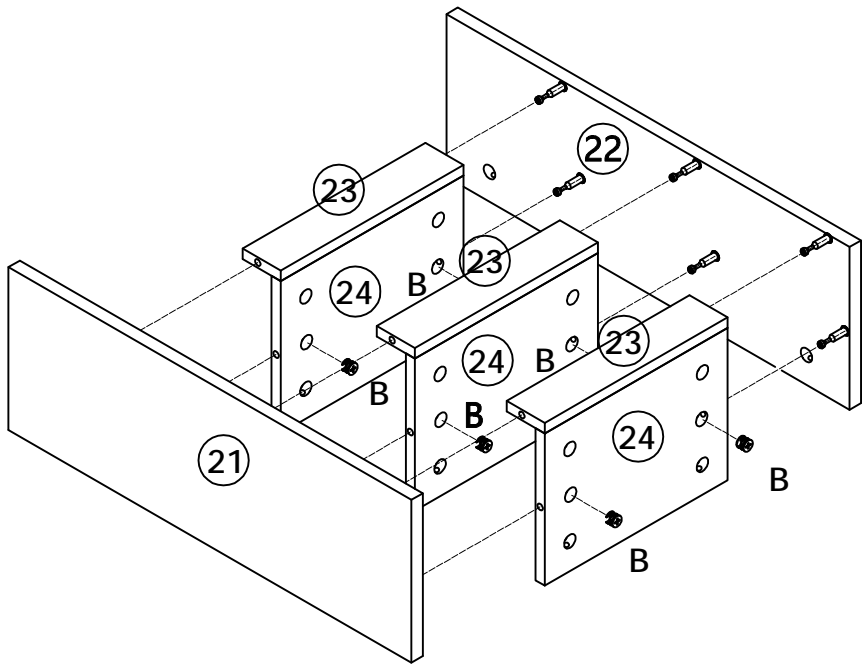
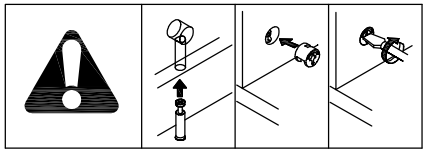
X 3

STEP 27



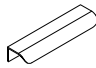
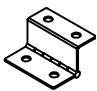

B x 12

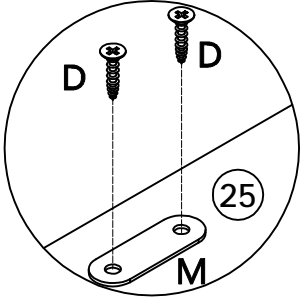
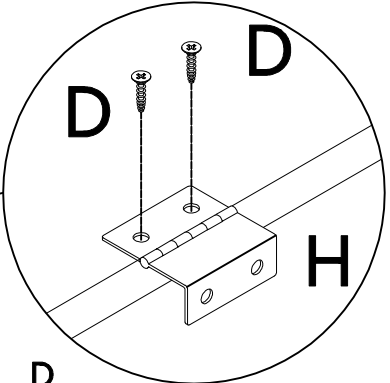
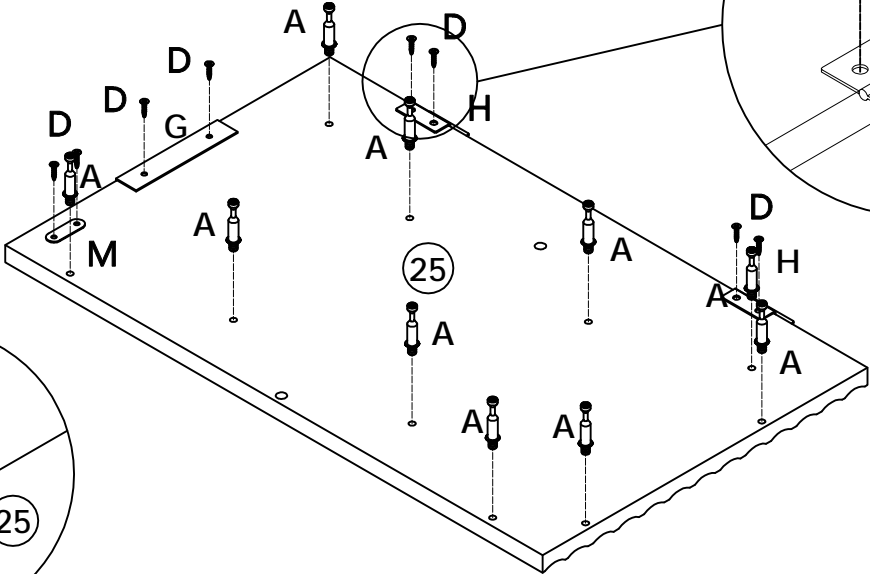
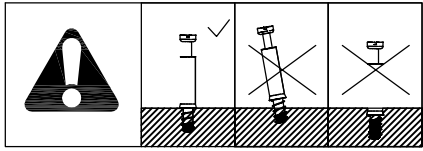


Ø15*10mm





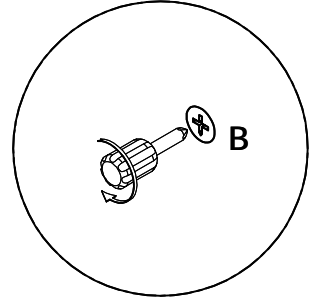
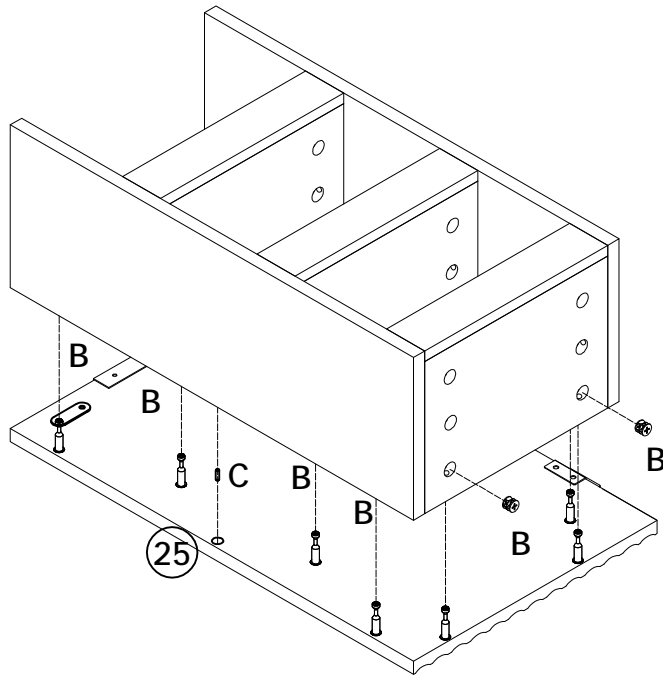
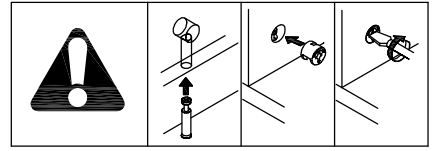
STEP 28

A x 10  M6*35mm	D x 8  Ø3.5*12mm	G x 1 
H x 2 	M x 1 	




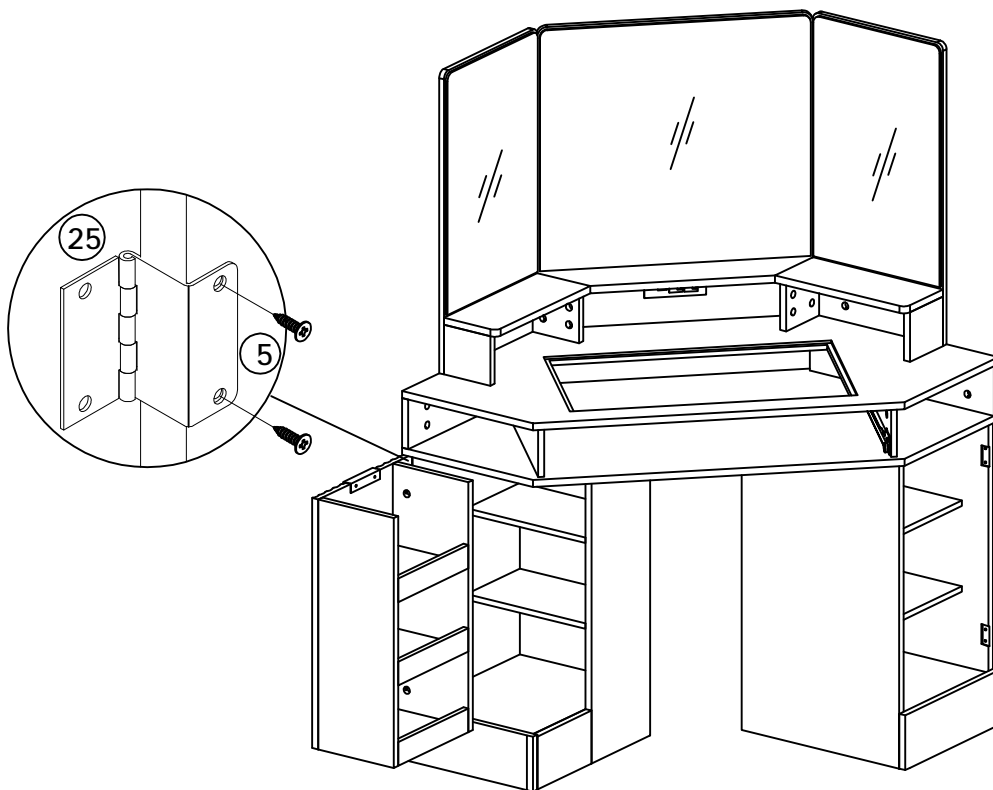
STEP 29

B x 10  φ15*10mm	C x 2  φ6*30mm
---	---



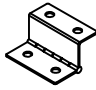



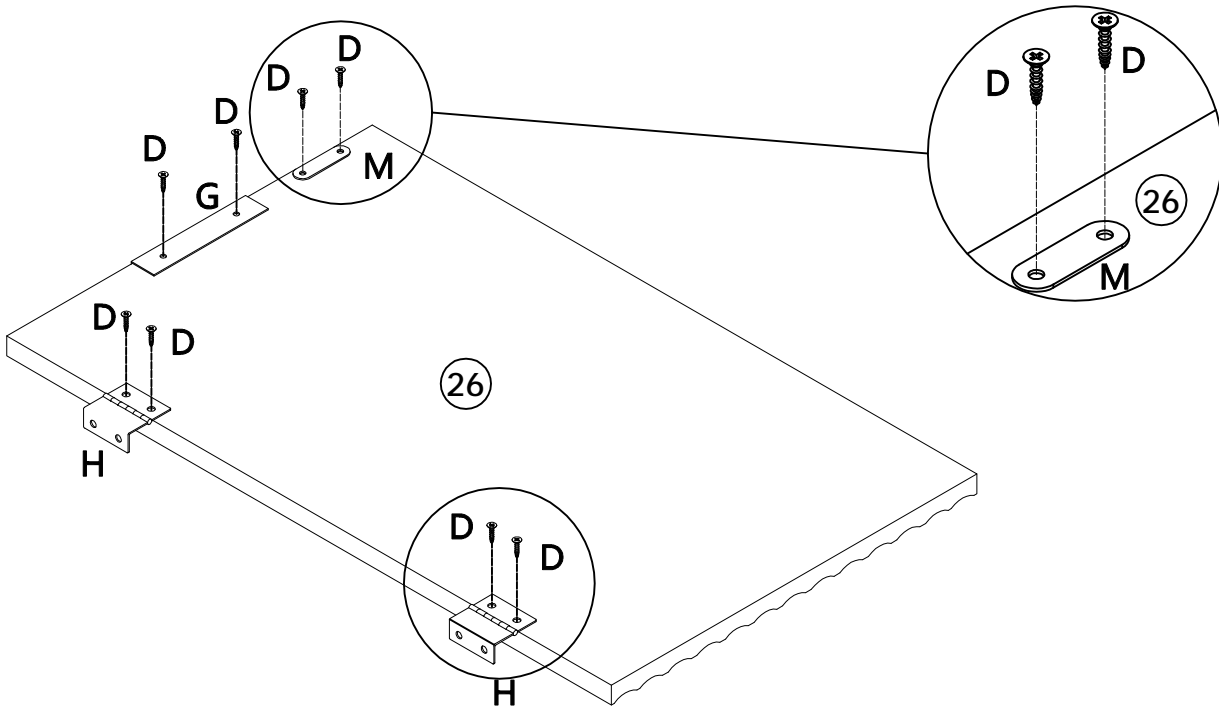
STEP 30

D x 4  φ3.5*12mm




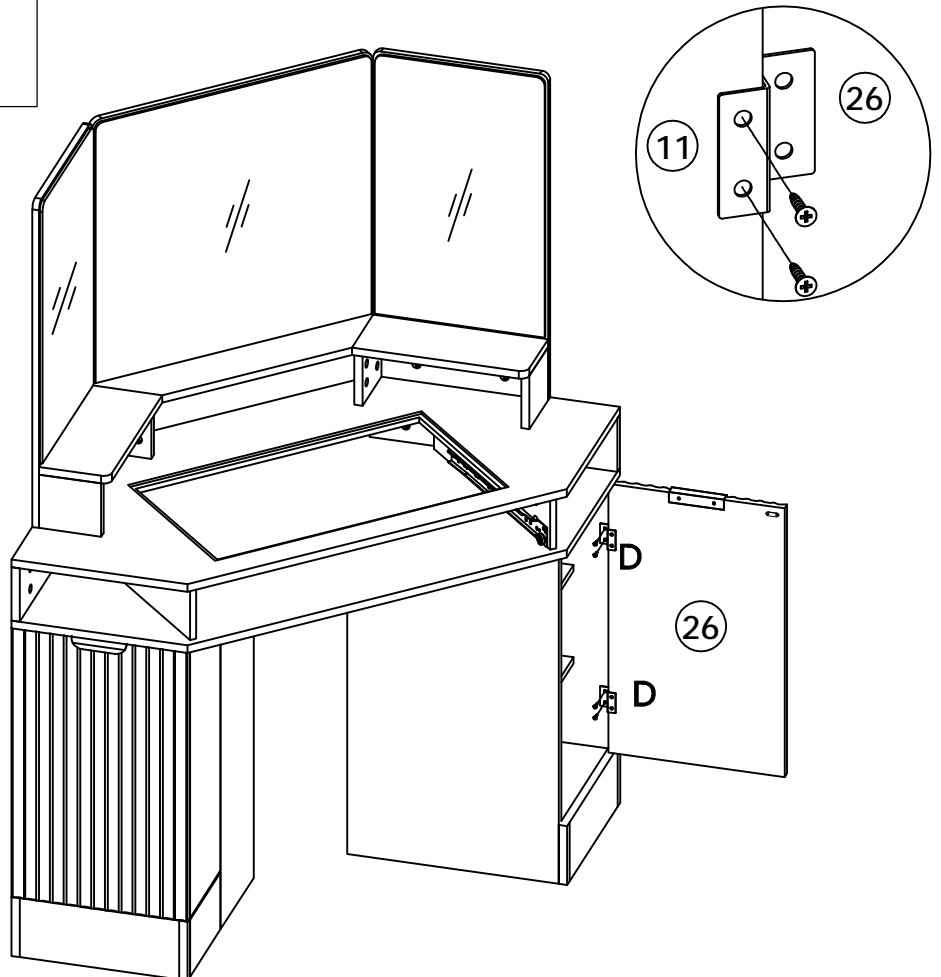
STEP 31

D x 8  Ø3.5*12mm	G x 1 	H x 2 	M x 1 
---	--	--	--





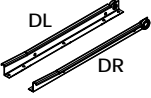
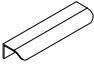


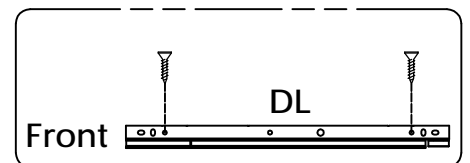
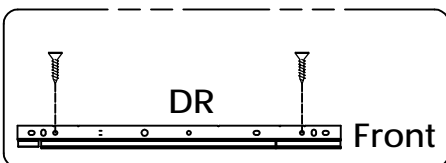
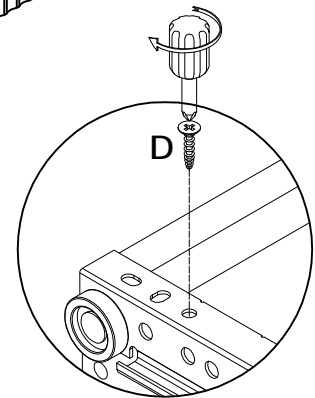
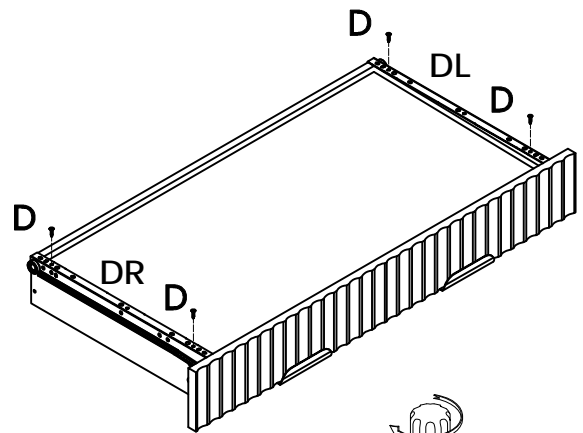
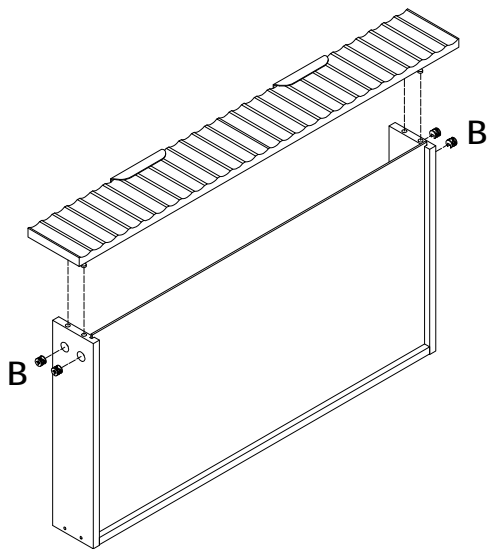
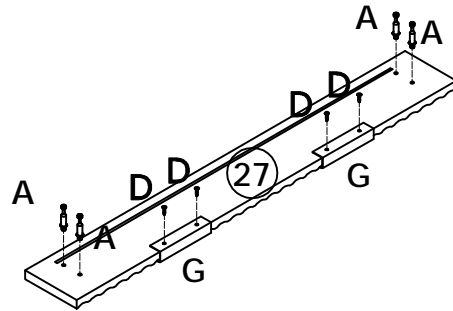
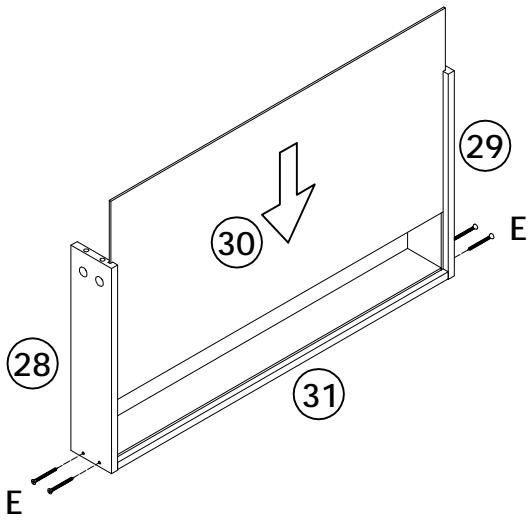
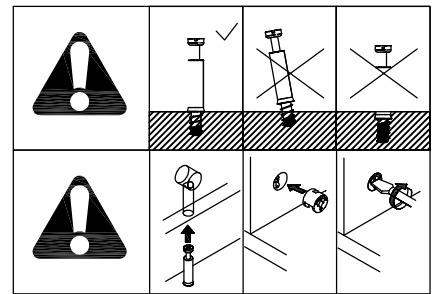
STEP 32

D x 4  Ø3.5*12mm

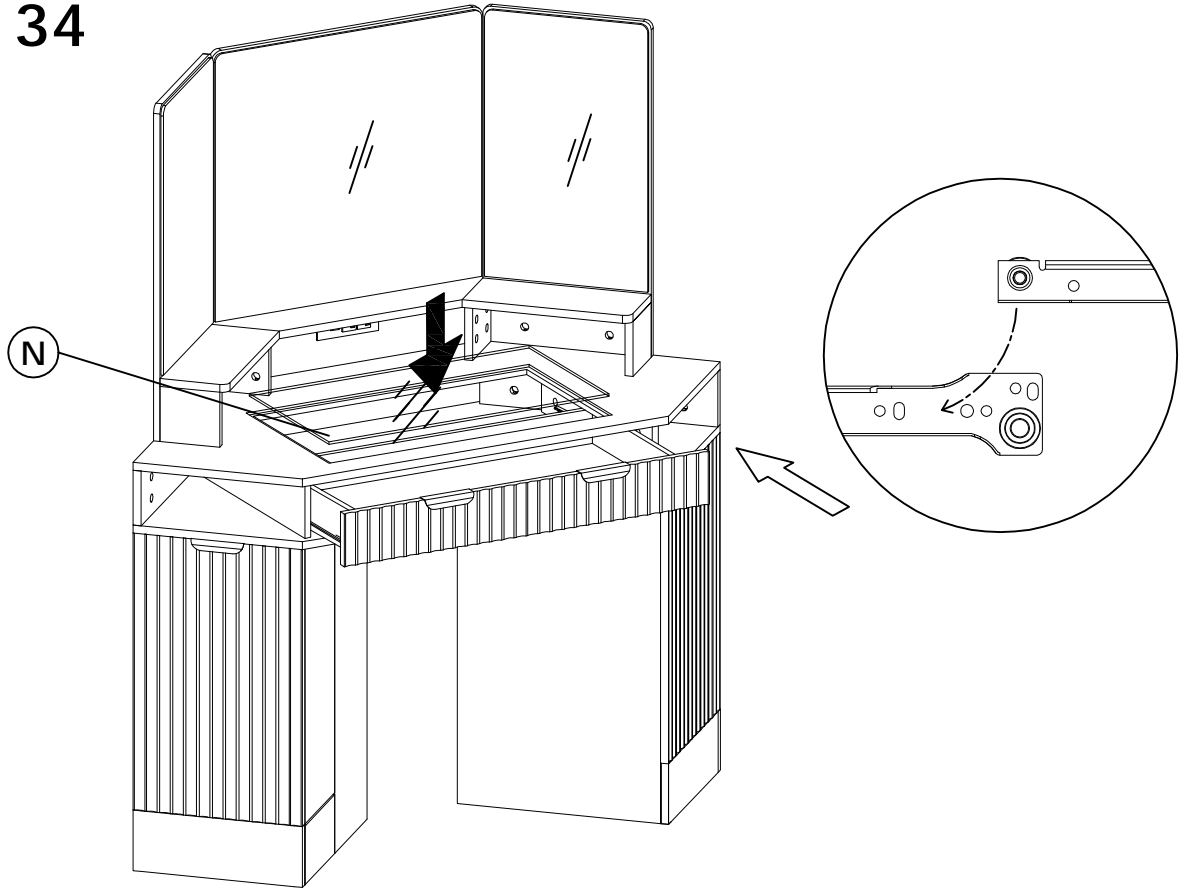


STEP 33





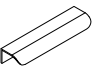
<p>A x 4</p>  <p>M6*35mm</p>	<p>B x 4</p>  <p>∅15*10mm</p>	<p>D x 8</p>  <p>∅3.5*12mm</p>
<p>E x 4</p>  <p>∅3.5*35mm</p>	<p>F x 2</p>  <p>DL DR</p>	<p>G x 2</p> 

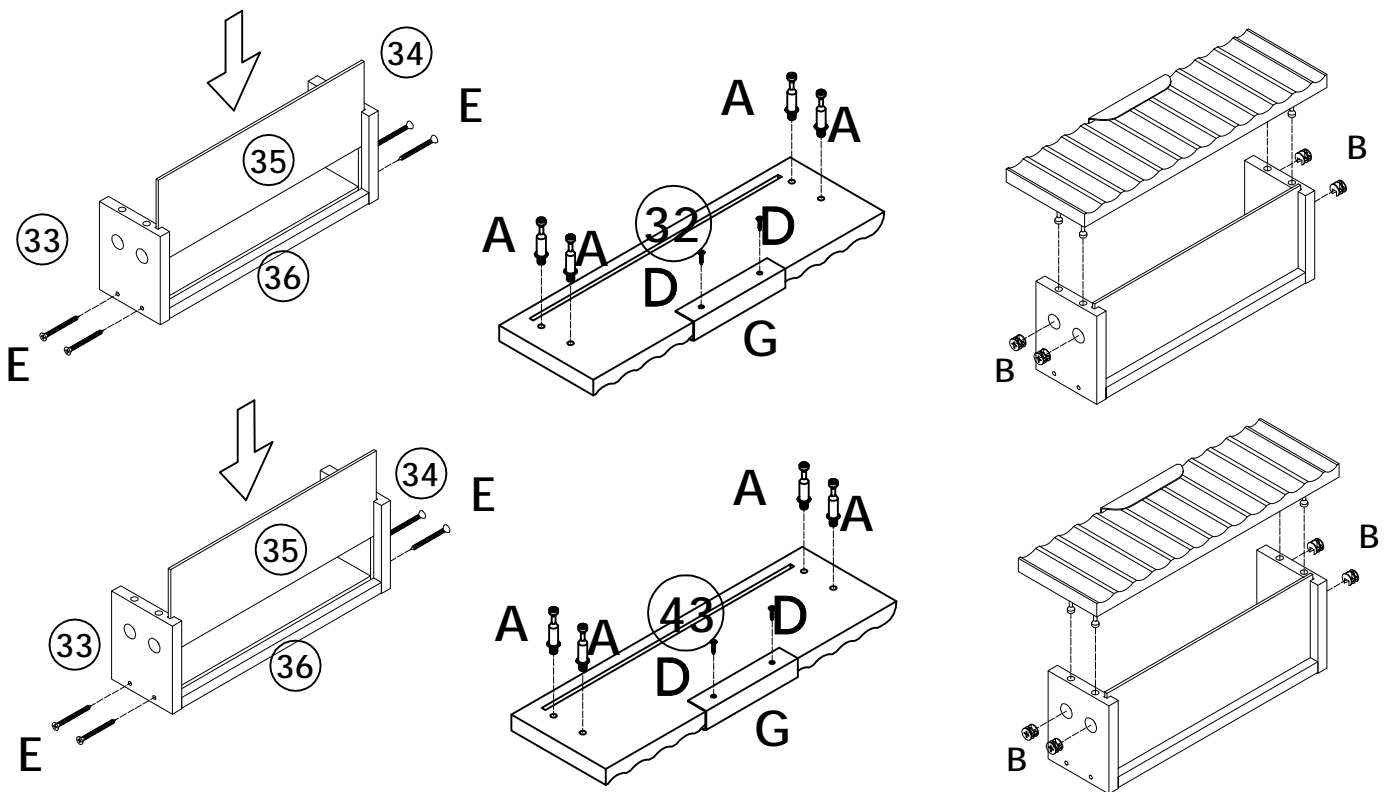


STEP 34

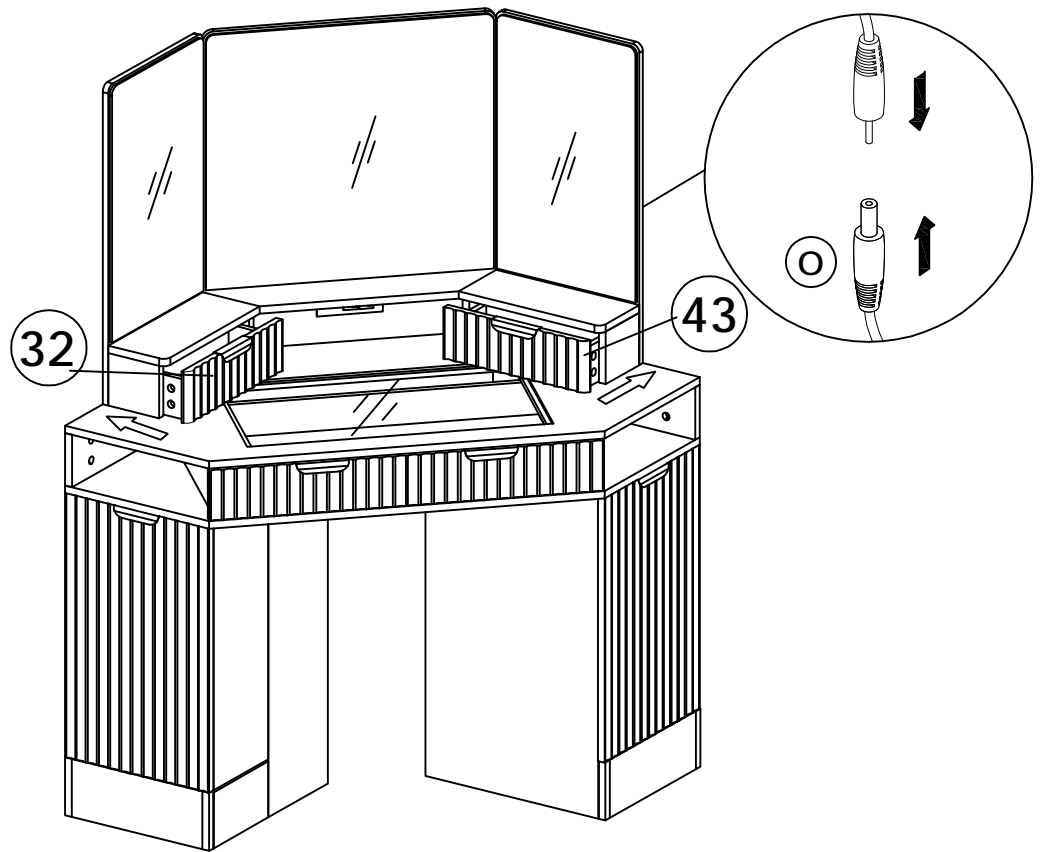
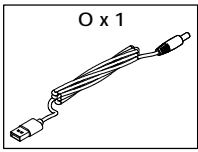


STEP 35

<p>A x 8</p>  <p>M6*35mm</p>	<p>B x 8</p>  <p>Ø15*10mm</p>	<p>D x 4</p>  <p>Ø3.5*12mm</p>	<p>E x 8</p>  <p>Ø3.5*35mm</p>	<p>G x 2</p> 
---	--	---	---	--



STEP 36



STEP 37

