

PARLOS®

Installation Guide

If you have any question or need help, please visit
 PARLOS® website <http://www.parlos.com>.

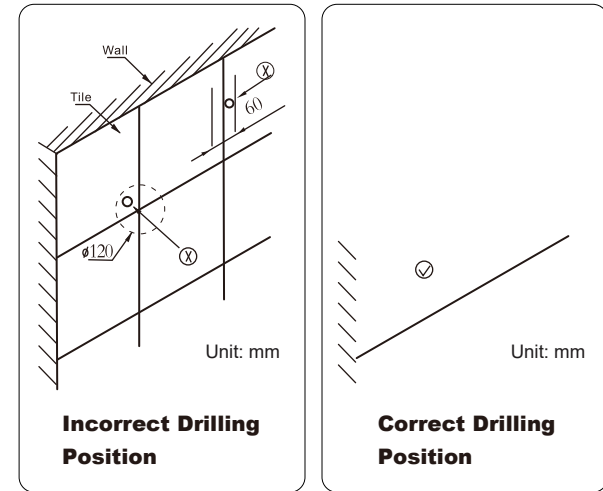


Tips:

Locate the unit on the wall where desired and check that it is level.

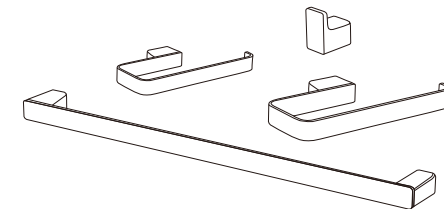
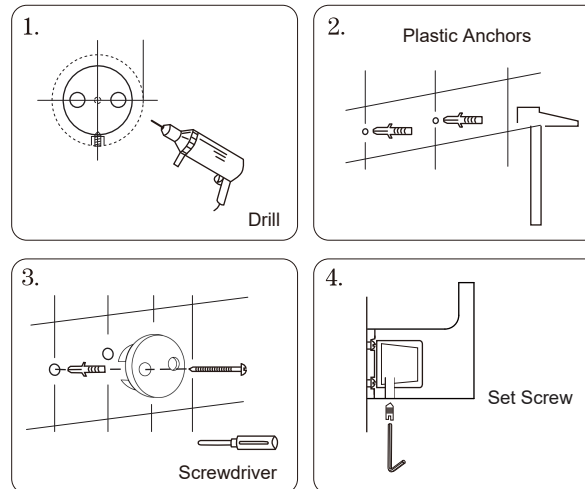
Mark the top center of the unit's posts.

Try to be as far away from the joint of tiles as possible (3cm around each side of two tiles or out of the scope of 12cm in diameter in the center of the joint of 4 tiles), which will prevent tiles from breaking and guarantee products installed firmly. (Refer to the diagram).



INSTALLATION INSTRUCTIONS:

1. Drill 1/4" diameter holes where indicated.
2. Push in the **Plastic Anchors** until flush with the wall.
3. Screw the **Mounting Bracket** to the wall. (Note: Do not overtighten the mounting screw)
4. Assemble posts and bar (s). Slip the posts over the **Mounting Bracket** with the **Set Screw** at the bottom. Push flush with the wall and tighten the **Set Screw**.



Care Instructions:

For cleaning of this product, simply wipe gently with a damp cloth and blot dry with a soft towel. Please avoid any corrosive chemicals, harsh abrasives or polish might cause damage.