

# Round Gas Fire Pit Table

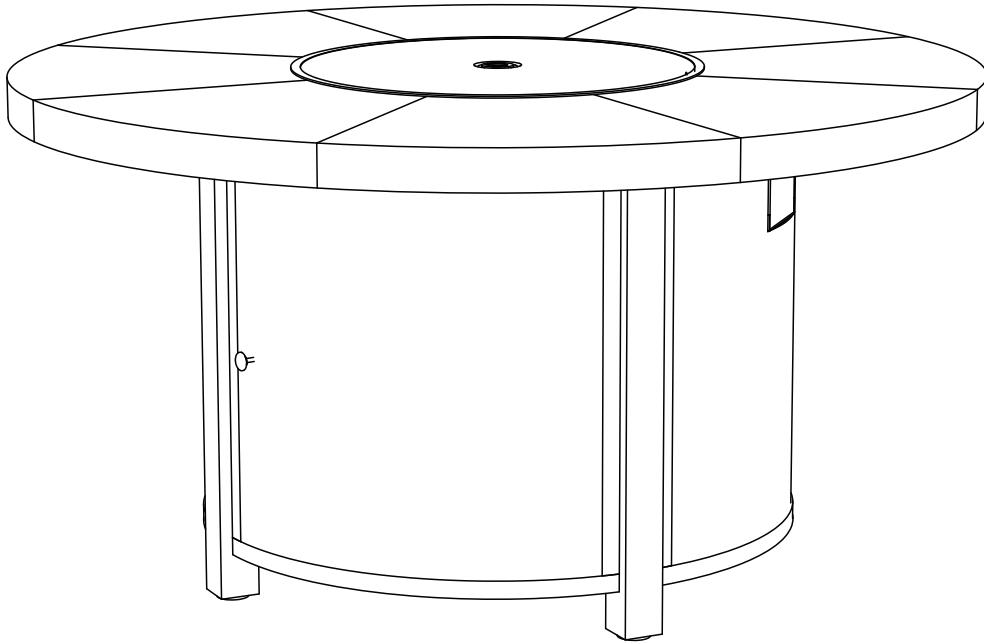
Assembly & Care instructions



Please read & retain for future reference

# Catalog

Warning .....	01
Caution .....	04
Operation And Storage .....	07
Cleaning And Care .....	09
Specification And Parts .....	09
Parts List .....	11
Screw And Extra .....	12
Cavat .....	12
How To Assemble The Fire Pit Table .....	15
Problems Check List .....	22



**! WARNING**

If the information in this manual is not followed exactly, a fire or explosion may result causing property damage personal injury, or loss of life.

**INDTALLER:** Leave this manual with the appliance  
**CONSUMER:** Retain this manual for future refernce

**! WARNING**

For outdoor use only.

Installation and service must be performed by a qualified installer, service agency, or the gas supplier.

**SAVE THESE INSTRUCTIONS**

Product has been CSA tested and certified

# WARNING SAFETY RULES

PLEASE READ THE FOLLOWING SAFETY RULES PRIOR TO OPERATION OF THE HEATER



## DANGER FIRE OR EXPLOSION HAZARD

### WARNING: For Outdoor Use Only.

Installation and service must be performed by a qualified installer, service agency, or the gas supplier.

- 1) For use outdoors or in amply ventilated areas.
- 2) An amply ventilated area must have a minimum of 25 % of the surface area open.
- 3) The surface area is the sum of the walls surface.

If you smell gas:

Shut off gas to the appliance. Extinguish any open flame.

If the odor continues, leave the area immediately.

After leaving the area, call your gas supplier or fire department.

Failure to follow these instructions could result in fire or explosion, which could cause property damage, personal injury, or death.

**WARNING:** If the information in this manual is not followed exactly, a fire or explosion may result causing property damage, personal injury, or loss of life.

**INSTALLER:** Leave this manual with the appliance.

**CONSUMER:** Retain this manual for future reference.



## DANGER



## RISQUE DE MONOXYDE DE CARBONE

This appliance can produce carbon monoxide which has no odor.

Using it in an enclosed space can kill you.

Never use this appliance in an enclosed space such as a camper, tent, car or home.

# WARNING

Read the instructions before installation and use.

This appliance must be installed and the gas cylinder stored in accordance with the regulations in force;

- Do not obstruct the ventilation holes of the cylinder housing;
- Do not move the appliance when in operation;
- Shut off the valve at the gas cylinder or the regulator before moving the appliance;
- The tubing or the flexible hose must be changed within the prescribed intervals;
- Use only the type of gas and the type of cylinder specified by the manufacturer;
- Do not use the appliance in big wind weather. It is advisable to fit the dress guard available from the manufacturer. Failure to fit this dress guard will result in a potential hazard to clothing when approaching the appliance;
- The injector is installed by the manufacturer only. Do not connect the gas cylinder directly to the appliance without regulator.
- Use only the type of gas and the type of cylinder specified in the instructions.
- This appliance is intended for decorative purposes ;
- Not for domestic use!
- These instructions are only valid if the country symbol appears on the instruction manual and on the appliance.

## FOR YOUR SAFETY

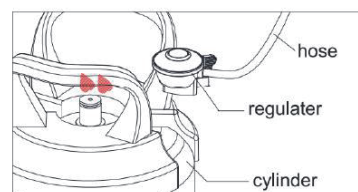
1. Do not store or use gasoline or other flammable vapors and liquids in the vicinity of this or any other appliance.

2. An LP cylinder not connected for use shall not be stored in the vicinity of this or any other appliance.

# CAUTION

PLEASE READ CAREFULLY THE FOLLOWING SAFETY GUIDELINES BEFORE OPERATION.

- Do not use the fire pit indoors, as it may cause personal injury or property damage.
- This outdoor fire pit is not intended to be installed on recreational vehicles and/or boats.
- Installation and repair should be done by a qualified service person.
- Improper installation adjustment, alteration can cause personal injury or property damage.
- Do not attempt to alter the unit in any manner.
- Never replace or substitute the regulator with any regulator other than the factory suggested replacement.
- Do not store or use gasoline or other flammable vapors or liquids in the heater unit.
- The whole gas system, hose, regulator, pilot or burner should be inspected for leaks or damage before use, and at least annually by a qualified service person.
- All leak tests should be done with a soap solution.
- Never use an open flame to check for leaks.
- Do not use the heater until all connections have been leak tested.
- Turn off the gas valve immediately if smell of gas is detected. Turn Cylinder Valve OFF. If leak is at Hose/ Regulator connection: tighten connection and perform another leak test. If bubbles continue appearing should be returned to hose's place of purchase. If leak is at Regulator/Cylinder Valve connection: disconnect, reconnect, and perform another leak check. If you continue to see bubbles after several attempts, cylinder valve is defective and should be returned to cylinder's place of purchase.
- Do not transport heater while it's operating.
- Do not move the heater after it has been turned off until the temperature has cooled down.
- Keep the ventilation opening of the cylinder enclosure free and clear of debris.
- Do not paint the radiant screen, control panel or top canopy reflector.
- Control compartment, burner and circulation air passageways of the heater must be kept clean. Frequent cleaning may be required as necessary.
- The LP tank should be turned off when the heater is not in use.
- Check the fire pit immediately if any of the following occurs:
  - The fire pit does not reach temperature.
  - The burner makes popping noise during use (a slight noise is normal when the burner is extinguished).
  - Smell of gas in conjunction with extreme yellow tipping of the burner flames.
- The LP regulator/hose assembly must be located out of pathways where people may trip over it or in area where the hose will not be subject to accidental damage.
- Any guard or other protective device removed for servicing the heater must be replaced before operating the fire pit.
- Adults and children should stay away from high temperature surface to avoid burns or clothing ignition.
- Children should be carefully supervised when they are in the area of the fire pit.
- Clothing or other flammable materials should not be hung on the heater or placed on or near the fire pit.
- To change the gas cylinder in an amply ventilated area, away from any ignition source (candle, cigarettes, other flame producing appliances, ...);
- To check that the regulator seal is correctly fit and able to fulfill its function showed as photo right;
- To not obstruct the ventilation holes of the cylinder housing;
- To close the gas supply at the valve of the gas cylinder or the regulator after use;
- In the event of gas leakage, the appliance shall not be used or if alight, the gas supply shall be shut off and the appliance shall be investigated and rectified before it is used again;
- To check the hose at least once per month, each time the cylinder is changed, or each time before long time no use. If it shows signs of cracking, splitting or other deterioration it shall be exchanged for new hose of the same length and of the equivalent quality;
- The use of this appliance in enclosed areas can be dangerous and is PROHIBITED;
- Read the instructions before using this appliance. The appliance must be installed in accordance with the instructions and local regulations.
- For connection of hose and regulator, and connection of regulator and hose, please refer to photo showed above.



Hose/Regulator connection and Regulator/Cylinder connection

Do Not use this appliance with an adjustable regulator. We suggest use this appliance with LPG cylinder of 5KG. The maximum diameter and the maximum height of the cylinder is 380mm and 450mm as shown in (Fig.1).

Pay attention when put the cylinder to the cylinder hole, ensure the hose connect to the cylinder not touch the hot surface. Keep the cylinder in place during operation. Never put spare cylinder in the same cylinder enclosure. Never block the way of shutting off the cylinder valve.

**Warning:** Shut off the gas cylinder when you smell gas.

1: maximum diameter  
2: maximum height

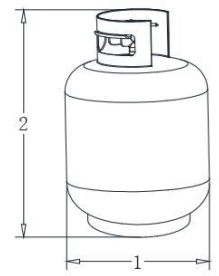


Fig.1

The hose assembly must be replaced prior to the appliance being put into operation if there is evidence of excessive abrasion or wear or if the hose is damaged. The replacement hose assembly shall be specified by the manufacturer.

- Do not attempt to disconnect the gas cylinder or any gas fitting while your appliance is in operation.
- The propane gas supply cylinder to be used must be:  
Constructed and marked in accordance with the U.S. Department of Transportation (D.O.T) Specifications for LP-Gas cylinders, or the Standard for Cylinders, Spheres, and Tubes for Transportation of Dangerous Goods and Commission, CAN/CSA-B339, as applicable;  
Provided with a listed overfilling prevention device; and  
The propane gas cylinder must be arranged for vapor withdrawal.  
NEVER use a propane gas cylinder with a damaged body, cylinder valve, collar or footing.  
Dented or rusted propane gas cylinder may be hazardous and should be checked by your cylinder supplier prior to use.

The propane cylinder should NOT be dropped or handled roughly.

The propane cylinder must be stored outdoors, out of the reach of children and must NOT be stored in a building, garage or any other enclosed area.

Do not insert any tool or foreign object into the cylinder valve outlet or safety relief valve. You may damage the cylinder valve and cause a leak. Leaking propane may result in explosion, fire, severe personal injury or death.

Never keep a propane cylinder in a hot car or trunk. Heat will cause the gas pressure to increase, which may open the relief valve and allow gas to escape.

Place the dust cap on the cylinder valve outlet whenever the cylinder is not in use. Only install the type of dust cap on the cylinder valve outlet that is provided with the cylinder valve. Other types of caps or plugs may result in leakage of propane.

DO NOT store a space propane cylinder under or near this appliance.

Disconnect the cylinder when the appliance is not being used.

NEVER fill the cylinder beyond 80 percent full.

Other cylinder may be acceptable for use with this appliance provided they have the same profile and dimension to be compatible with the appliance nesting hole and retention means.

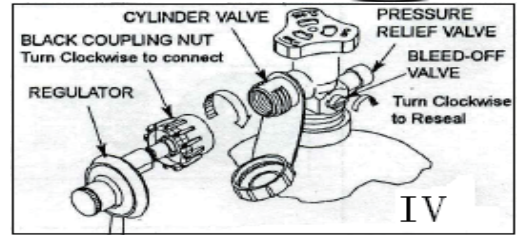
**To Connect:**

- 1 Ensure that there is no debris caught in the head of gas cylinder, head of the regulator valve.
- 2 Insert the nipple of the valve coupling into the cylinder valve and tighten the black coupling nut by turning it clockwise with one hand while holding the regulator with the other hand. (See diagram.) Hand tighten only.



**To Disconnect:**

- 1 Always confirm that the cylinder valve is in the OFF position before disconnecting the gas supply.
- 2 Hold the regulator with the one hand and loosen the black coupling nut by turning it counter-clockwise with the other hand. (See diagram.)



**IMPORTANT**

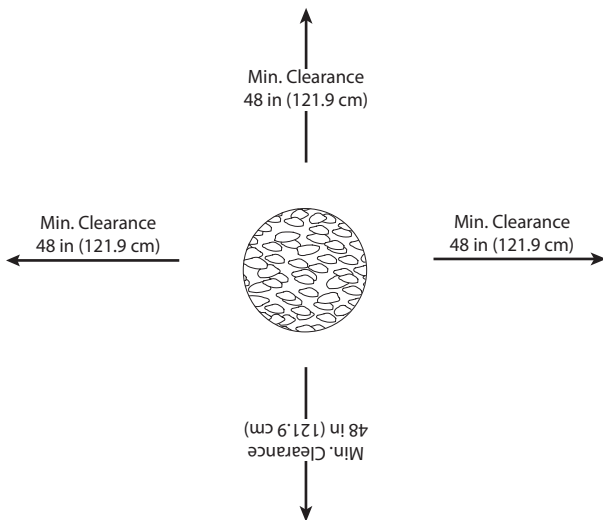
Disconnect the propane cylinder from the regulator valve when the appliance is not in use

**SELECTING A LOCATION**

Use only the regulator and hose supplied with this appliance.

Inspect the burner before using this appliance. If the burner shows any damage whatsoever, do not operate the appliance.

**NOTE: You must follow all steps to properly assemble this heating element. Make sure the gas valve is closed before assembly. DO NOT attempt to assemble without proper tools.**



**Combustible materials should not be within 50 inches of the top of the unit, or within 48 inches around the entire unit.**

INPUT	40,000 Btu/hr	
Propane Regulator Pressure	11 inches water column	
Clearances to combustible surfaces	Sides: 48in./121.9cm	Top: 50 in. / 127cm

# OPERATION AND STORAGE

Warning: User shall pour fire glass fully to cover the whole burner before operation

## TO TURN ON THE FIRE PIT

1. Turn the control knob to the "OFF" position (Figure a).
2. Fully open LP cylinder valve.

Note: For initial start or after any cylinder change, hold Control Knob IN for 10 seconds to purge air from gas lines before proceeding.

3. Push in gas control knob and turn counterclockwise to "IGNITER" (Figure b) to light the fire pit. If needed, keep pressing and turning control knob counterclockwise until the heater lights (You should hear a clicking sound).

4. After fire pit lights, release control knob. Push in and turn the control knob to the "HIGH" (Figure c), then release control knob. If you want a lower temperature, push in the control knob and turn clockwise to the "LOW". Note: If burner fails to remain lit, all valves should be closed and a waiting period of at least 5 minutes should pass before attempting to light.

## TO TURN OFF THE FIRE PIT

1. To extinguish burner depress control knob and continue to turn it clockwise to OFF.
2. Turn cylinder valve clockwise to OFF and disconnect regulator when fire pit is not in use.

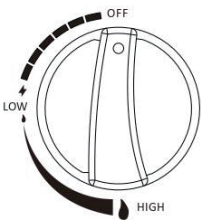


Figure a

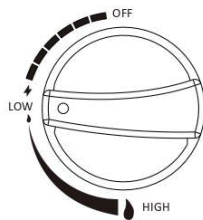


Figure b

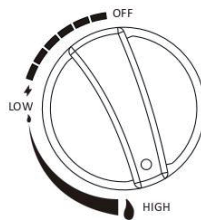


Figure c

OFF: the heater stop work  
HIGH: maximum temperature position  
LOW: minimum temperature position

## Storage

1. Always close the gas valve of the gas cylinder after use or in case of a disturbance.
2. Remove the pressure controller and the hose.
3. Check the tightness of the gas valve and for damage. If you suspect a damage, have it changed by your gas dealer.
4. Never store liquid gas cylinder in a sub-terrain, or at places without adequate air ventilation.

## **A. Construction and characteristics**

- Transportable terrace/fire pit with tank housing
- Casing in steel with powder-coating or stainless steel.
- Gas hose connections with metal clamp

## **B. Specifications**

- Use propane, butane or their mixtures gas only.
  - Max. wattage: 40000 BTU/Hr (11.72 KW)
  - Consumption:
- 
- The hose and regulator assembly must conform to local standard codes.
  - Regulator outlet pressure should meet the corresponding appliance category in B. Specification.
  - The appliance requires approved hose in 0.7m length.

## **The instructions accompanying the appliance shall include the following;**

a) When an appliance is for connection to a fixed piping system, the installation must conform with local codes, or in the absence of local codes with the National Fuel Gas Code, ANSI Z223.1 • NFPA 54; National Fuel Gas Code; Natural Gas and Propane Installation Code, CSA B149.1; or Propane Storage and Handling Code, CSA B149.2, as applicable;

b) A statement that solid fuels shall not be burned in this appliance;

c) The minimum inlet gas supply pressure: 25 Psi;

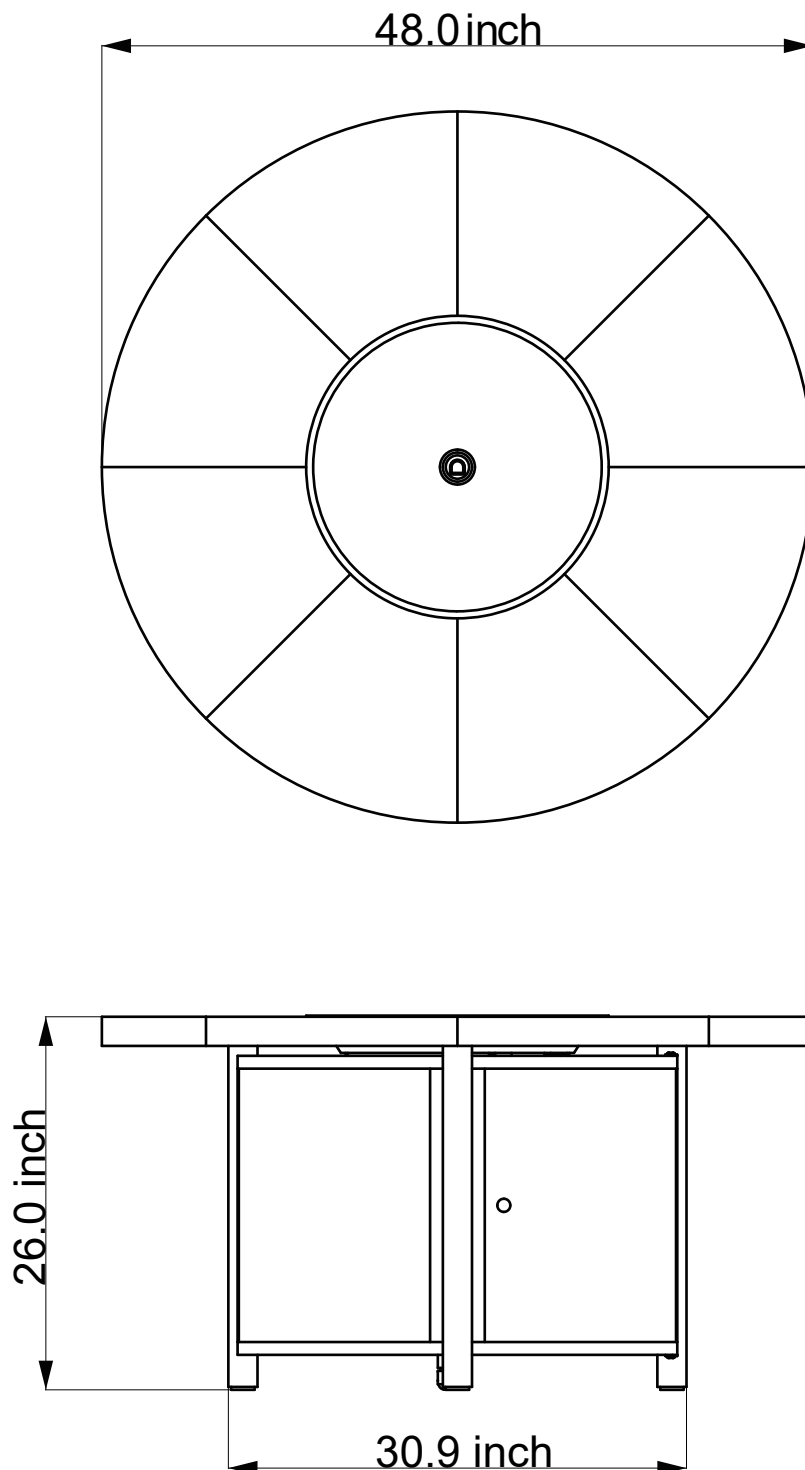
d) The maximum inlet gas supply pressure: 250 Psi;

Instructions to keep the appliance area clear and free from combustible materials, gasoline, and other flammable vapors and liquids;

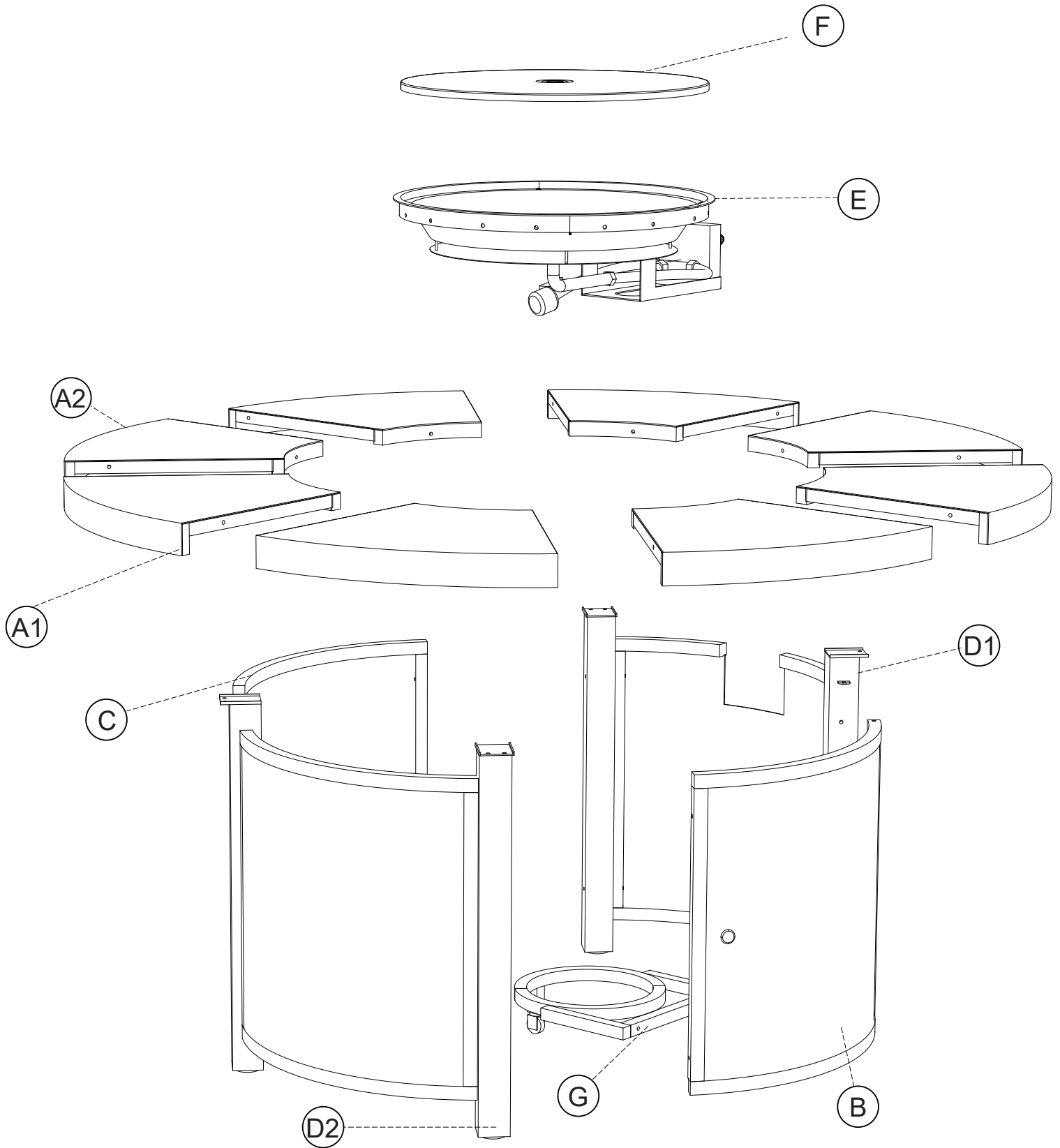
# CLEANING AND CARE

- Wipe off powder coated surfaces with soft, moist rag. Do not clean the heater with cleaners that are combustibile or corrosive.
- Remove debris from the burner to keep it clean and safe for use.
- Cover the burner unit with the optional protective cover when the heater is not in use.

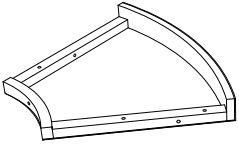
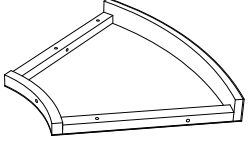

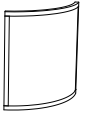

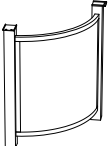
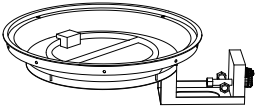

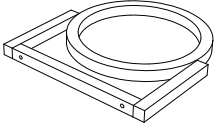
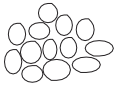

## SPECIFICATIONS AND PARTS



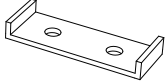
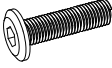
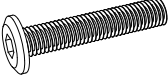
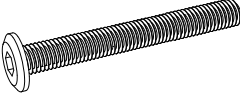

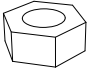
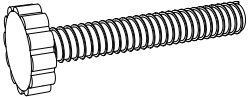

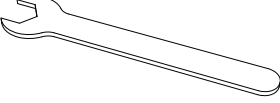

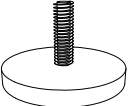

# ASSEMBLY PARTS



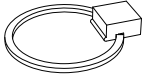
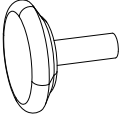
# PARTS LIST

Part	Description	Part Name	Qty
A1		Table Top 1	4PCS
A2		Table Top 2	4PCS
B		Door	1PC
C		Table Side Panel	1PC
D1		Table Leg 1	1PC
D2		Table Leg 2	1PC
E		Burner	1PC
F		Lid	1PC
G		Gas Cylinder Base	1PC
T		Fire Glass	1PC
U		Cover	1PC

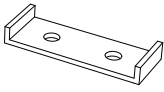
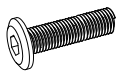
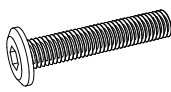
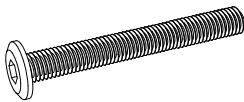
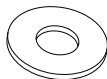
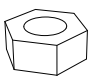
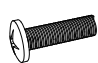
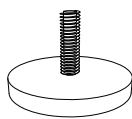
# Screw Set

Part	Description	Part Name	Qty
H		U-buckle	12PCS
I1		M6*20	46PCS
I2		M6*30	2PCS
I3		M6*55	8PCS
J		M6 Washer	64PCS
K		M6 Nut	8PCS
L		Knob	1PC
M		Phillips Screw	2PCS
N		M6 Wrench	1PC
O		Allen Wrench	1PC
P		Adjustable Foot	4PCS
Q		Wheel	1PC

# Screw Set

Part	Description	Part Name	Qty
R		Pull Tab	1PC
S		Doorknob	1PC

# EXTRA

Part	Description	Part Name	Qty
H		U-buckle	2PCS
I1		M6*20	4PCS
I2		M6*30	1PC
I3		M6*55	2PCS
J		M6 Washer	4PCS
K		M6 Nut	2PCS
M		Phillips Screw	1PC
P		Adjustable Foot	1PC

**WARNING:** Failure to locate parts in accordance with these diagrams, or failure to use special parts provided with this equipment, may result in property damage or personal injury.

# Caveat

## WARNING

**Pay attention to the gas fire table top installation precautions, please read the text below carefully.**

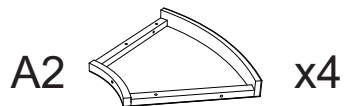
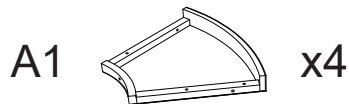
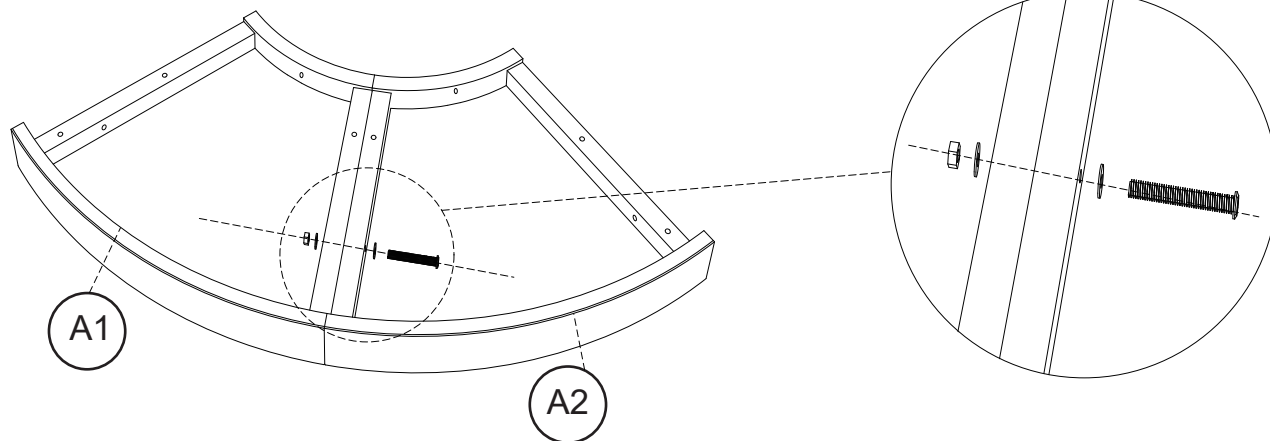
**Note: When installing Gas fire table, do not install them directly on the ground, as gravel and sand on the ground can cause irreversible scratches, as well as pits and paint loss on the table top and other areas.**

**Suggestion: install this product on a carpet with softness, or you can put a layer of cloth or other soft material on the floor before installing it.**

**Step 1:** Splice the two tabletops(A1,A2) together .

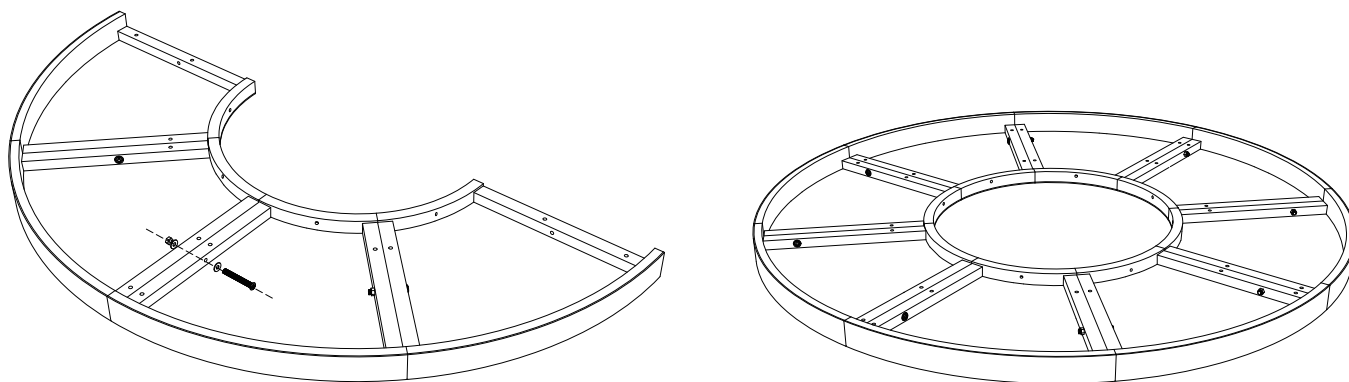
**NOTE:**Do not tighten the screws all the way.

x4



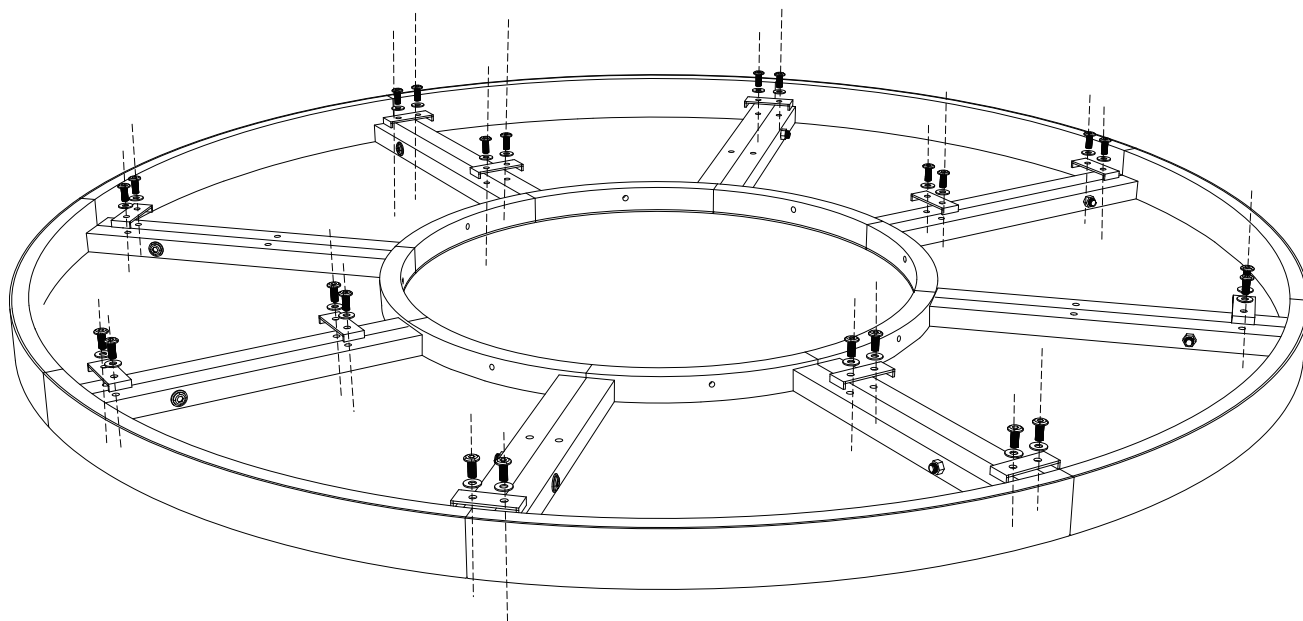
**Step 2:**Connect the assembled A1 and A2 with screws.

**NOTE:**Do not tighten the screws all the way.



**Step 3:** Install the U-buckle(H).

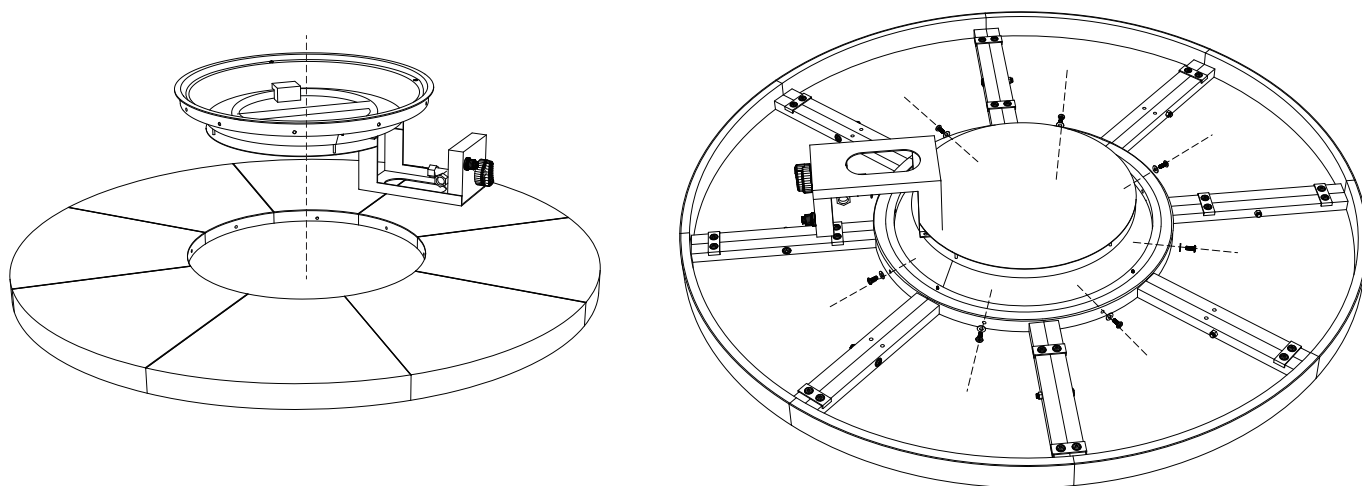
**NOTE:** Tighten the screws.

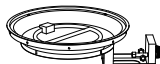




H  x12      I1  M6\*20 x24      J  x24

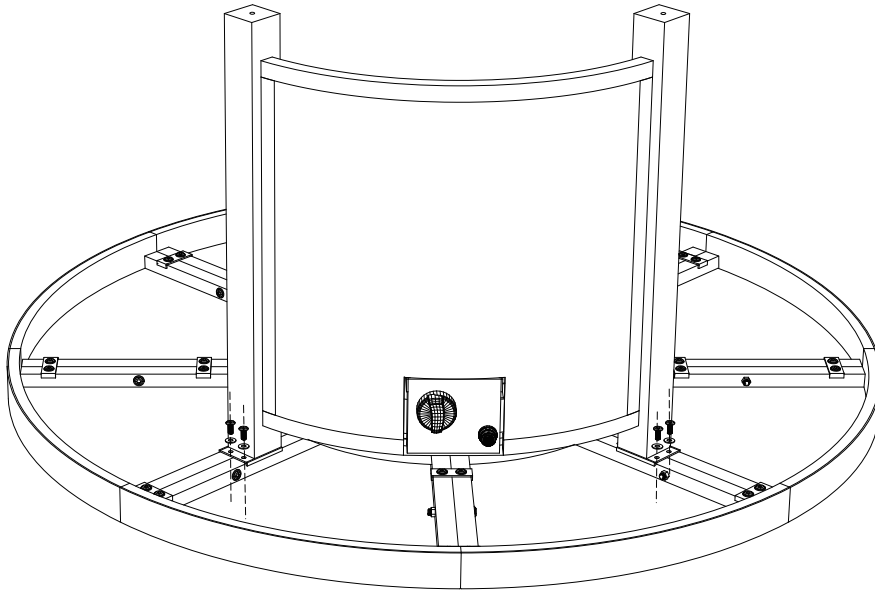
**Step 4:** Load the burner(E) into the tabletop.(The switch parts need to be placed at an inclined point firstThe switch is aligned in the direction of having two U-buckles.)

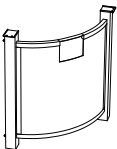


**NOTE:** Tighten the screws and secure the burner.



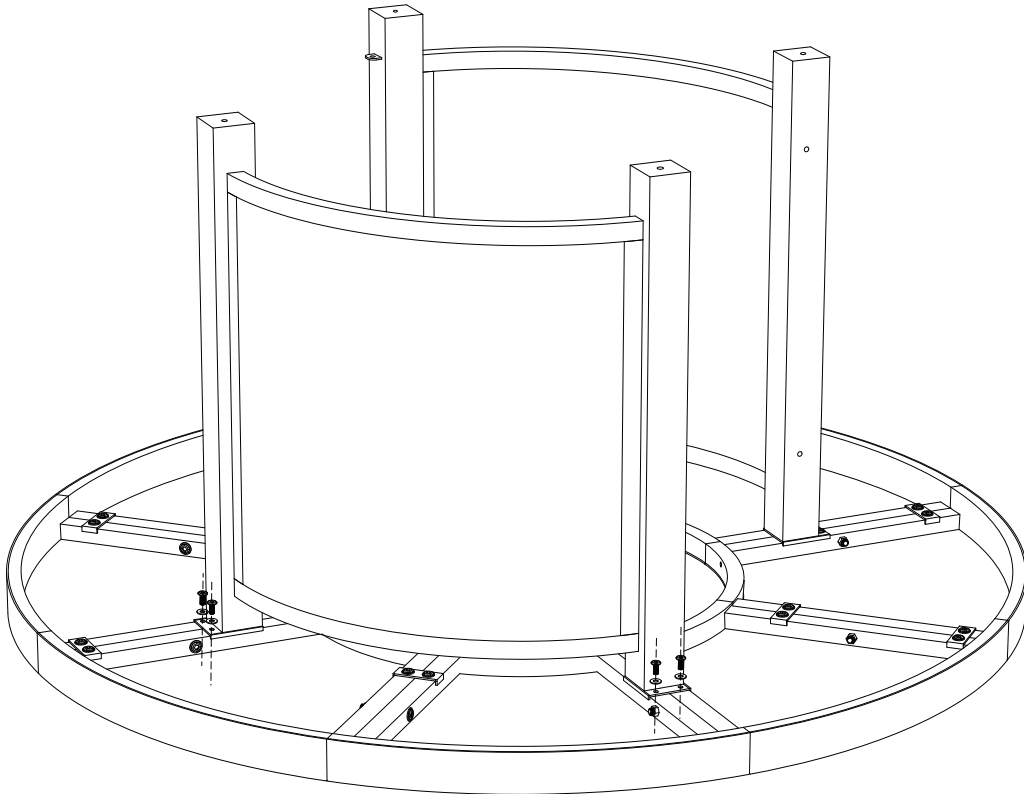
E  x1      I1  M6\*20 x8      J  x8

**Step 5:** Fit the leg 1 (D1). Align the holes in the leg 1 with the burner for installation.  
**NOTE:** Do not tighten the screws all the way.



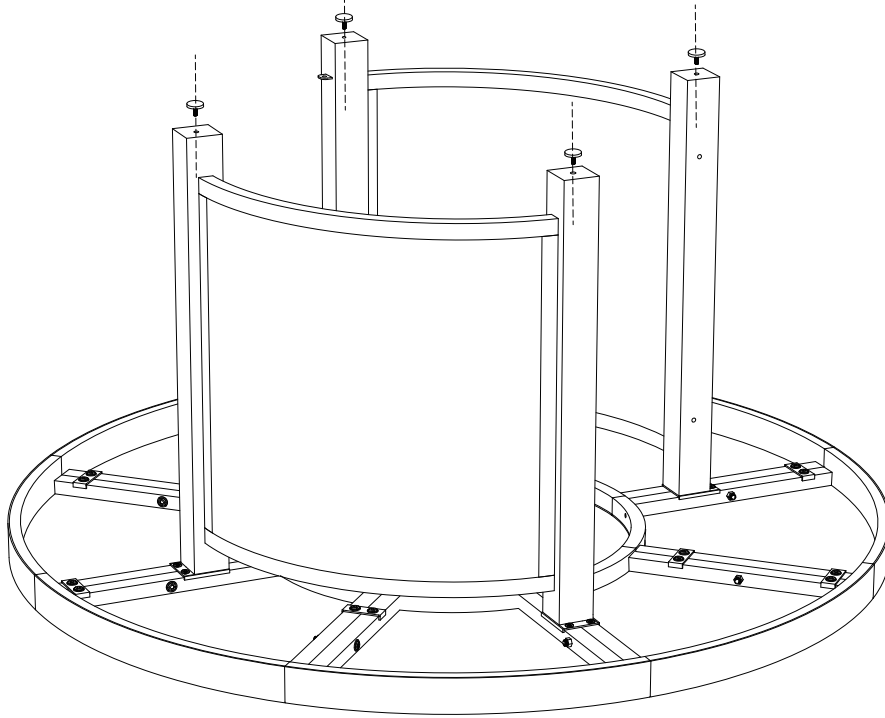
D1  x1      I1  M6\*20 x4      J  x4

**Step 6:** Fit the leg 2 (D2).  
**NOTE:** Do not tighten the screws all the way.



D2  x1      I1  M6\*20 x4      J  x4

**Step 7:** Attach the adjustable foot(P) pads to the legs(D1,D2).



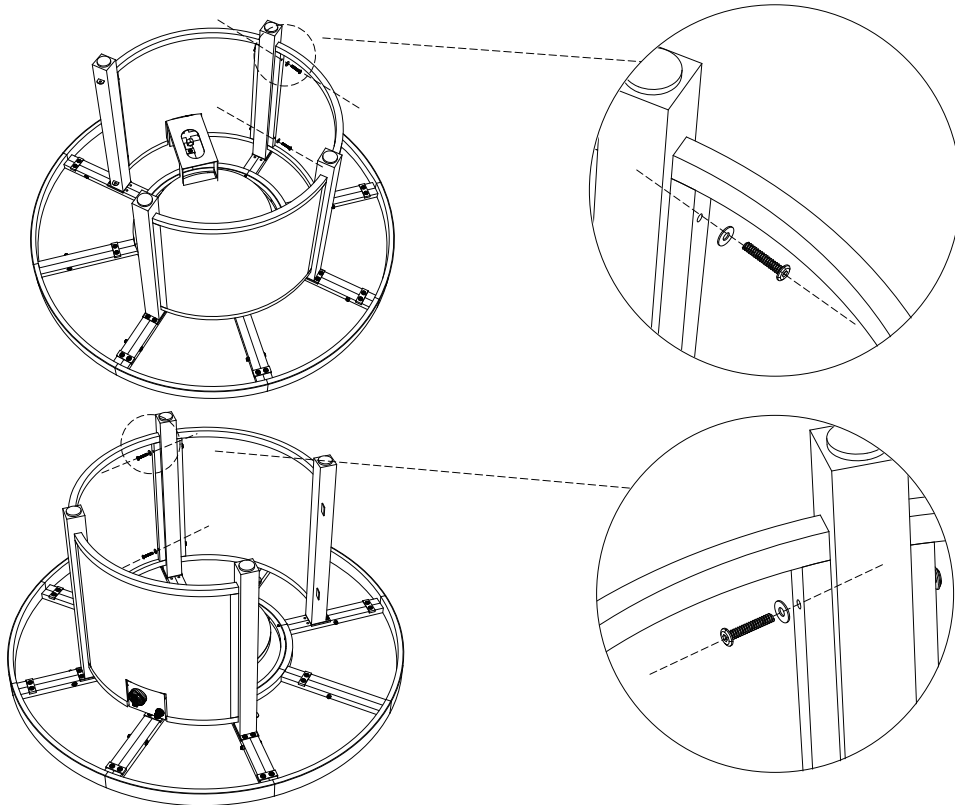
P



x4

**Step 8:** Install the side panel(C) between the leg1(D1) and the leg2(D2).

**NOTE:** Do not tighten the screws all the way.



C



x1

I



x4

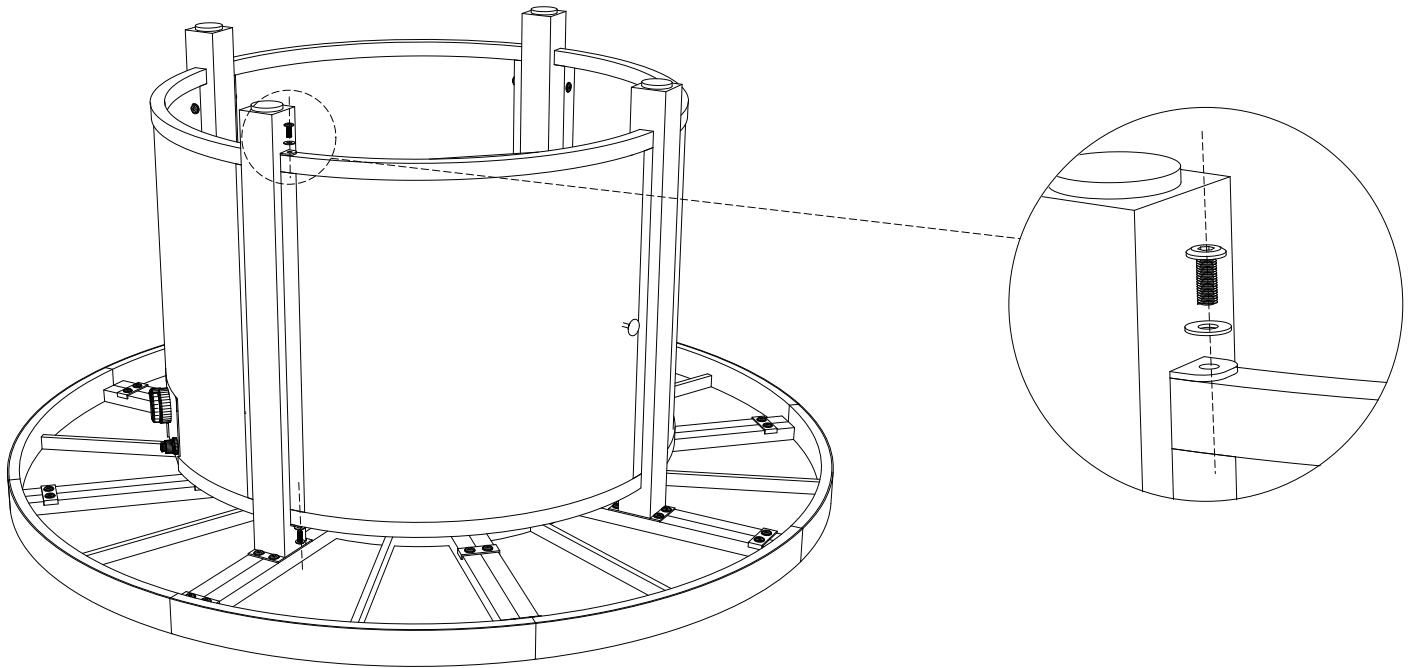
J



x4

**Step 9:** Install the door(B)

**NOTE:** Do not use too much force to prevent damage.



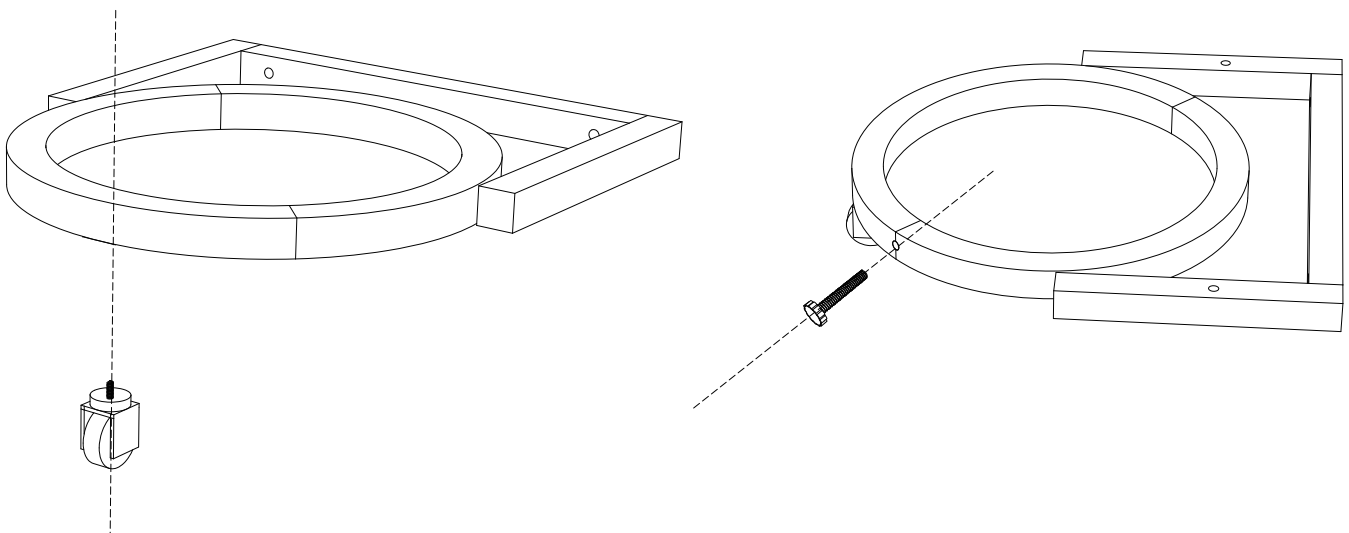
B x1

I1  M6\*20 x2

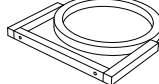
J  x2


**Step 10:** Install the wheel(Q) to the gas cylinder base(G) and lock the screw(L).

**NOTE:** Tighten the screw.



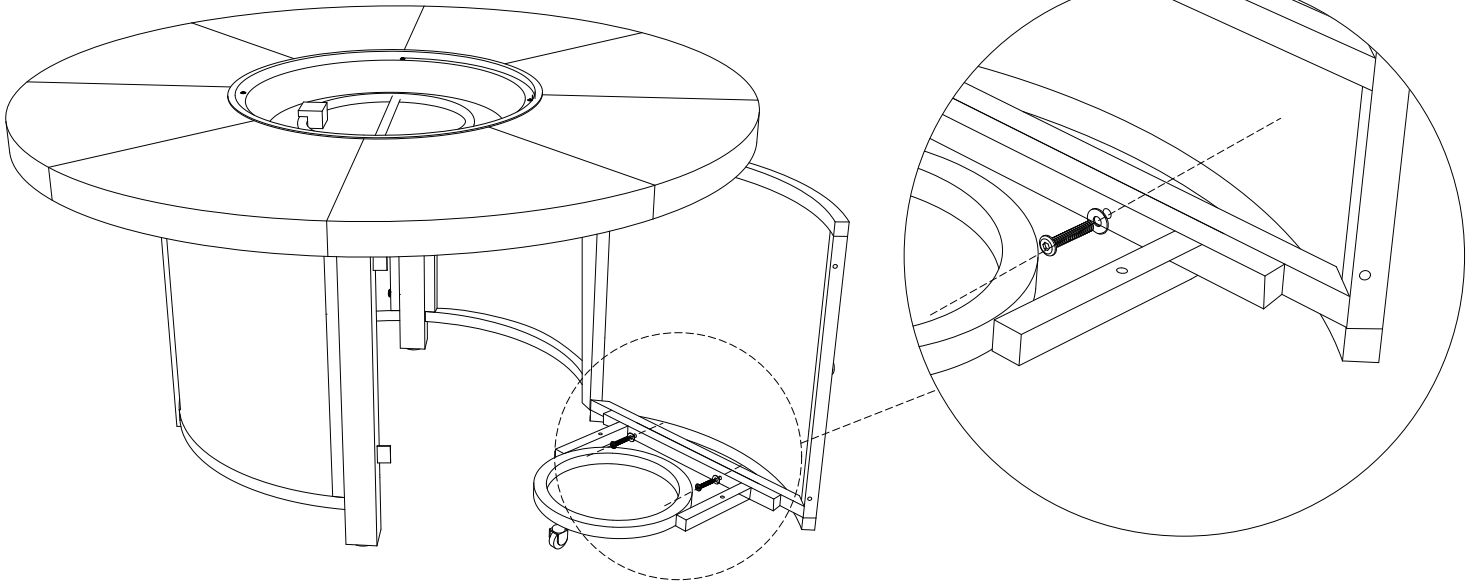
Q  x1

G  x1

L  x1

**Step 11:** Attach the cylinder base to the door.

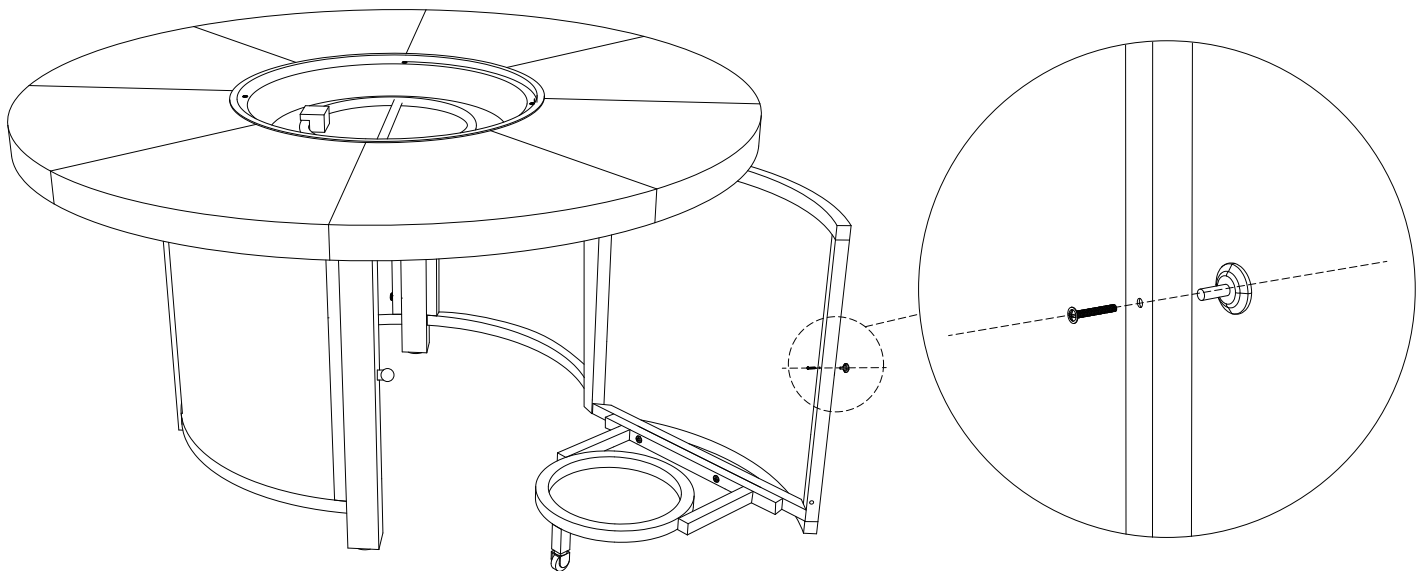
**NOTE:** Tighten the screws .



I2  M6\*30 x2 J  x2

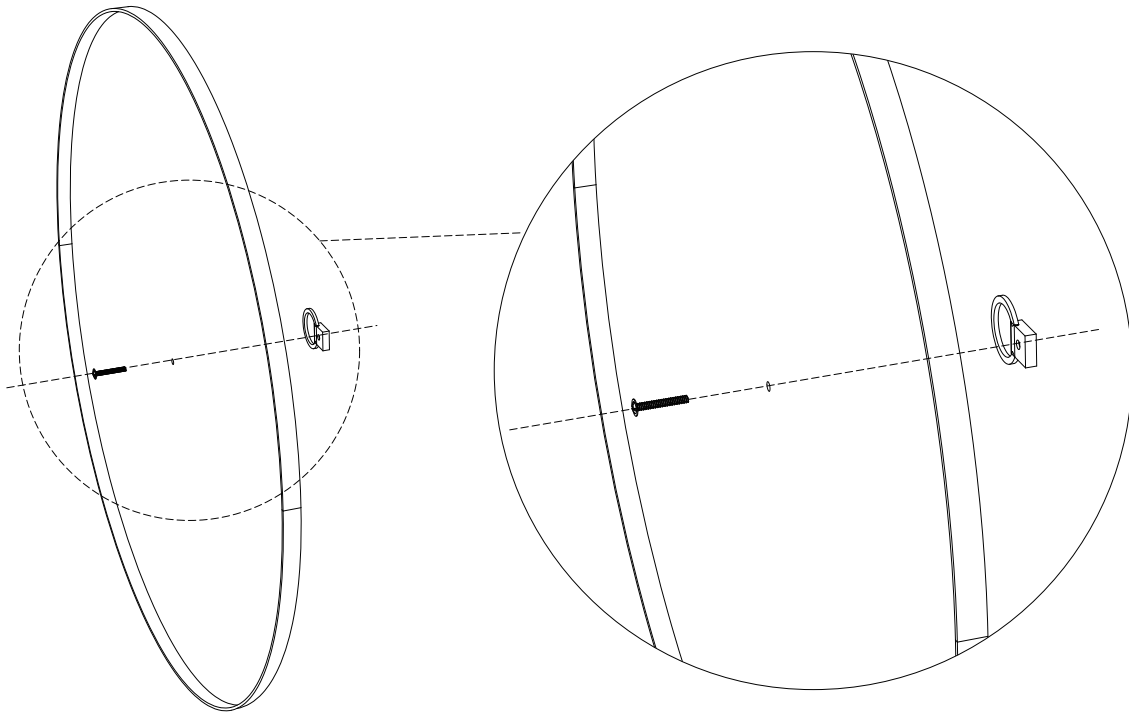
**Step 12:** Attach the doorknob(S) to the door.

**NOTE:** Tighten the screws .



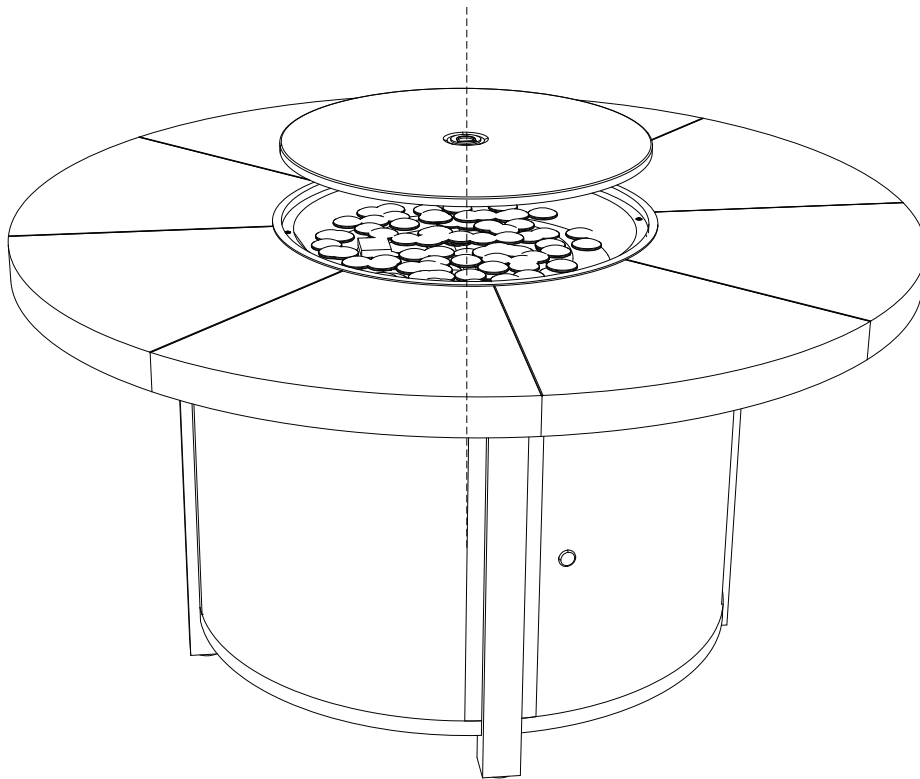
S  x1 M  x1

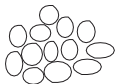
**Step 13:** Attach the pull tab(R) to the lid(F).



R  x1      M  x1      F  x1

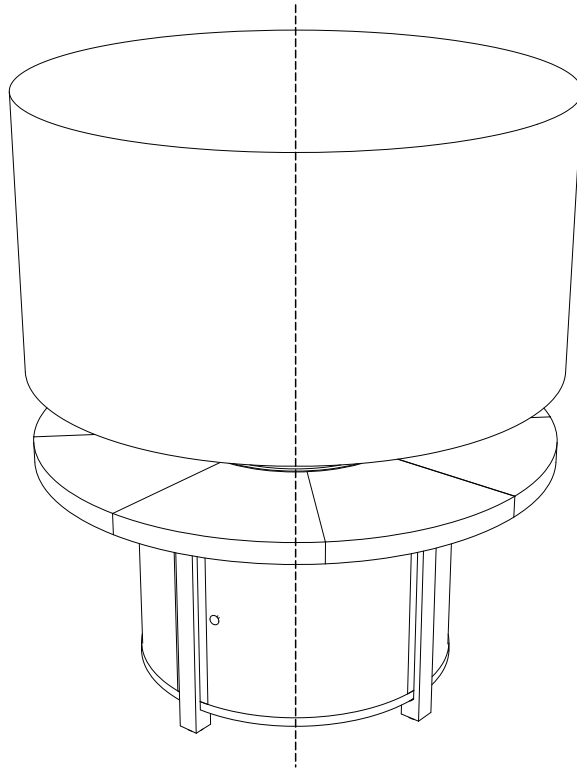
**Step 14:** Pour in glass stones(T). Cover the lid.



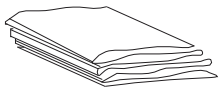
T  x1

**NOTE:**We recommend the use of furniture covers to protect the patio fire pit when not in use;

Please remove the wind guard before you use waterproof table cover.



U



x1

# PROBLEMS CHECK LIST

PROBLEM	PROBABLE CAUSE	SOLUTION
Burner will not light	Pressure is low	Tank near empty Refill LPG tank.
	Opening blocked	Remove and clean
	Control not ON	Turn valve to ON
	Thermocouple bad	Replace thermocouple
	Pilot light assembly bent	Place pilot properly
	Not in correct location	Position properly and retry

If the appliance is in case of any defaults or problems with assembly or use, please don't try to modify it by yourself.

**DON'T WORRY ABOUT QUALITY-** This propane Fire Pit table is more durable and suitable for all weather. Provide sufficient warm and romantic campfire atmosphere for your family and friends.

**ETL APPROVED AND SAFETY-** This gas fire pit table has passed the most dynamic safety certification in North America. It not only has an upgraded version of dual pipe burner to make combustion more uniform, but also has the highest safety standard of 40000 BTU stainless steel burner rated power to provide the most sufficient flame. Our fire pit table uses propane fuel, clean and pollution-free.

**MULTI-FUNCTION FIRE PIT-** This fire pit table size: 48.0 "L x 48.0" W x 26.0"h. This suitable size is enough for eight people to sit around to warm up. After you cover it, it can also be used as a tea table and dining table. Fashionable appearance can be matched with various outdoor sofas to add color to your garden, courtyard, terrace and balcony.

**FREE FOR YOU-** We will give you windproof glass, fire glass, Waterproof and sun-proof table cover, lid, instruction manual and 1 package of parts for free. You can put about five kilograms of propane gas into the gas tank, which is enough to burn for weeks. You can use fire glass to create a different flame, invite friends to a smoke-free, warm and romantic bonfire party!

**CUSTOMER SERVICE & GUARANTEE-** We offer you 12-month quality assurance. If you have any questions about this fire pit table, please feel free to contact us.