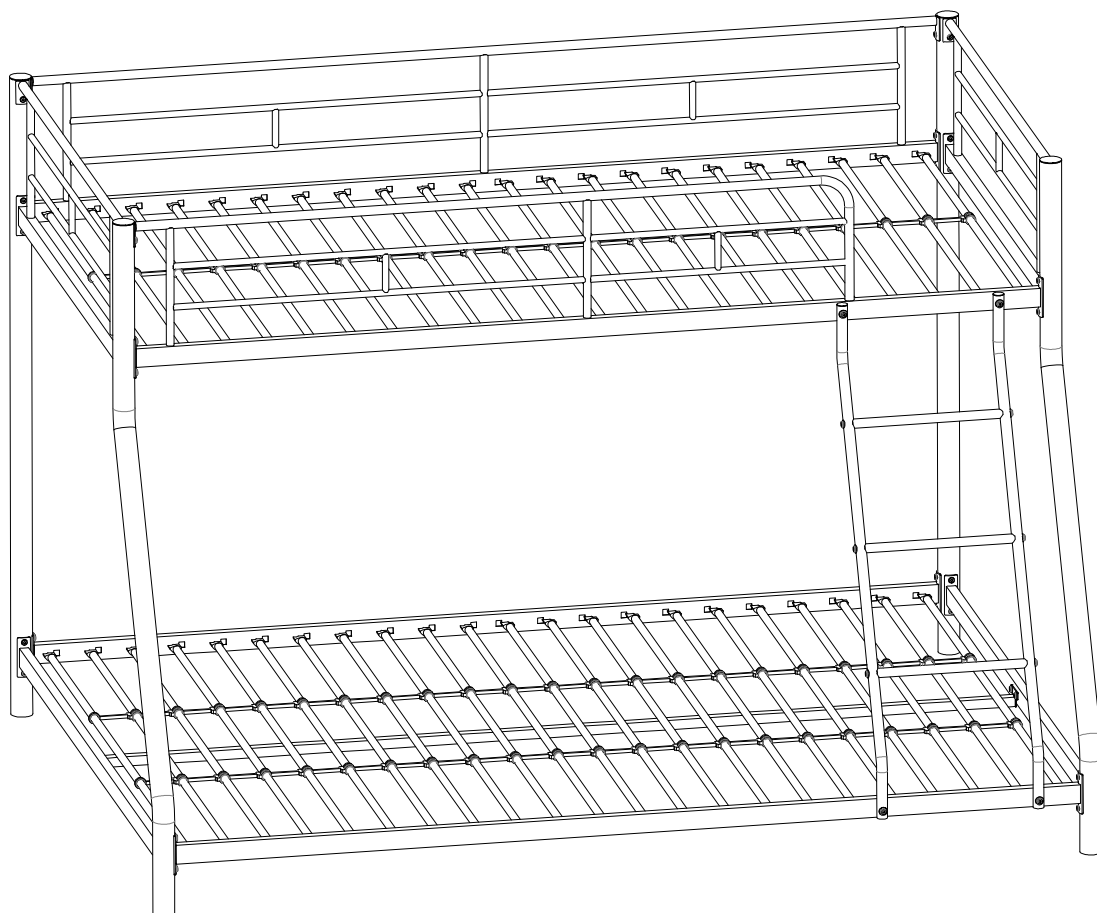
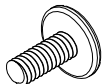
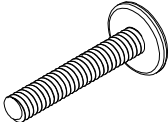
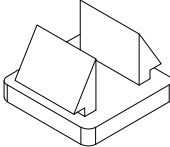
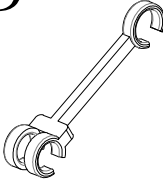



ASSEMBLY INSTRUCTION

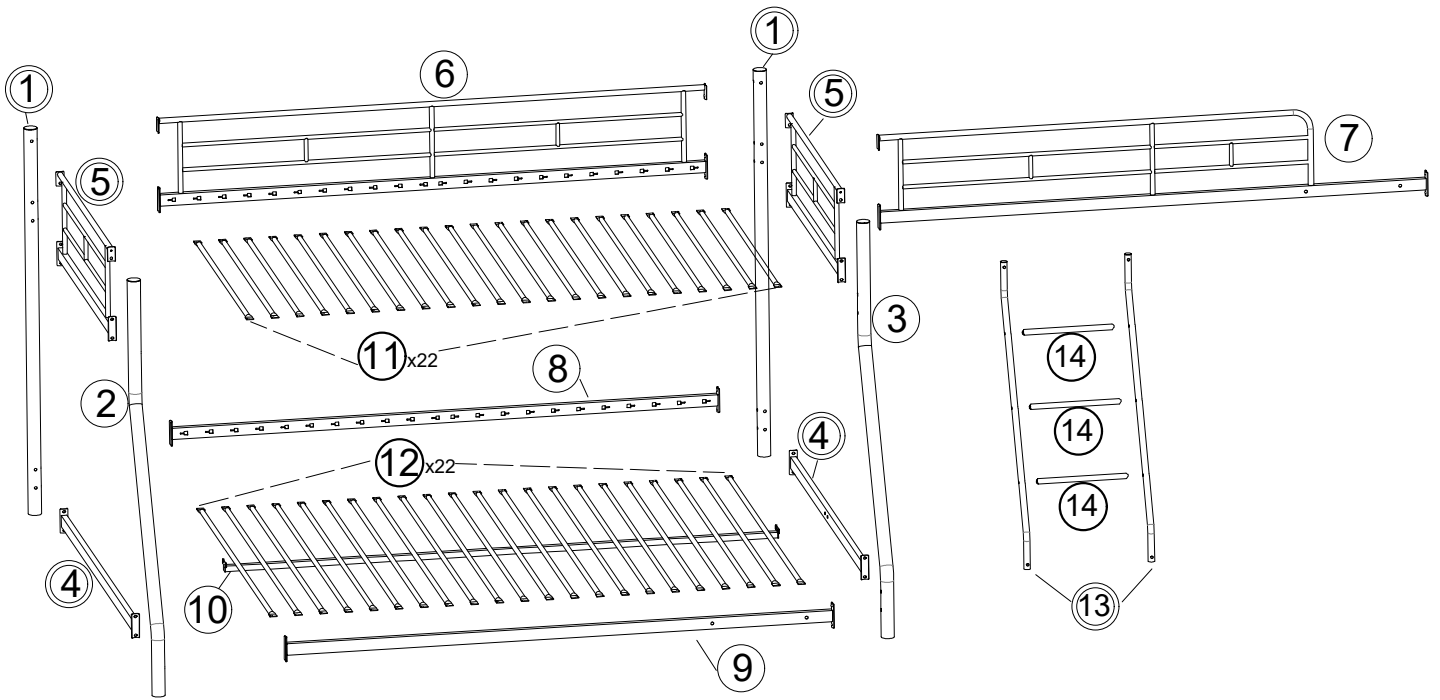
MB230302TF



HARDWARE LIST

| | | | |
|--|--|--|---|
| <p>A</p>  <p>1/4*20mm 43PCS</p> | <p>B</p>  <p>1/4*35mm 10PCS</p> | <p>C</p>  <p>88PCS</p> | <p>D</p>  <p>63PCS</p> |
| <p>E</p>  <p>2PCS</p> | | | |

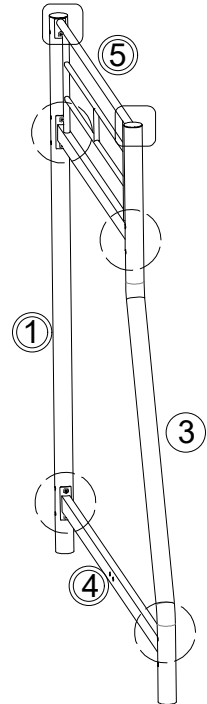
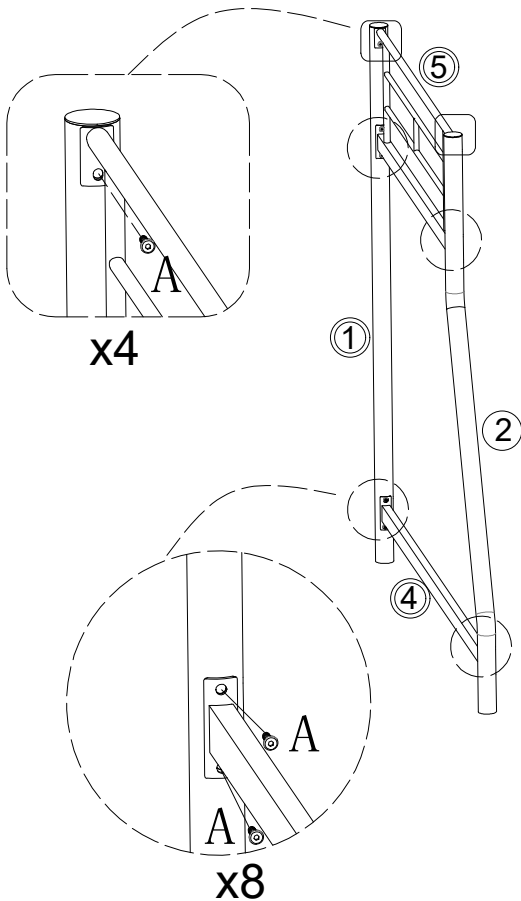
PART LIST





- (11) (12) = 22 PCS (14) = 3 PCS
 (1) (4) (5) (13) = 2 PCS ○ = 1 PC

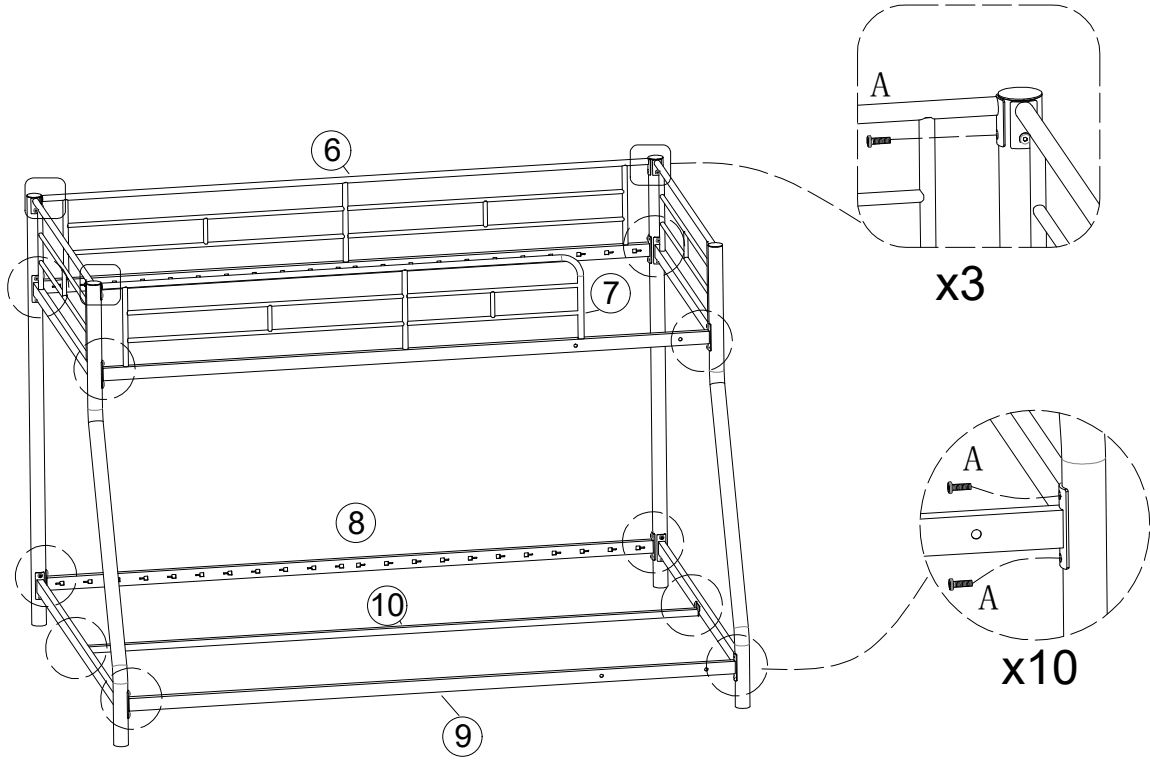
STEP 1



Note: Please do not tighten all bolts until the bed is assembled completely



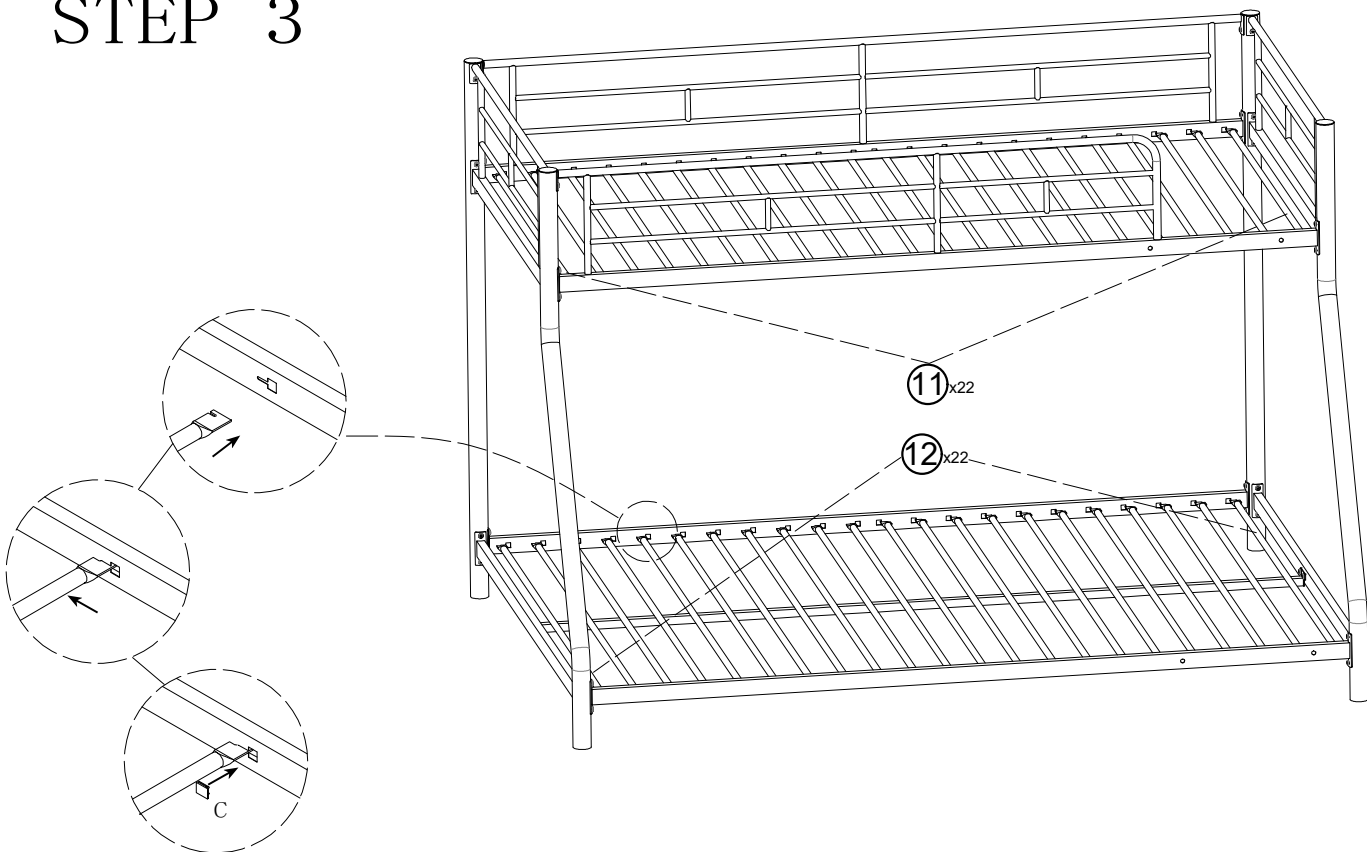
| | |
|---|---|
| A | E |
|  |  |
| 1/4*20mm 20PCS | 1PC |


STEP 2



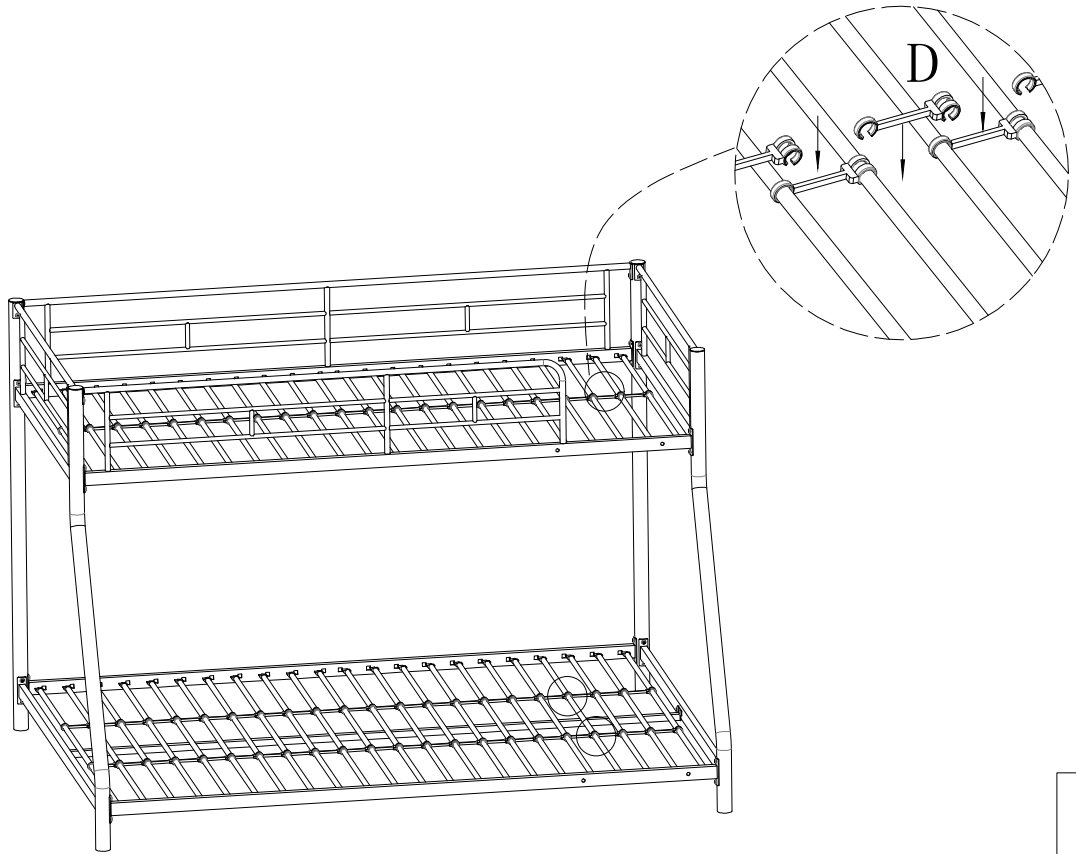
| | |
|---|--|
| <p>A</p>  <p>1/4*20mm 23PCS</p> | <p>E</p>  <p>1PC</p> |
|---|--|


STEP 3



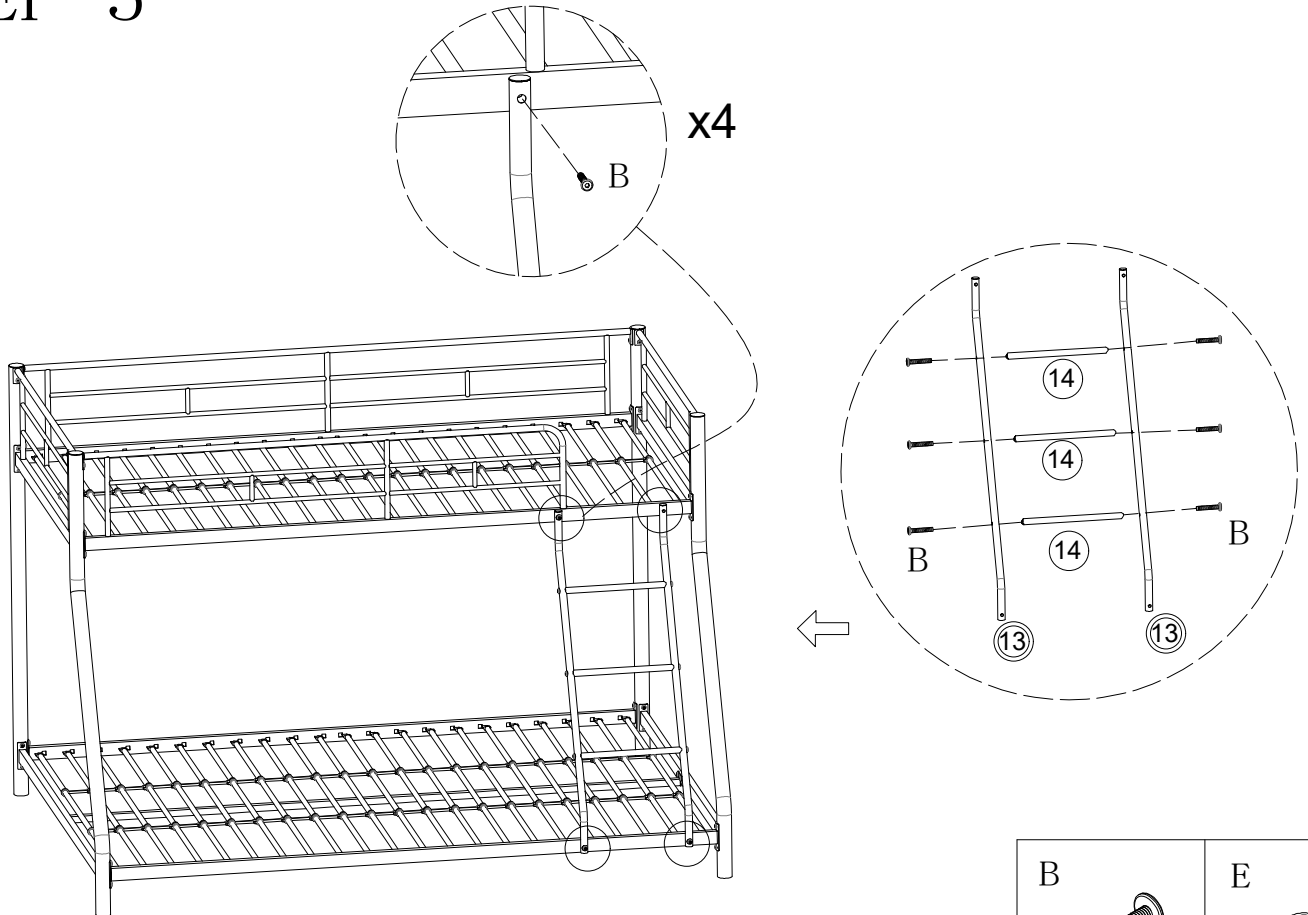
| |
|---|
| <p>C</p>  <p>88PCS</p> |
|---|



STEP 4



| | |
|-------|--|
| D |  |
| 63PCS | |

STEP 5



| | | | |
|-------------------|---|-----|---|
| B |  | E |  |
| 1/4*35mm 10PCS | | 1PC | |