

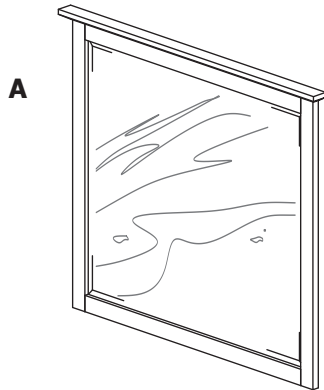
MIRROR

ASSEMBLY INSTRUCTIONS

PARTS AND FITTING PACKAGING DETAIL

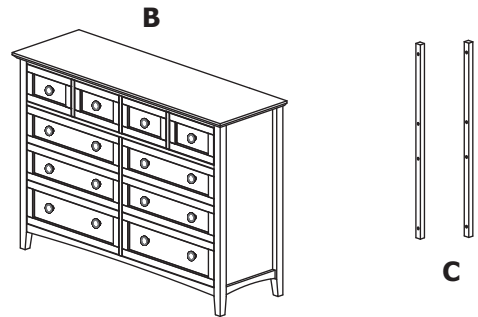
BOX MIRROR

A. MIRROR 1 PC



BOX DRESSER 8 DRAWER *

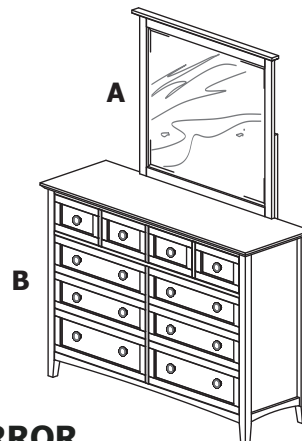
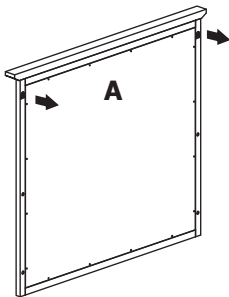
B. DRESSER 8 DRAWER 1 PC
 C. MIRROR SUPPORT 2 PCS
 HARDWARE** IN PLASTIC PUNCH



*SOLD SEPARATELY

OPTION 1 FIXING MIRROR ON THE WALL

HANGING ON THE WALL
 USING EYE LIDS WHICH
 ALREADY INSTALLED



OPTION 2 FIXING MIRROR ON THE DRESSER 8 DRAWER

HARDWARE** PACKED IN BOX DRESSER 8 DRAWER

1	ALLEN BOLTS 40MM	8 PCS

TOOL REQUIRED :

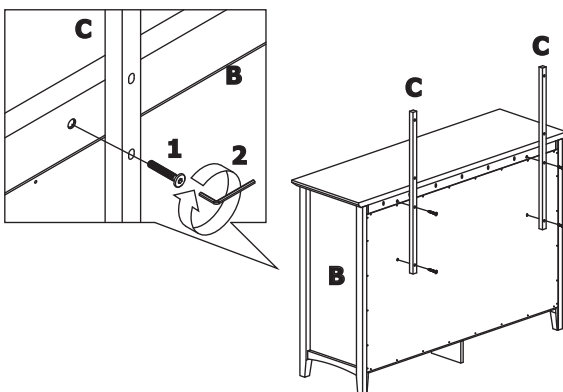
2	ALLEN KEY	1 PC

⚠ WARNING

FOR YOUR SAFETY AND CONVENIENCE
 ASSEMBLY BY TWO PEOPLE IS RECOMMENDED

STEP 1 :

FOLLOW THE ILLUSTRATION TO FIX
 MIRROR SUPPORT (C) TO 8 DRAWER DRESSER (B)
 USING ALLEN BOLTS (1) FROM BACK SIDE. USE PILOT
 HOLES AS REFERENCE FOR EASY ASSEMBLY. INSERT
 ALLEN BOLTS (1) TO THE **HOLES** ON THE BACK
 SIDE OF DRESSER FOR LANDSCAPE POSITION.
 TIGHTEN THE BOLTS USING ALLEN KEY (2).



STEP 2 :

USE PILOT HOLES AS REFERENCE TO CONNECT
 MIRROR (A) & MIRROR SUPPORT (C) USING ALLEN
 BOLTS (1). TIGHTEN THE BOLTS USING ALLEN KEY (2).

