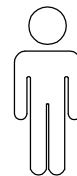
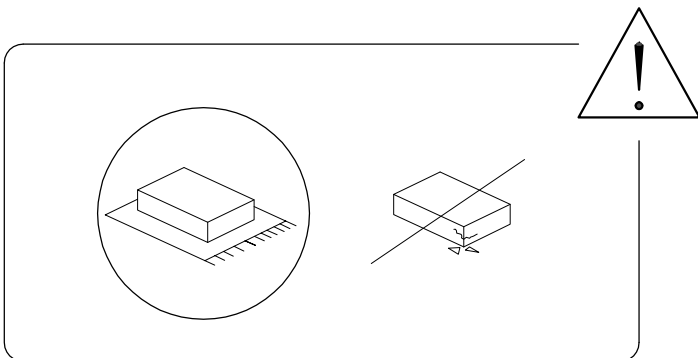
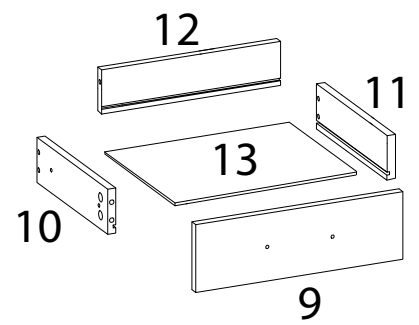
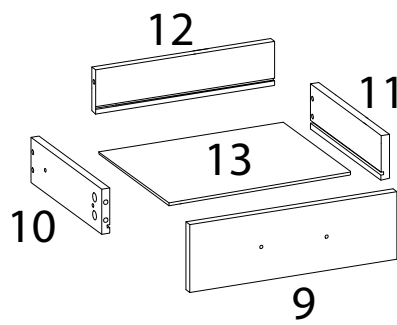
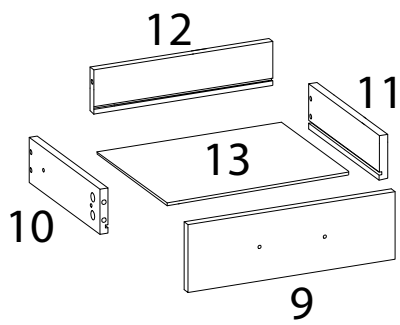
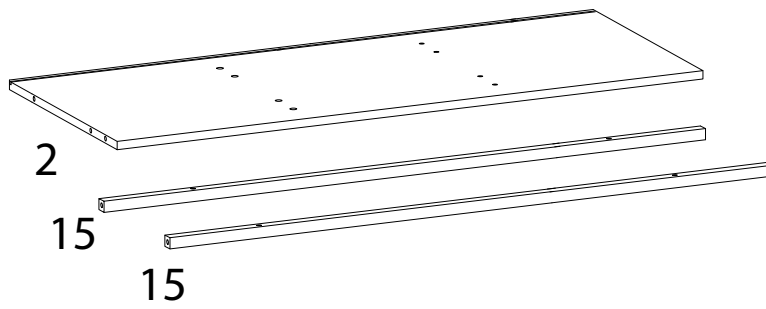
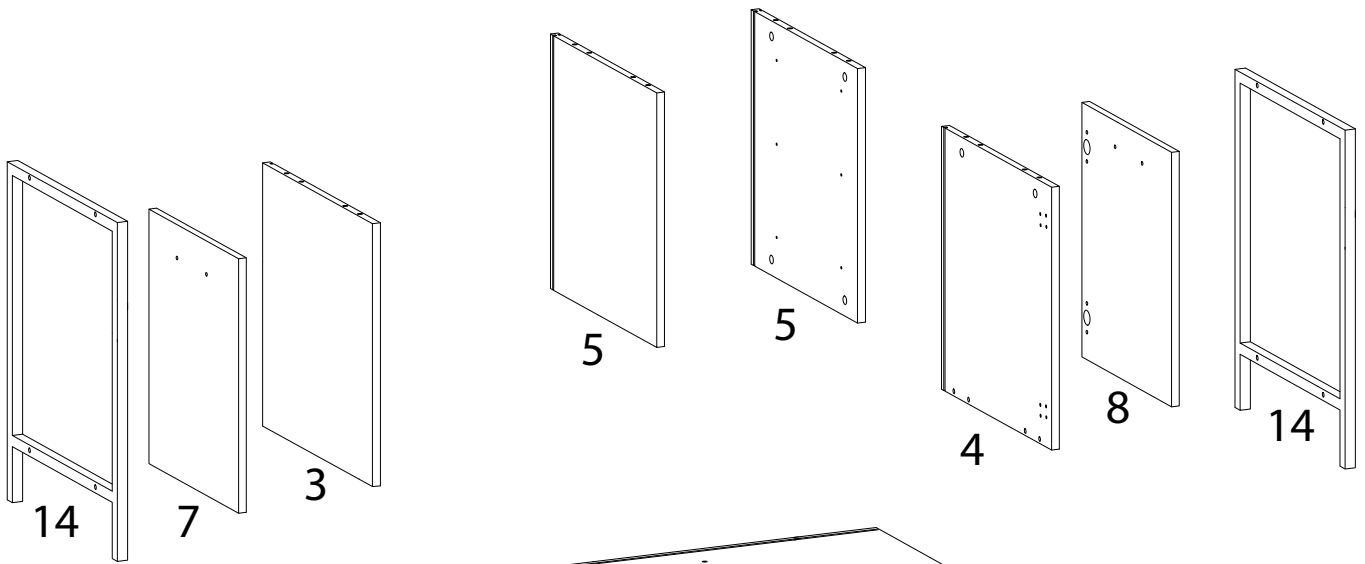
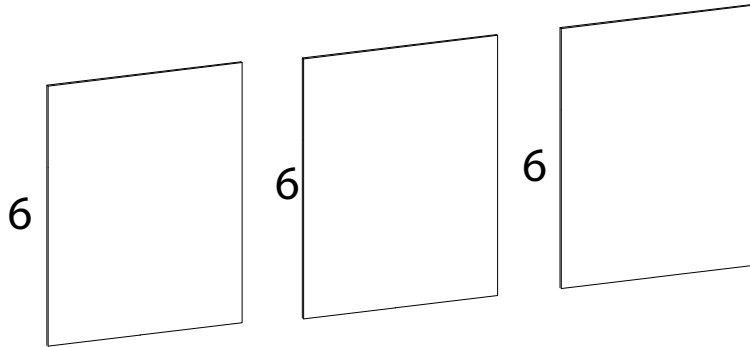
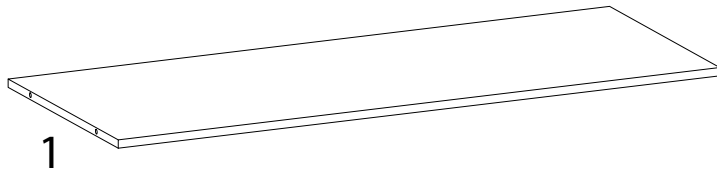


90'



1

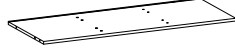


1



x 1

2



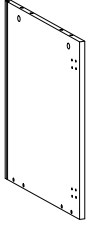
x 1

3



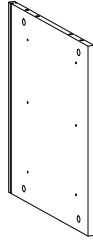
x 1

4



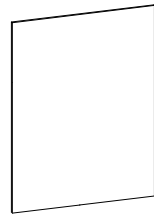
x 1

5



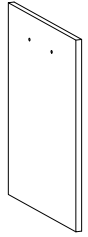
x 2

6



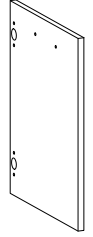
x 3

7



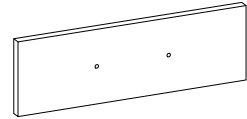
x 1

8



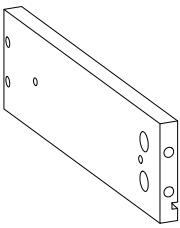
x 1

9



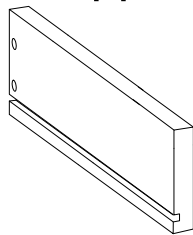
x 3

10



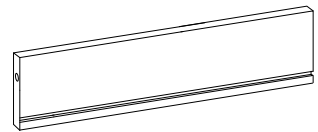
x 3

11



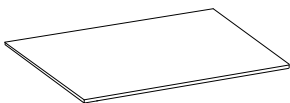
x 3

12



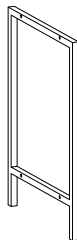
x 3

13



x 13

14



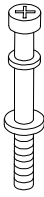
x 2

15



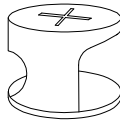
x 2

A



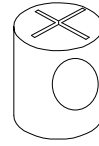
x 28

B



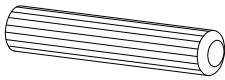
x 28

C



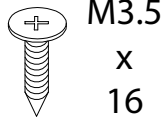
x 4

D



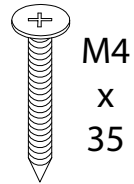
x 16

E



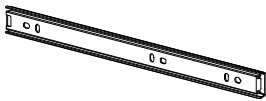
x 48

F



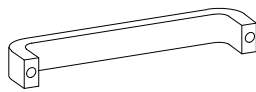
x 12

G



x 6

H



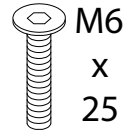
x 5

I



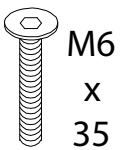
x 10

J



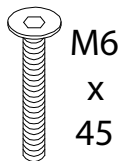
x 4

K



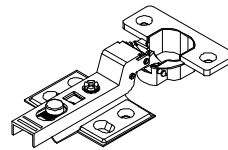
x 4

L



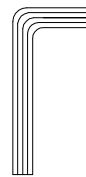
x 4

M



x 4

N



x 1

O



x 1

P



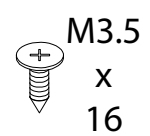
x 1

Q



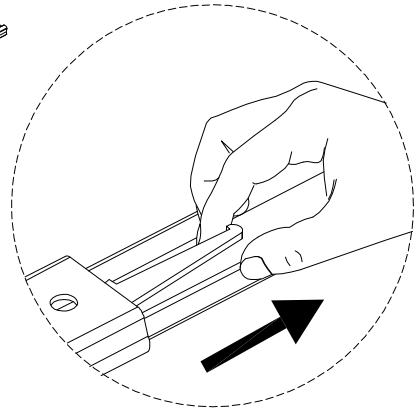
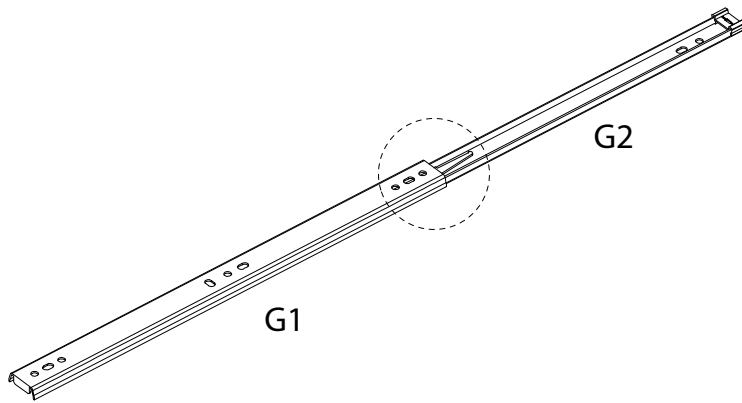
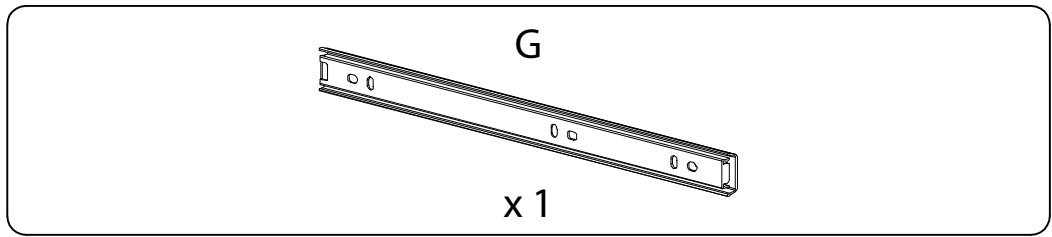
x 1

R

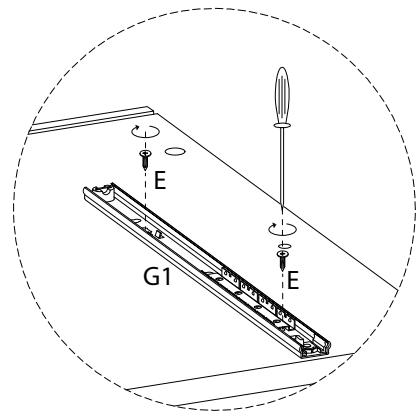
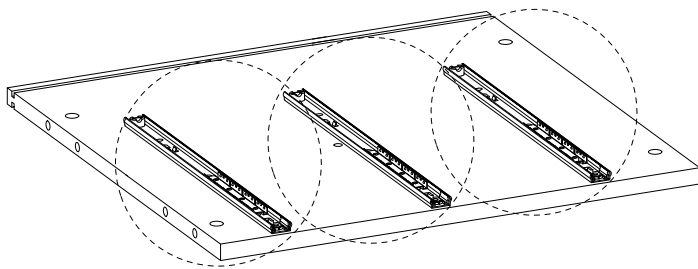
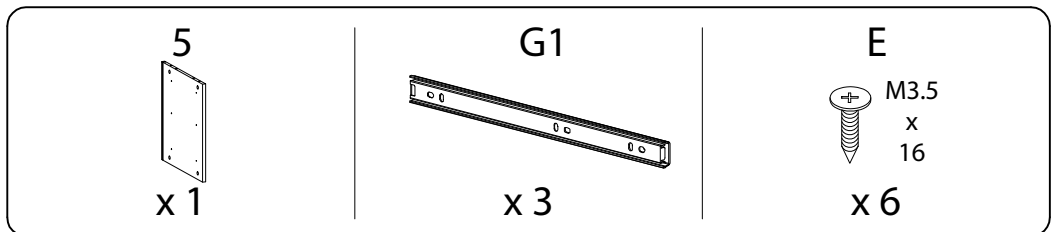


x 1

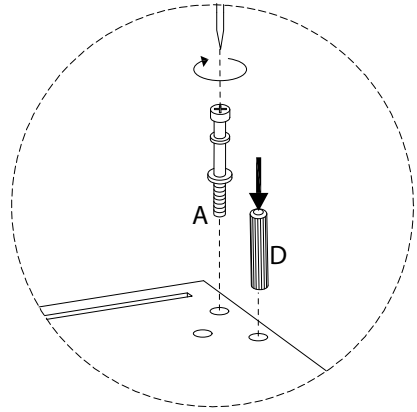
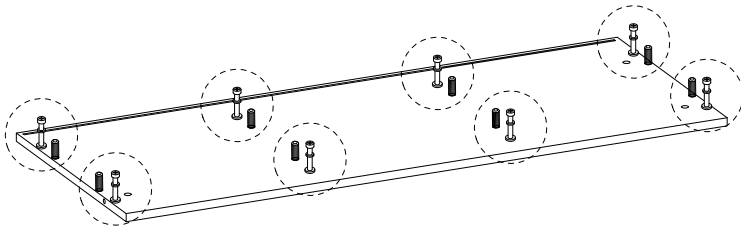
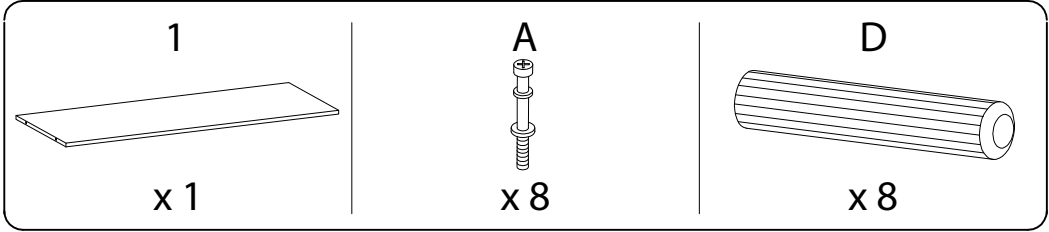
1 x 6



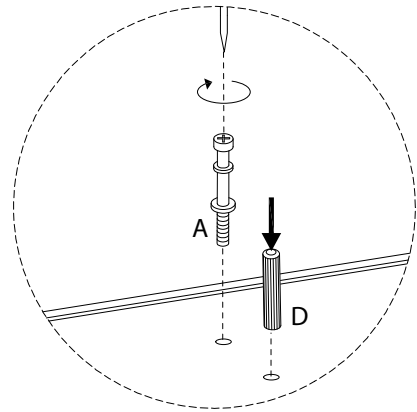
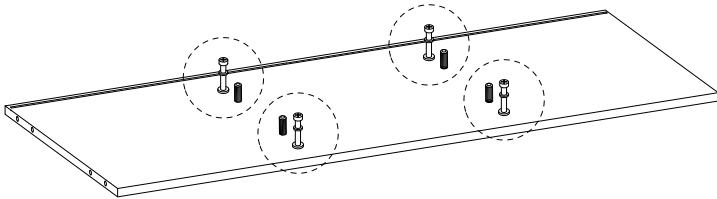
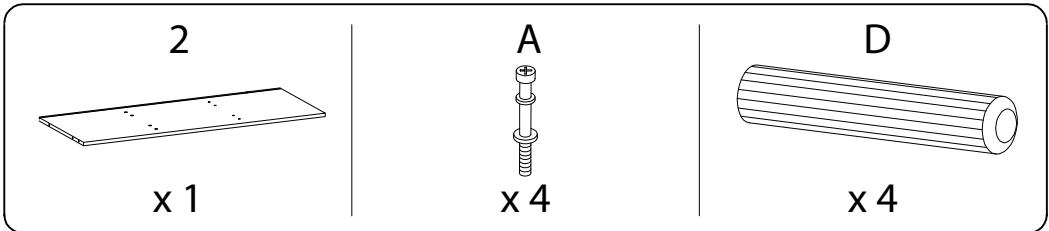
2 x 2



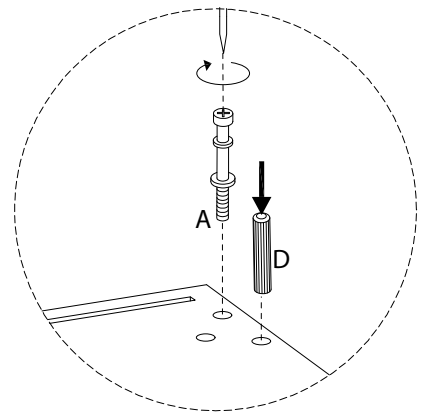
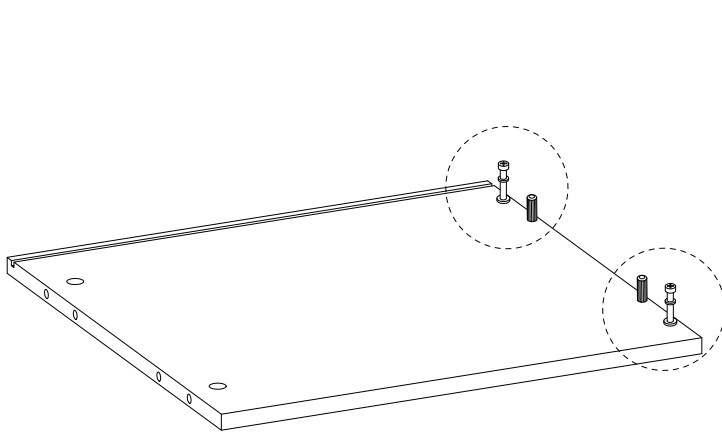
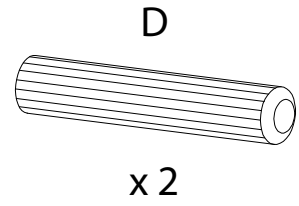
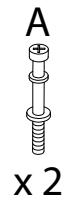
3



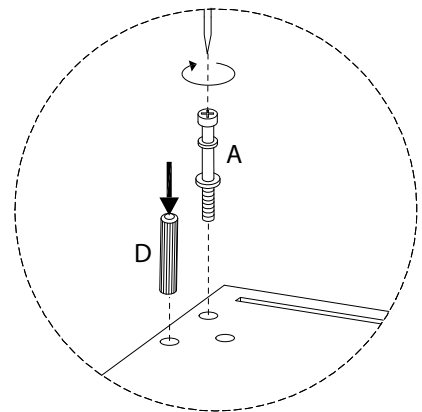
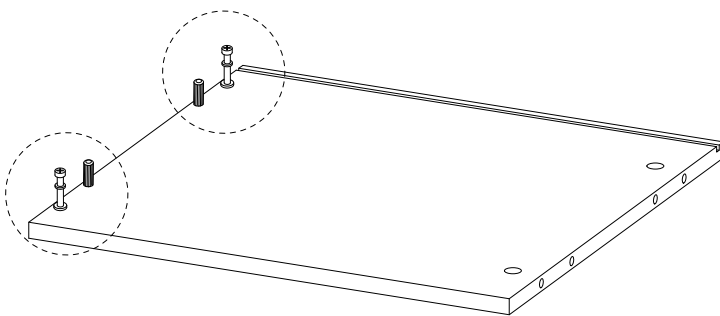
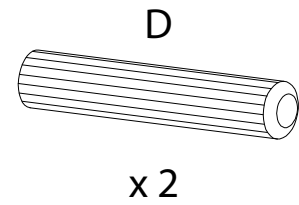
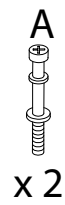
4



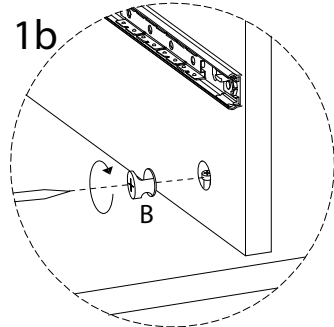
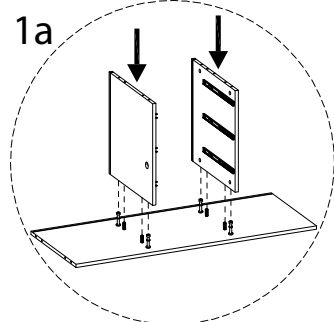
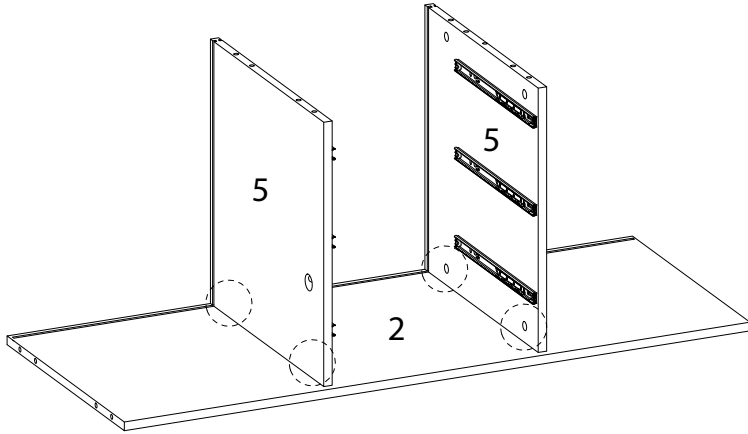
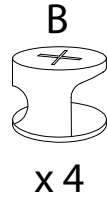
5



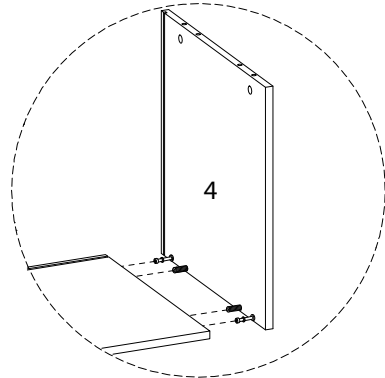
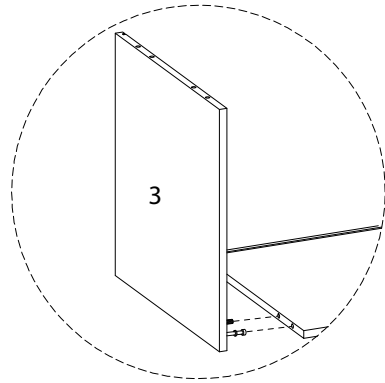
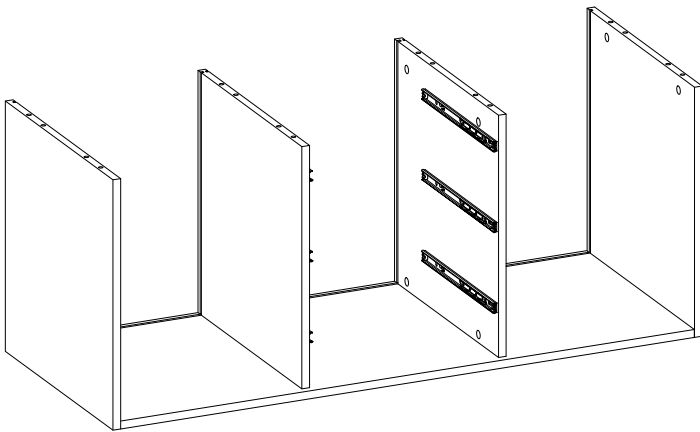
6



7

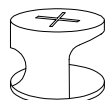


8

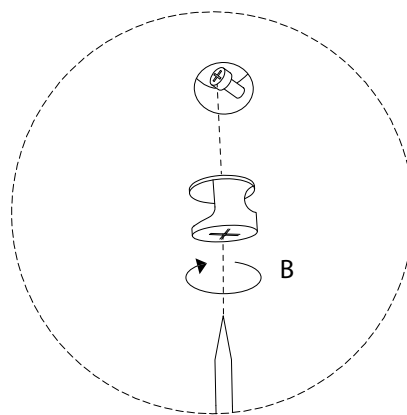
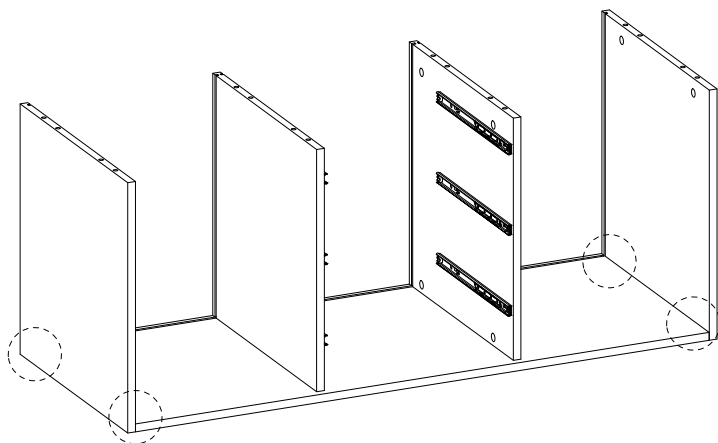


9

B

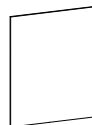


x 4

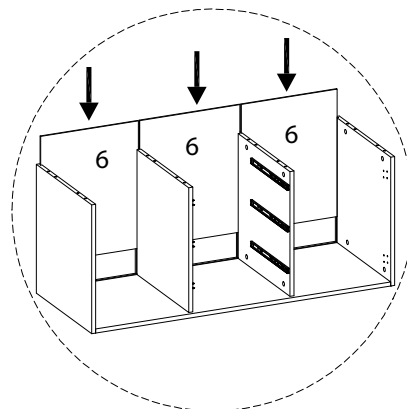
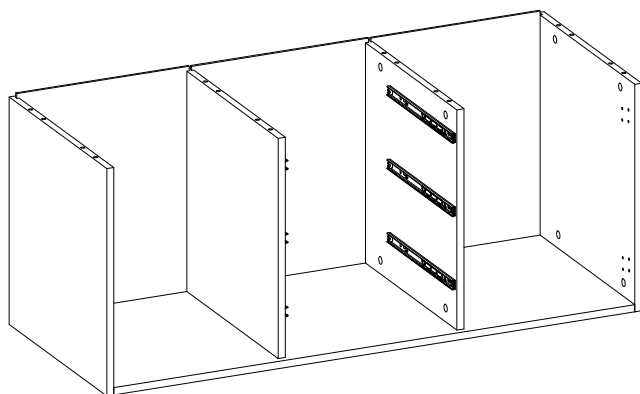


10

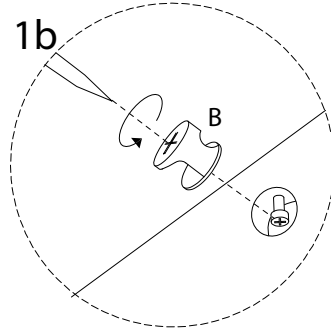
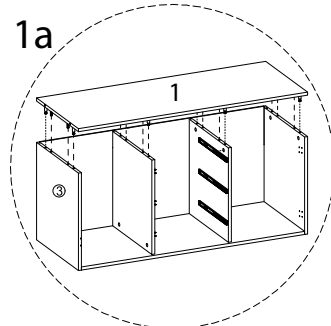
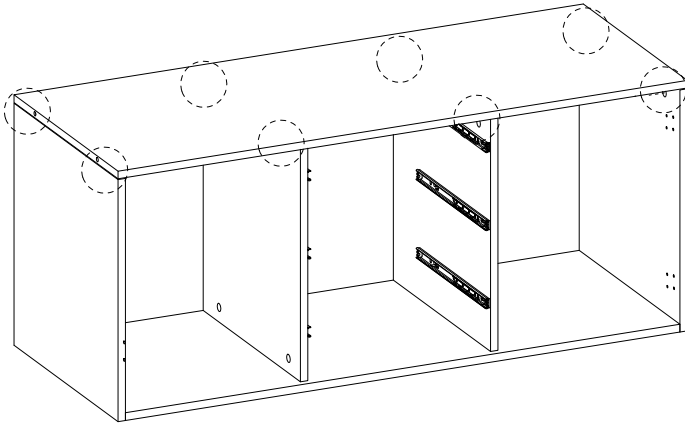
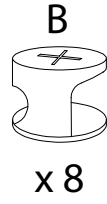
6



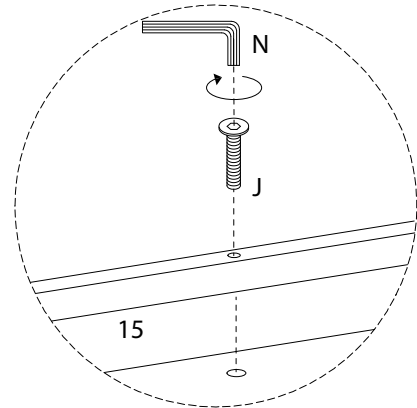
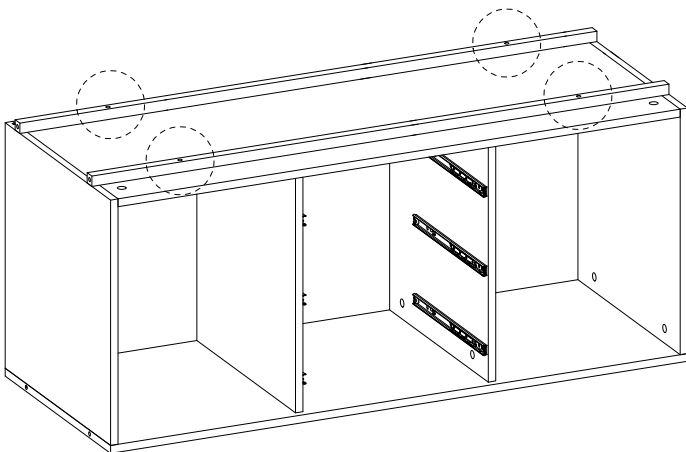
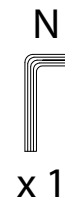
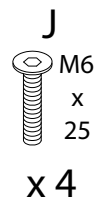
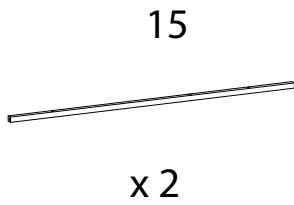
x 3



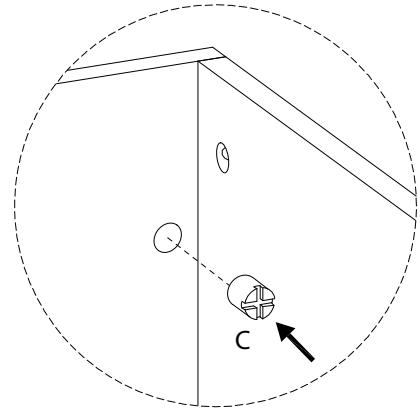
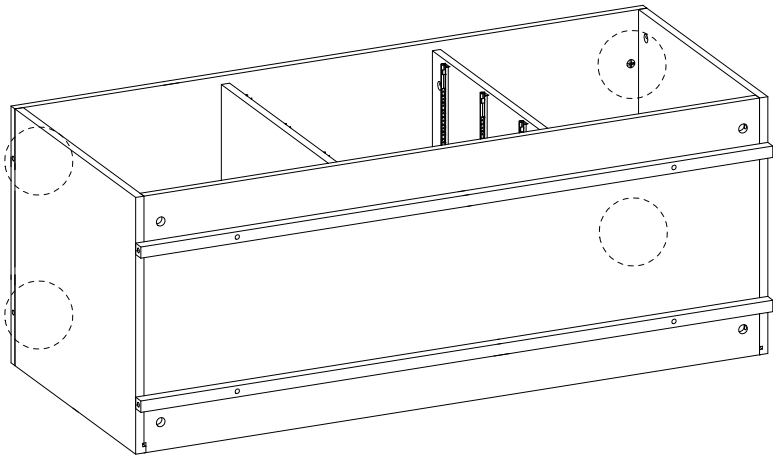
11



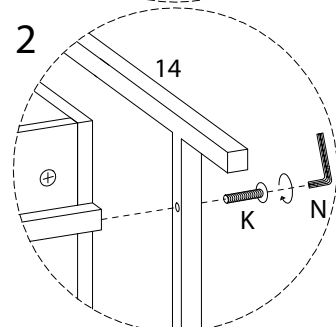
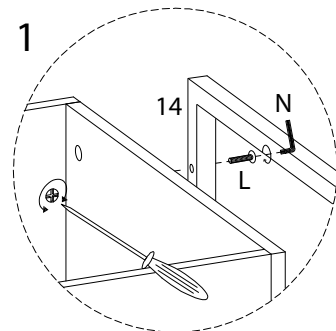
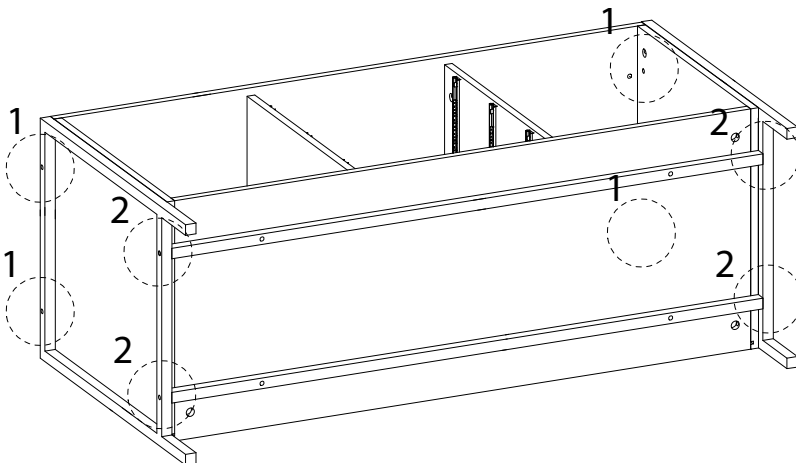
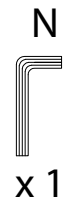
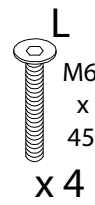
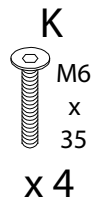
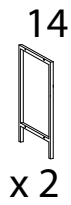
12



13



14



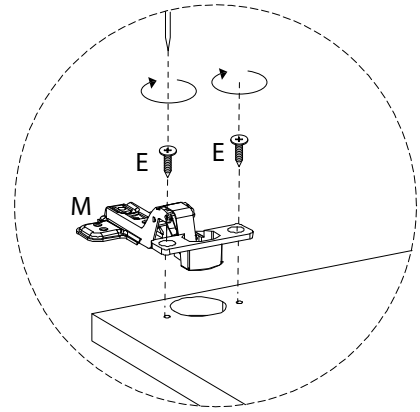
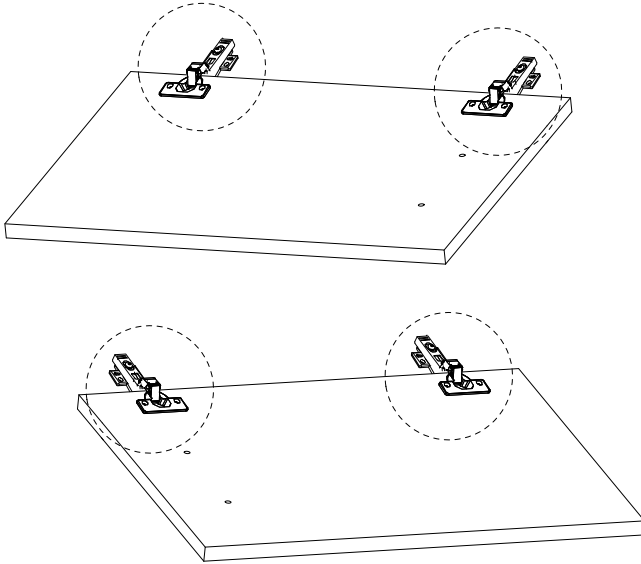
15

7
x 1

8
x 1

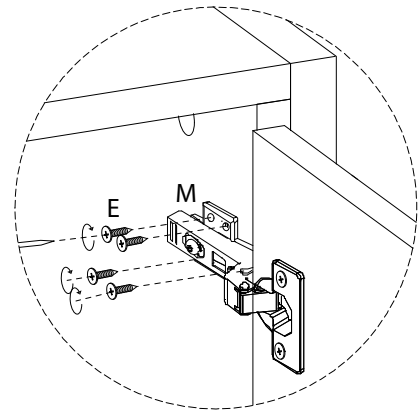
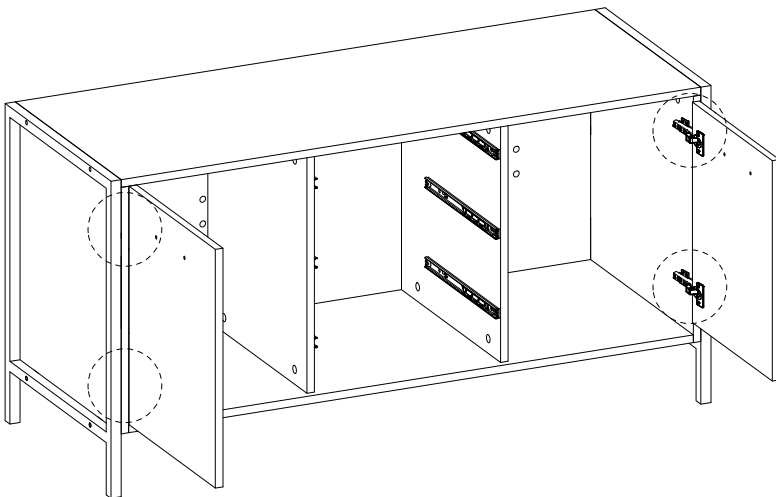
M
x 4

E
M3.5
x
16
x 8



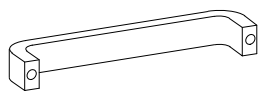
16

E
M3.5
x
16
x 16



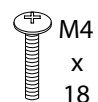
17

H



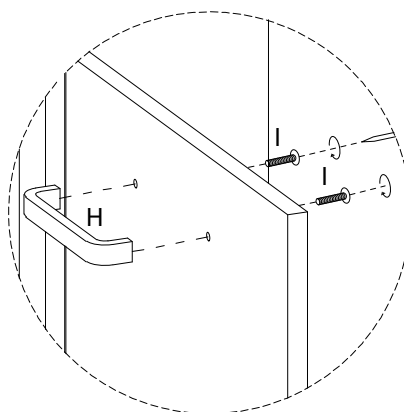
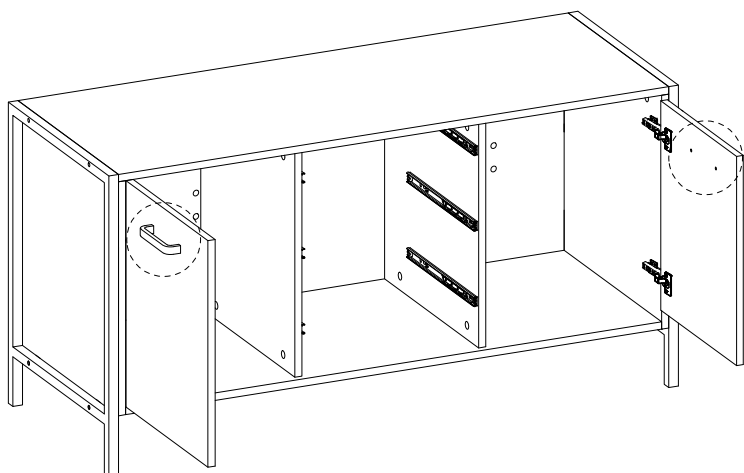
x 2

I



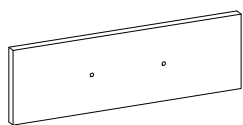
M4
x
18

x 4



18 x 3

9

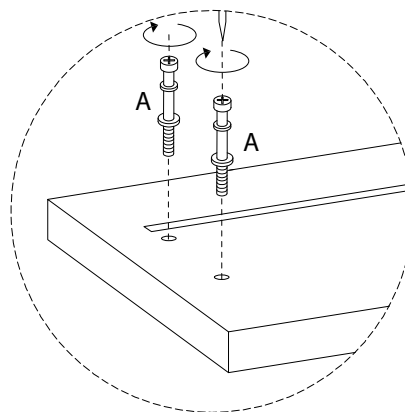
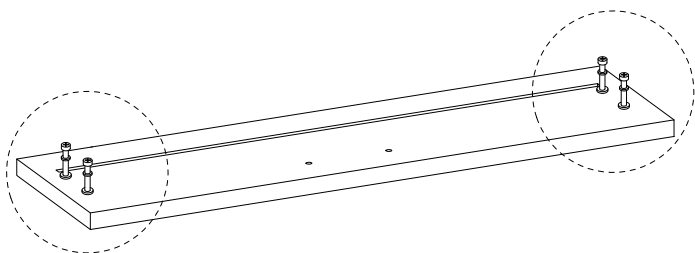


x 1

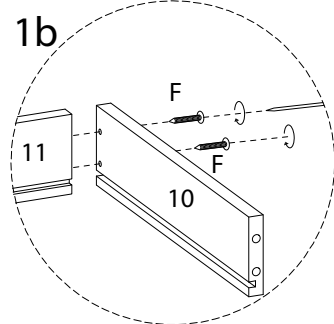
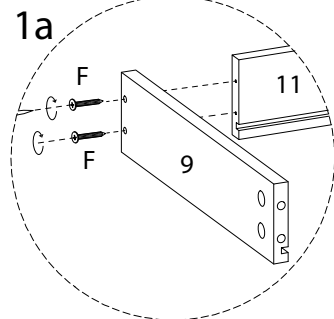
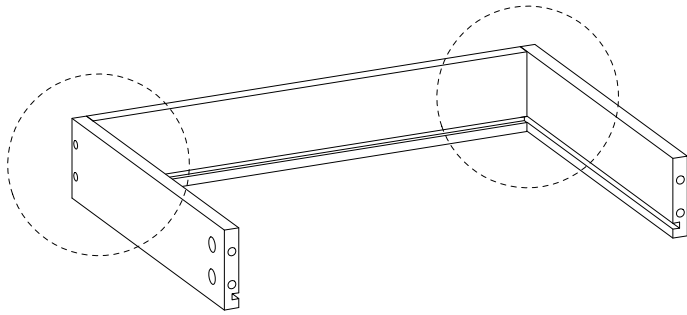
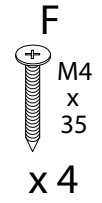
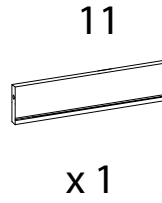
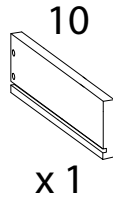
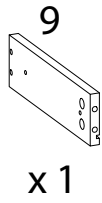
A



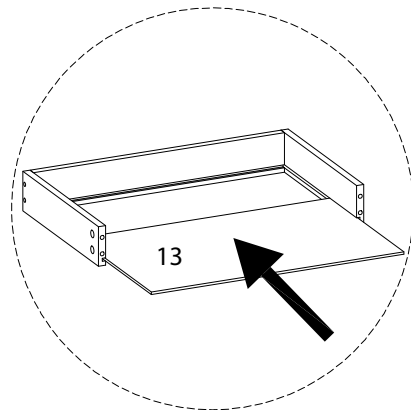
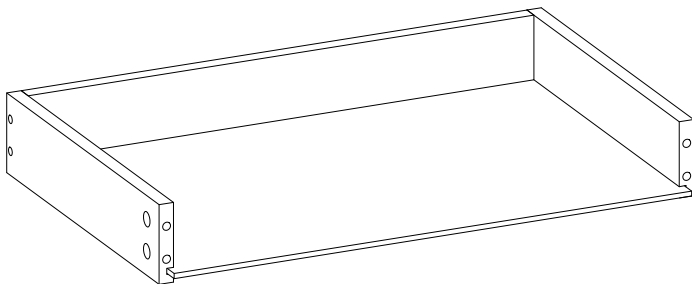
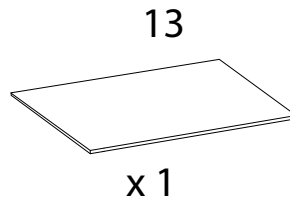
x 4



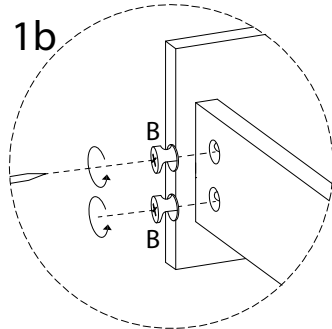
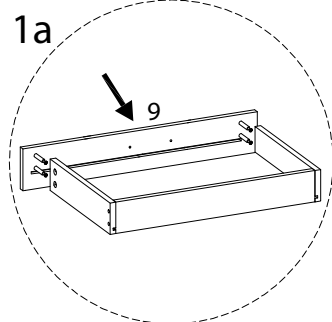
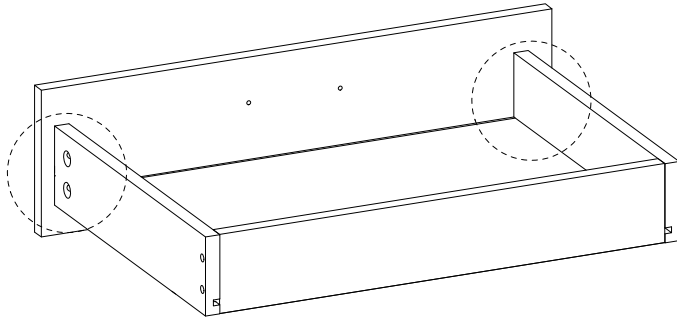
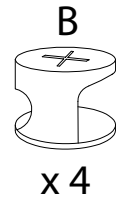
19 x 3



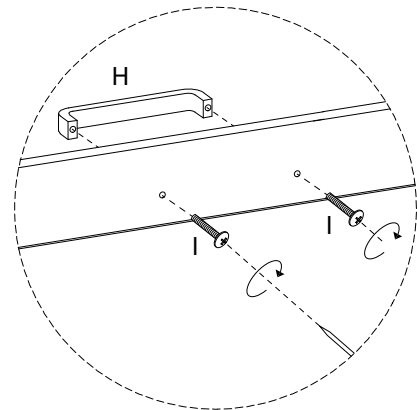
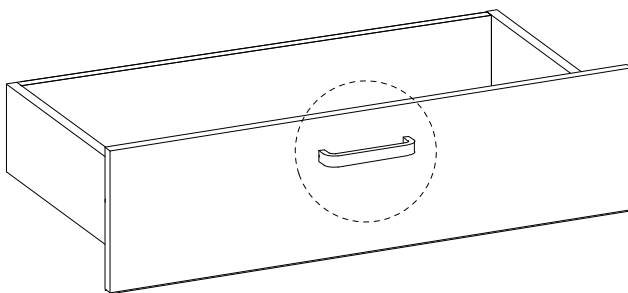
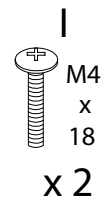
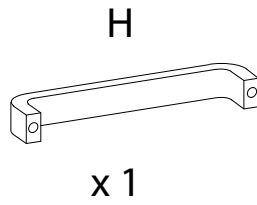
20 x 3



21 x 3

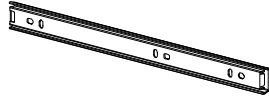


22 x 3



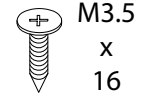
23 x 3

G2

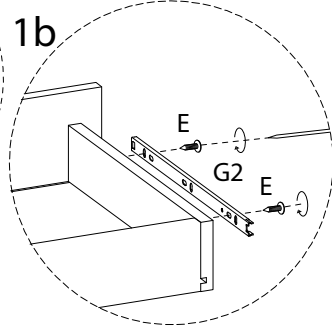
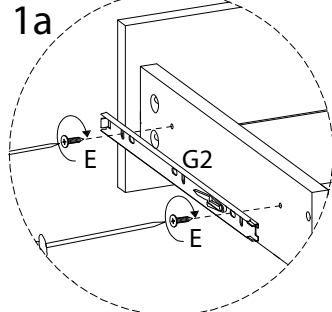
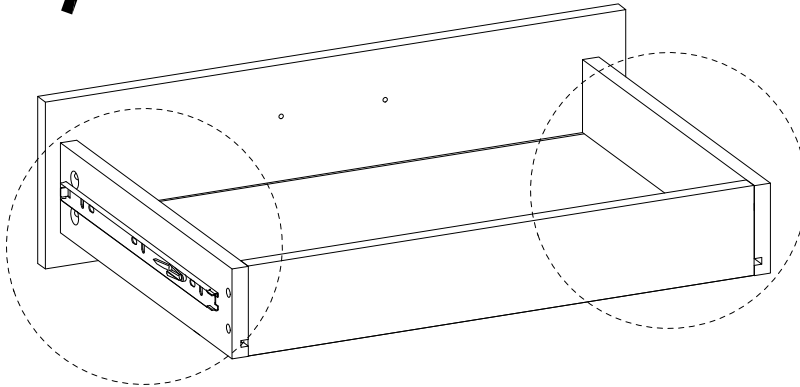
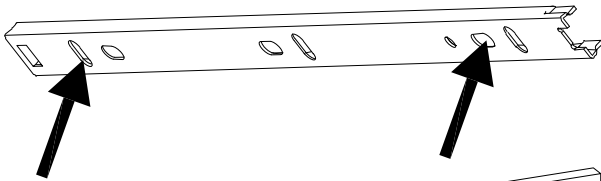


x 2

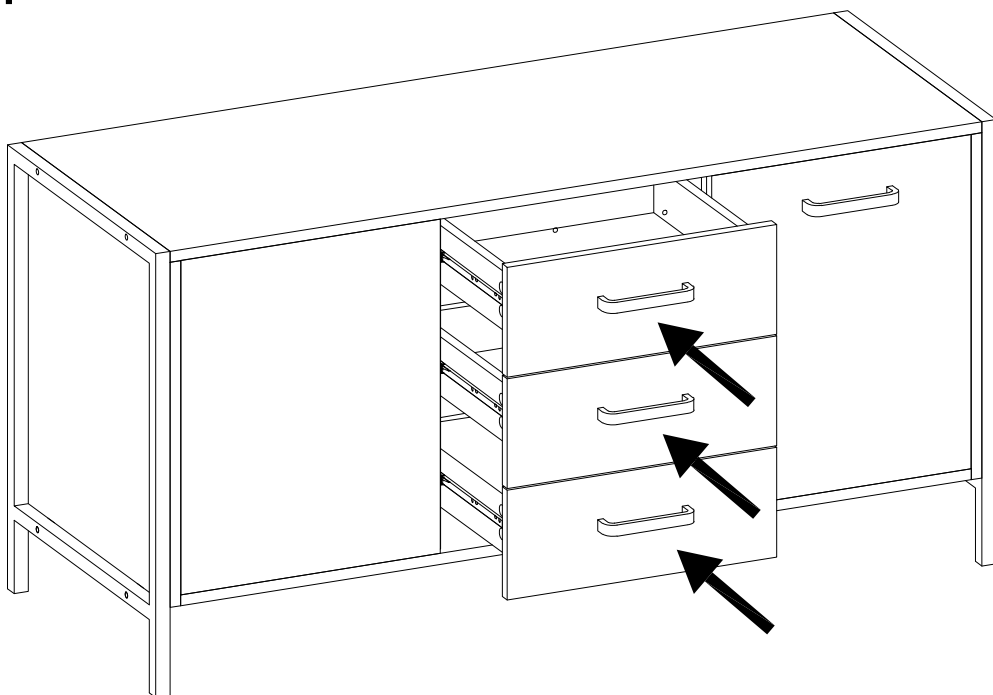
E



x 4



24



25

O



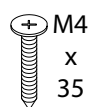
x 1

P



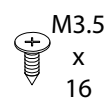
x 1

Q



x 1

R



x 1

