

# BED WITH MATCHING FOOTBOARD

## ASSEMBLY INSTRUCTIONS

Before assembling your bed, please read through these instructions carefully and familiarize yourself with the different parts.

**ATTENTION!** If you receive a damaged or defective item, please contact



### PARTS LIST

- ① HEADBOARD PANEL 1 PC
- ② LEFT LEG 1 PC
- ③ RIGHT LEG 1 PC
- ④ PILLOW STOP 1 PC
- ⑤ WOOD DOWELS (Factory Installed) 8 PCS
- ⑥ FOOTBOARD 1 PC

Instructions apply for bed sizes  
**QUEEN > KING**

### HARDWARE

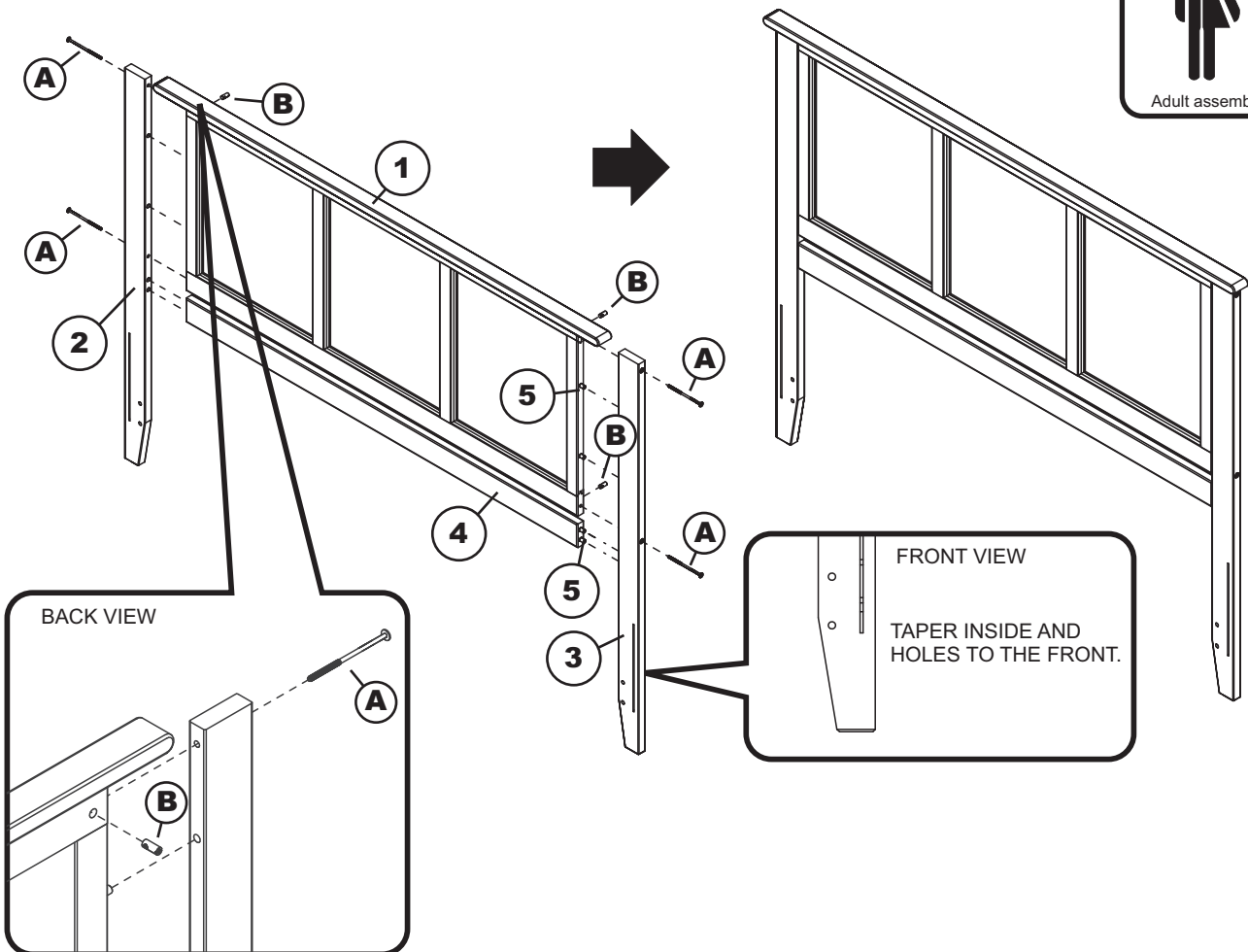
- Ⓐ JCB M6 X 110mm (4 3/8") - 4 pcs  
Spare - 1 pc
- Ⓑ Barrel nut - 4 pcs  
Spare - 1 pc

- Ⓒ Allen wrench - 1pc  
Spare - 1pc

**NOTE: WE INCLUDE SPARE HARDWARE IN CASE DAMAGE OCCURS DURING ASSEMBLY.**

### Step 1

Attach the legs (2) and (3) to headboard panel (1), and pillow stop (4) using JCB (A) and barrel nut (B). Tighten with the Allen wrench (C).



## Congratulations!

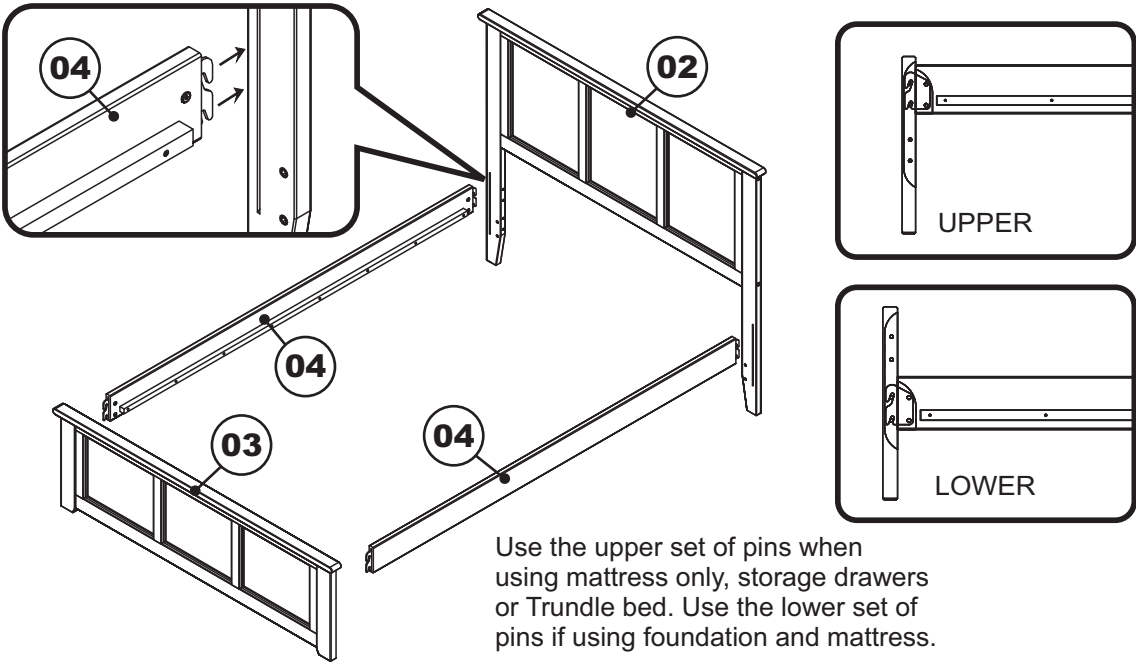
Your headboard is now assembled.

To ensure lasting safety, we recommend that you periodically check that all screws are tight and all parts are secure.

- 01 HARDWARE
  - 02 HEADBOARD
  - 03 FOOTBOARD
  - 04 SIDE RAILS
- BOX 1
- BOX 2



**Step 1** Attach the side rails (04) to the headboard (02) and footboard (03) using the bed hook as shown below.



# FOUNDATION SUPPORT BOARDS

## ASSEMBLY INSTRUCTIONS QUEEN > KING

Before assembling your support boards, please read through these instructions carefully and familiarize yourself with the different parts.

Please note that you will require a Phillips screwdriver.

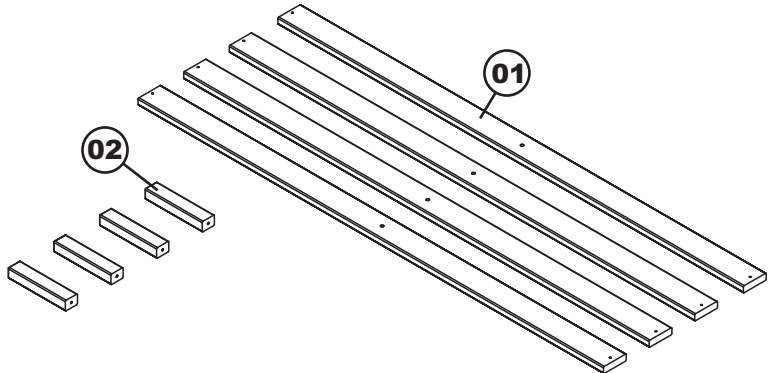
**ATTENTION!** If you receive a damaged or defective item, please contact



### PARTS LIST

**01 SUPPORT BOARDS 4 PCS**

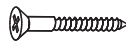
**02 CENTER LEG 4 PCS**



### HARDWARE



**A** 1 1/2" Allen screw - 4 pcs  
Spare - 1 pc



**B** 1 1/4" Wood screw - 8 pcs  
Spare - 1 pc



**C** Allen wrench - 1 pc  
Spare - 1 pc

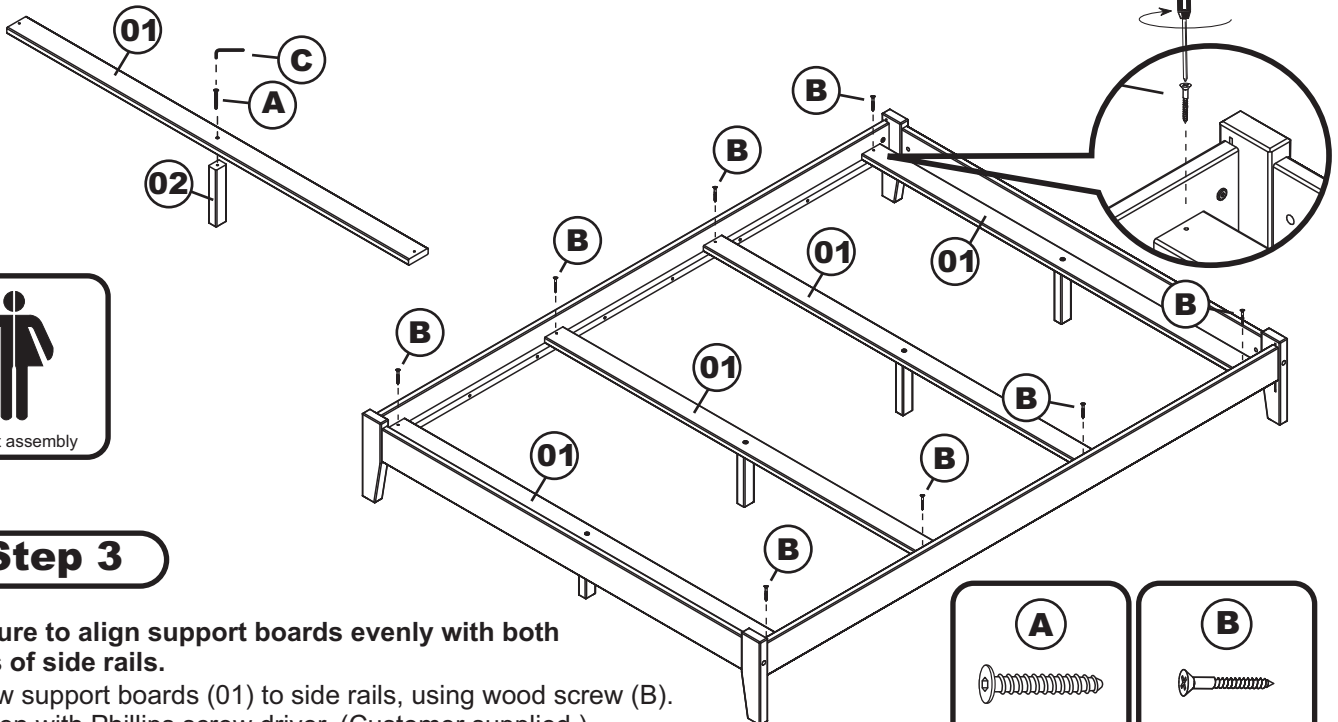
NOTE: WE INCLUDE SPARE HARDWARE IN CASE DAMAGE OCCURS DURING ASSEMBLY.

### Step 1

Assemble bed frame according to assembly instructions.

### Step 2

Assemble center leg (02) and support boards (01). Using allen screw (A). Tighten with the Allen wrench (C). Repeat for other center legs.



Adult assembly

### Step 3

Be sure to align support boards evenly with both ends of side rails.

Screw support boards (01) to side rails, using wood screw (B). Tighten with Phillips screw driver. (Customer supplied )

Be sure the space between support boards is even.

