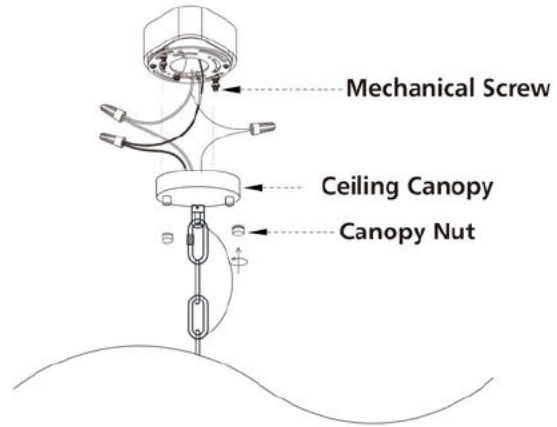


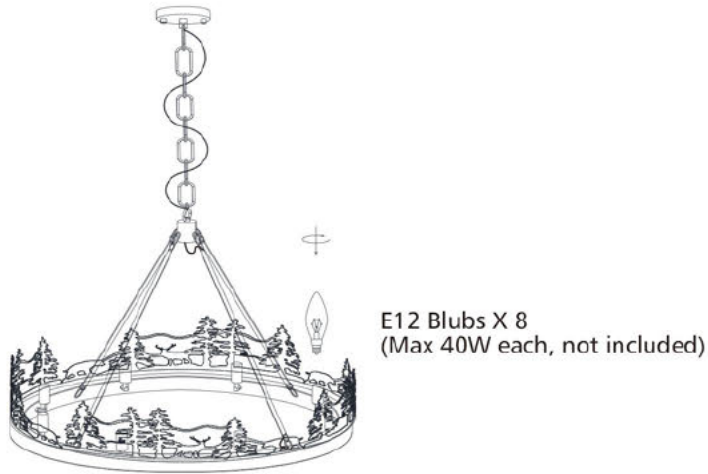
# INSTALLATION MANUAL CHANDELIER

## 9. Fix the ceiling canopy to the mounting bracket with the nut



Step 1: Align ceiling canopy holes with the mechanical screw and secure with the canopy nut.

## 10. Install Bulbs



Step 2: Note: This lamp uses E12 bulb base and can only be used in conjunction with LED bulbs up to 40W. Fully dimmable when used with dimmable bulbs and compatible dimming switches(not included).

### TOOLS REQUIRED



Ladder



Pliers



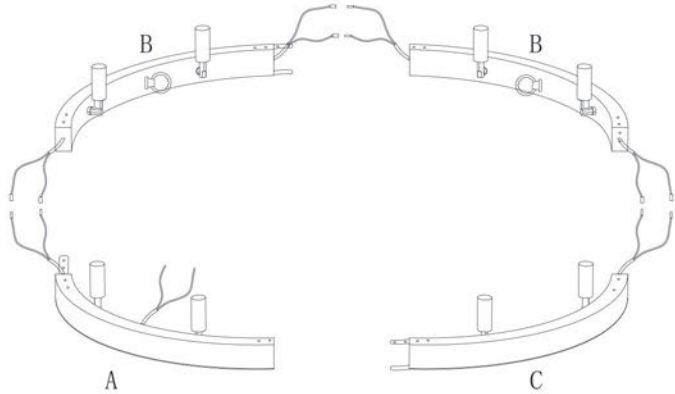
Wire Strippers



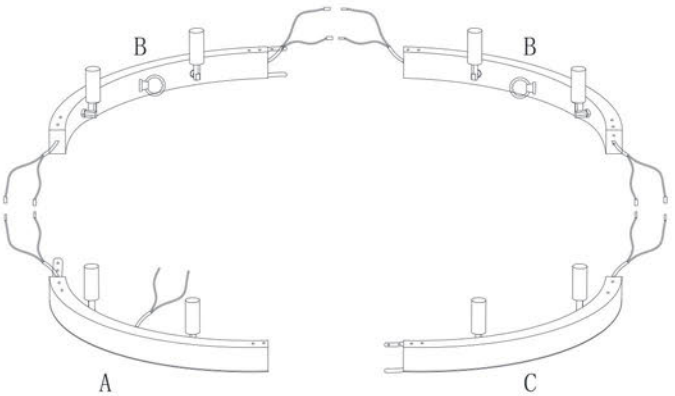
Screwdrivers

# INSTALLATION

## 1. Install Fixture Body

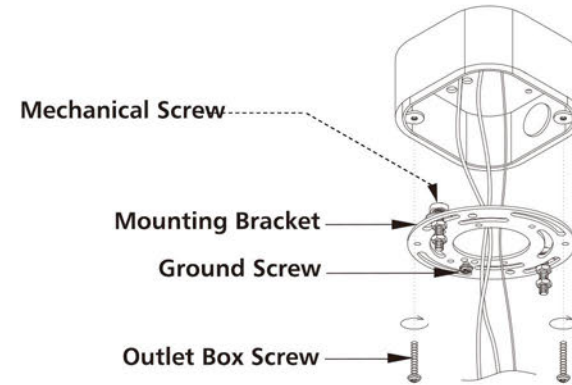


**Step 1:** Arrange the square pipes into circles in order A-B-B-C.



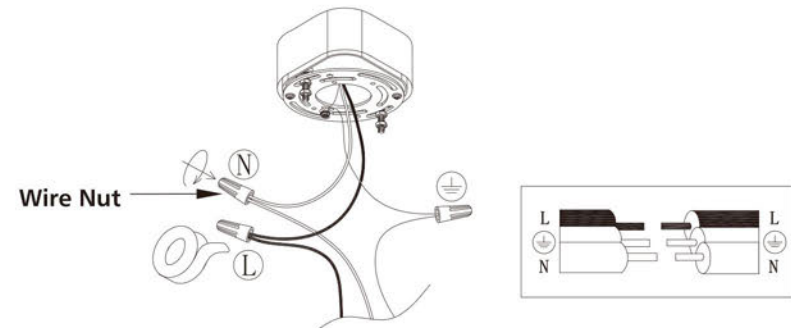
**Step 2:** The black line connects the black line, and the white line connects the white line.

## 7. Install Mounting Bracket



**Step 1:** Take off the screws from outlet box, secure the mounting bracket onto the box with screws taken off or outlet box screw.

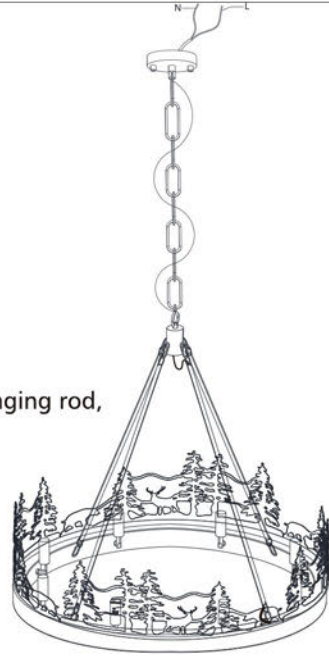
## 8. Connect the Wires



**Step 1:** Connect the wires from the fixture to the house supply wires nuts, ground wire (green, green/yellow, or bare) to ground wire, neutral wire (white) to neutral wire, and hot wire (black) to hot wire. Wrap the connection with electrical tape.

**Step 2:** Spread apart the wires so that the hot wires are on one side of the outlet box and the neutral wires are on the other side.

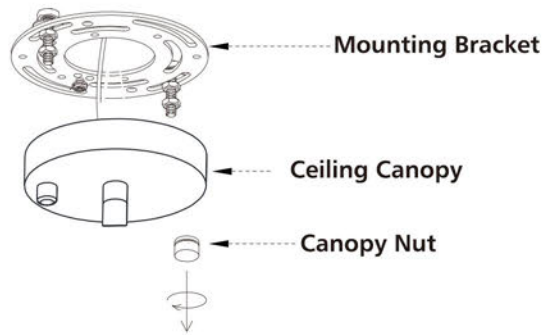
## 5. Pass the Wire



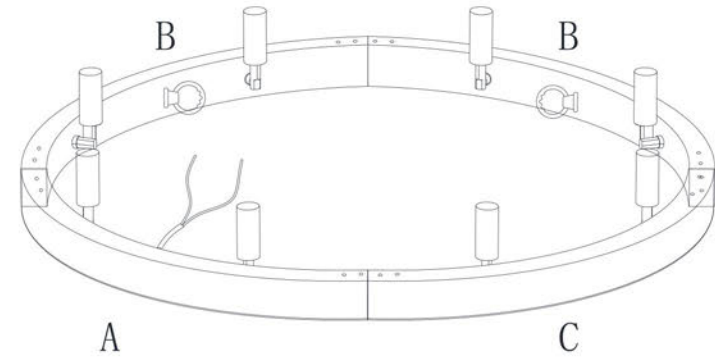
**Step 1:** Pass the wires of lamp body through hanging rod, connector and canopy.

**NOTE:** Don't make the wires too tight.

## 6. Remove the Mounting Bracket

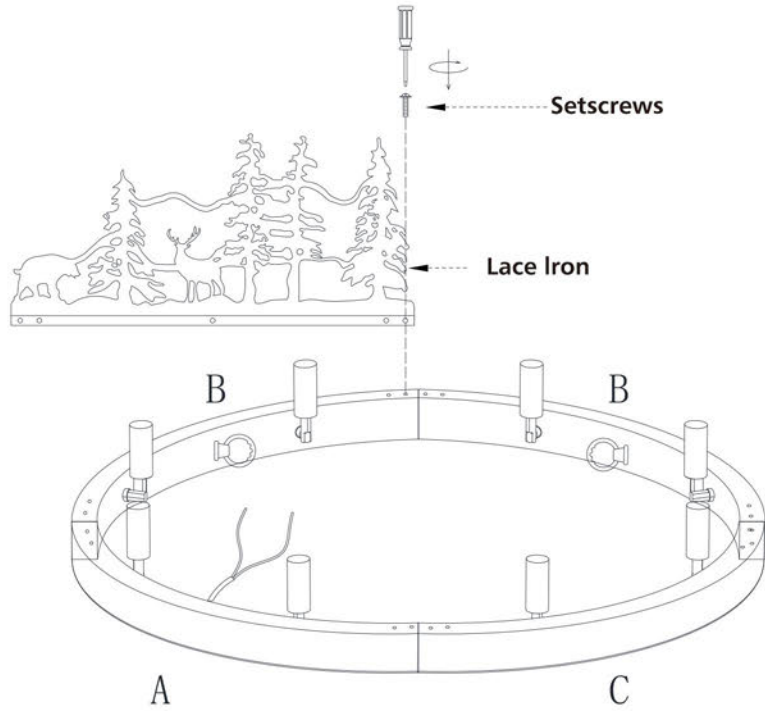


**Step 1:** Loosen and remove the canopy nut from the round holes, then take out the mounting bracket from the ceiling canopy.



**Step 3:** Connect the square pipes A-B-B-C in sequence.

## 2. Install Lace Iron



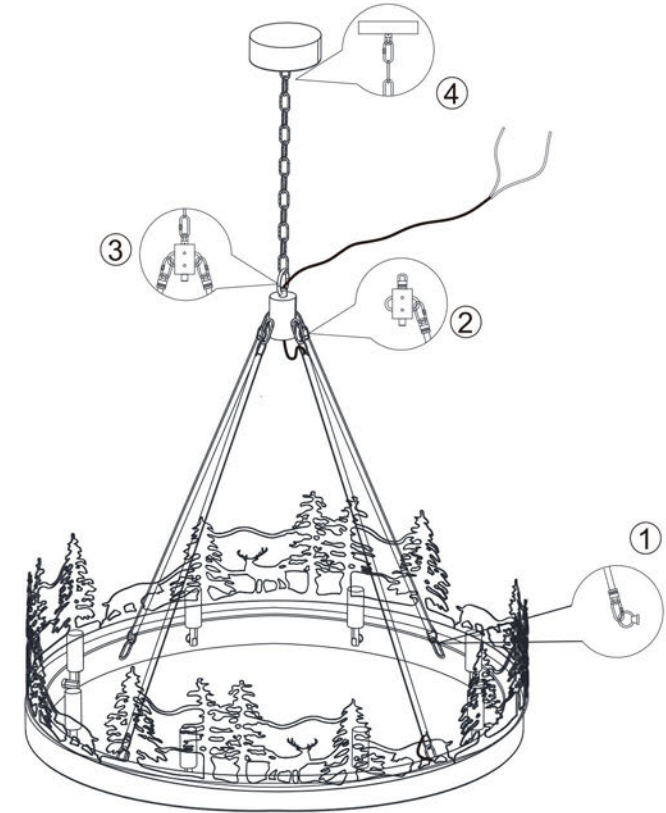
**Step 1:** In the direction of A-B-B-C, fasten the four lace irons to the lamp body using setscrews in sequence.

## 3. Install Hanging Rod



**Step 1:** Tighten hanging rod A and hanging rod B.

## 4. Install Lamp Body



- Step 1:** Connect the square pipes to the hanging rod using the quick link.
- Step 2:** Connect the connector to the hanging rod using the quick link.
- Step 3:** Connect the chain to the fixture loop on the connector using the quick link.
- Step 4:** Connect the chain to the canopy loop on the canopy using the quick link.