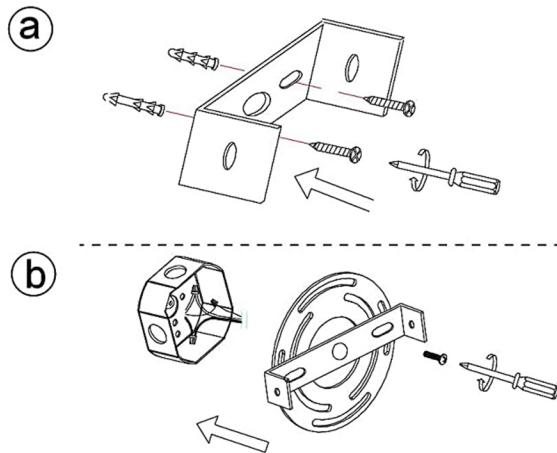
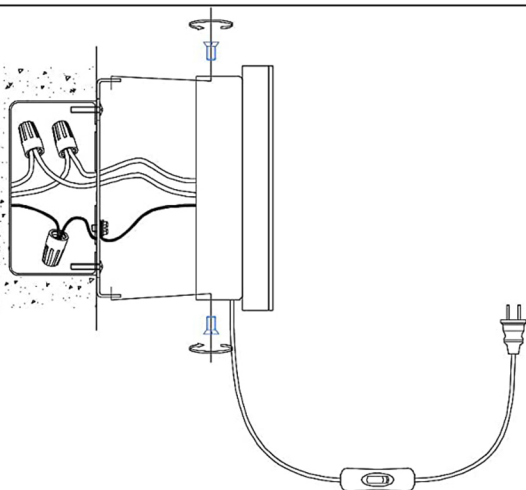


① Unscrew screws on lamp

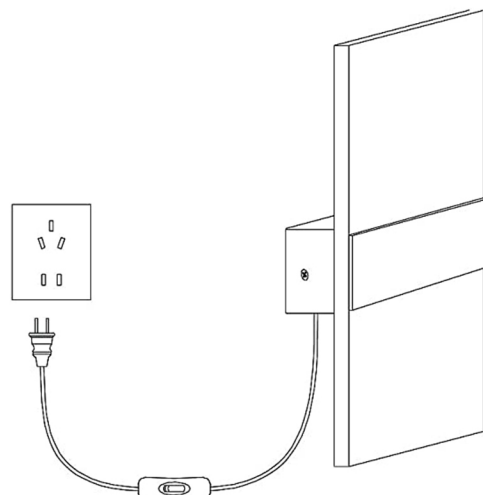
## Two-Way Setup



② Fasten mounting angle on the wall or the J-box



③ Connect the wires to your home circuit



④ Install the screws and the light