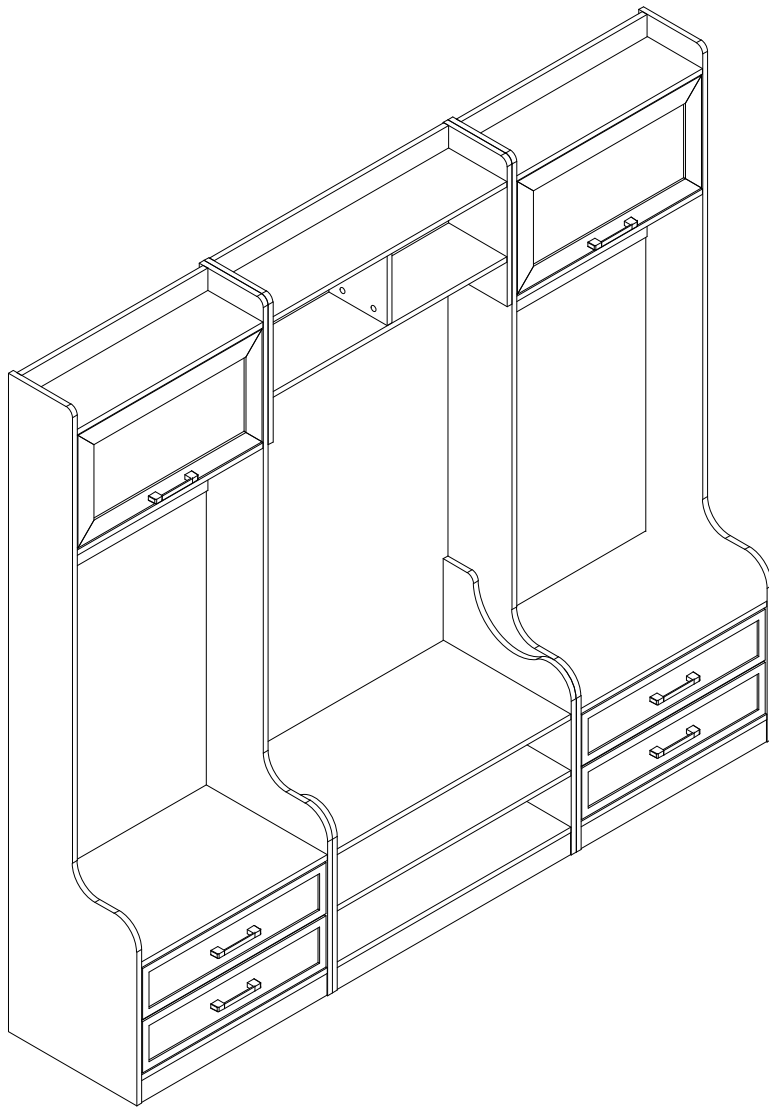
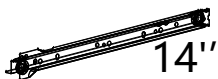


Assembly Instructions



×4

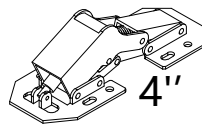


14"

(N)

350*27mm

×4

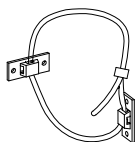


4"

(P)

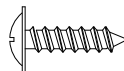
113*42mm

×2



(Q)

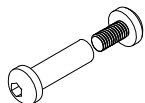
×42



(R)

Ø3.5*12mm

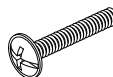
×4



(T)

13*Ø8*25mm

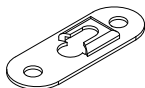
×8



(S)

M4*16mm

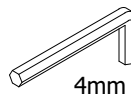
×2



(V)

L42*W16*1.5mm

×2



4mm

(W)

4mm*24*70

×48

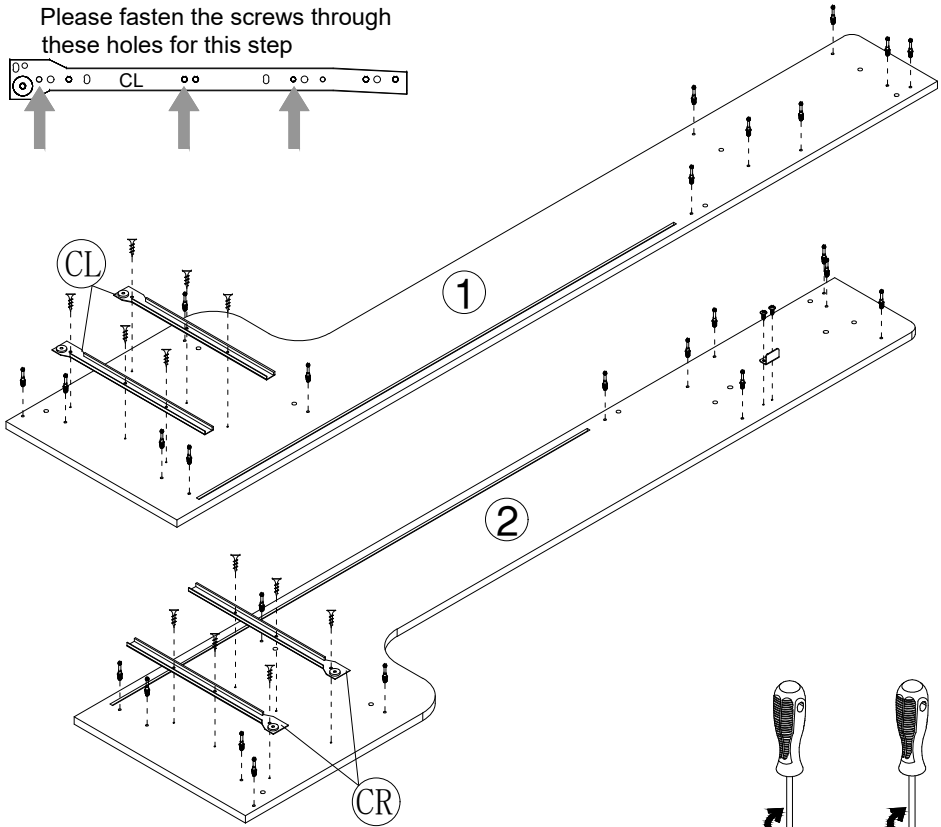
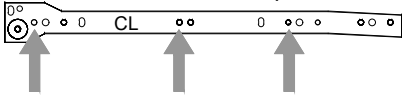


(U)

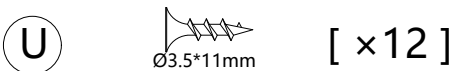
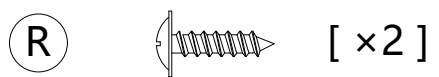
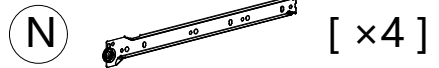
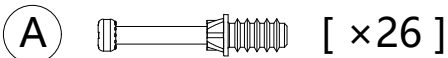
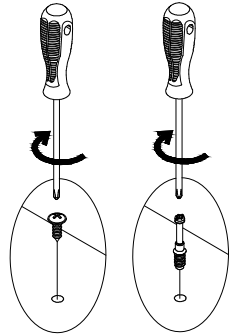
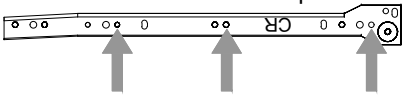
Ø3.5*11mm

1

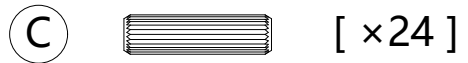
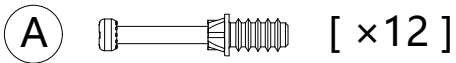
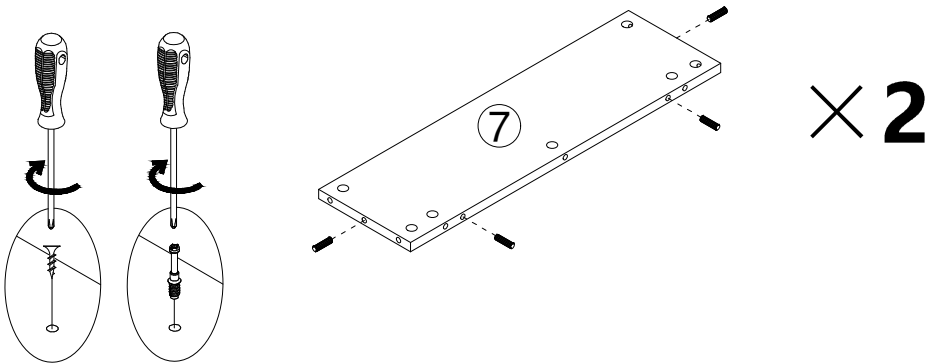
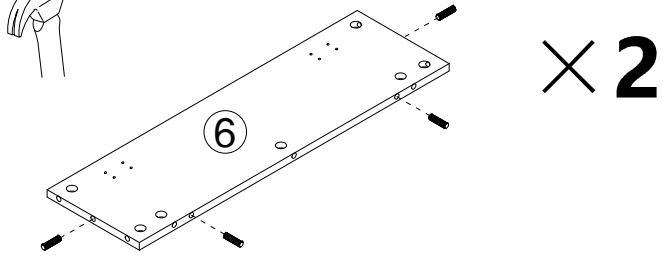
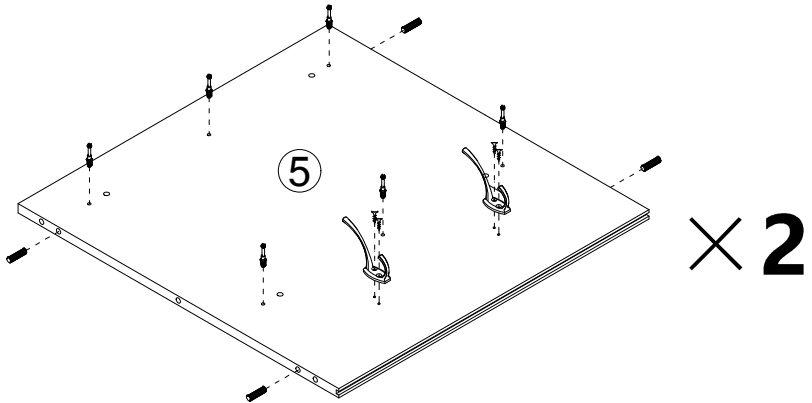
Please fasten the screws through these holes for this step

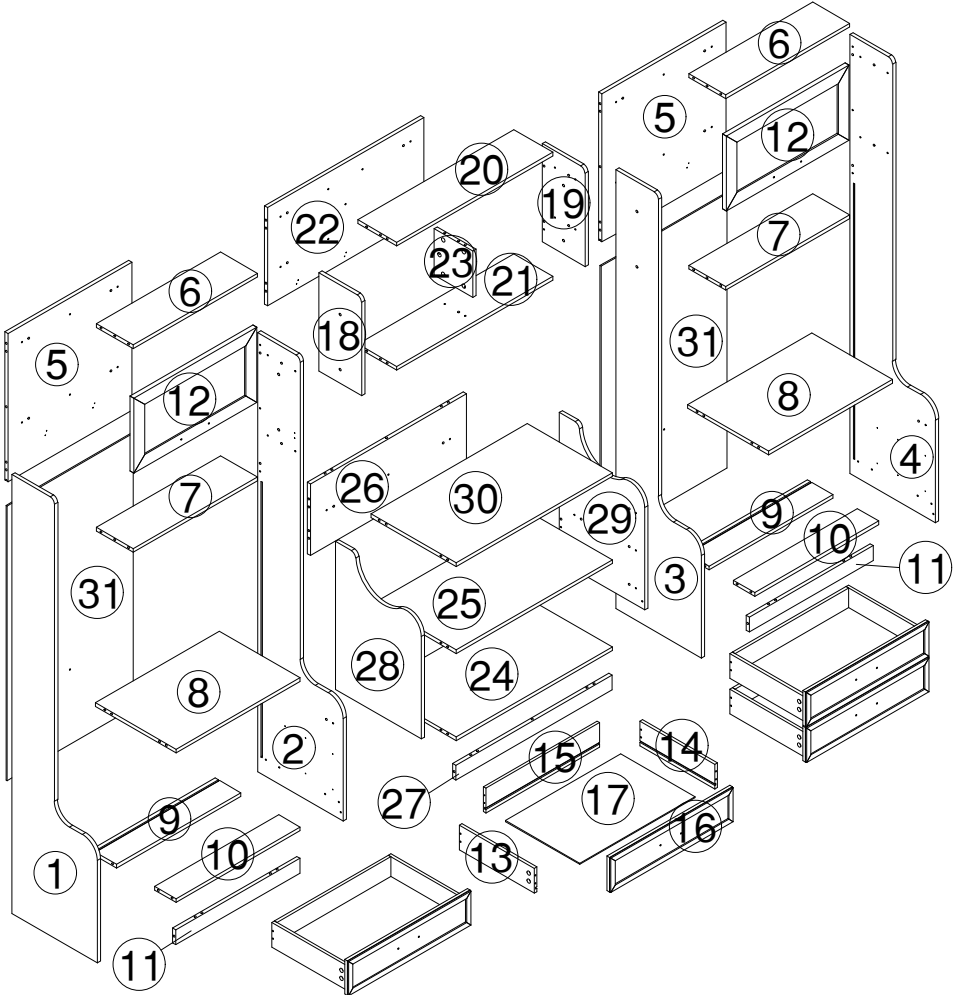


Please fasten the screws through these holes for this step

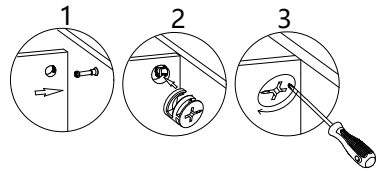
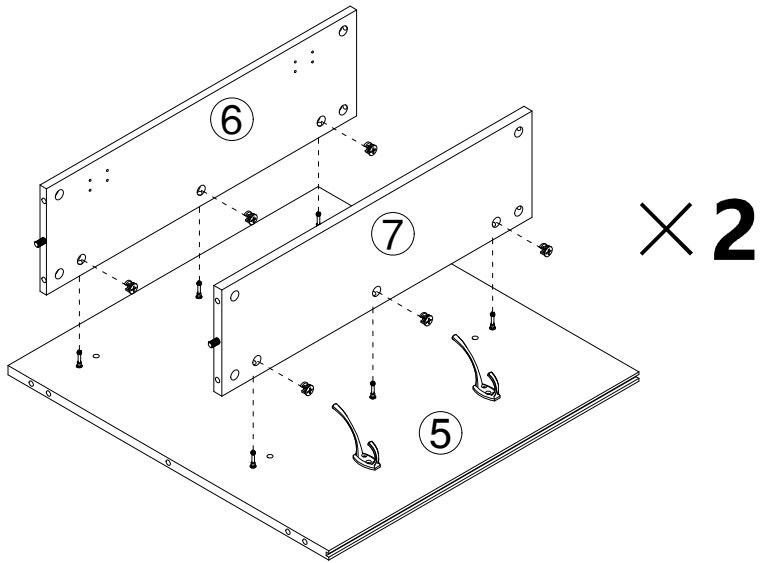


2





3

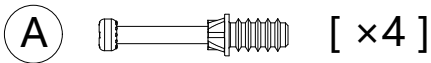
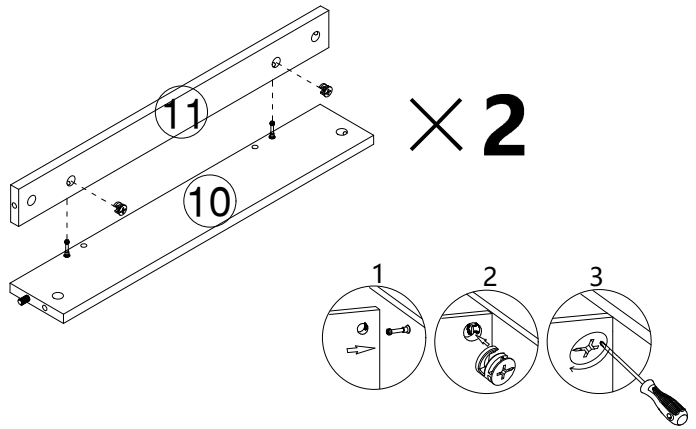
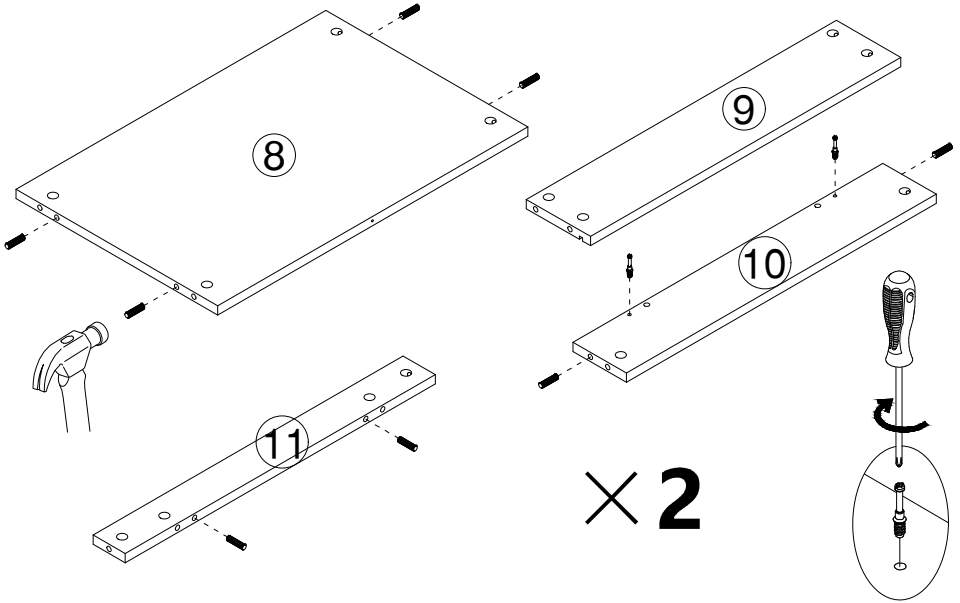


B

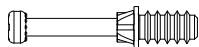


[$\times 12$]

4



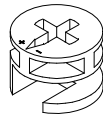
x139



(A)

34mm

x123



(B)

Ø15*12mm

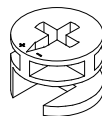
x76



(C)

Ø8*30mm

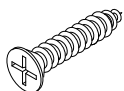
x16



(D)

Ø15*10mm

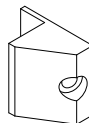
x8



(E)

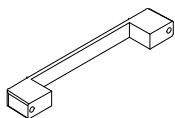
Ø3*18mm

x8



(F)

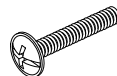
x6



(G)

孔距128mm

x4



(H)

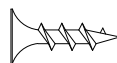
M4*22mm

x7



(J)

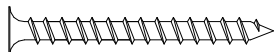
x14



(K)

Ø4*15mm

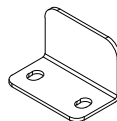
x16



(L)

Ø5*38mm

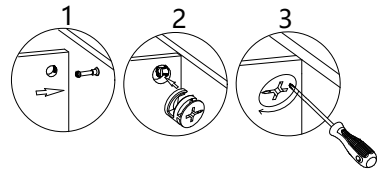
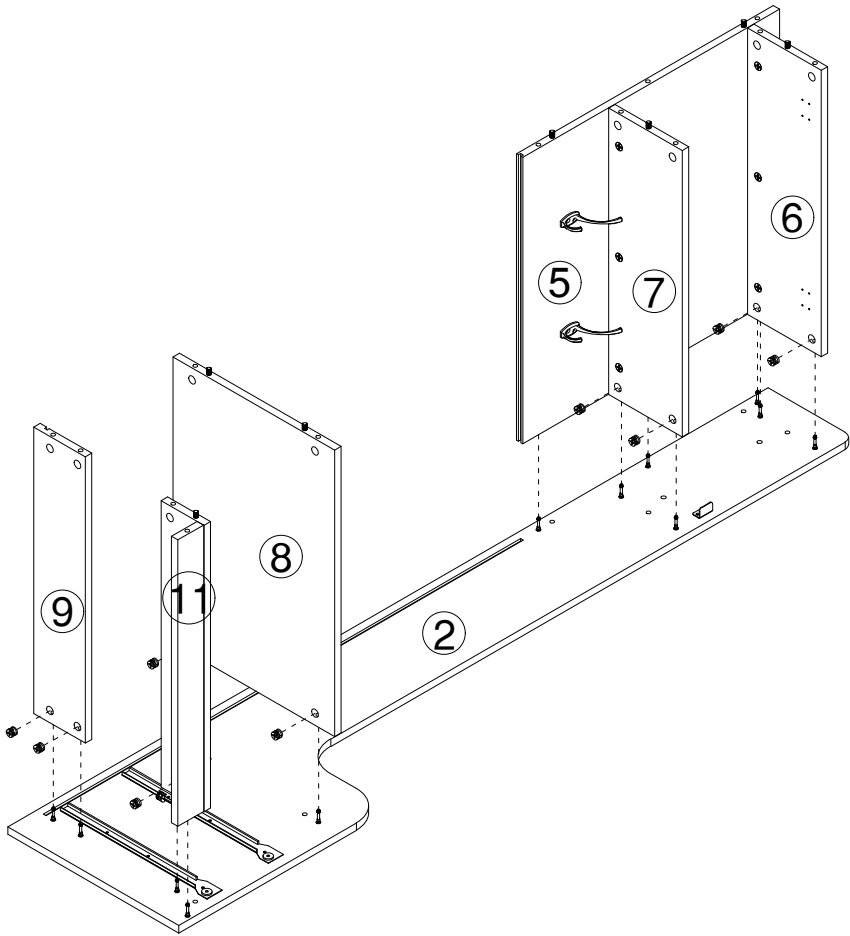
x2



(M)

30*17*17mm

5

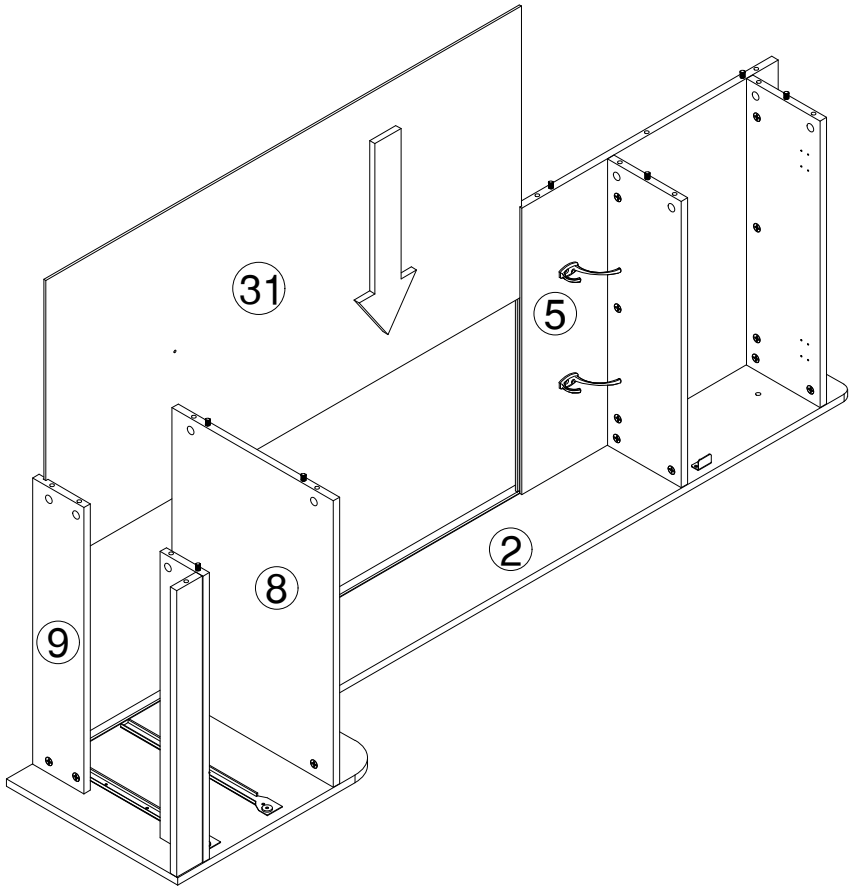


B

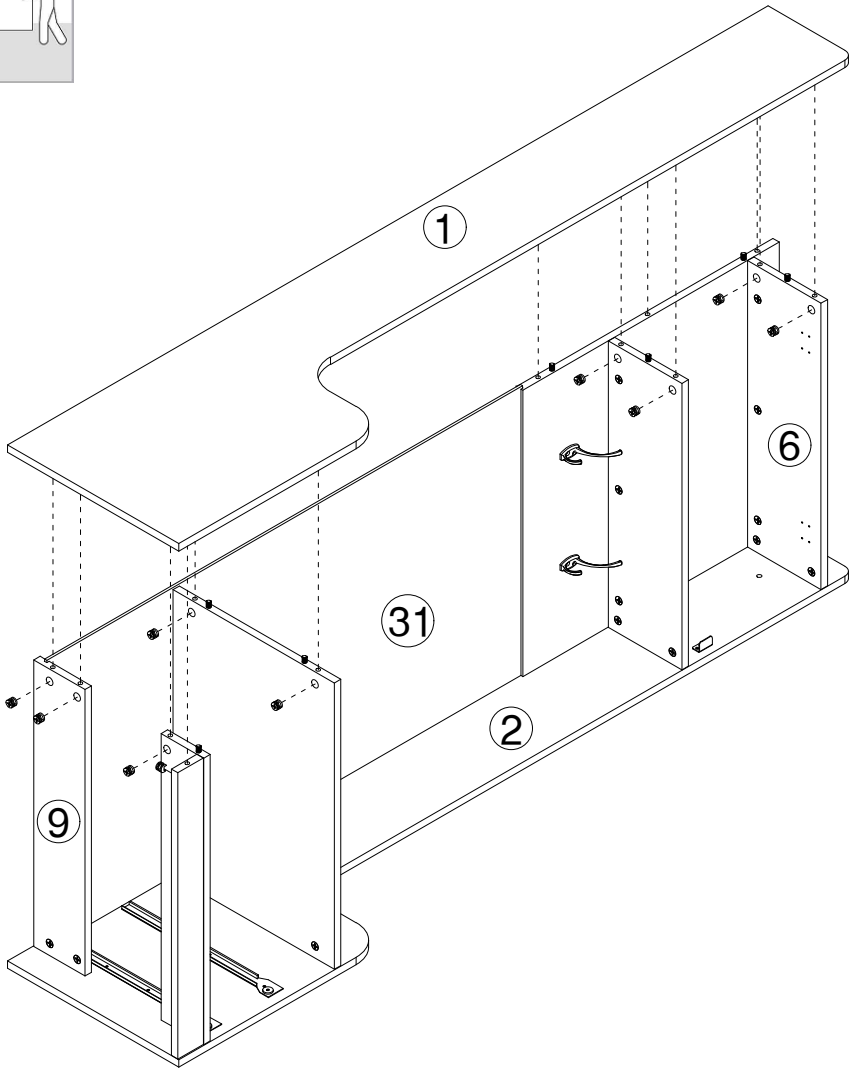


[×10]

6



7

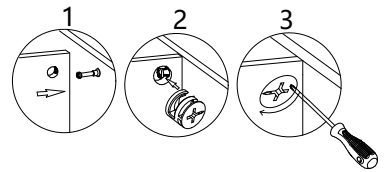
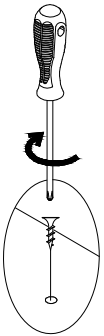
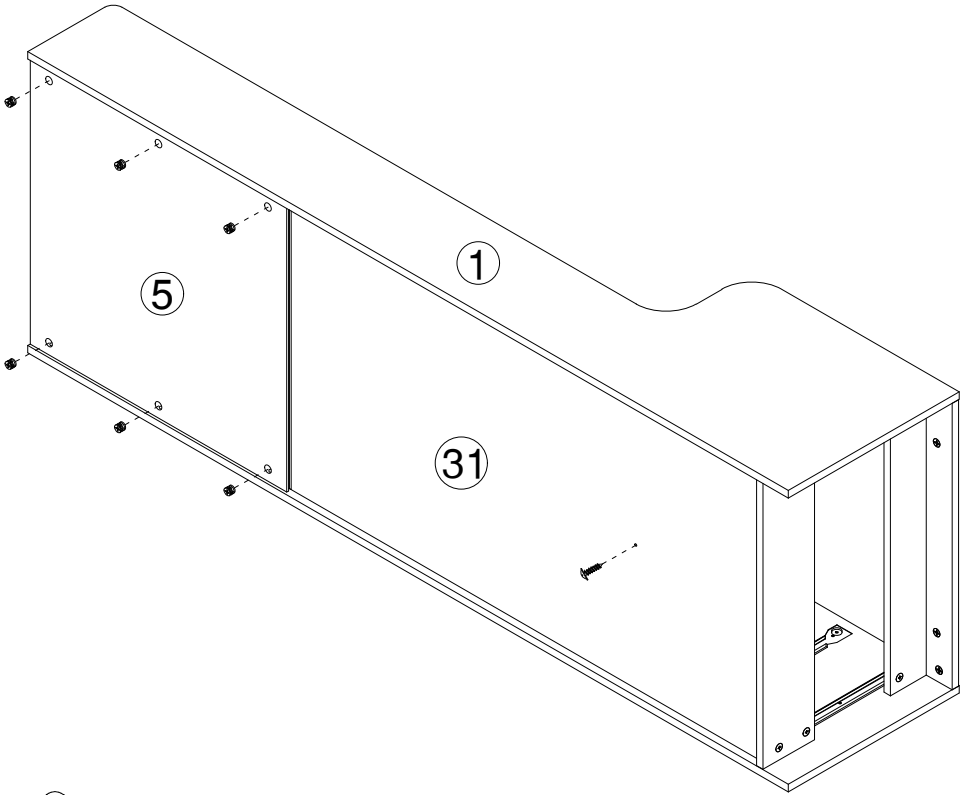


B



[×10]

8

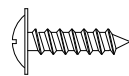


(B)



[×6]

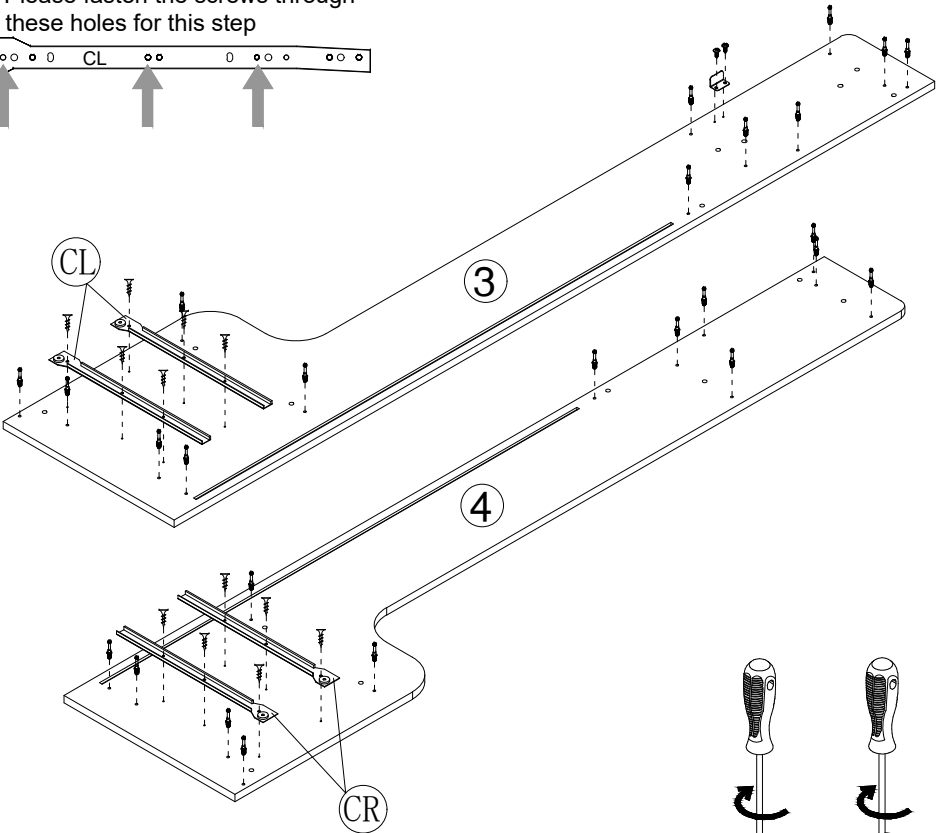
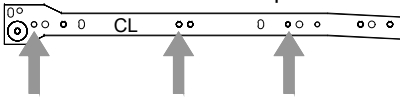
(R)



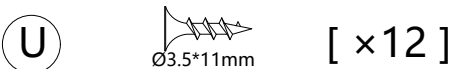
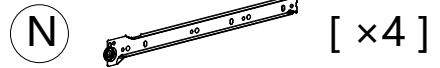
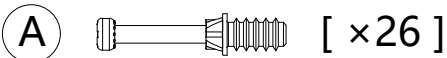
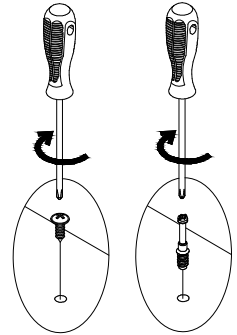
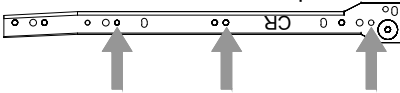
[×1]

9

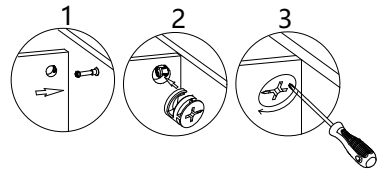
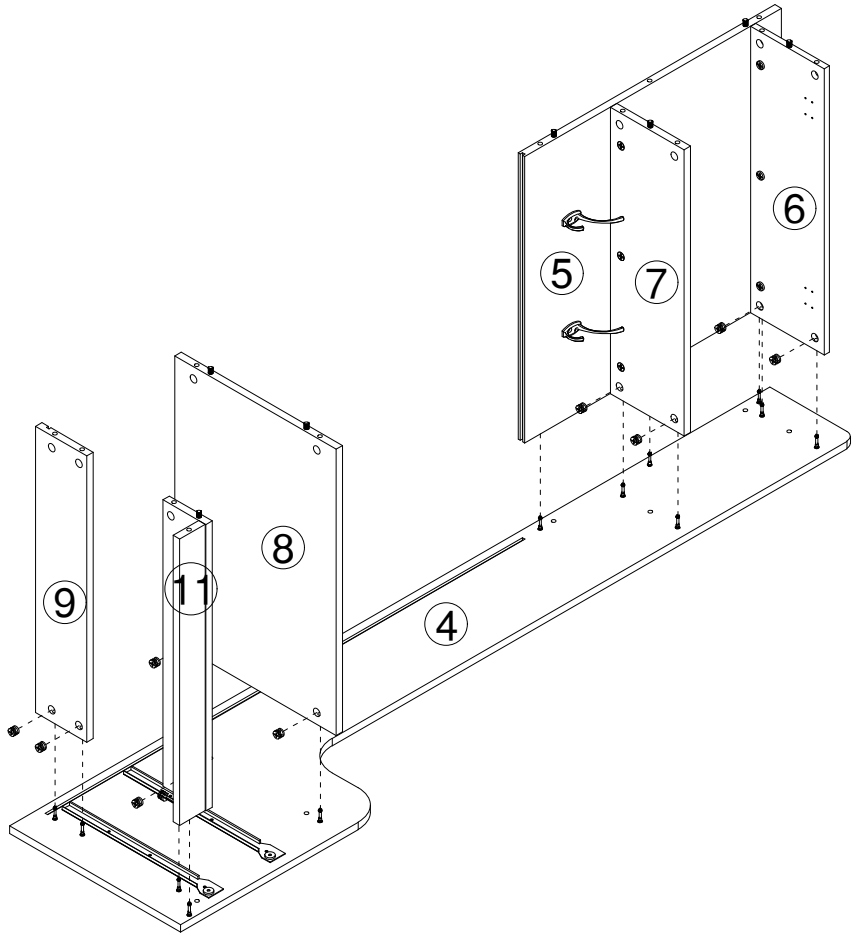
Please fasten the screws through these holes for this step



Please fasten the screws through these holes for this step



10

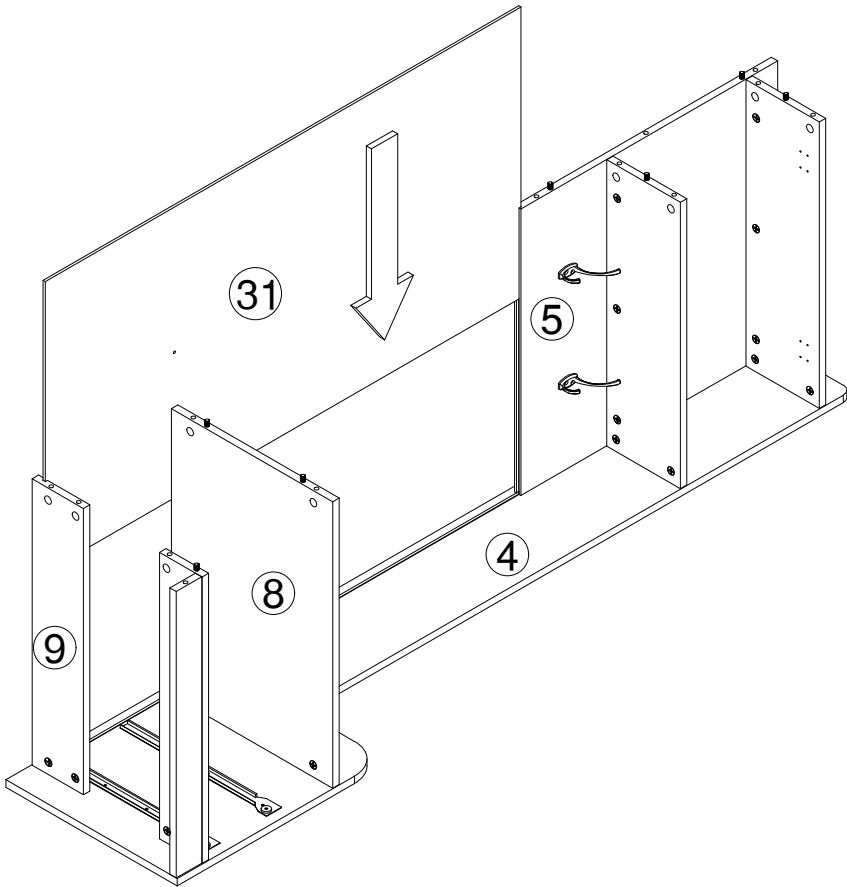


B



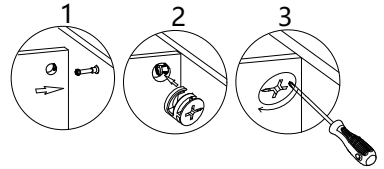
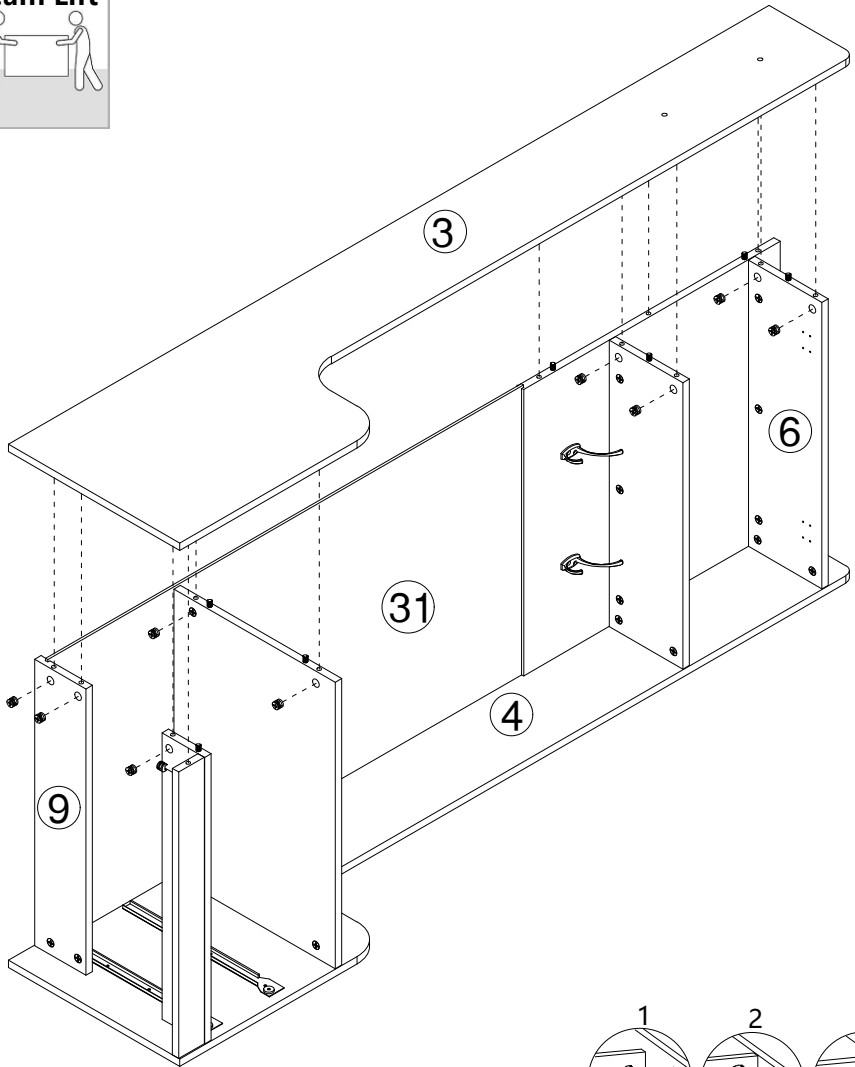
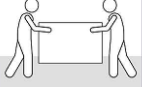
[×10]

11



12

Team Lift

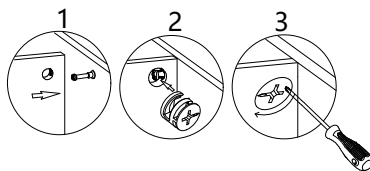
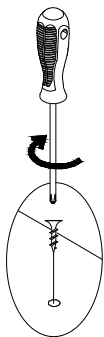
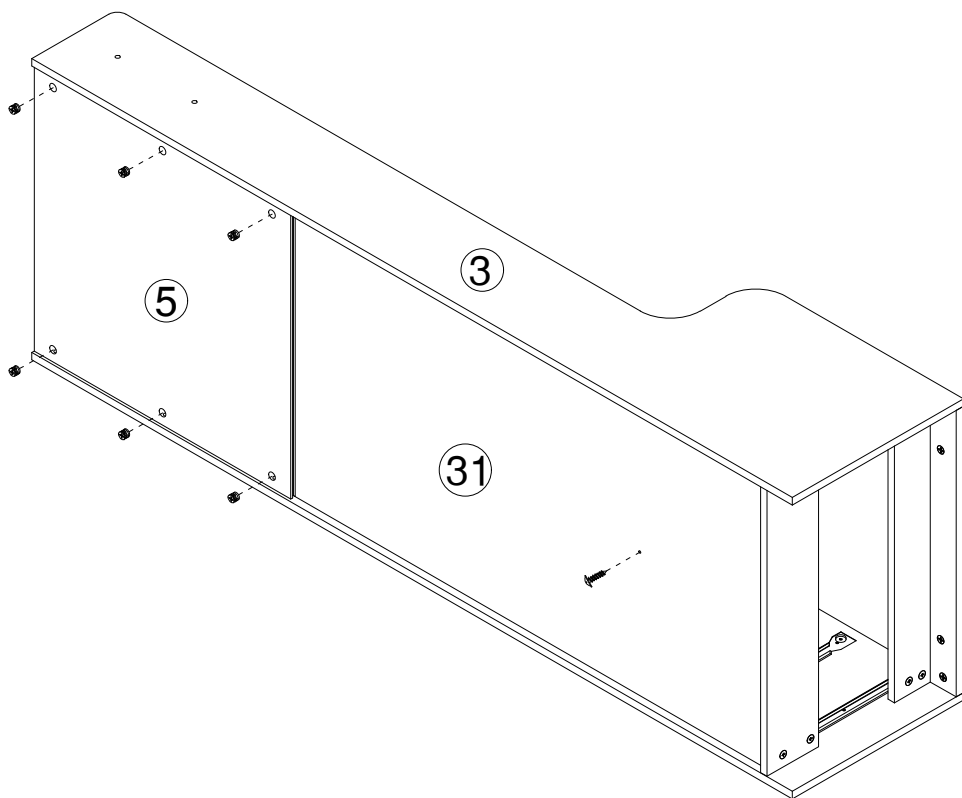


B



[×10]

13

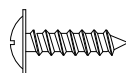


B



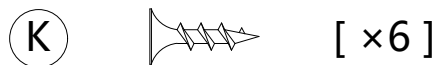
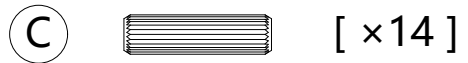
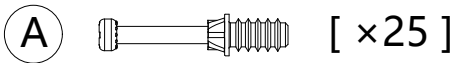
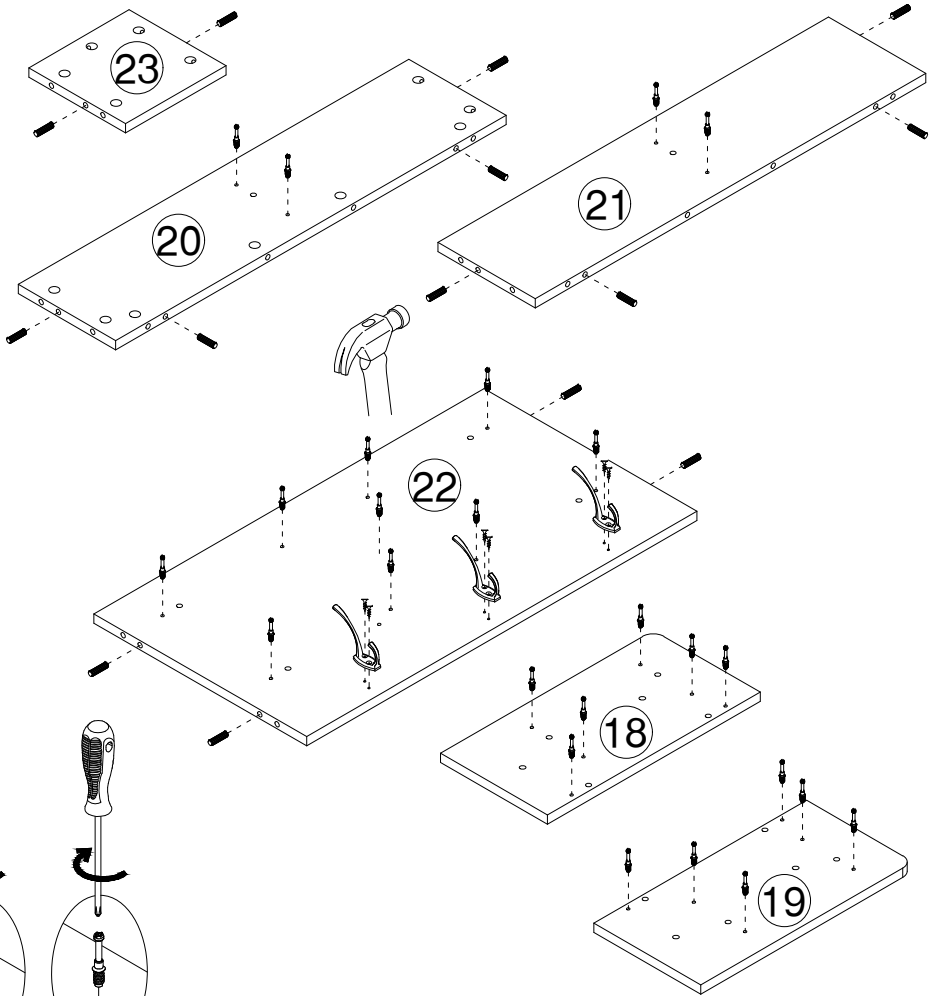
[×6]

R

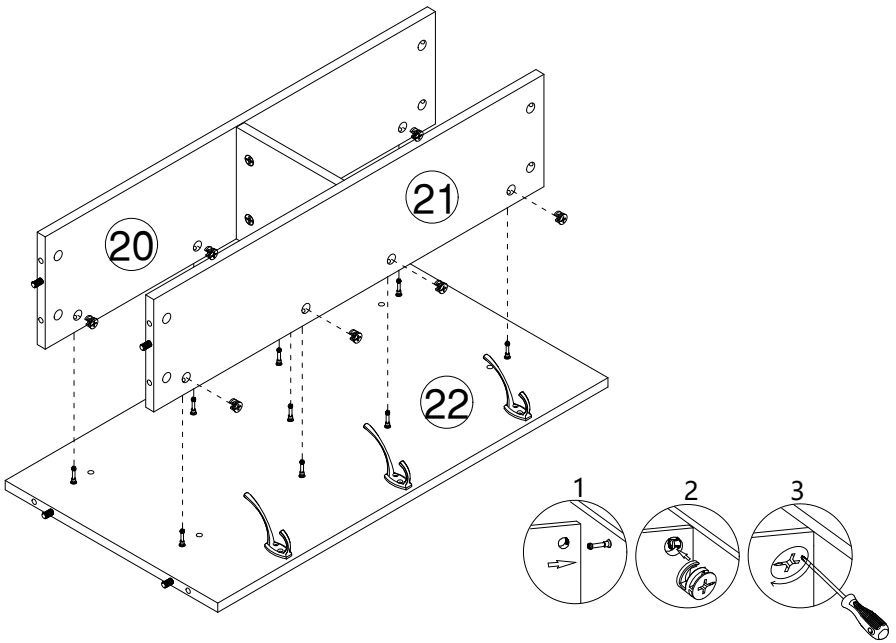
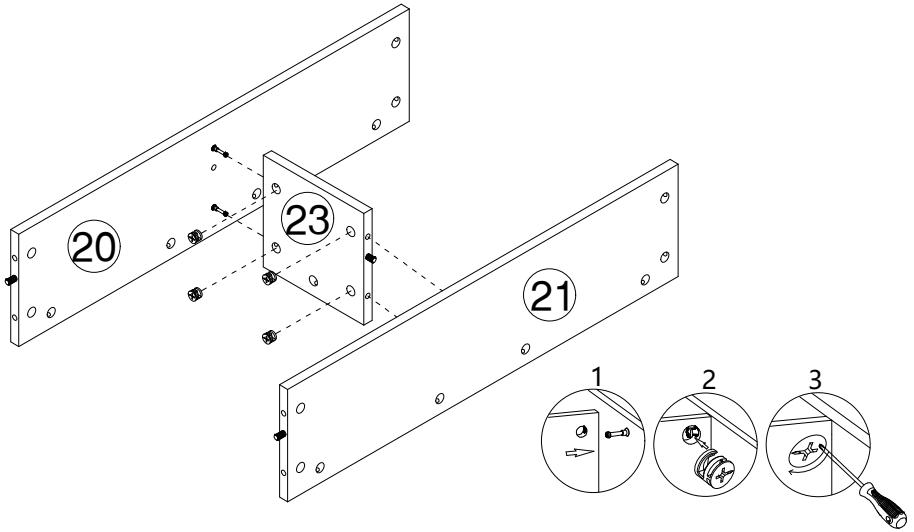


[×1]

14



15

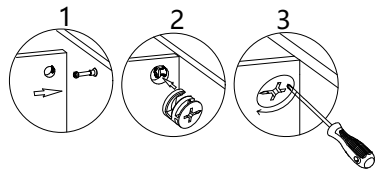
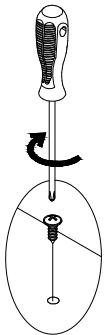
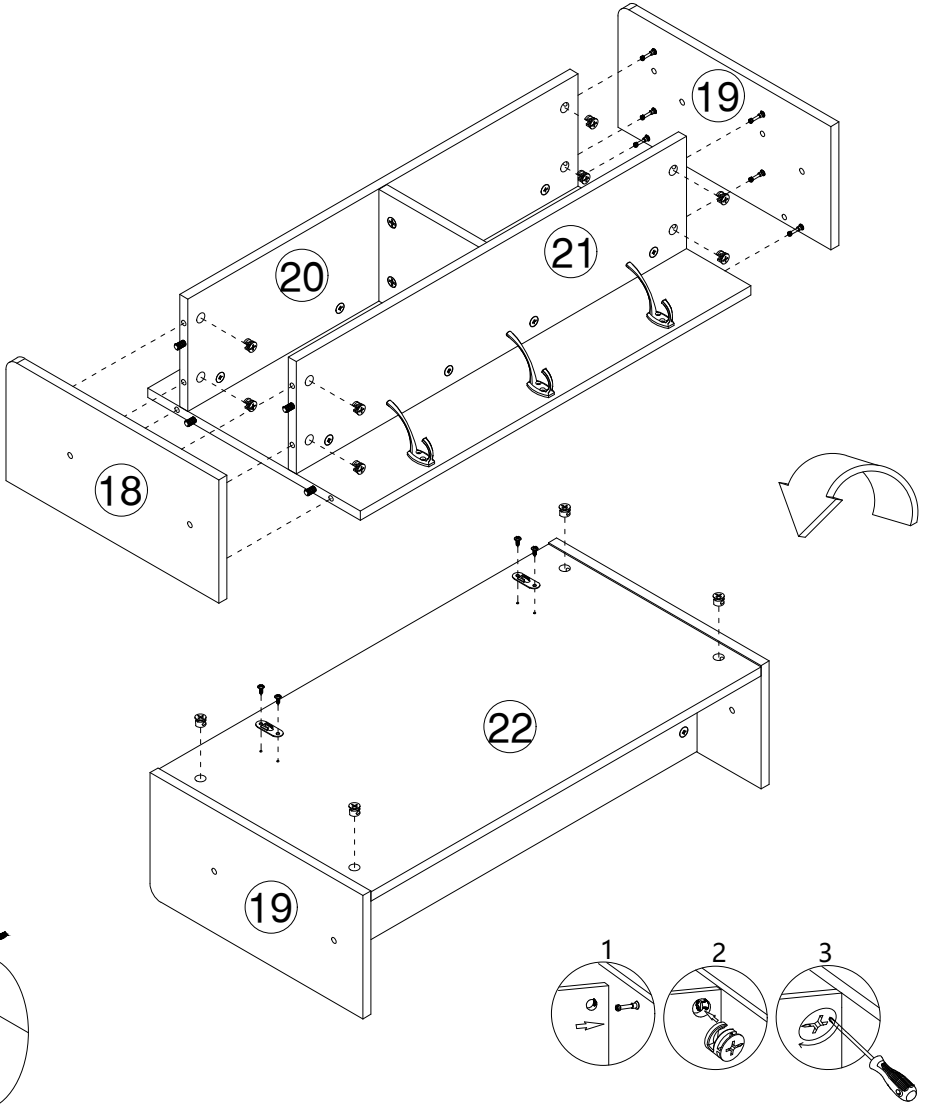


B



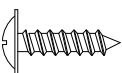
[×13]

16

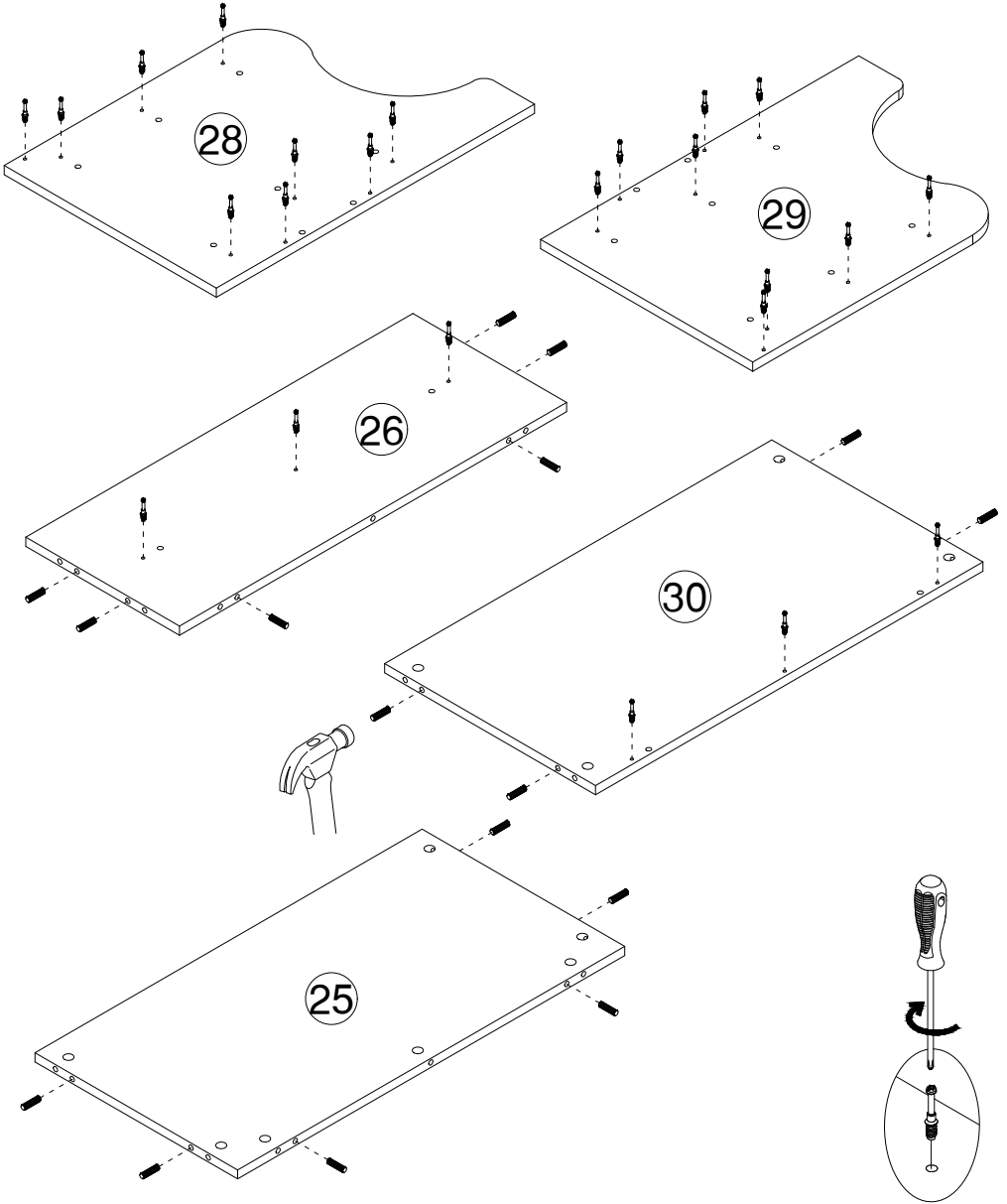


B  [x12]

V  [x2]

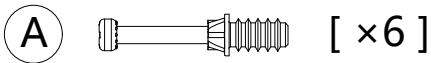
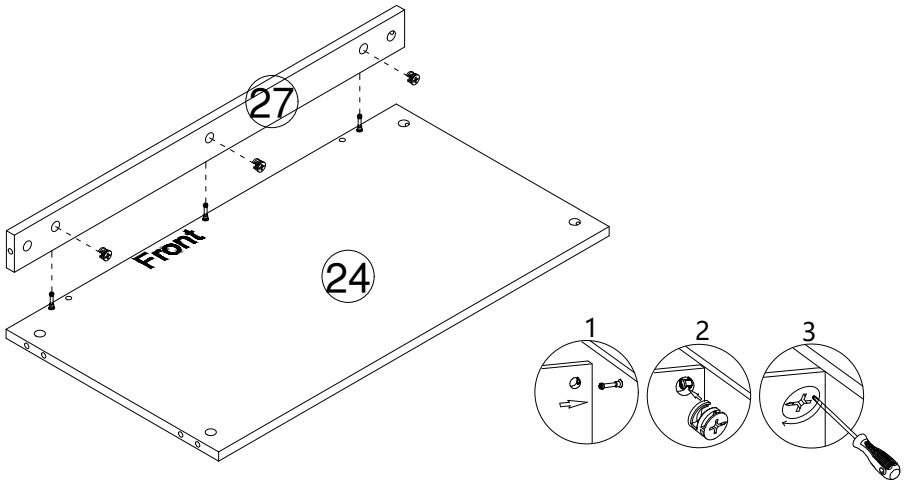
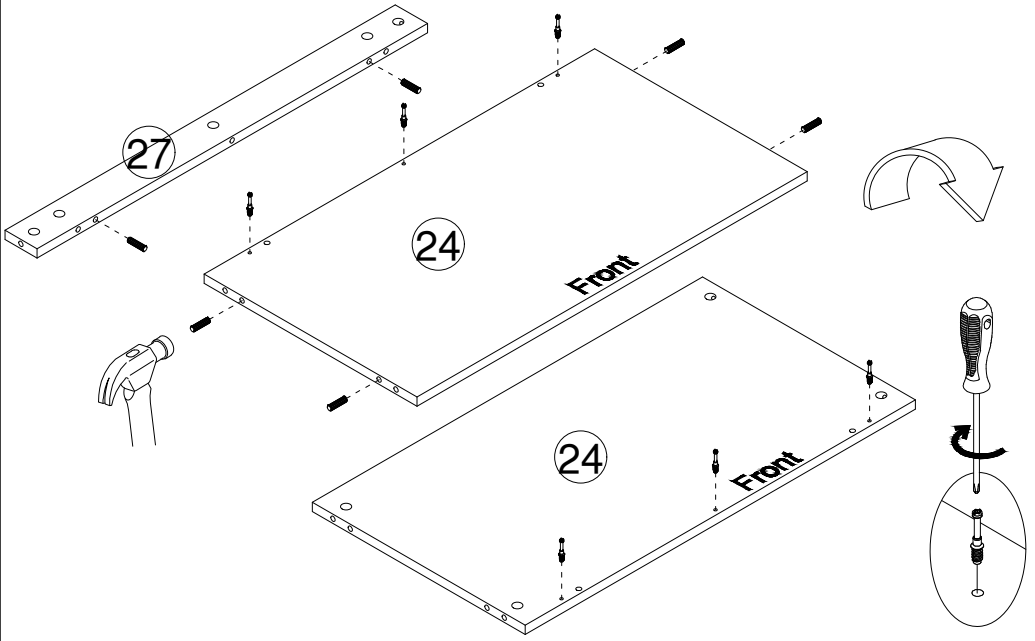
S  [x4]

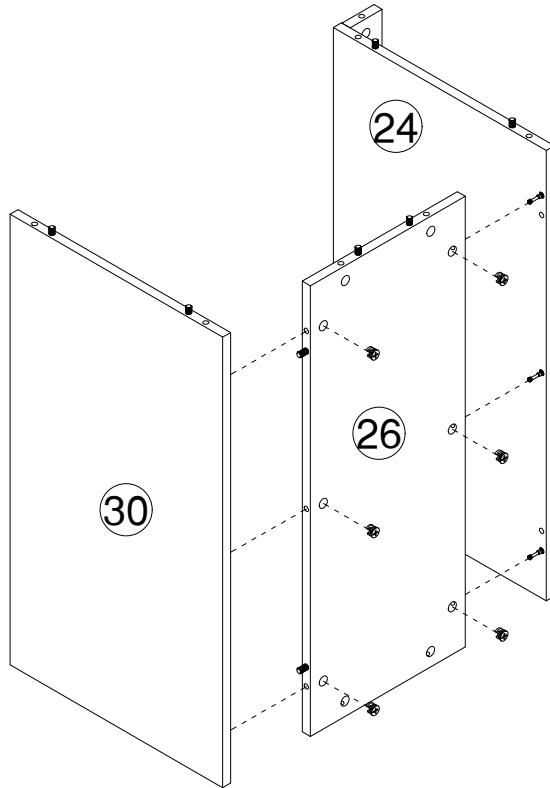
17



- A**  [×24] **C**  [×16]

18



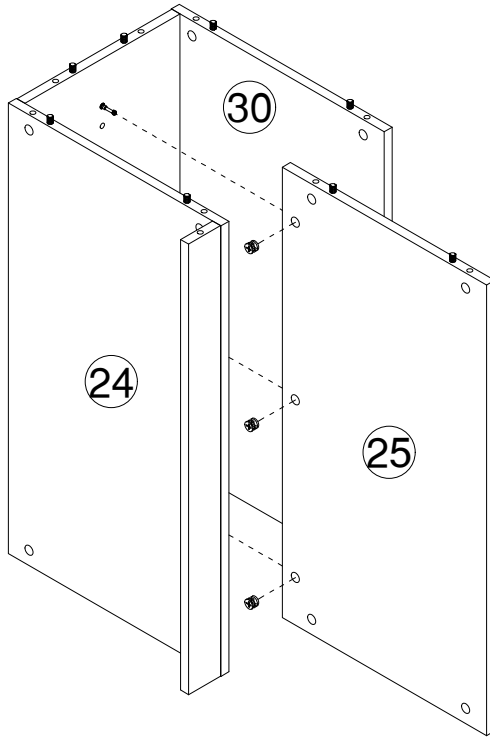


C



[×6]

20

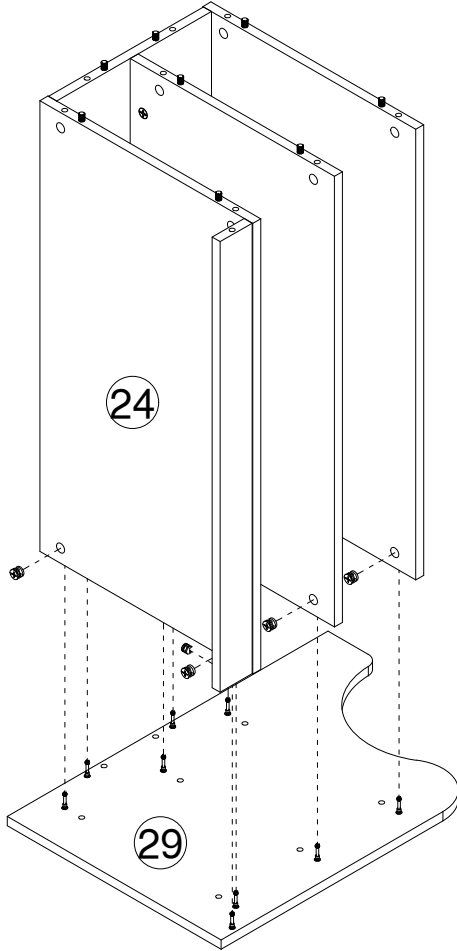


C



[×3]

21

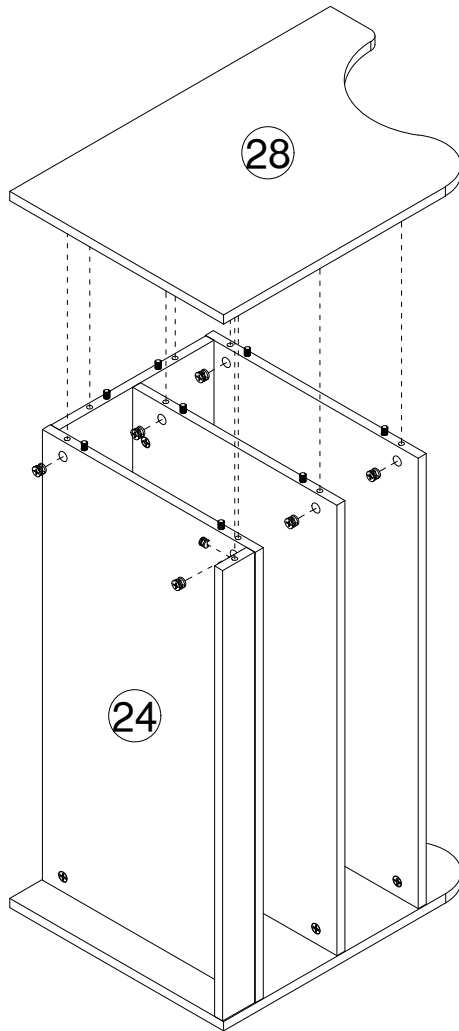


C



[x9]

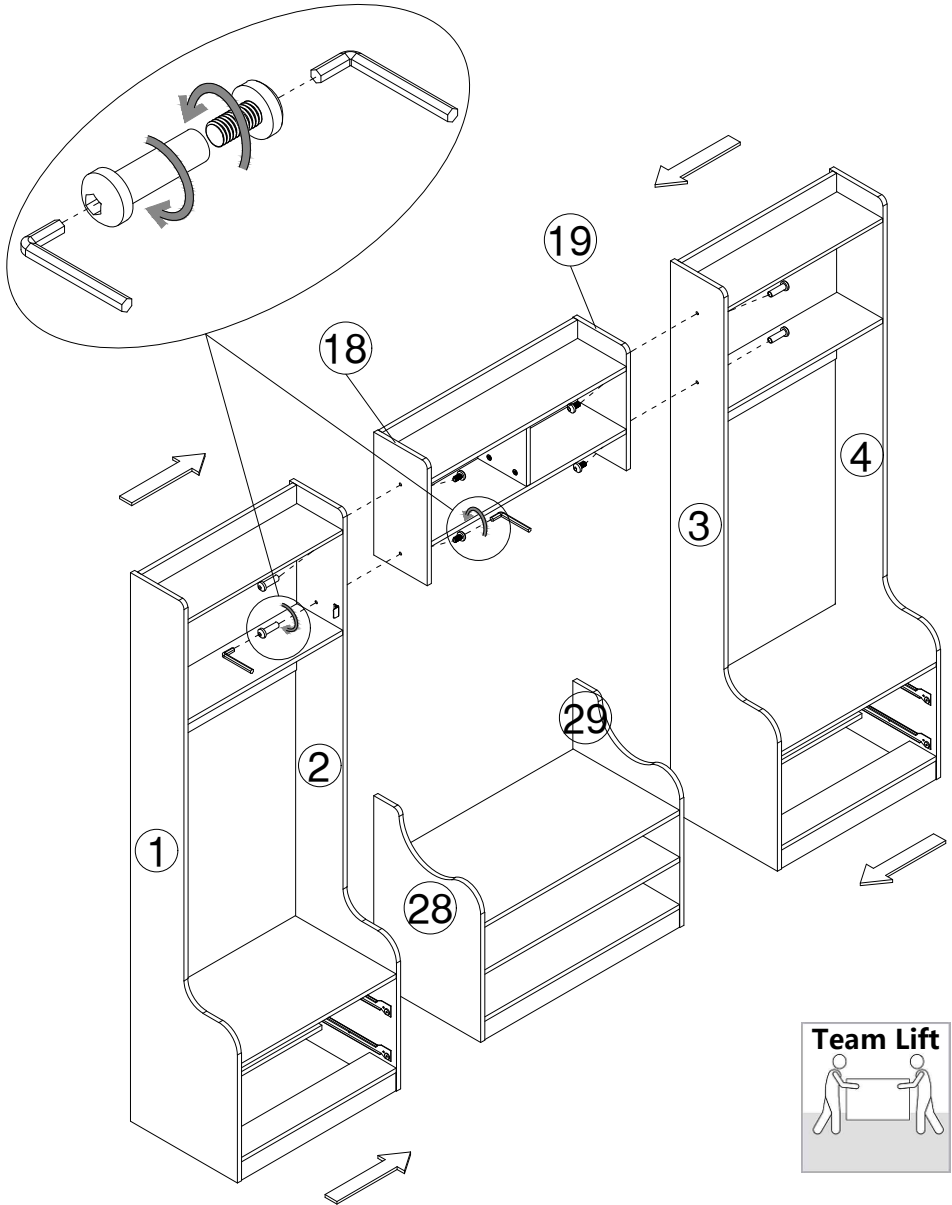
22



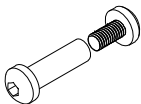
C



[×9]

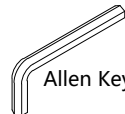


T



[× 4]

W

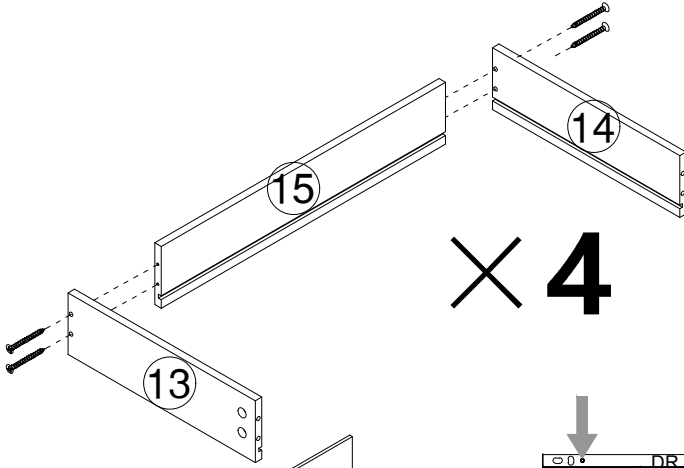


Allen Key

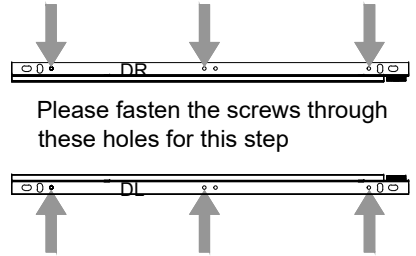
[× 2]



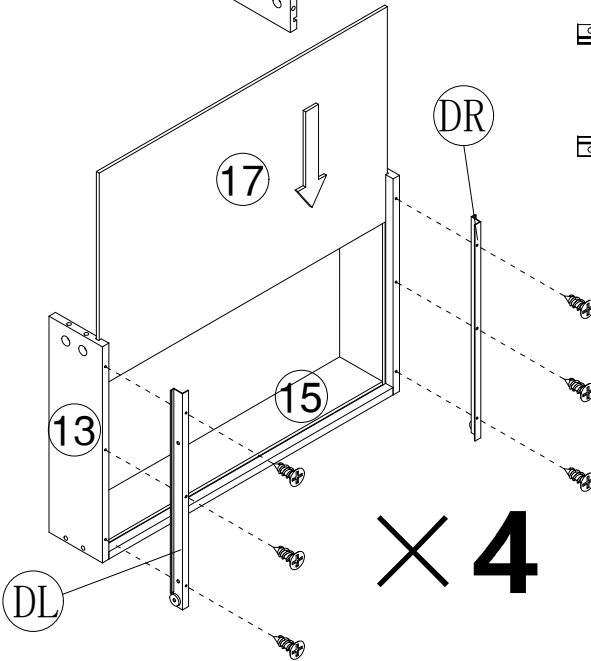
24



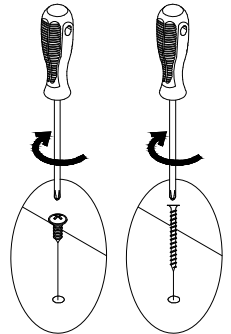
× 4



Please fasten the screws through these holes for this step



× 4

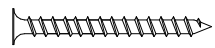


(N)



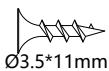
[× 8]

(L)



[× 16]

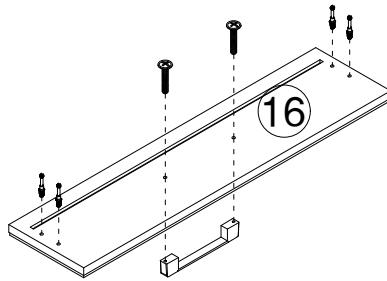
(U)



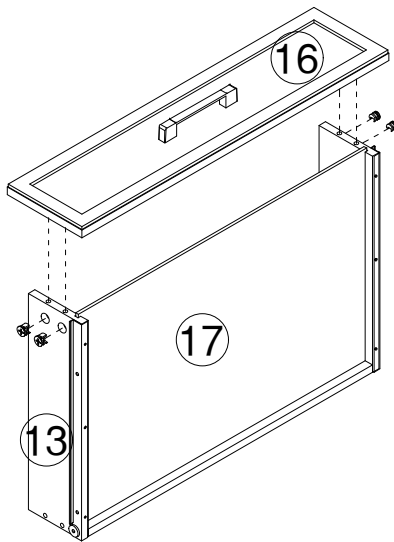
∅3.5*11mm

[× 24]

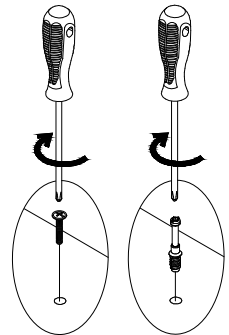
25



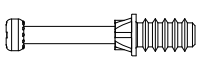
× 4



× 4



A



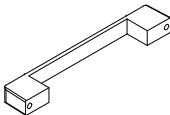
[×16]

D



[×16]

G



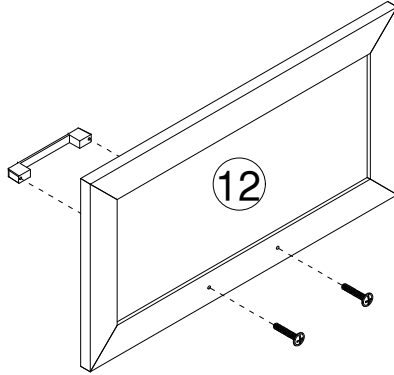
[×4]

S

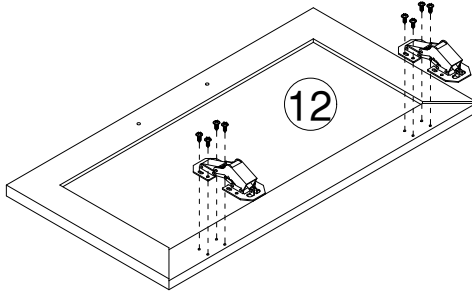


[×8]

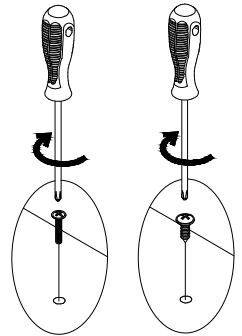
26



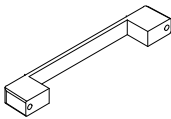
× 2



× 2

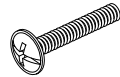


G



[× 2]

H



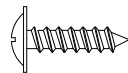
[× 4]

P

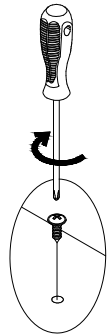
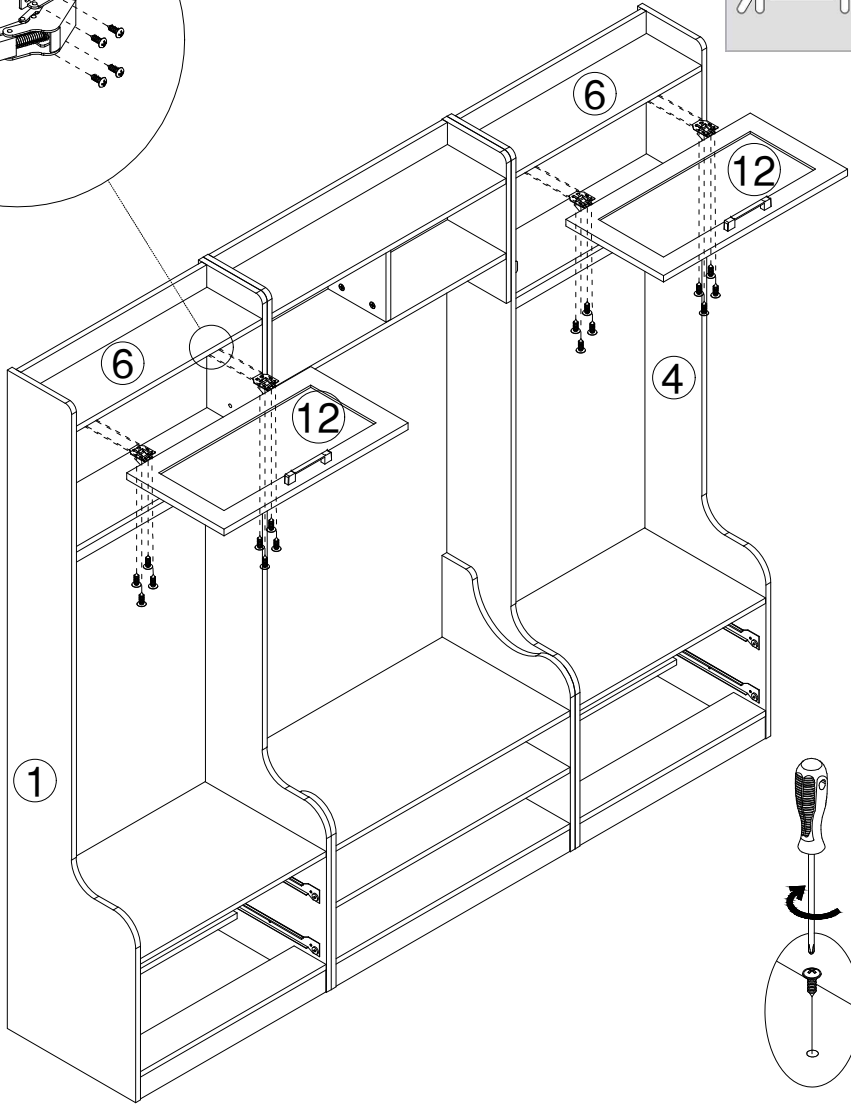
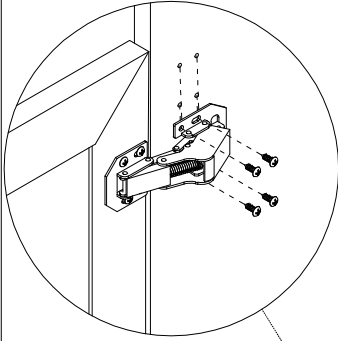


[× 4]

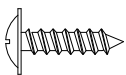
R



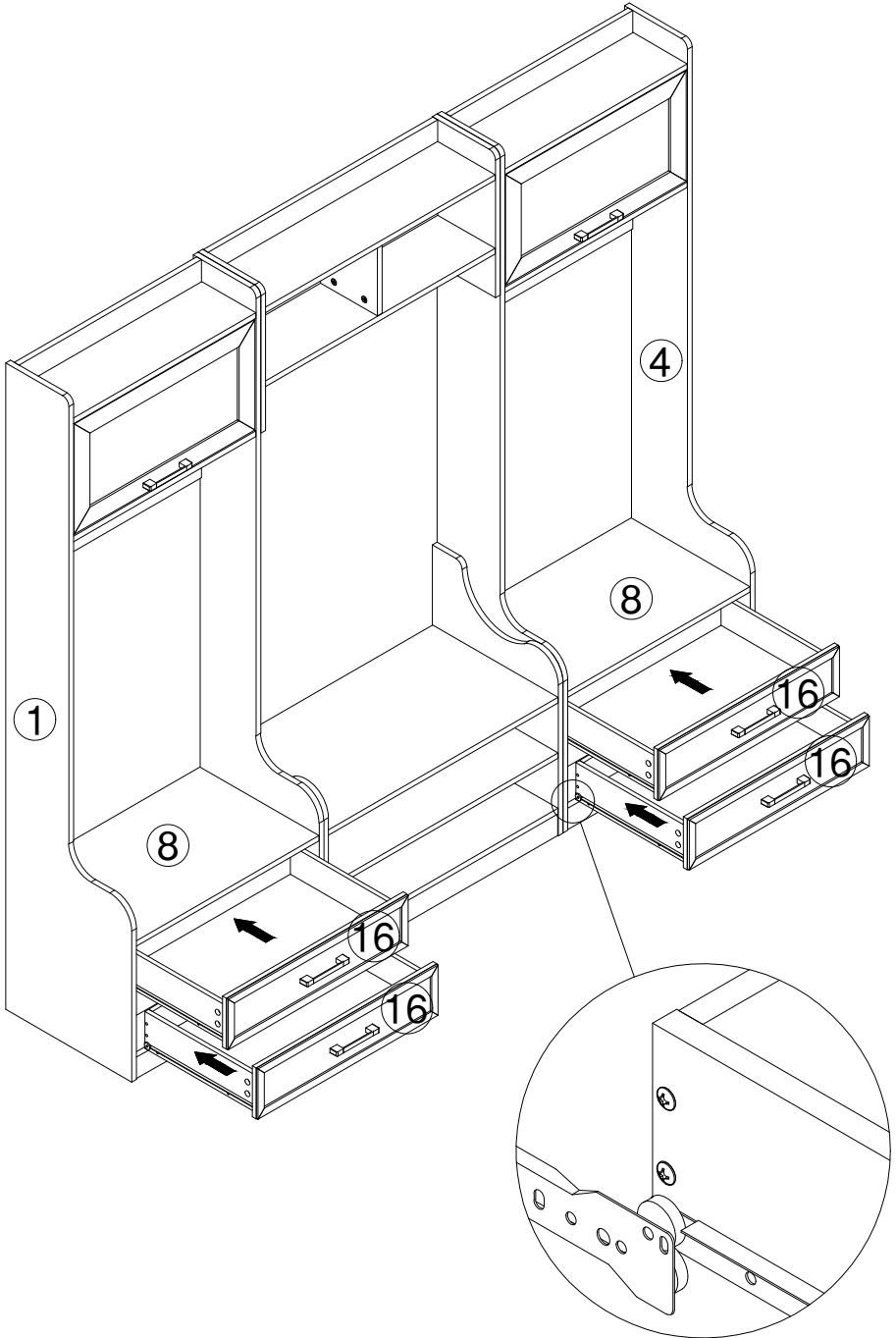
[× 16]

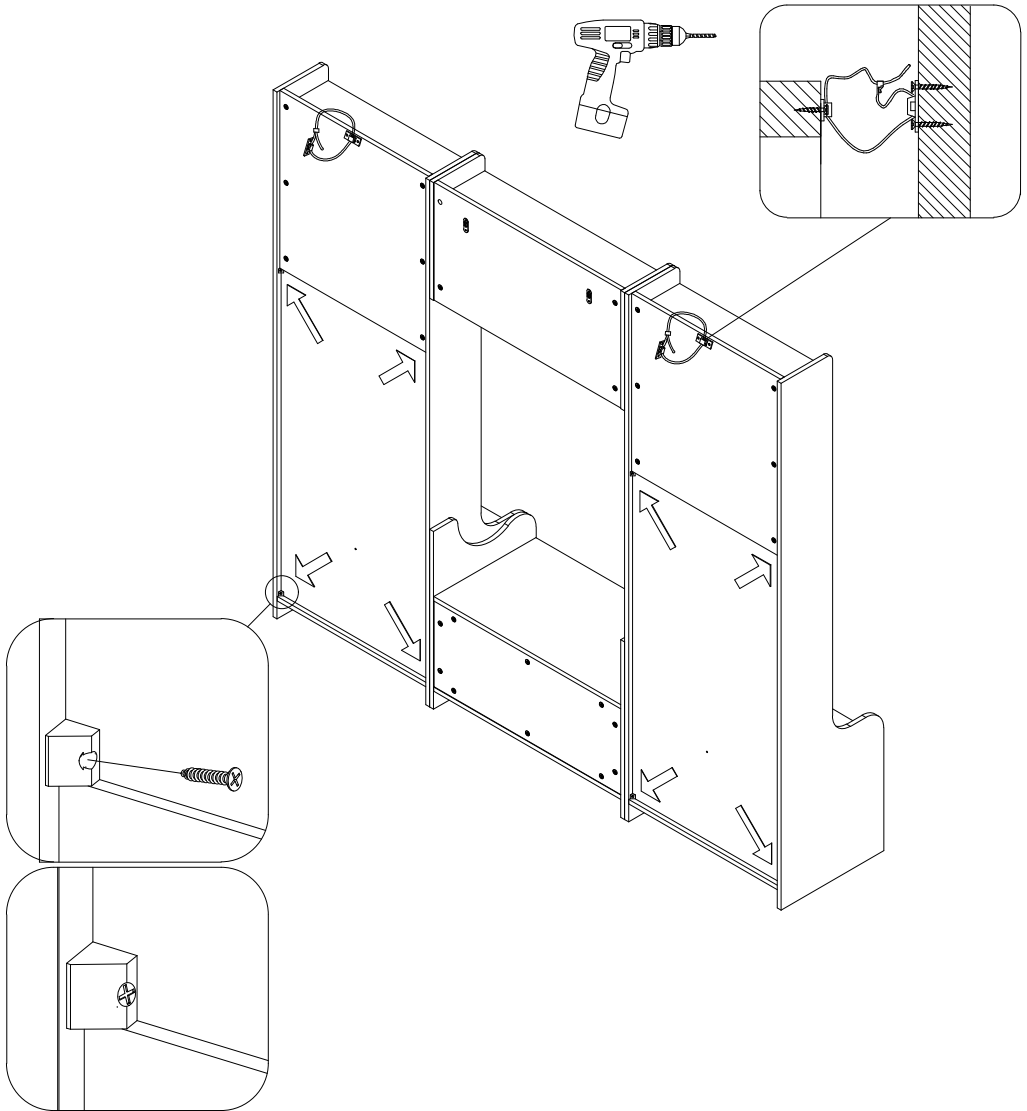


R



[×16]





E



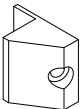
[x8]

Q



[x2]

F



[x8]