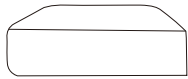
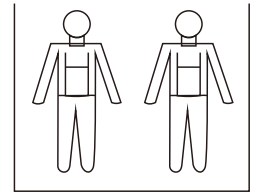


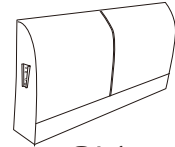
# ASSEMBLY INSTRUCTION



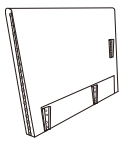
A\*2



B\*1



C\*1



D\*1 LEFT



D\*1 RIGHT

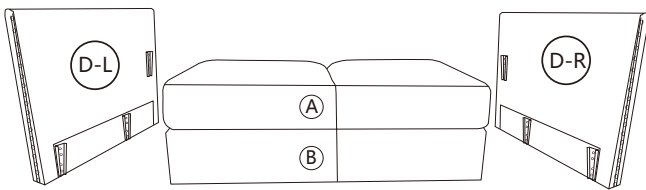


E\*4

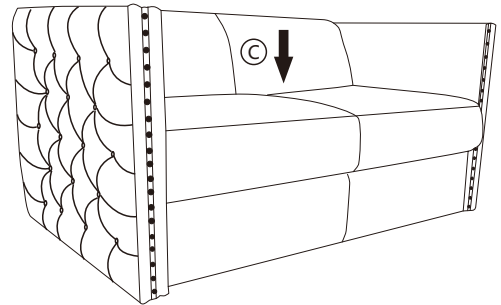


G\*4

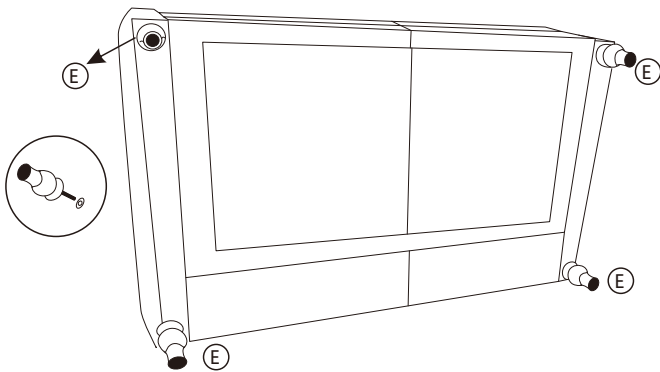
## STEP1



## STEP2



## STEP3



## STEP4

