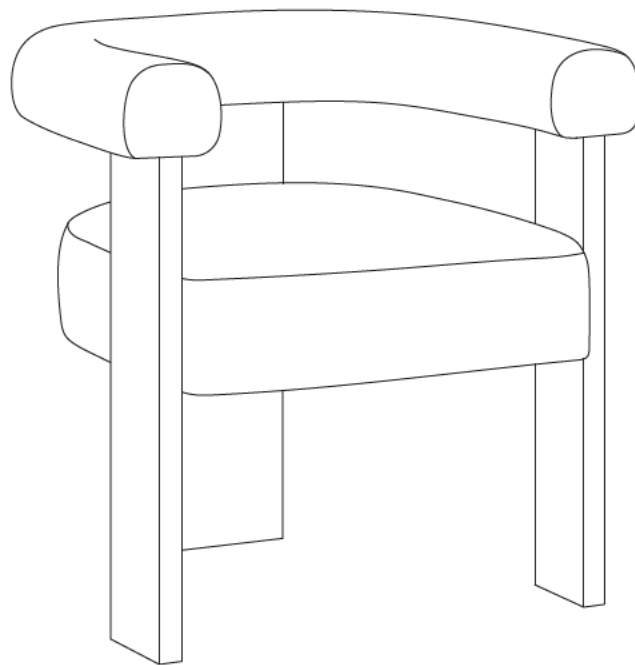


## **Solid Wood Sherpa Upholstered Armchair**



# NOTICE

**Please keep these instructions for future reference.**

**Dear Customer**

● Thank you for your purchase. When you receive the product, please make sure that all the parts are intact. If any parts are missing, please contact us promptly to request replacement parts.

● Then follow the entire installation instructions to install.

● Each part is crucial, so please be careful not to lose any. It is recommended to store parts with different lettered identifiers in separate boxes or bags to avoid confusion during installation.

**A** . The outer box is damaged

**B** . The product is damaged / bent / cracked while you open the box

**C** . The parts / accessories / assembly tools are missing

**D** . The instructions are not clear and can not be referred

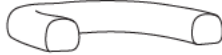

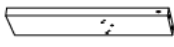
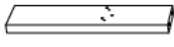
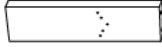
**E** . The product has functional problems




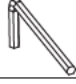



**F** . Other aspects that you are not satisfied with

Please feel free to contact us for help. Our after-sales team service

([Homefurniture Serviceteam@outlook.com](mailto:Homefurniture Serviceteam@outlook.com) ) will reply within 24 hours and will do our best to resolve the problem for you.

# PART LIST

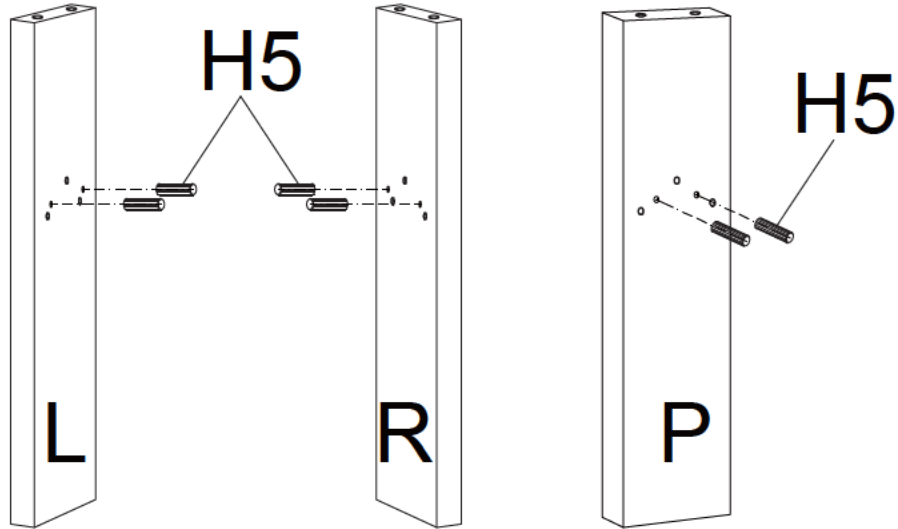
PART	DRAWING	DESCRIPTION	QTY
A		armrest	1
B		Seat cushion	1
L		Left side panel	1
R		Right side panel	1
P		Back panel	1

PART	DRAWING	DESCRIPTION	QTY
H1		screw	9
H2		Gasket	9
H3		Gasket	9
H4		L tool	1
H5		Wooden tenon	6
H6		Bolt	6
H7		screws	2

# STEP

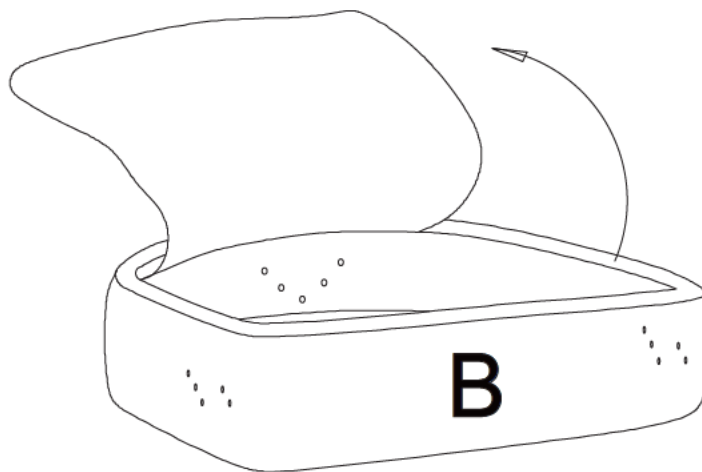
1

Position the wooden tenon H5 into the hole corresponding to R/L/P.



2

Flip B so that the bottom is facing up, then uncover the cloth underneath.

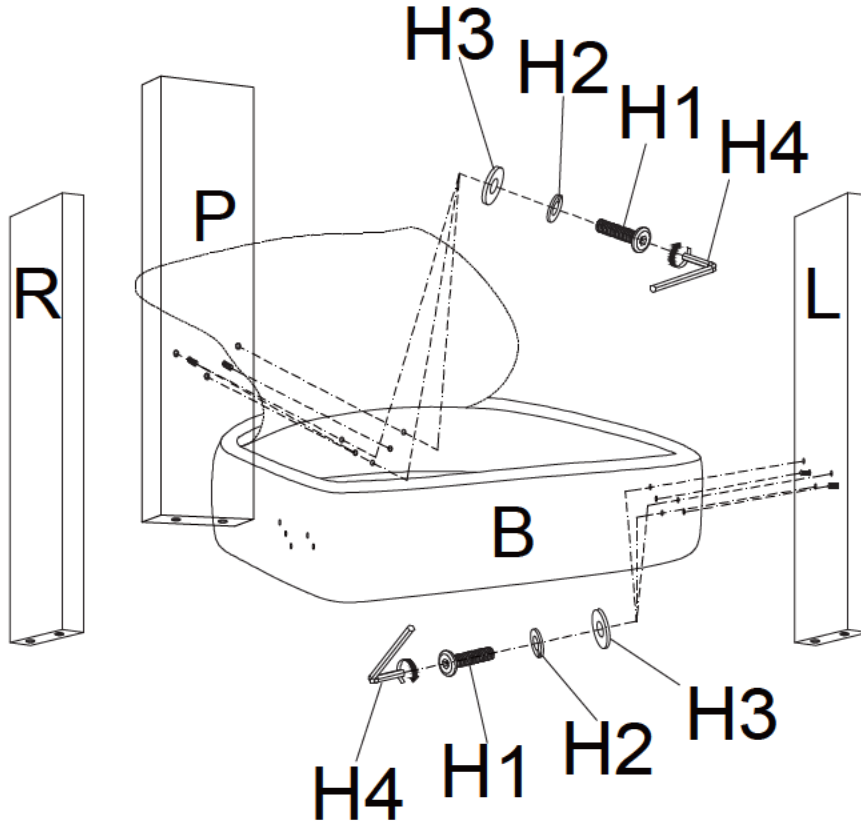


# STEP

3

R/L/P corresponds to the hole position and the B combination.

**Note: Do not lock the screws until the screw is finished!**

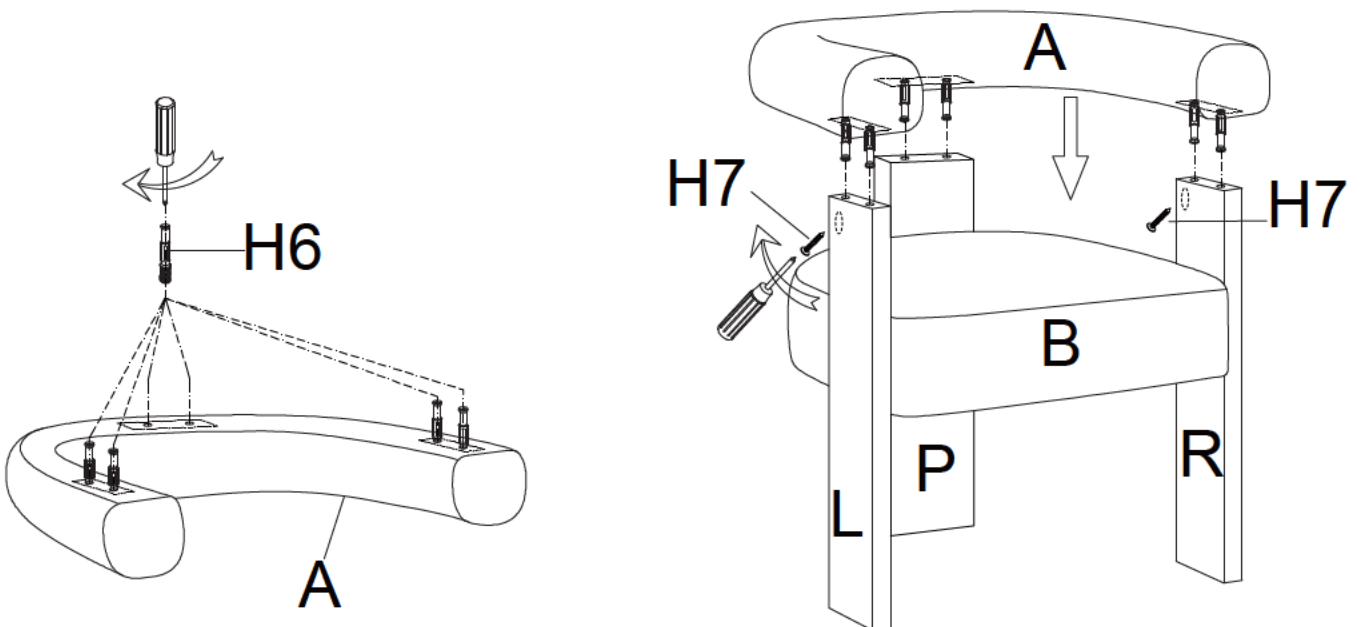


4

H6 is fitted into the hole on the bottom surface of A.

Insert A into the hole of R/P/L and press down tightly.

Finally secure with H7 from the holes behind L and R.



# **AFTER-SALE SERVICE**

If you have any suggestions for our products or notice any quality issues, please contact us first. Our after-sales team will respond within 24 hours and will do everything possible to provide you with a satisfactory solution.