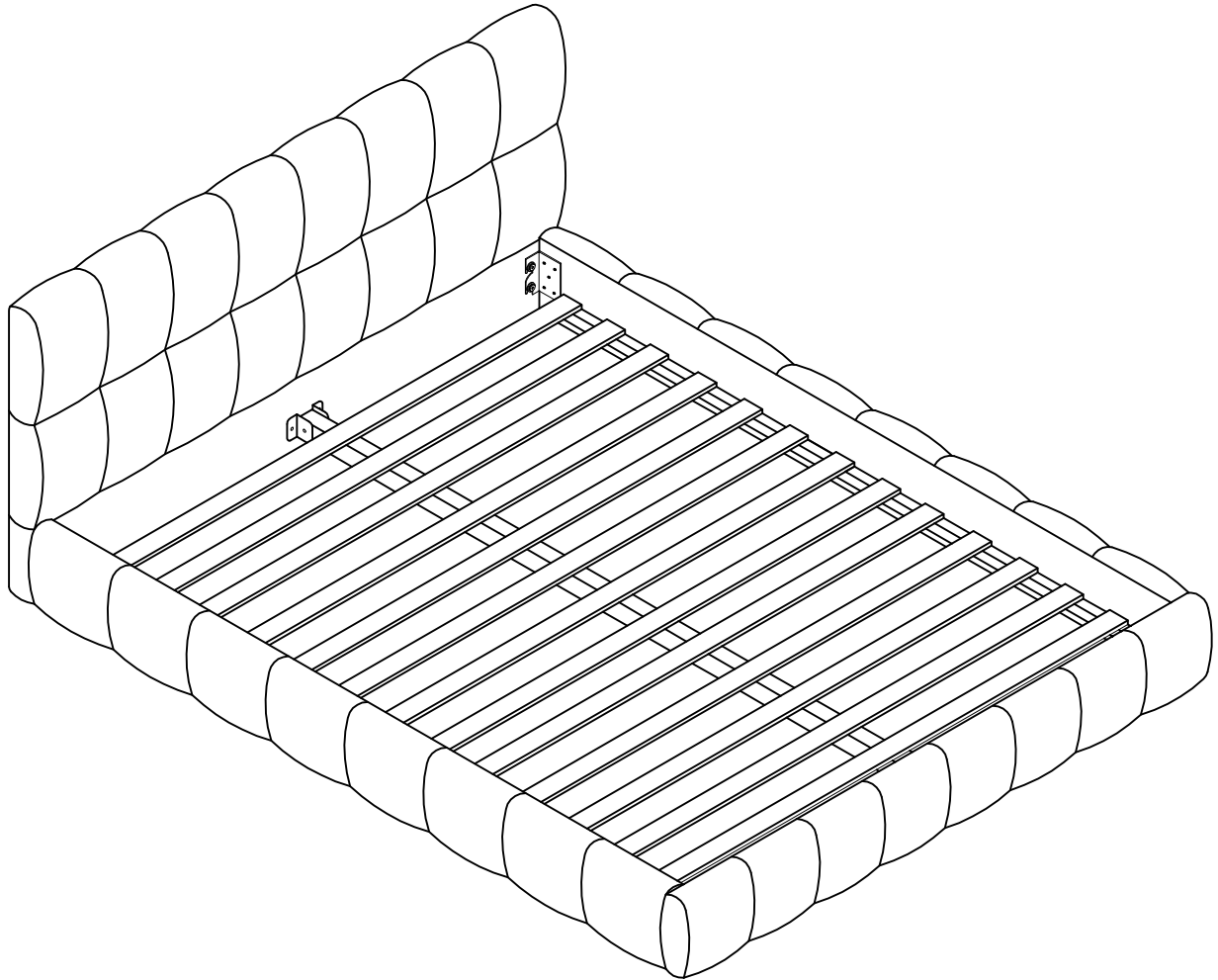


# ASSEMBLY INSTRUCTIONS

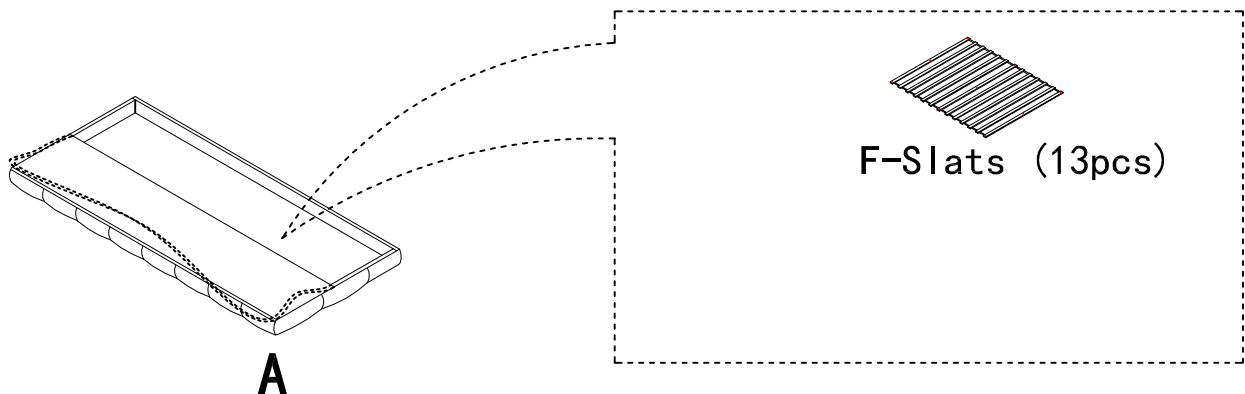
Q



Install all screws according to the instructions, and then tighten them completely.

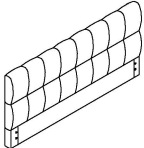
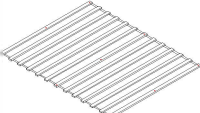
NOTE: The slats are stored at the bottom of Section A

STEP :Packing Details

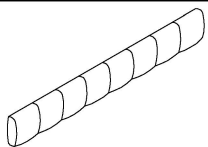
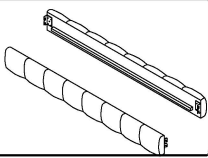
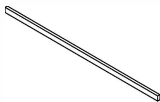
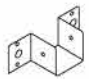
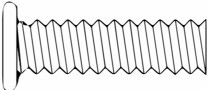
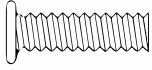

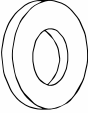
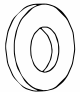





# PACKING DETAILS: TOTAL 2 BOXES

## BOX- 1/2

A	
PART	
	A-HeadBoard (1pc)
	F-Slats (13pcs)

## BOX-2/2

B	
PART	
	B-Foot Board (1pc)
	C-Side Rails (2pcs)
	D-Center Support Bar (1pc)
	E- (2pcs)
	m8*30 1 -Bolt (8pcs)
	m6*25 2 -Bolt (4pcs)
	m8 3 -Spring Washer (8pcs)
	m8*16 4 -Flat Washer (8pcs)
	m6*16 5 -Flat Washer (4pcs)
	m8 6 -Allen Key (1pcs)
	m6 7 -Allen Key (1pcs)
	M4*25 8 - Screw (9pcs)

# ASSEMBLY INSTRUCTIONS

## STEP 1:



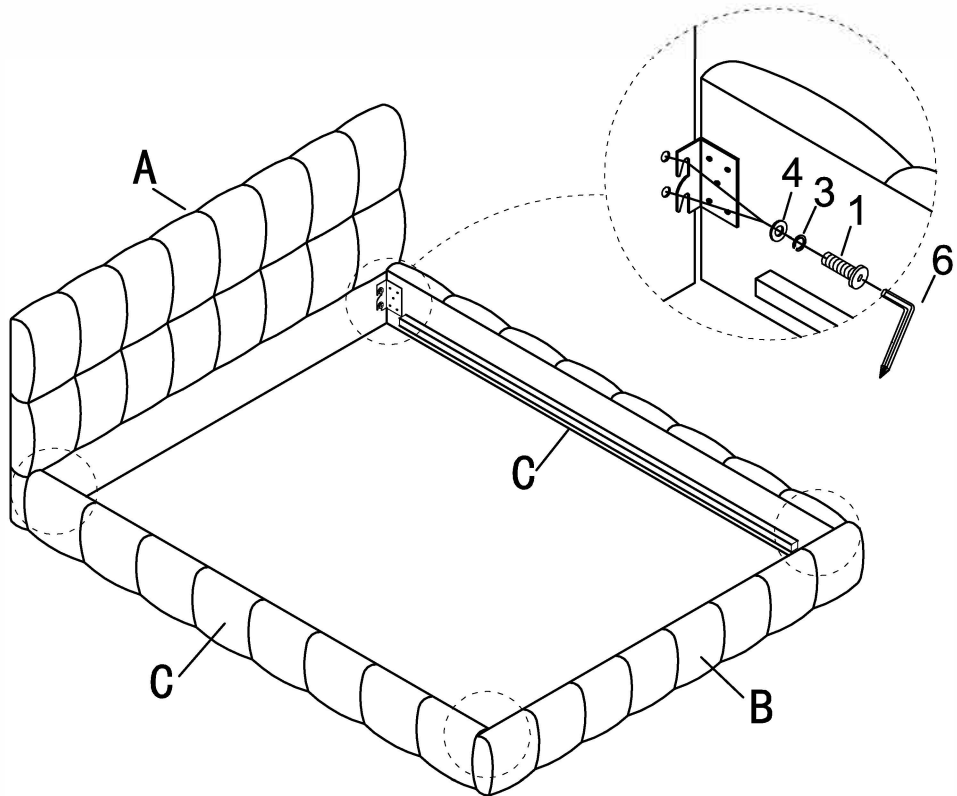
m8\*30  
1 -Bolt (8pcs)



3 -Spring Washer  
(8 pcs)



m8\*16  
4 -Flat Washer  
(8pcs)



## STEP 2:



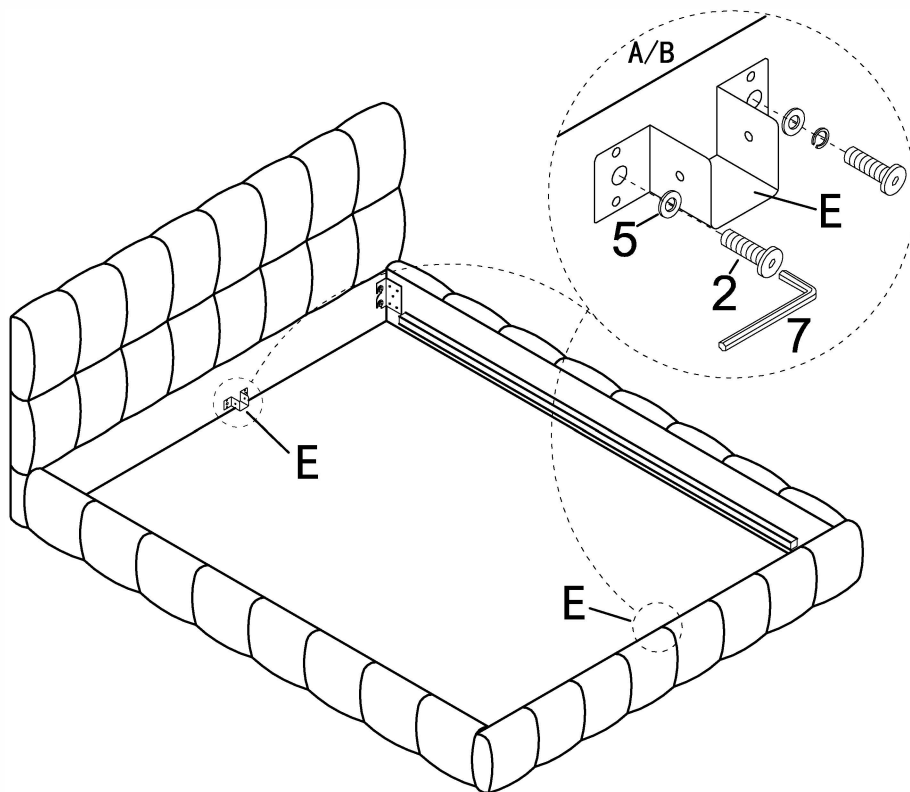
m6\*25  
2 -Bolt (4pcs)



m6\*16  
5 -Flat Washer  
(4pcs)



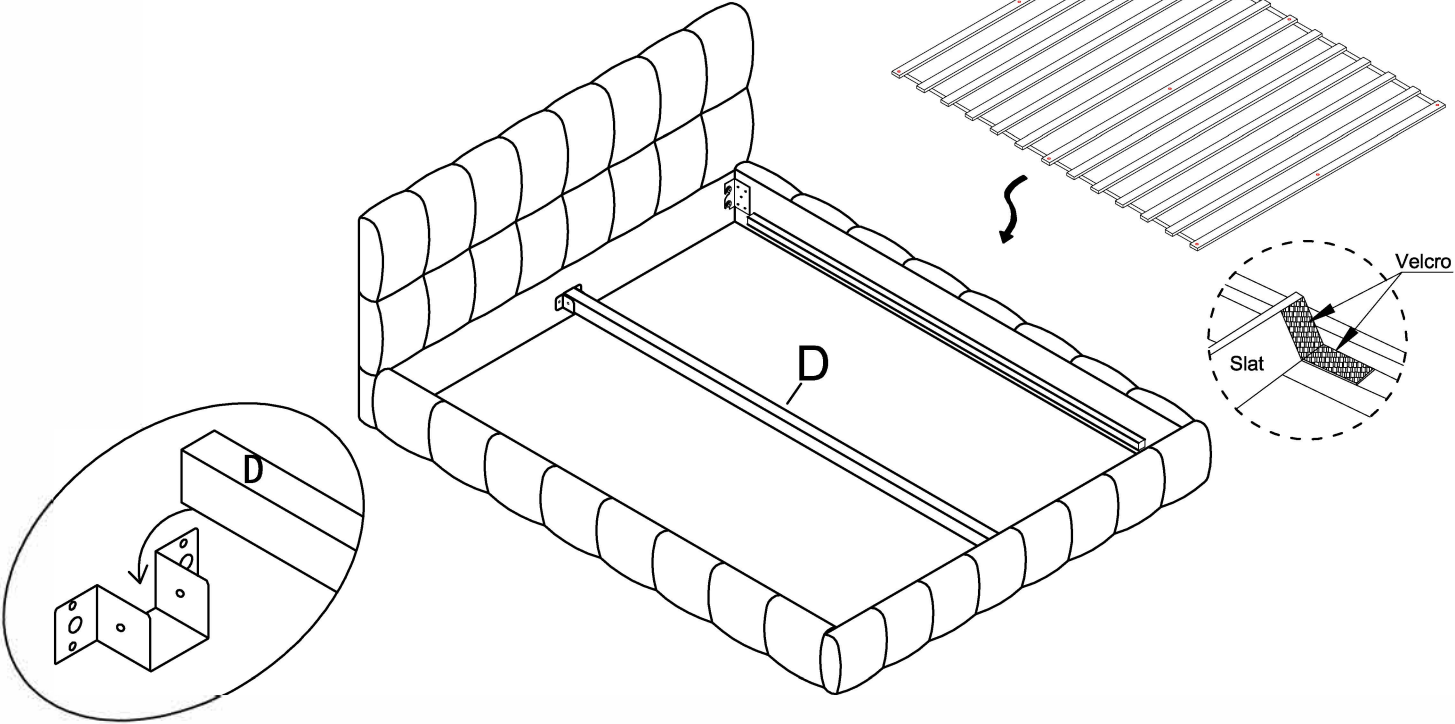
E- (2pcs)



# ASSEMBLY INSTRUCTIONS

STEP 3:

F-Slats (13pcs)



STEP 4:



M4\*25

8 - Screw (9pcs)

