
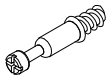






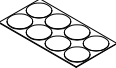
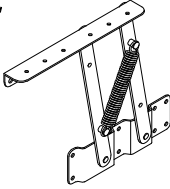
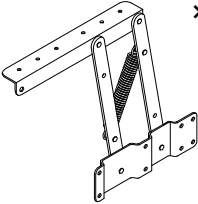
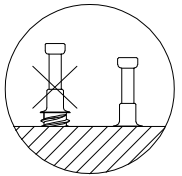
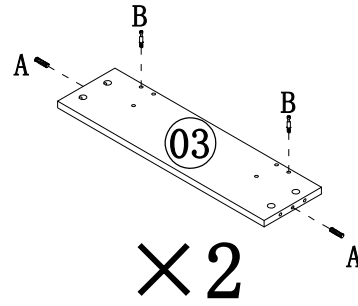
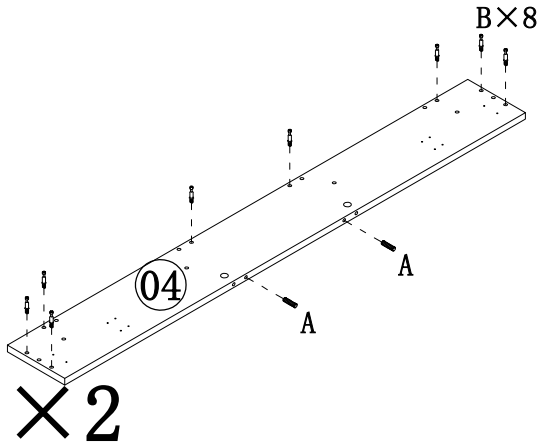
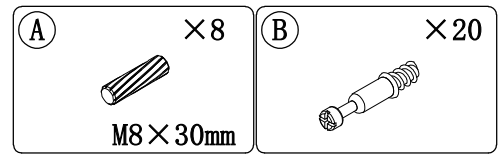
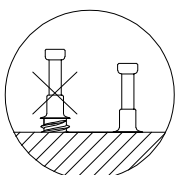
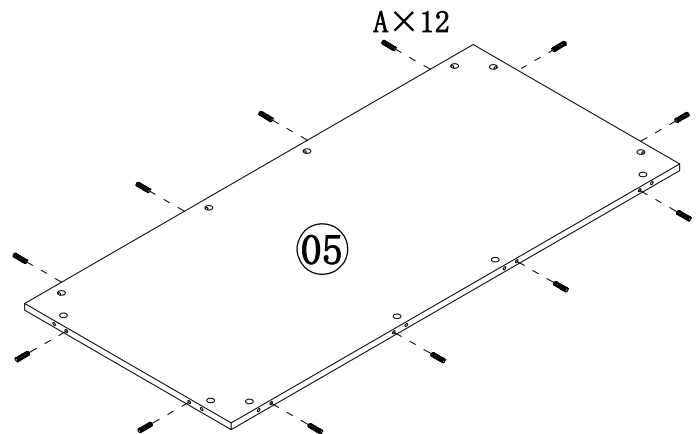
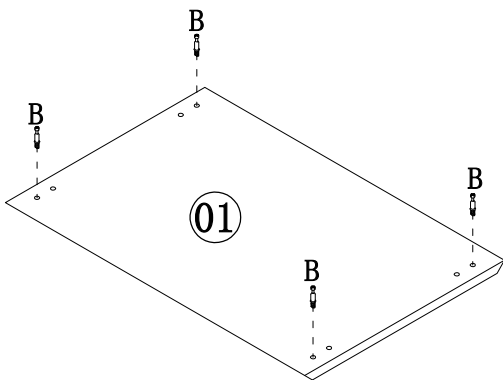
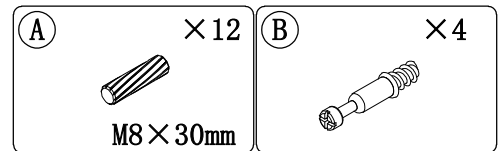


| | | | | | |
|---|---|---|---|---|---|
| (A)  × 20 M8 × 30mm | (B)  × 24 | (C)  × 24 | (D)  × 48 M4 × 14mm | (E)  × 16 M6 × 12mm | (F)  × 12 M6 × 20mm |
| (G)  × 8 | (H)  × 1 M4 | (I)  × 24 | (J)-L  × 2 | | (J)-R  × 2 |

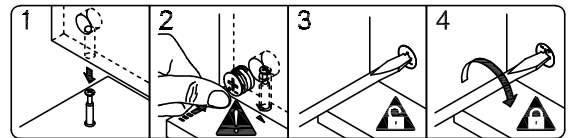
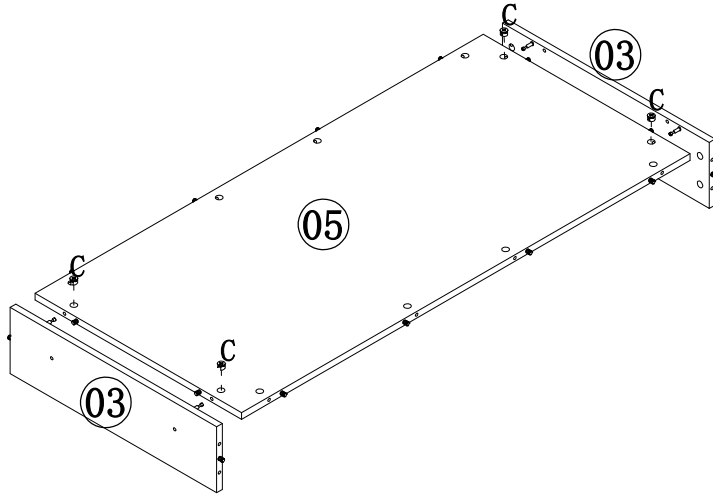
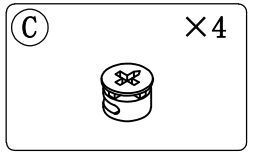
01



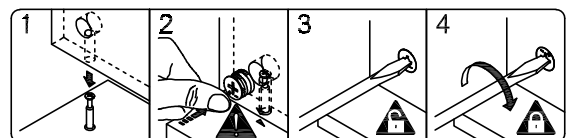
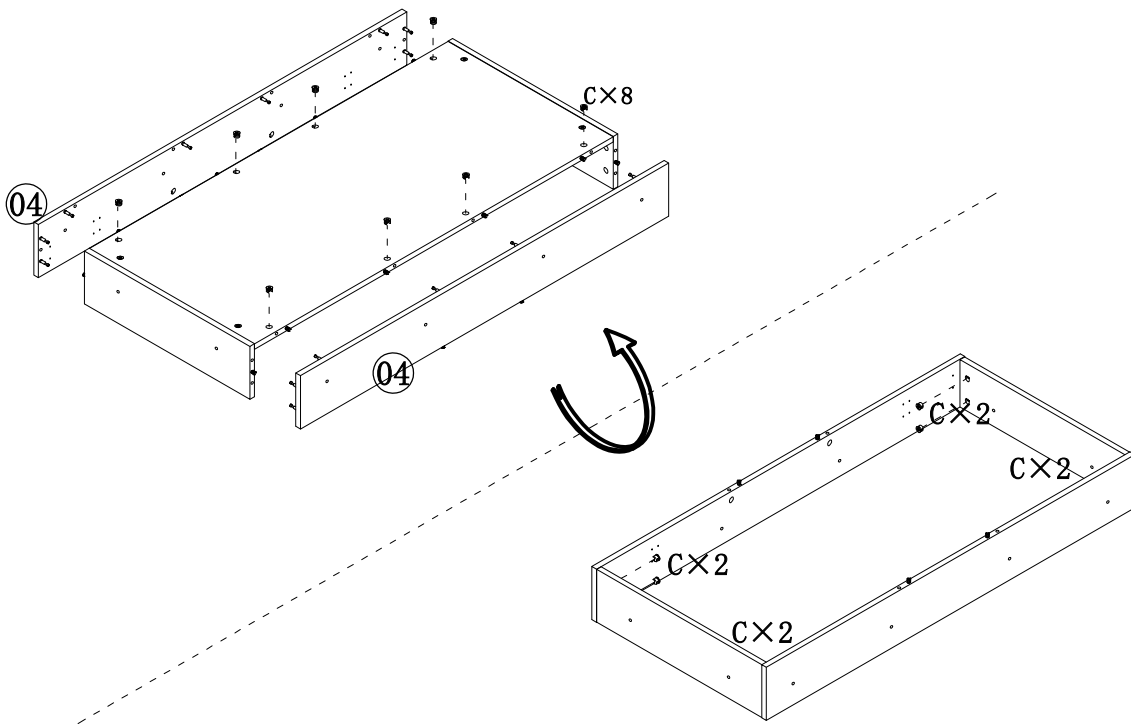
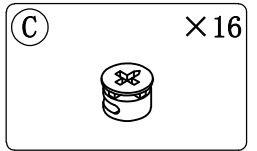
02



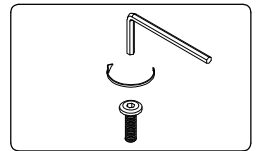
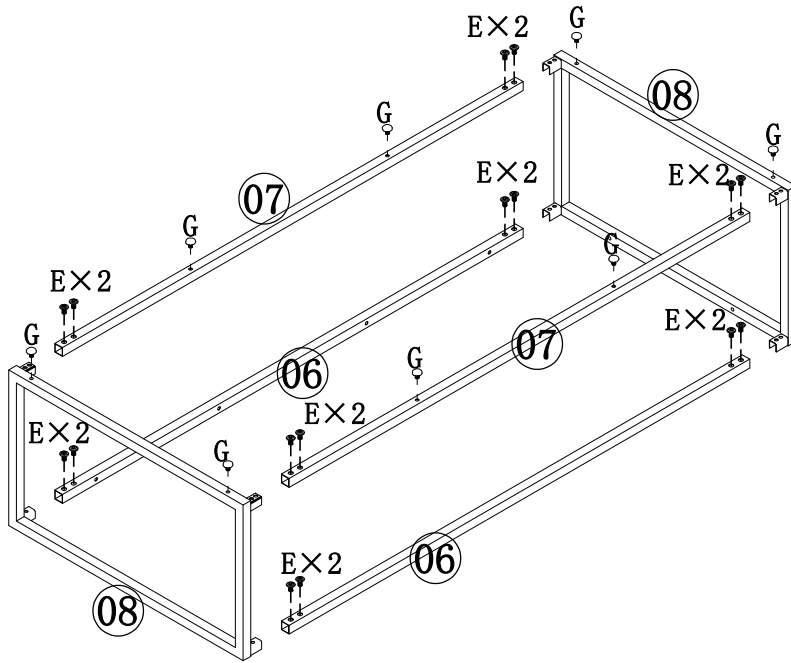
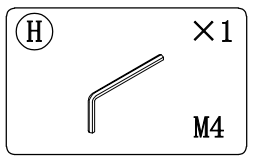
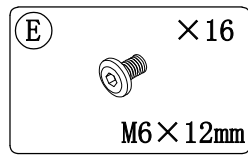
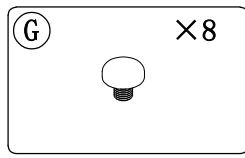
03



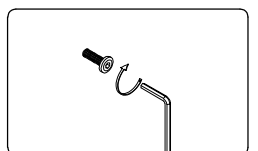
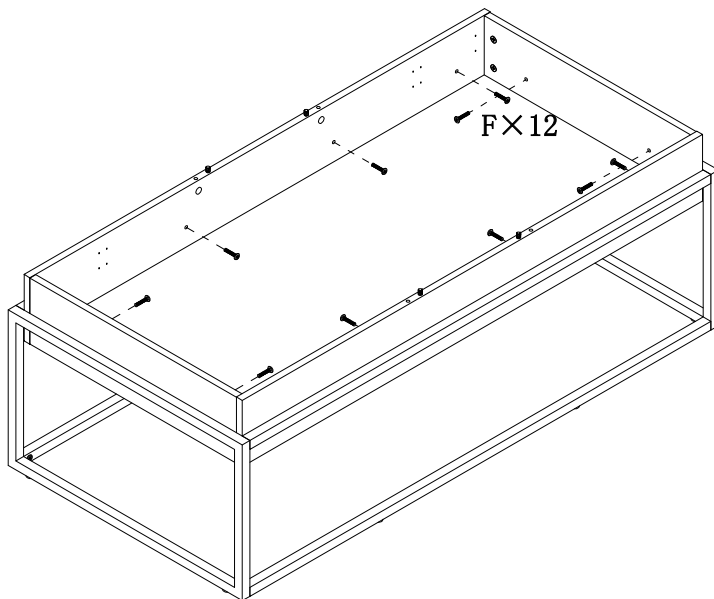
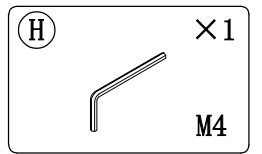
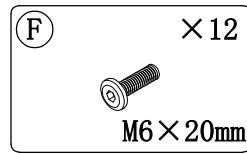
04



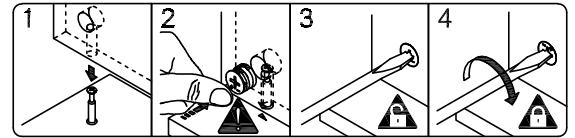
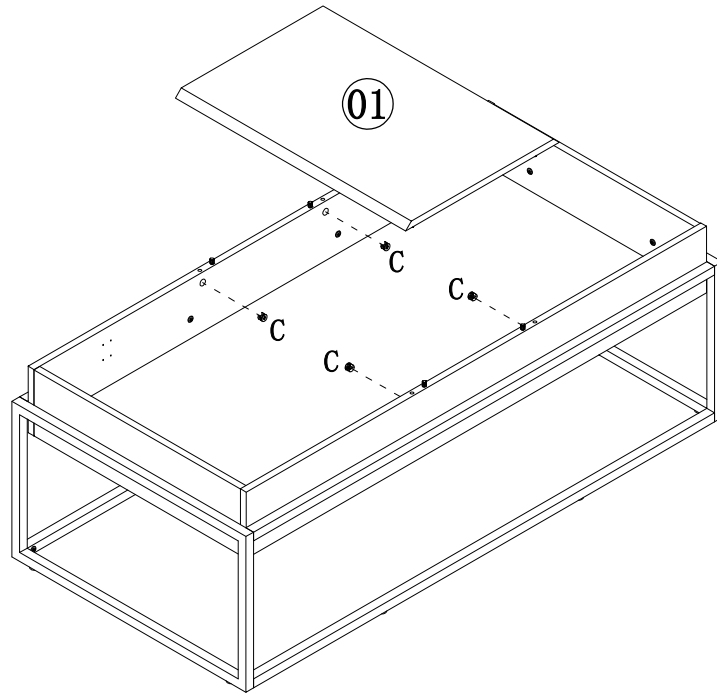
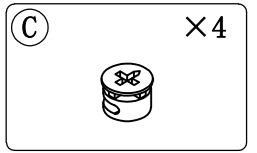
05



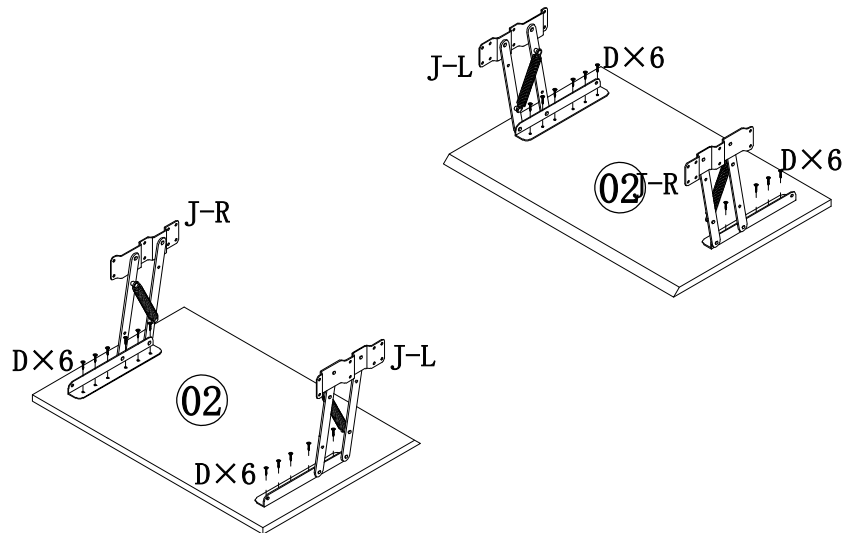
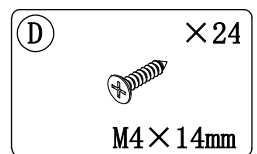
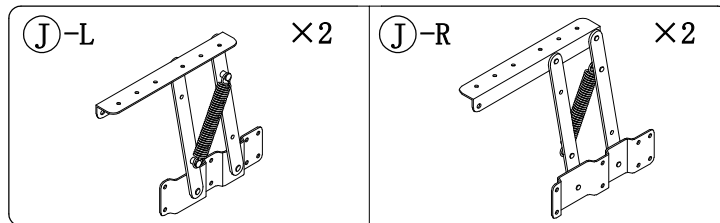
06



07

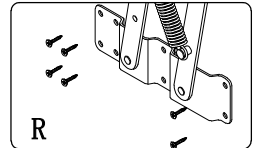
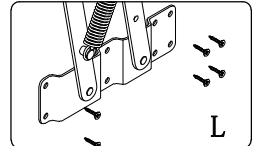
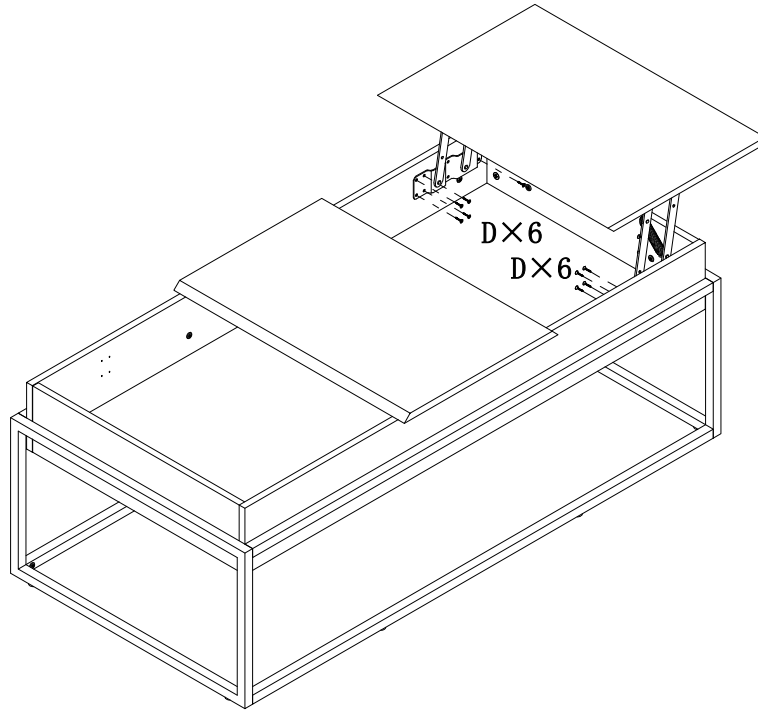


08



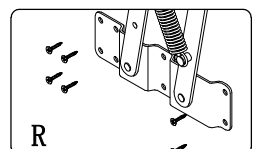
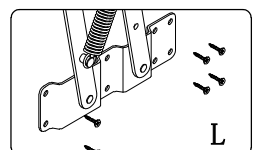
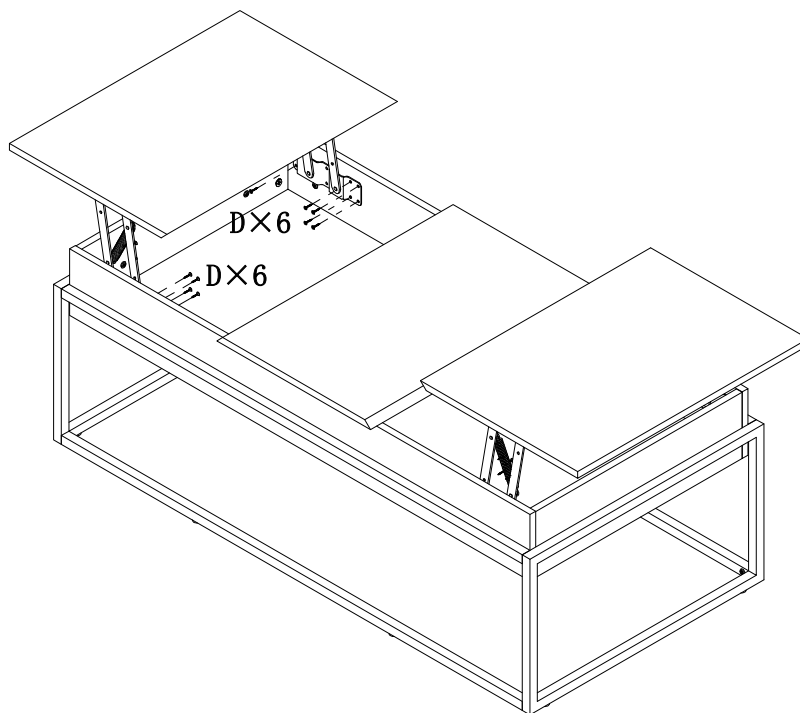
09

ⓓ × 12
M4 × 14mm



10

ⓓ × 12
M4 × 14mm



11

