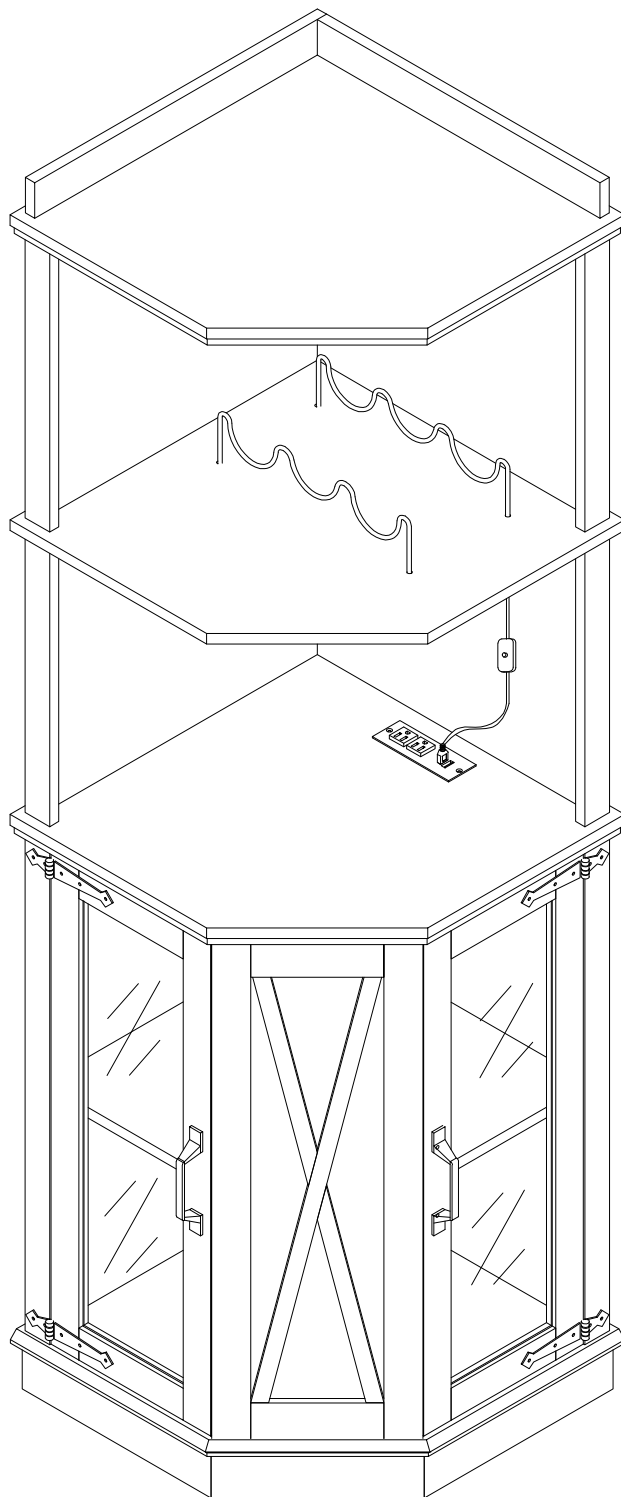


Bar Cabinet

Assembly Instructions - Please keep for future reference

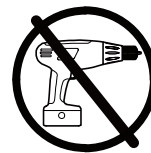


Important – Please read these instructions fully before starting assembly

Safety and Care Advice

Important – Please read these instructions fully before starting assembly

- Check you have all the components and tools listed on the following pages.
- Remove all fittings from the plastic bags and separate them
- Keep children and pets away from the installation area, which may cause choking if small parts are swallowed.
- Make sure you have enough space to layout the parts before
- Do not stand or apply weight to the product during assembly. This may cause damage.
- Assemble the item as close to its final position (in the same room) as possible.
- Assemble on a soft level surface to avoid damage to the unit or floor.
- It's easier for two people to assemble the parts together. or floor.
- To reduce the likelihood of damage to your product, make sure your power drill is set to a low torque setting.



Care and maintenance

- Only clean using a damp cloth and mild detergent, do not use bleach or abrasive cleaners.
- Check for loose screws on this unit from time to time.
- This product should not be discarded with household waste. Take to your local authority waste disposal centre.

Handy Hints

- Assemble all parts and bolts loosely during assembly, only once the product is complete should you fully tighten the bolts
- Regularly check and ensure that all bolts and fittings are correctly tightened.

WARNING In order to help prevent overturning – please follow these instructions

To help prevent product toppling over please follow the below steps:-

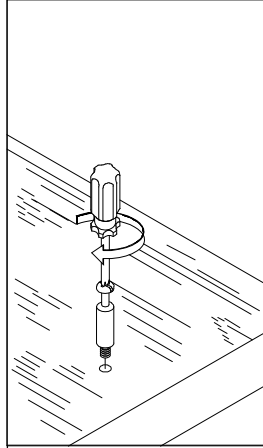
Use the anti tip stap or wall fixing method provided (if applicable)
Do not allow children to climb or hang on the furniture
Do not open more than one drawer at a time
Do not place heavy items in the top drawers
Do not place heavy items on top of the furniture, unless the furniture has been designed for this purpose

please note that only the anti tip strap is provided.
You will need to provide wall plugs and screws applicable for your wall type

Using Camlocks

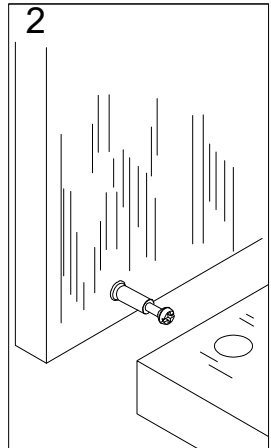
Step 1

Connect the male camlock as directed in the assembly instructions using a screwdriver.



Step 2

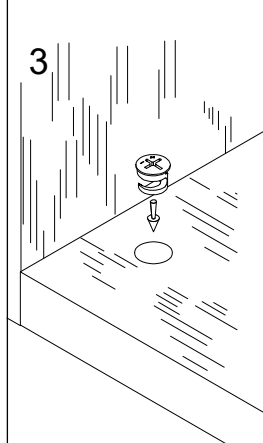
Push the male camlock into the entry hole.



Step 3

Insert the female camlock as shown in the instruction.

Note: ensure that the arrow on the top of the camlock points towards the entry hole for the male camlock.

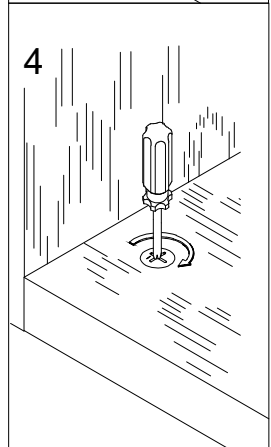


Step 4

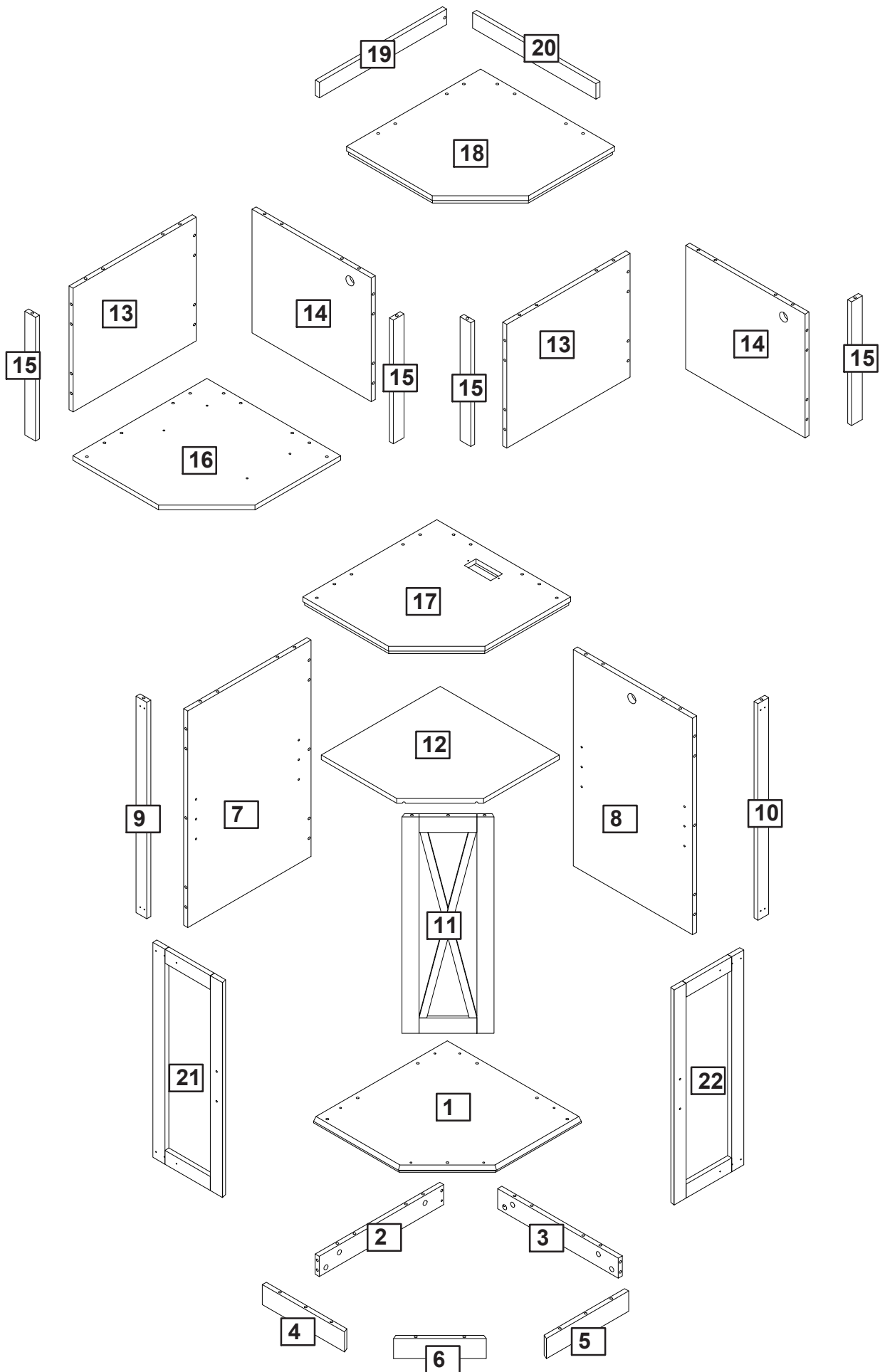
Turn the female camlock clockwise with a screwdriver.

You should feel a click when the camlock is locked in place.

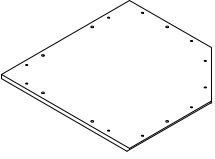
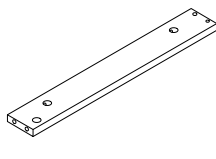
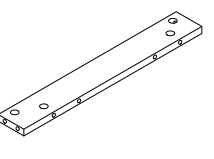
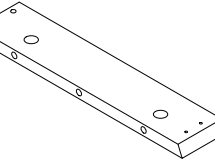
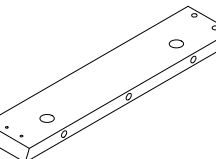

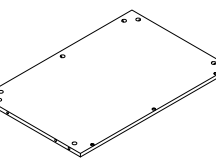
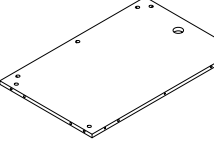
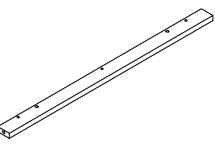
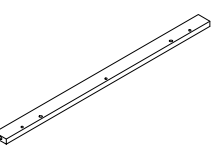
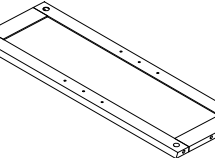

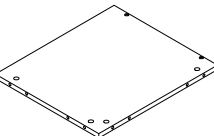
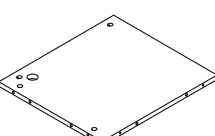
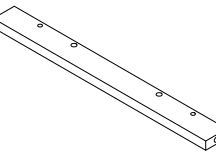
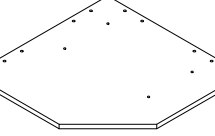
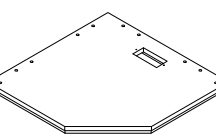
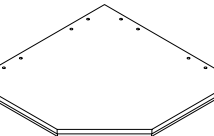
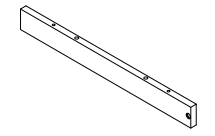
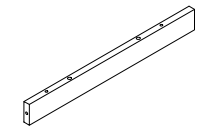
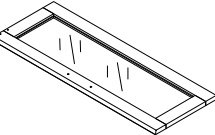
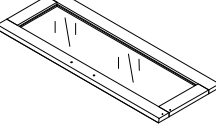
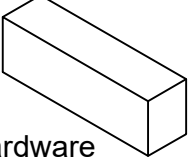
The joint is now secure.



Assembly Instructions






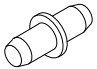
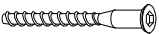

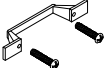

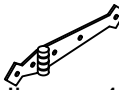
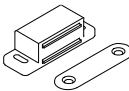



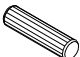


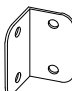



Part List

<p>①</p>  <p>1 PC</p>	<p>②</p>  <p>1 PC</p>	<p>③</p>  <p>1 PC</p>	<p>④</p>  <p>1 PC</p>	<p>⑤</p>  <p>1 PC</p>
<p>⑥</p>  <p>1 PC</p>	<p>⑦</p>  <p>1 PC</p>	<p>⑧</p>  <p>1 PC</p>	<p>⑨</p>  <p>1 PC</p>	<p>⑩</p>  <p>1 PC</p>
<p>⑪</p>  <p>1 PC</p>	<p>⑫</p>  <p>1 PC</p>	<p>⑬</p>  <p>2 PCS</p>	<p>⑭</p>  <p>2 PCS</p>	<p>⑮</p>  <p>4 PCS</p>
<p>⑯</p>  <p>1 PC</p>	<p>⑰</p>  <p>1 PC</p>	<p>⑱</p>  <p>1 PC</p>	<p>⑲</p>  <p>1 PC</p>	<p>⑳</p>  <p>1 PC</p>
<p>㉑</p>  <p>1 PC</p>	<p>㉒</p>  <p>1 PC</p>	<p>Hardware</p>  <p>1 PC</p>		


Hardware list

Please check you have all the panels listed below

Note: The quantitie below are the correcet amount to complete the assembly. In some cases more fittings may be supplied than are required.

A  Male Camlock x 47	B  Female Camlock x 47	C  Dowel (8*30) x 65
D  Shelf Support Pin x 6	E  6*50mm Screw x 20	F  Cup holder x 1
G  Handle & Fixings x 2	H  3*14mm Screw x 12	I  Door Hinge x 4
J  Magnet Touch x 2	K  3*17mm Screw x 4	L  Light Strip x 1
M  Wall Fixing Pack x 2	N  Dowel (8*50) x 2	O  4*14mm Screw x 24
P  Wine Rack x 2	Q  Corner code x 2	R  Recessed Power Strip x 1
S  3.5*14mm Screw x 2	 Hex Key M4 x 1	

Tools required

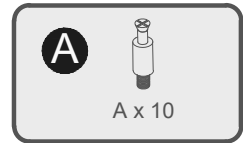
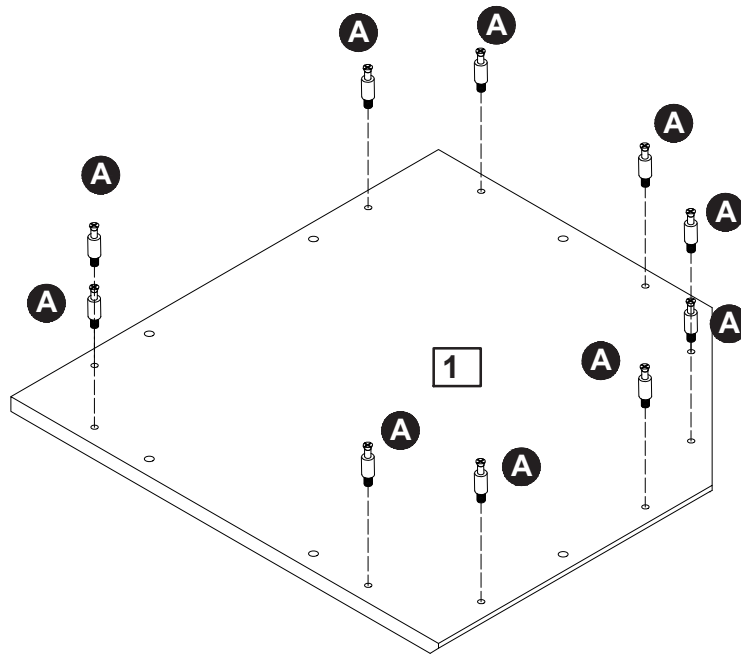
 Phillips screwdriver
(medium & large), This is not include in the hardware.

Ruler - Use this ruler to help correctly identify the screws

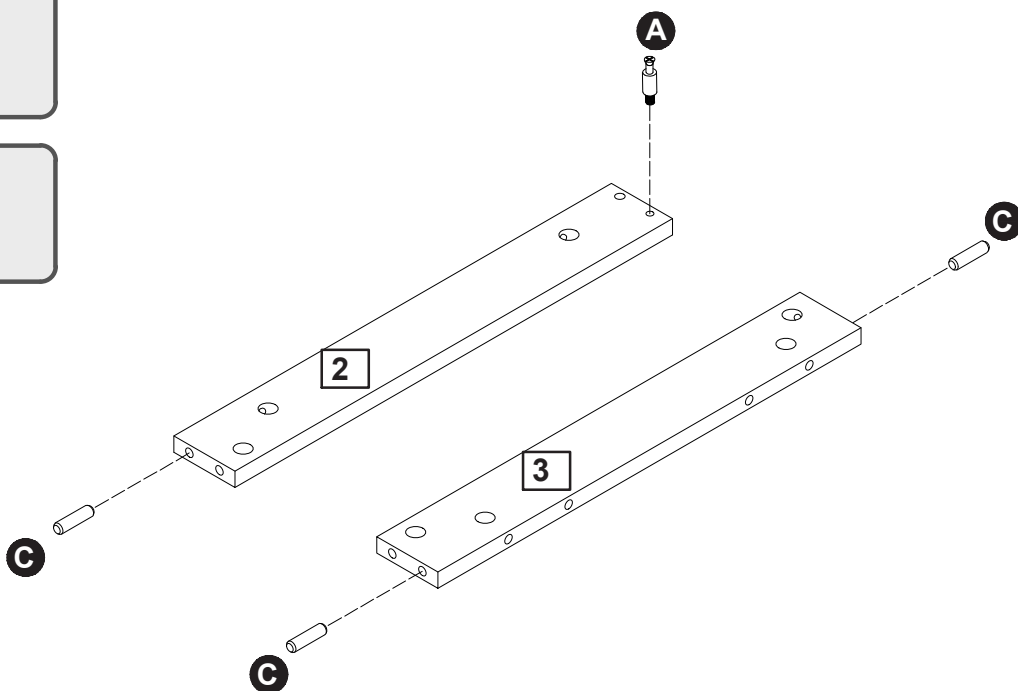
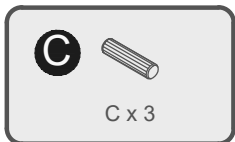


Assembly Instructions

Step 1

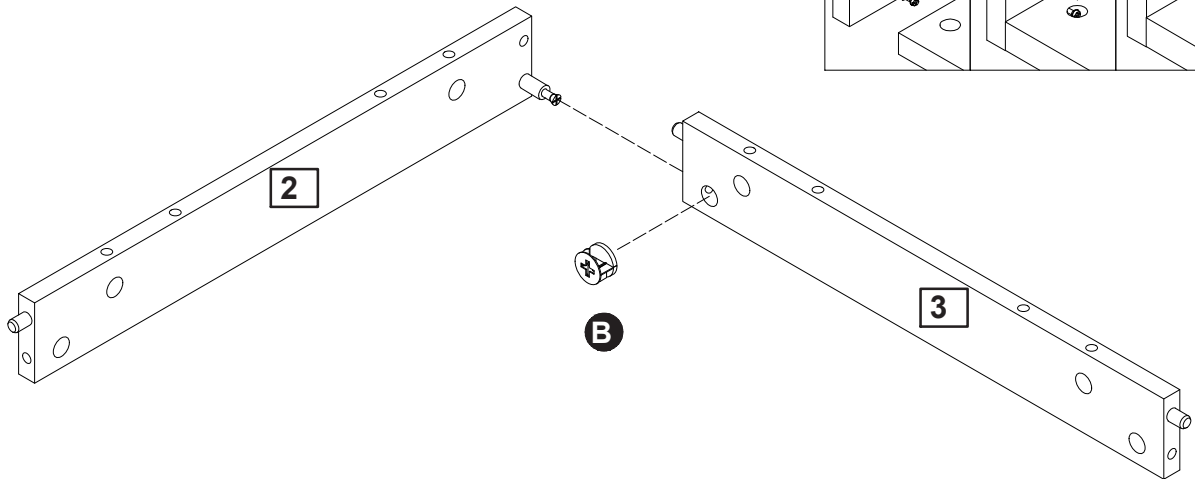
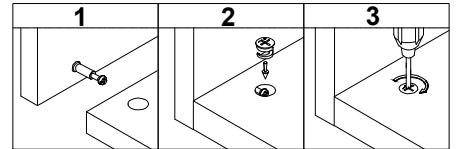
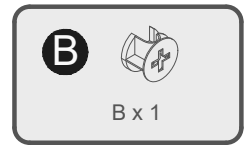


Step 2

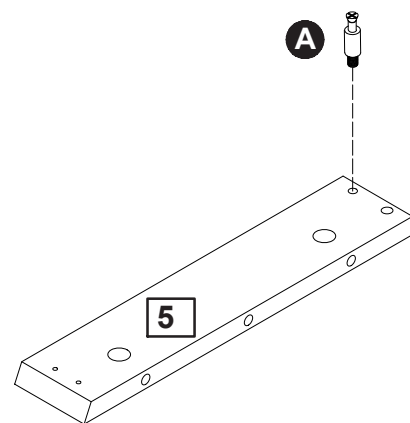
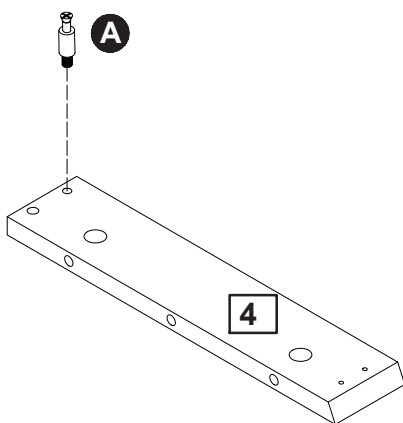
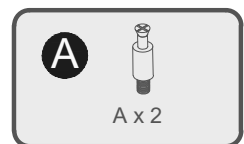


Assembly Instructions

Step 3

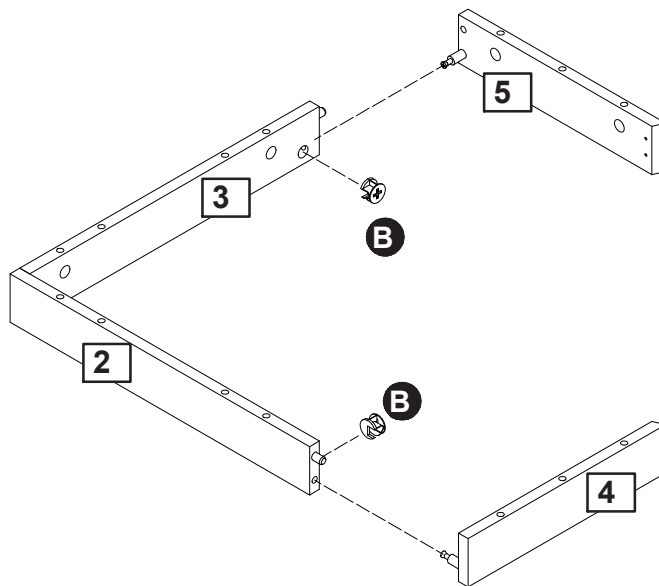
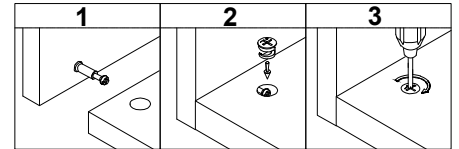
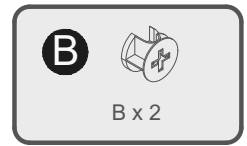


Step 4

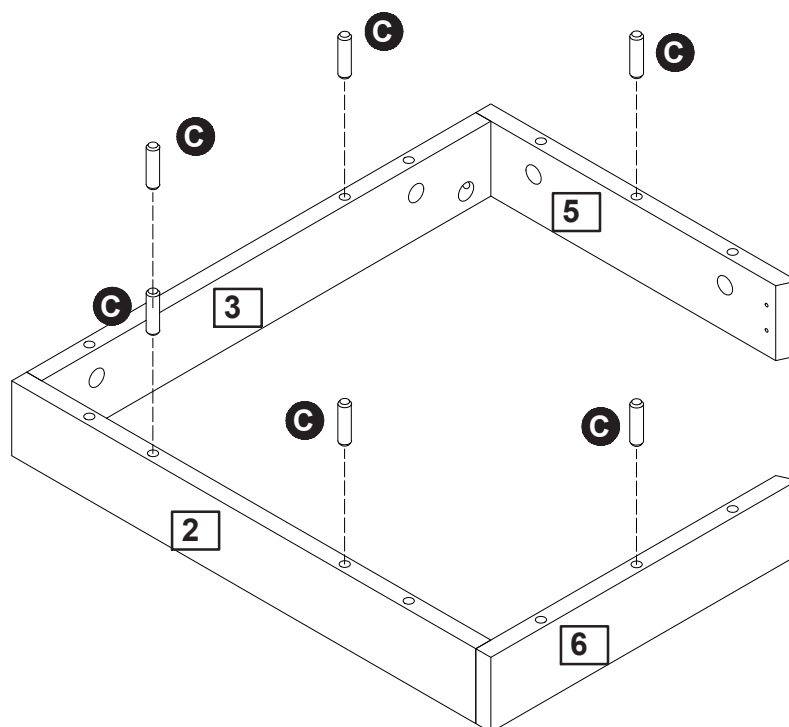
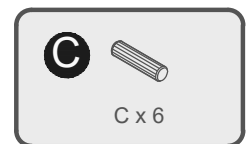


Assembly Instructions

Step 5

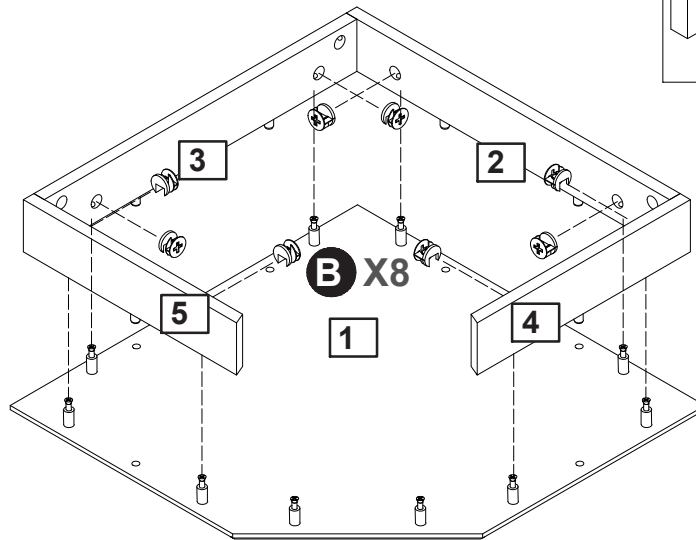
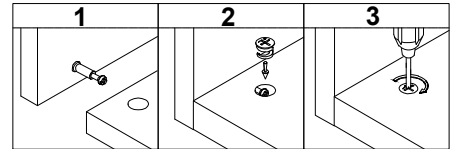
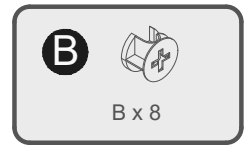


Step 6

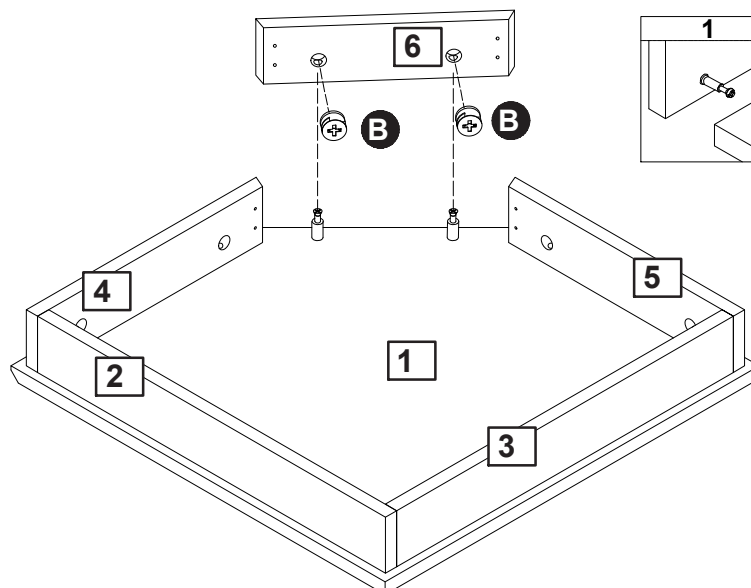
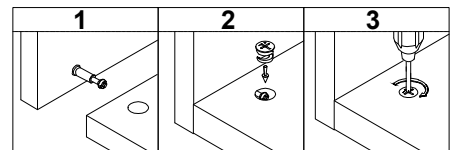


Assembly Instructions

Step 7

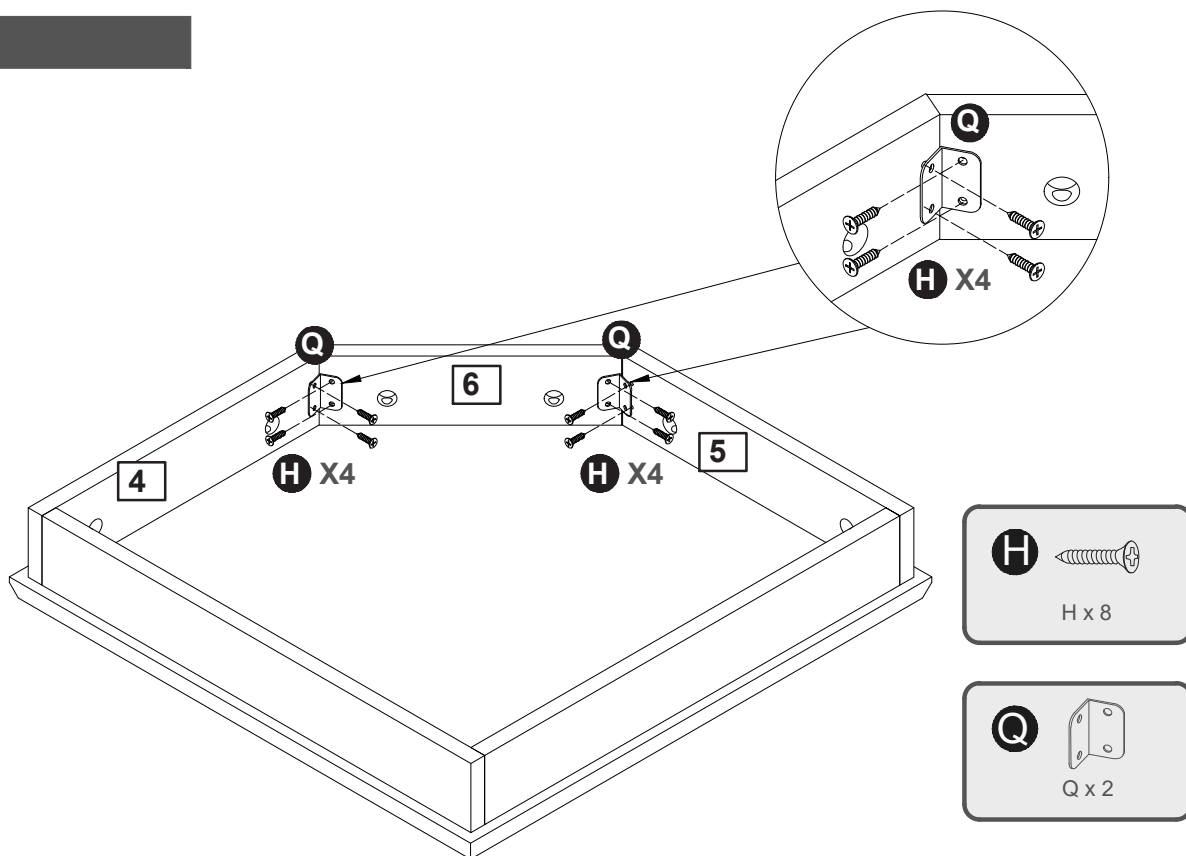


Step 8

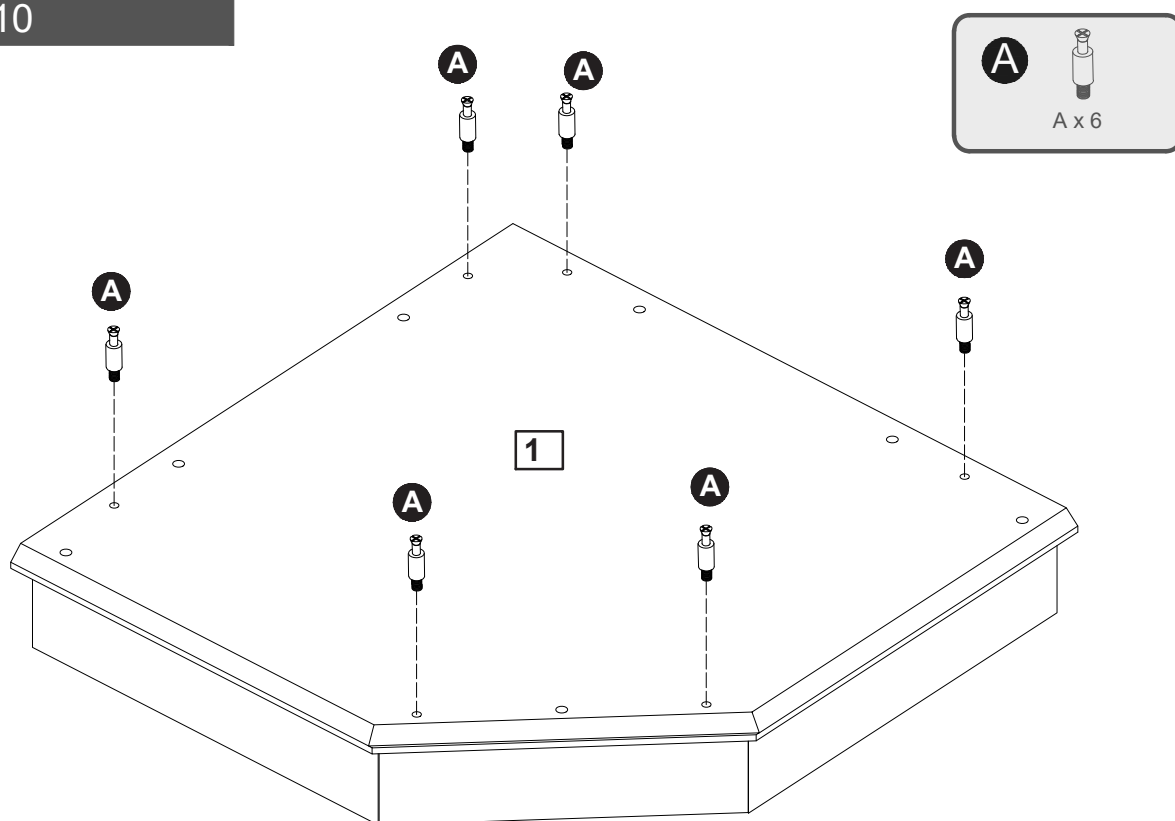


Assembly Instructions

Step 9

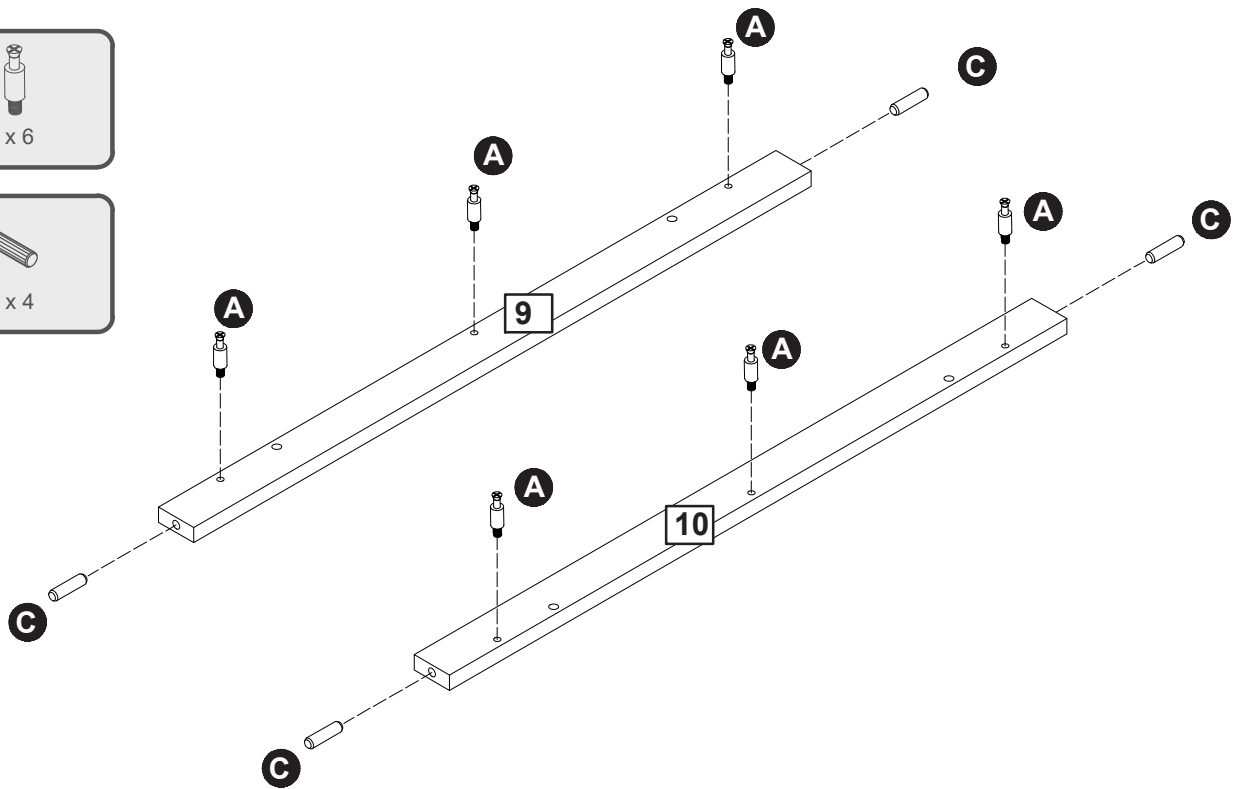
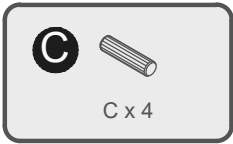
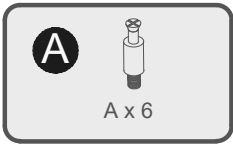


Step 10

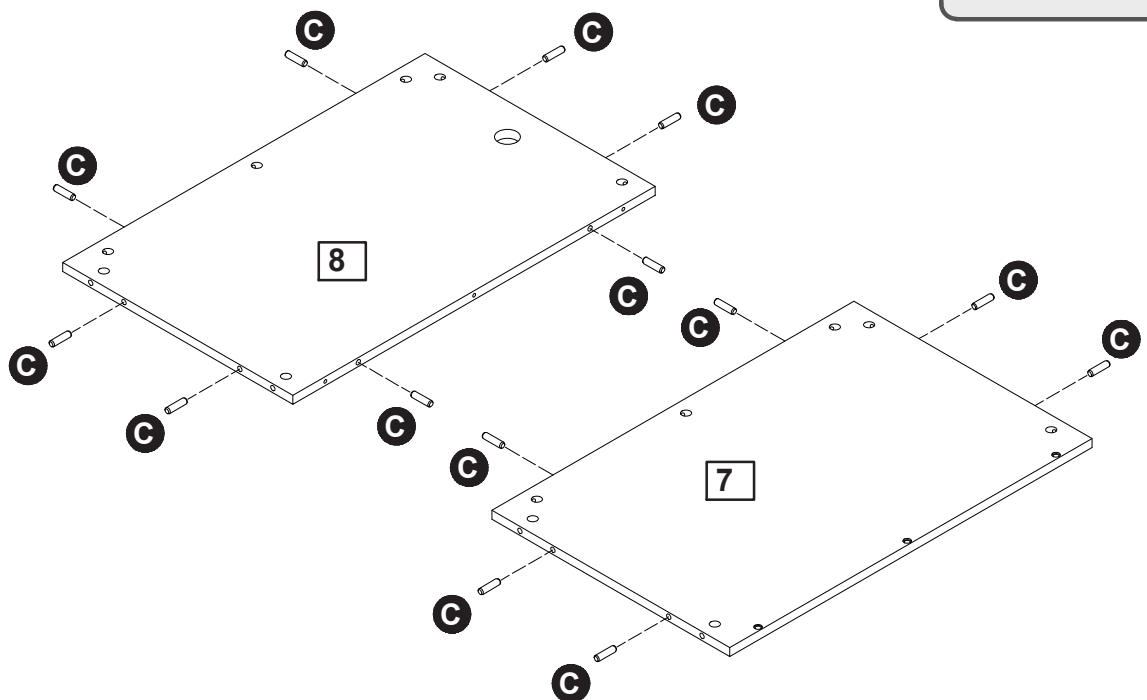
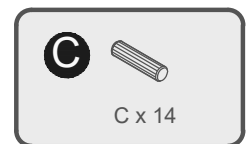


Assembly Instructions

Step 11

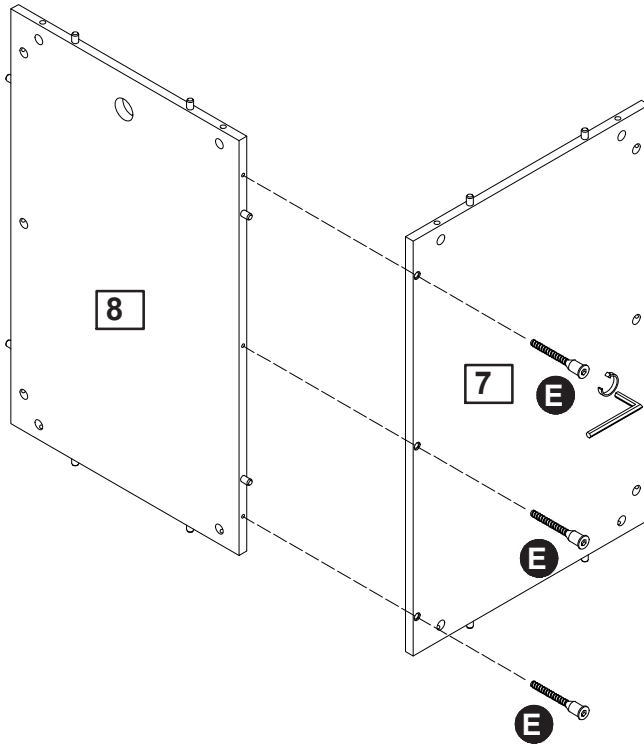


Step 12

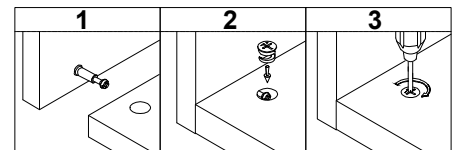
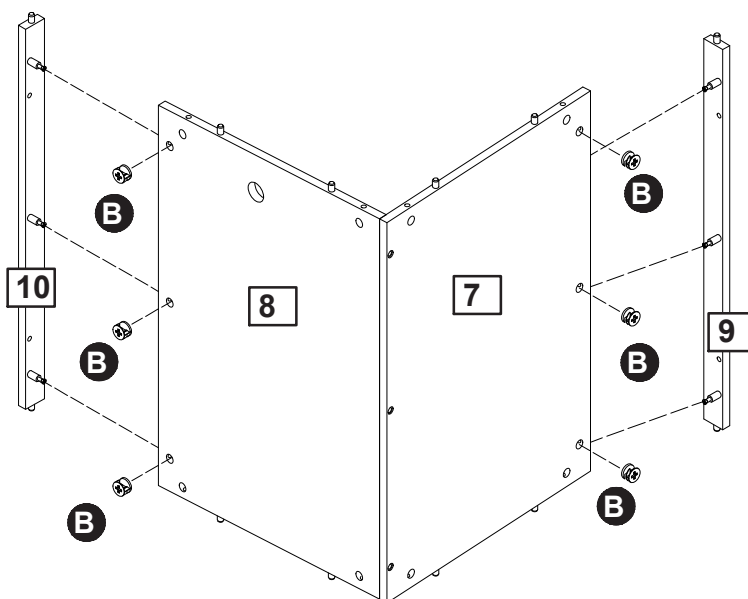


Assembly Instructions

Step 13

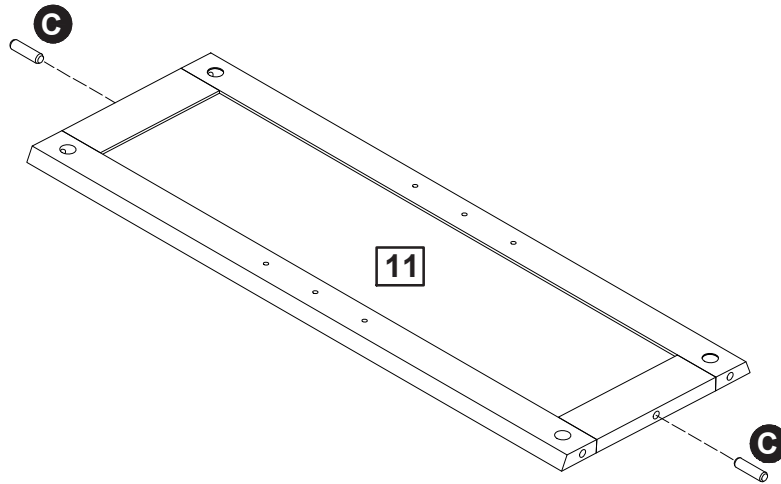
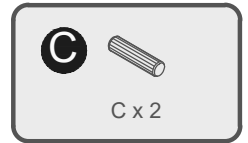


Step 14

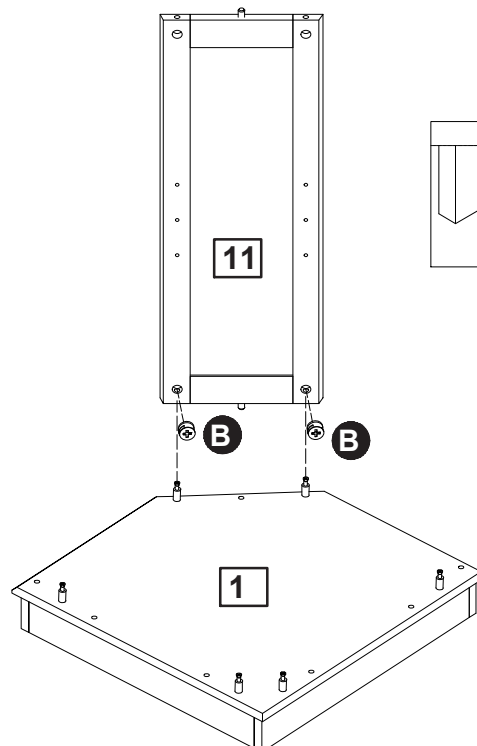
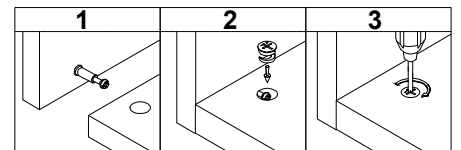
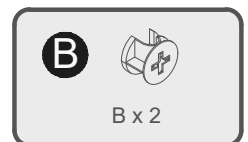


Assembly Instructions

Step 15

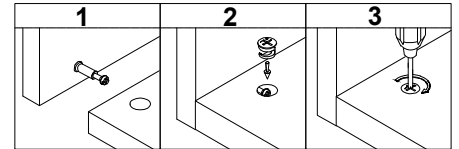
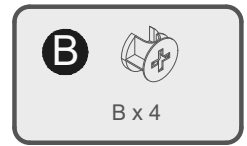
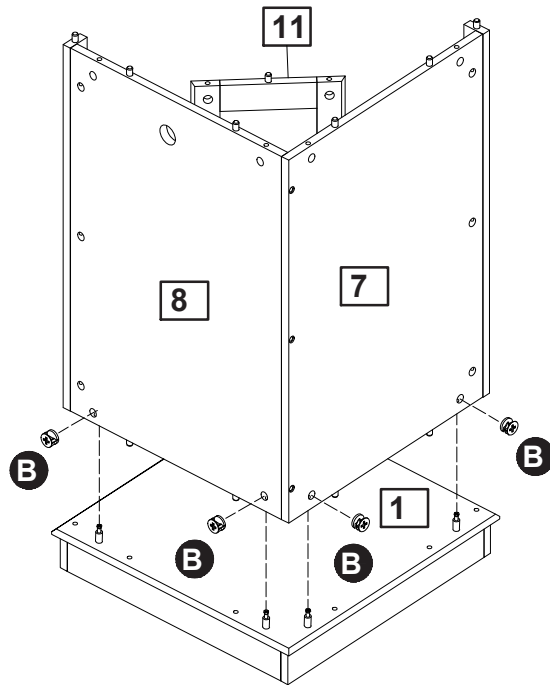


Step 16

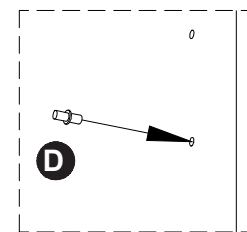
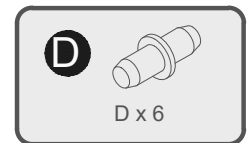
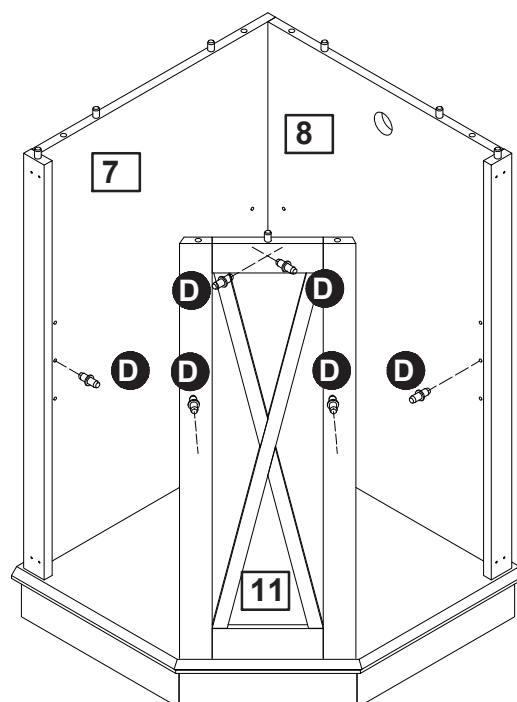


Assembly Instructions

Step 17

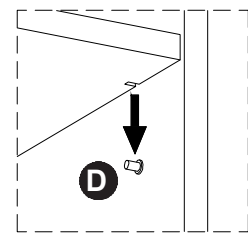
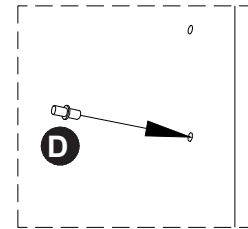
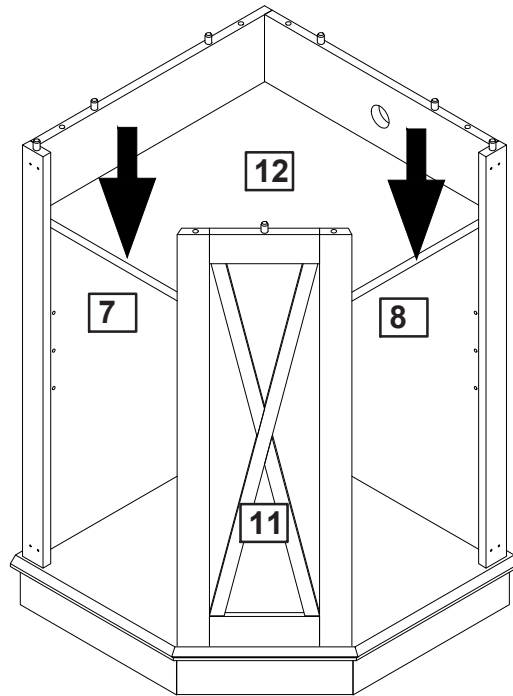


Step 18

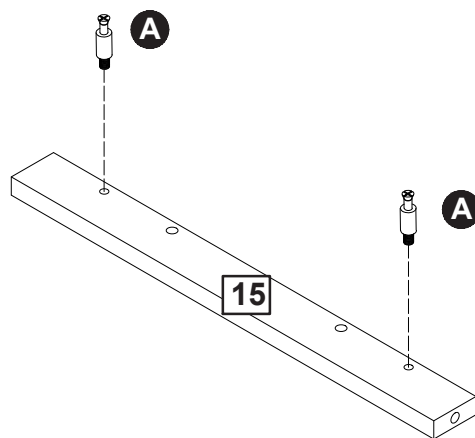
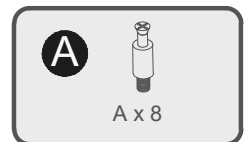


Assembly Instructions

Step 19



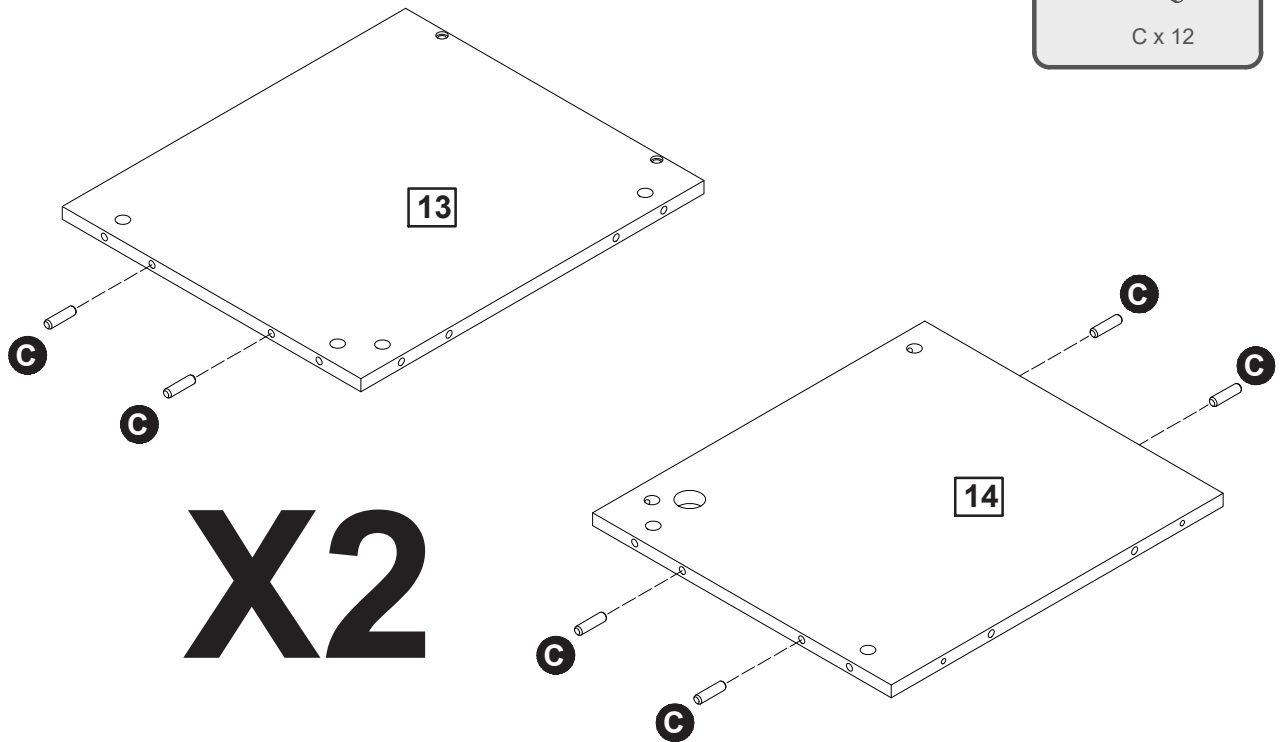
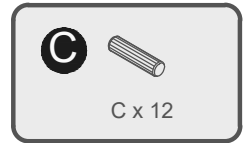
Step 20



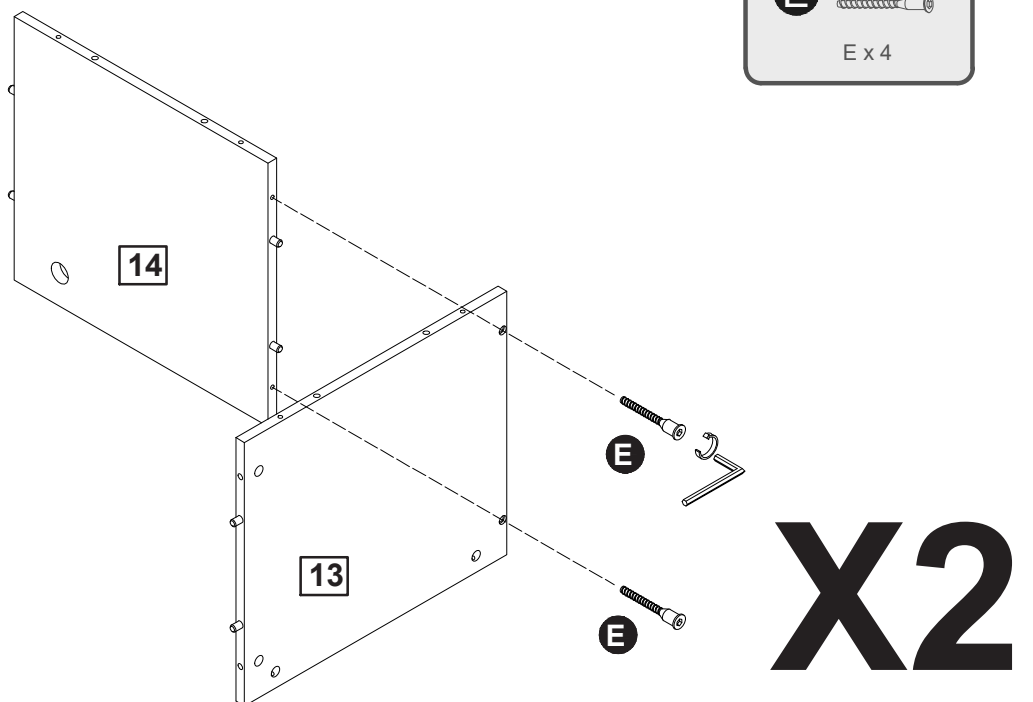
X4

Assembly Instructions

Step 21

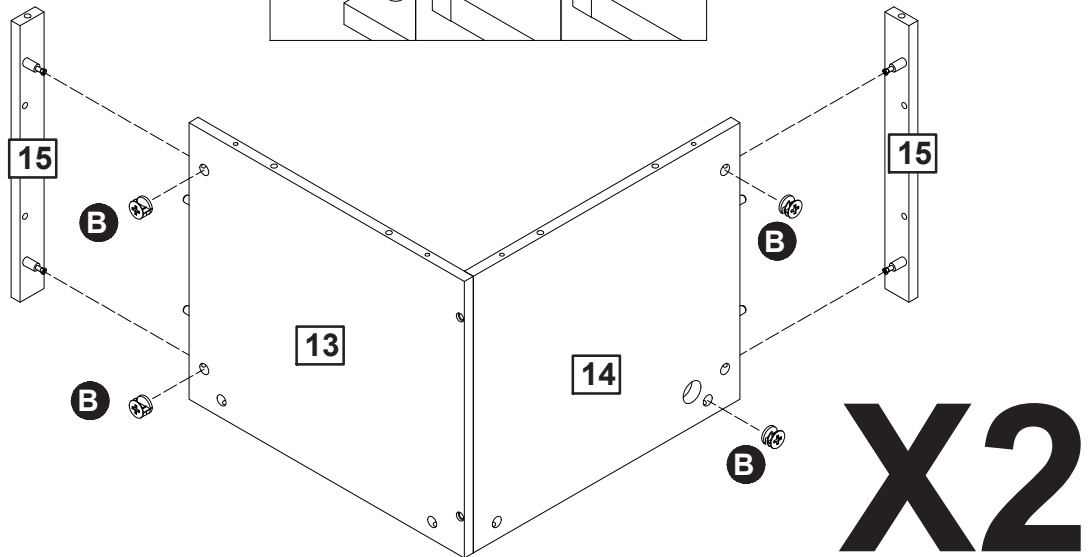
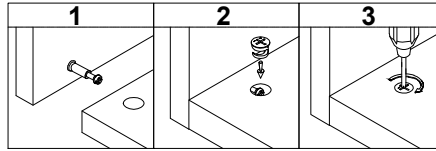


Step 22

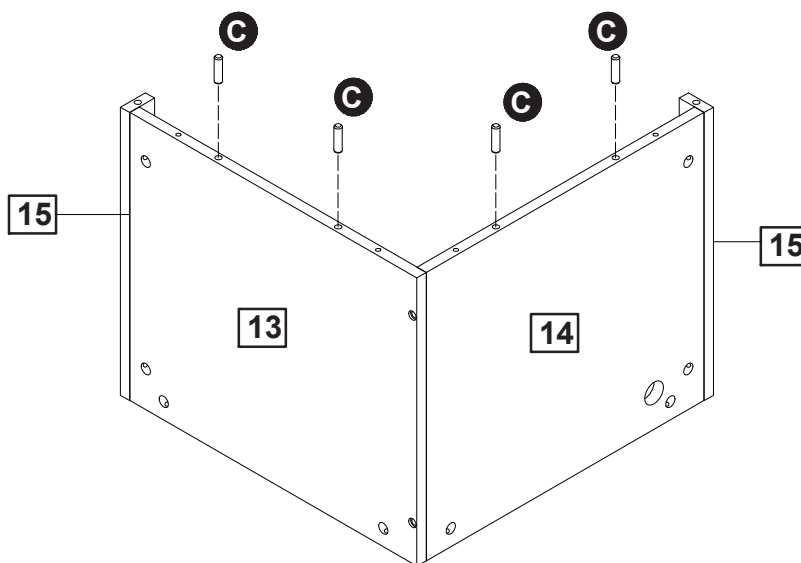
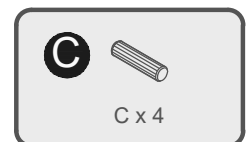


Assembly Instructions

Step 23

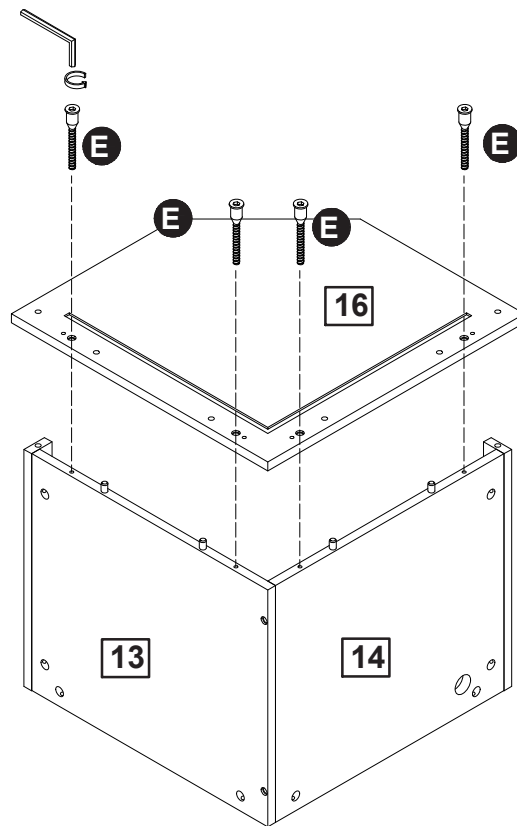


Step 24



Assembly Instructions

Step 25

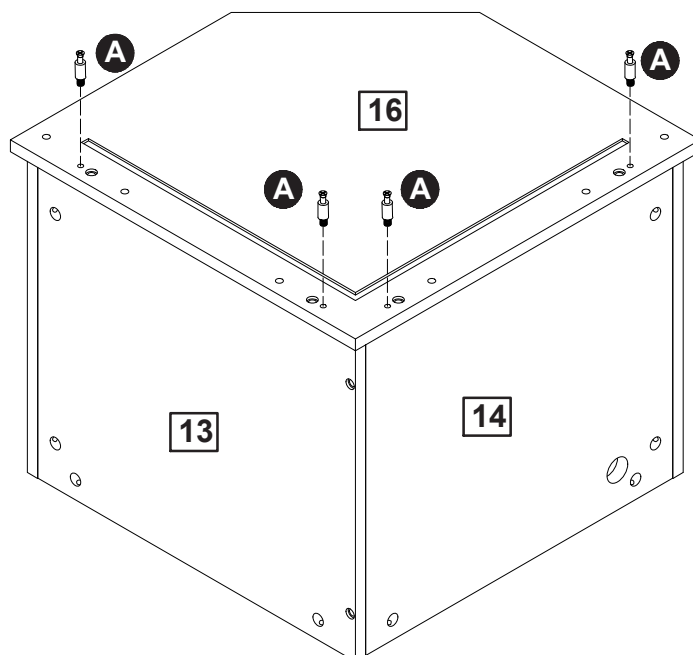


E



E x 4

Step 26



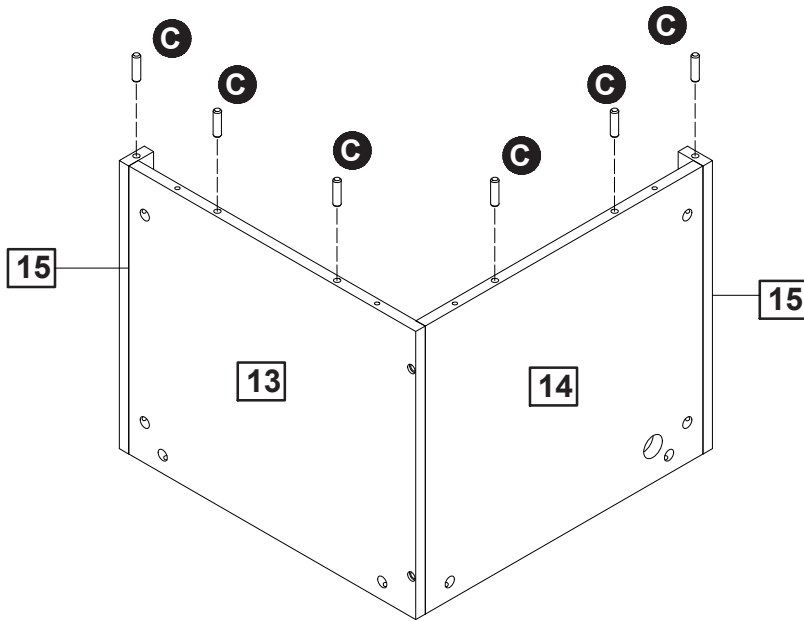
A



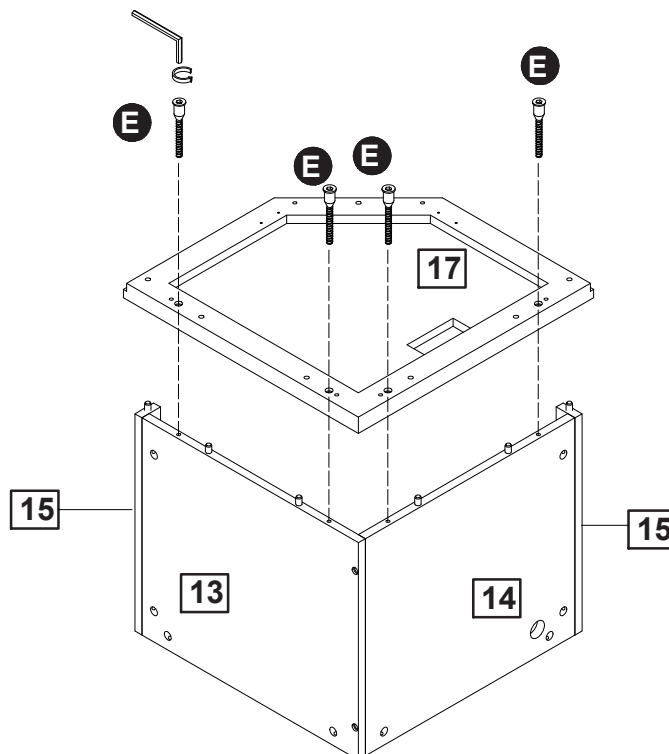
A x 4

Assembly Instructions

Step 27

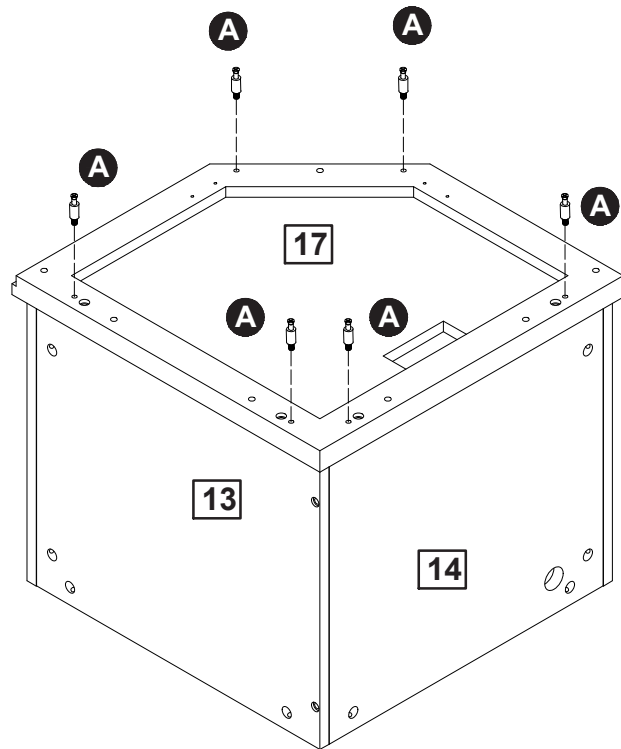
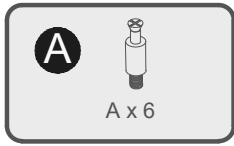


Step 28

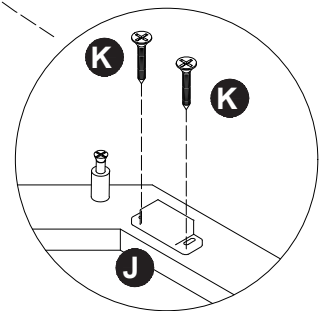
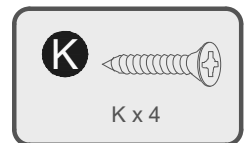
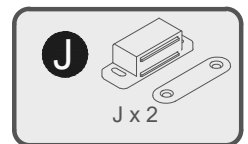
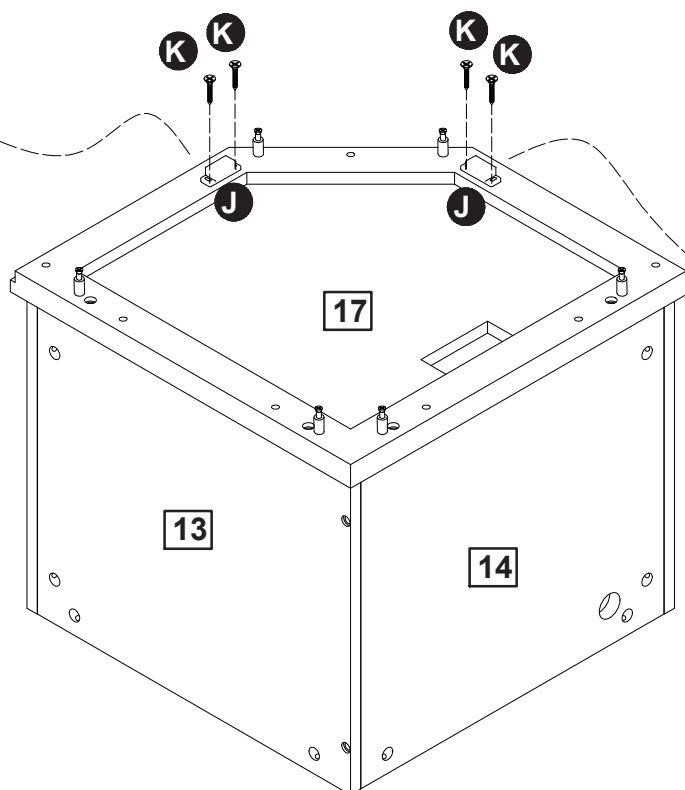
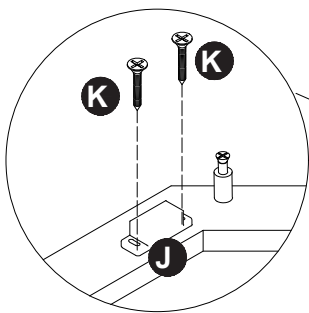


Assembly Instructions

Step 29

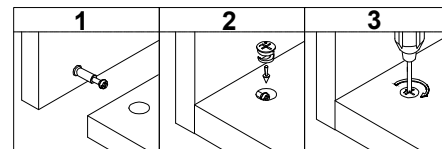
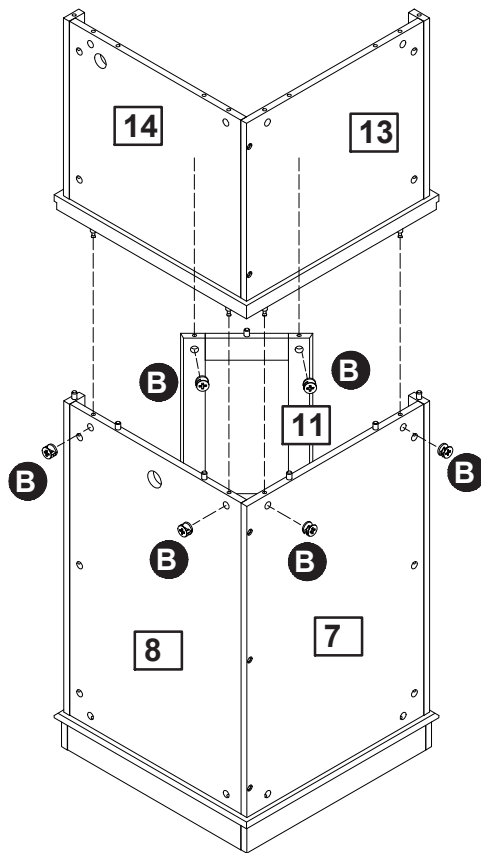


Step 30

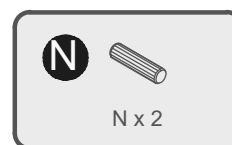
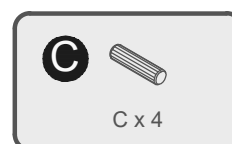
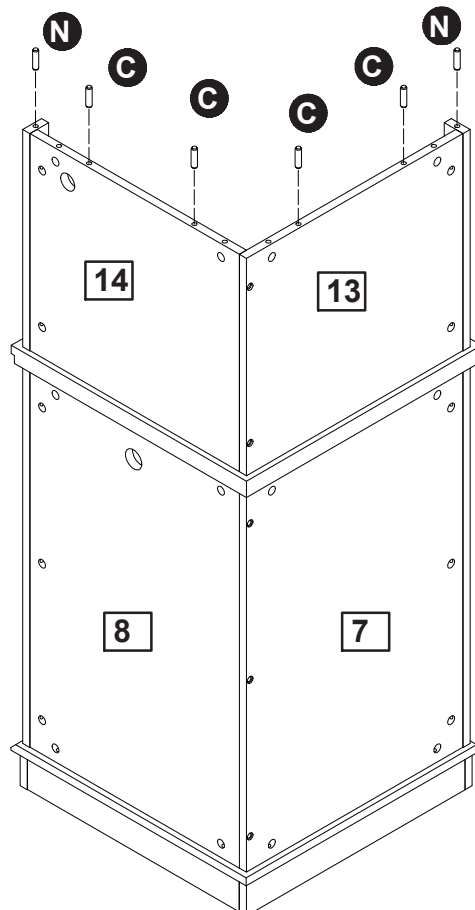


Assembly Instructions

Step 31

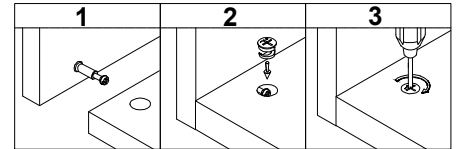
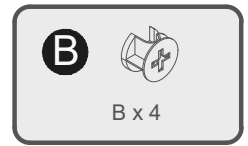
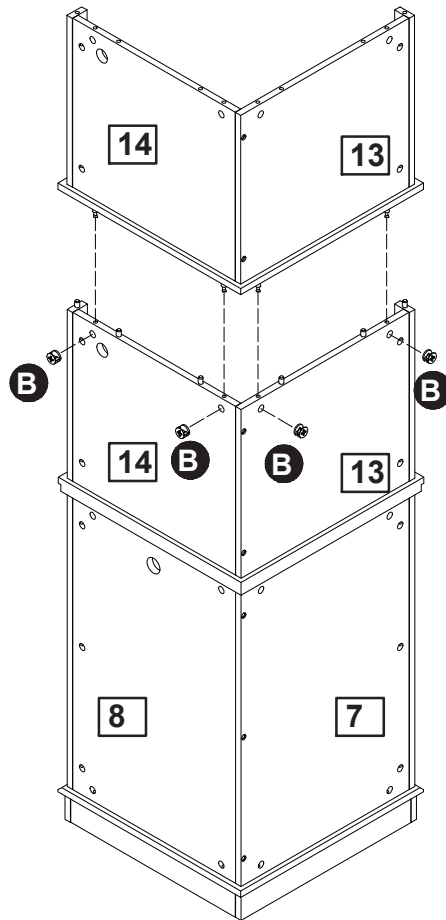


Step 32

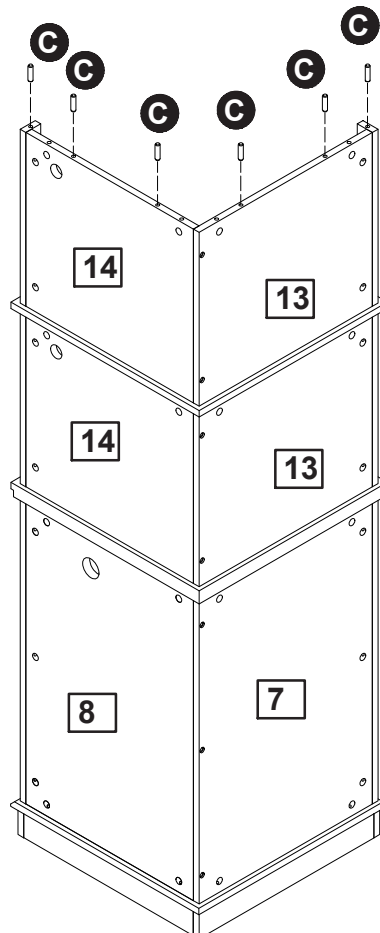


Assembly Instructions

Step 33

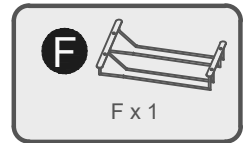
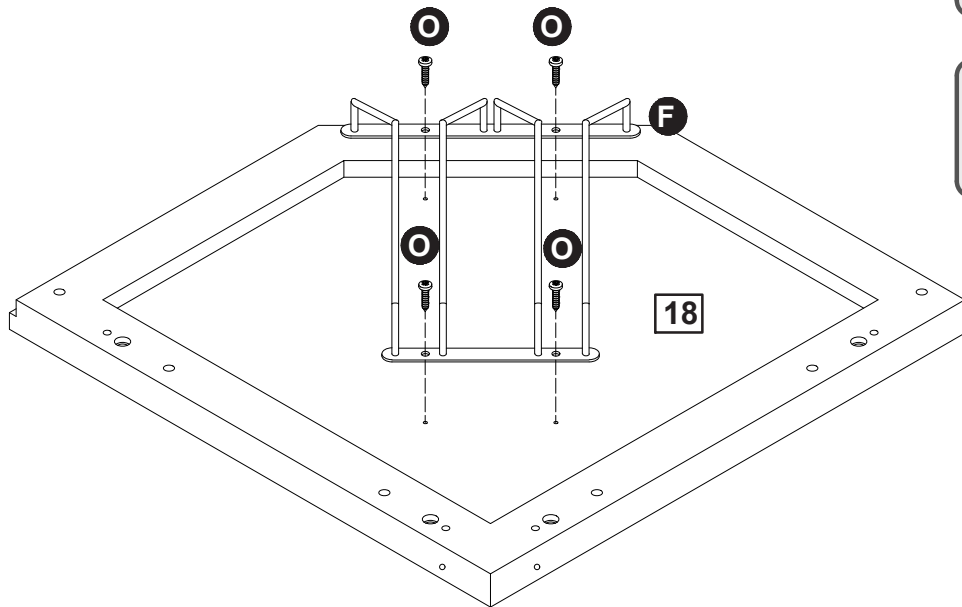


Step 34

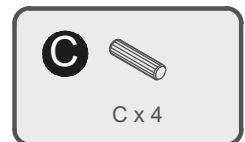
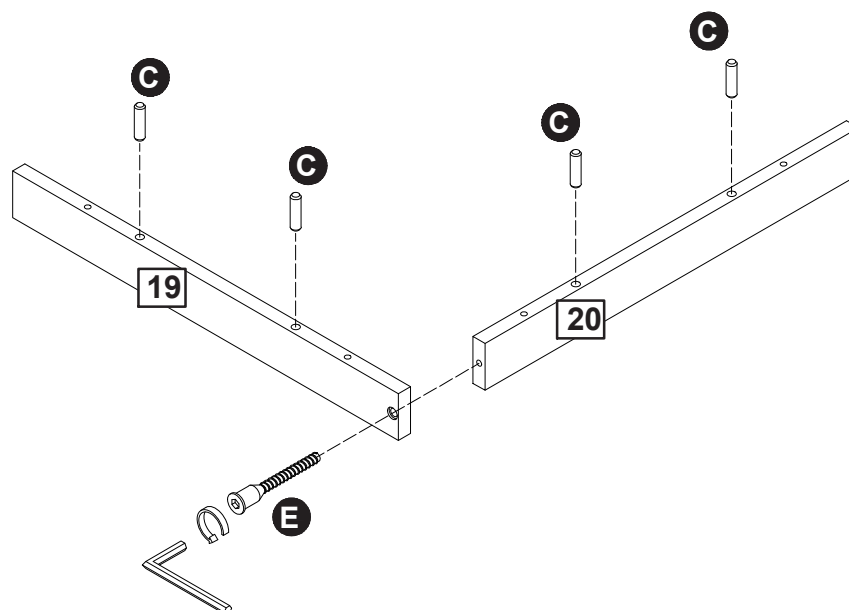


Assembly Instructions

Step 35

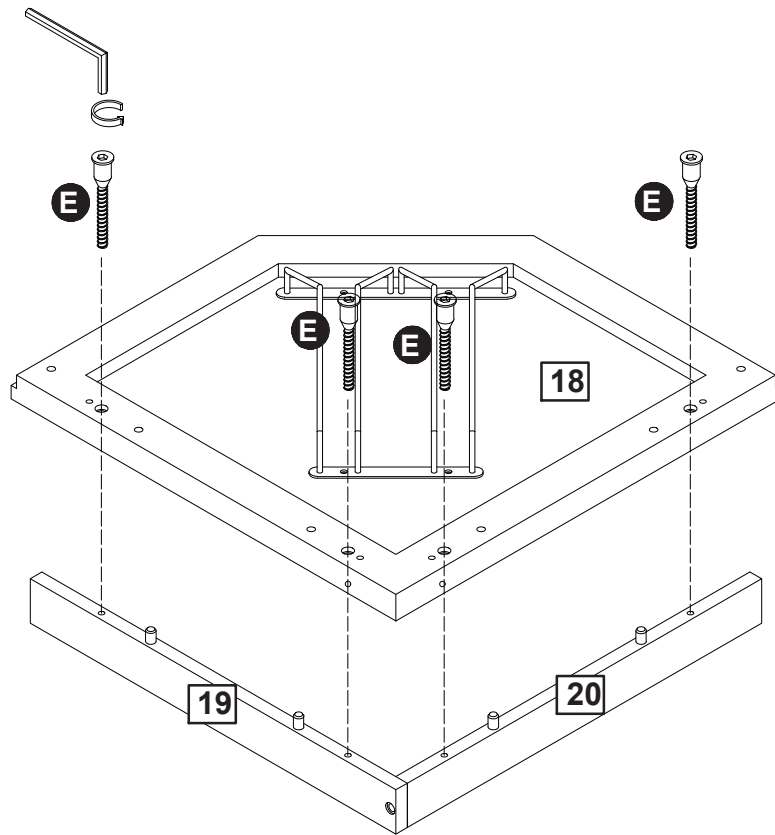


Step 36

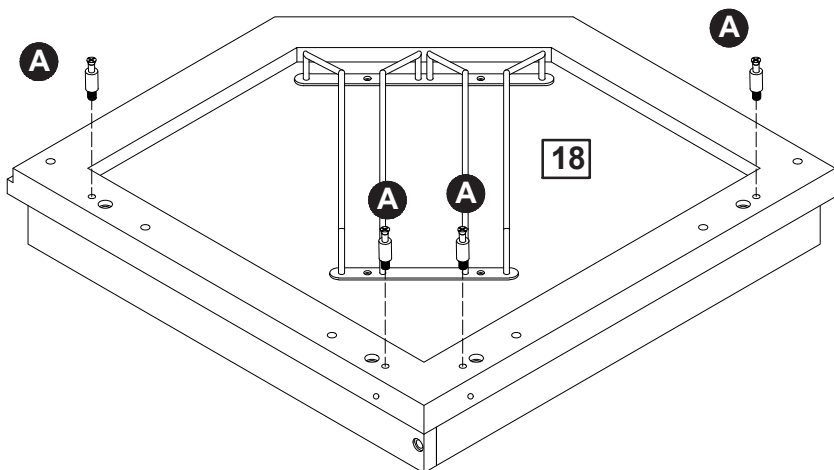
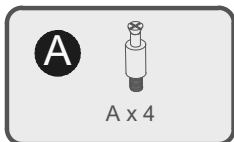


Assembly Instructions

Step 37

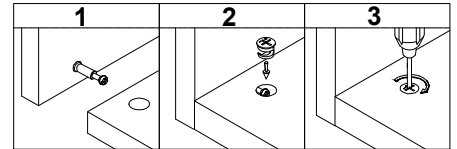
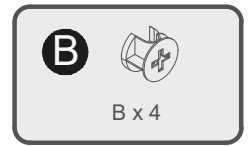
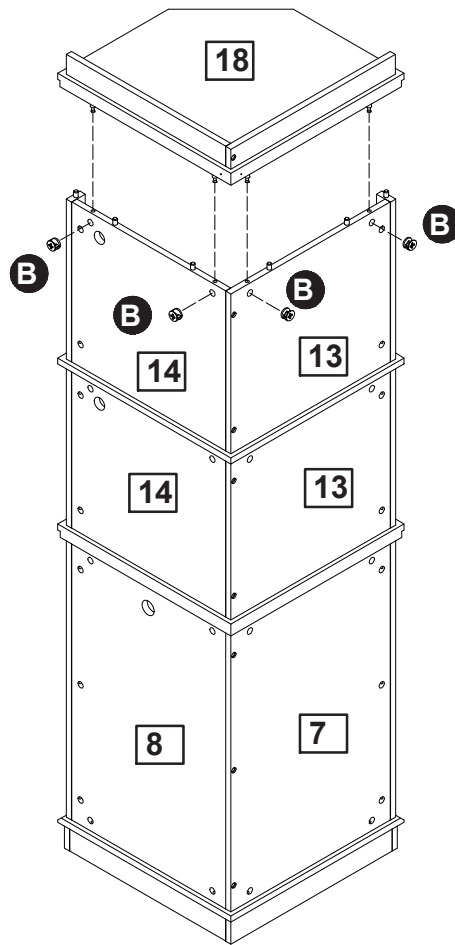


Step 38

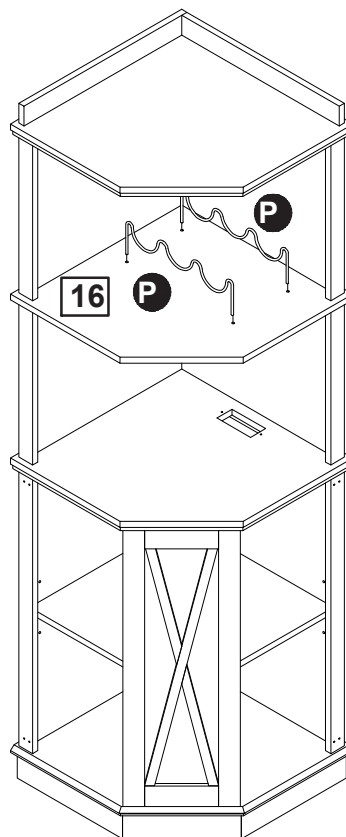


Assembly Instructions

Step 39

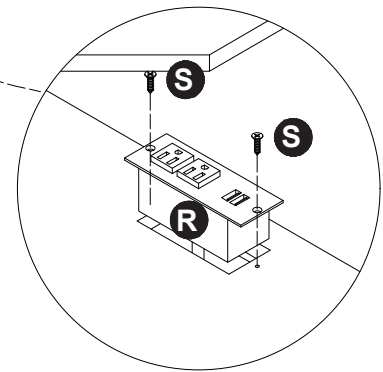
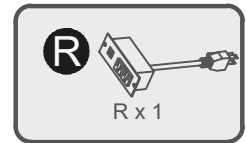
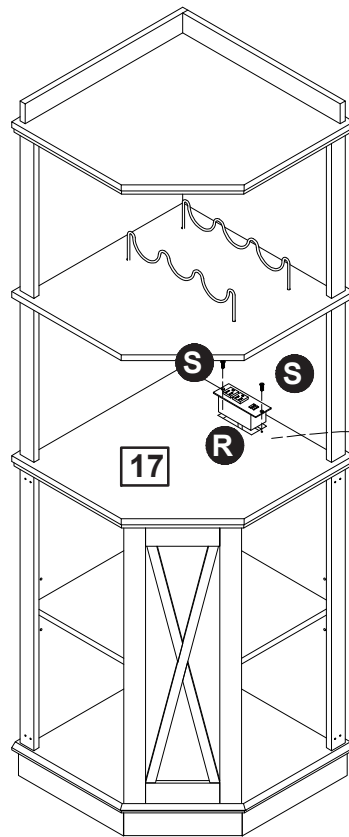


Step 40

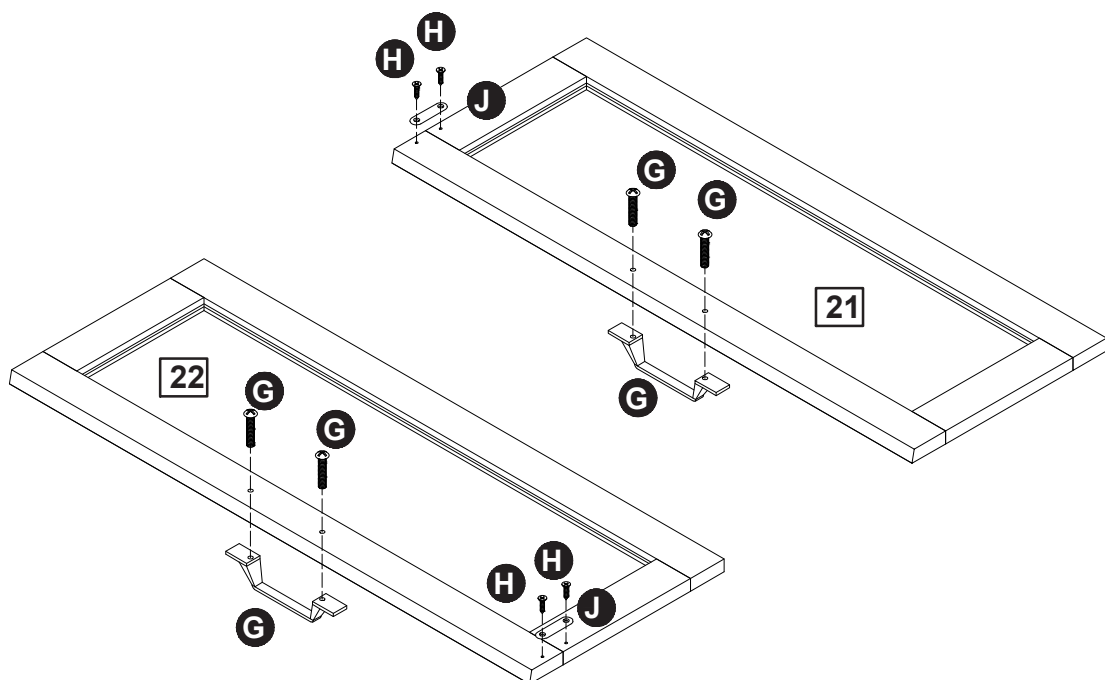
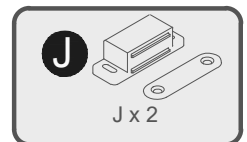
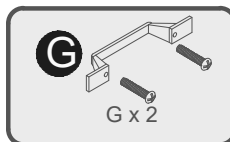


Assembly Instructions

Step 41

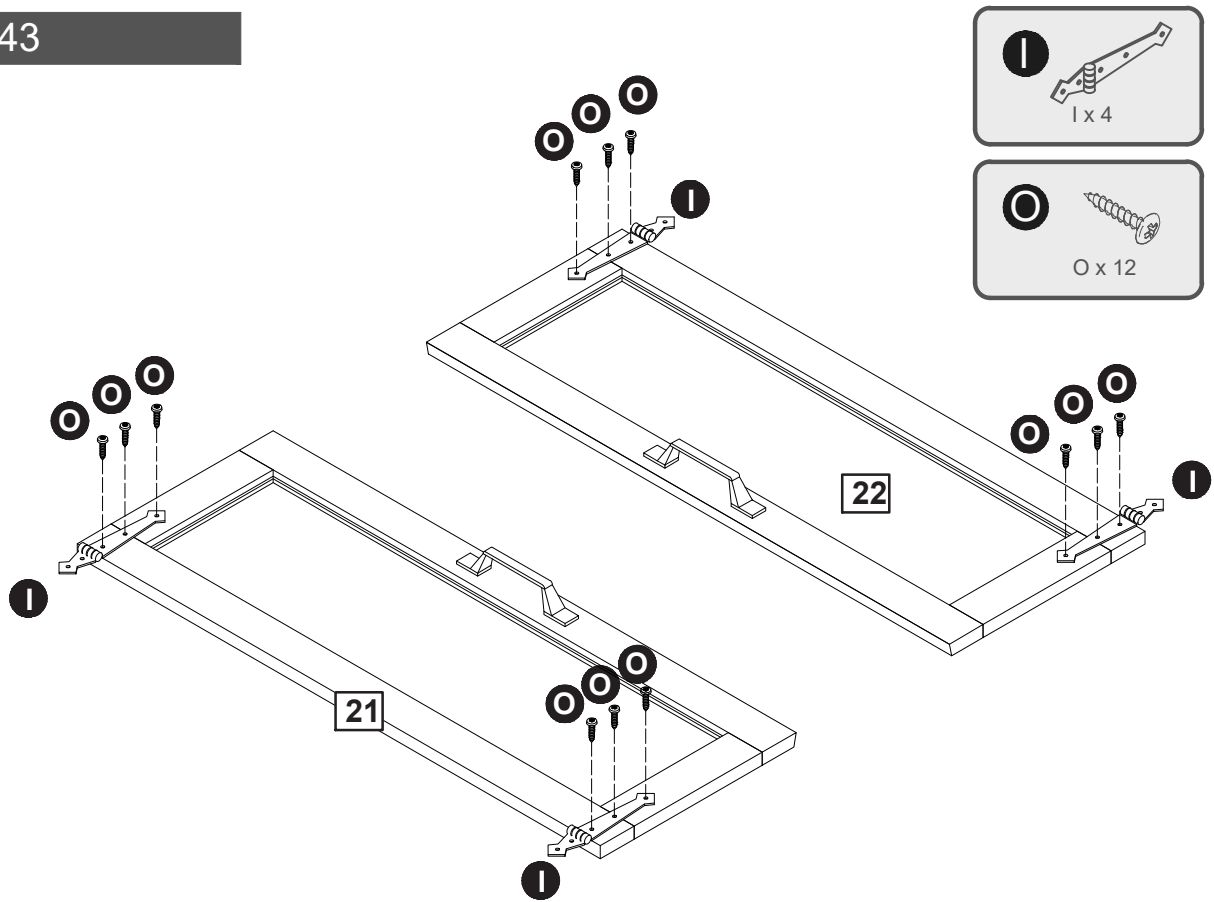


Step 42

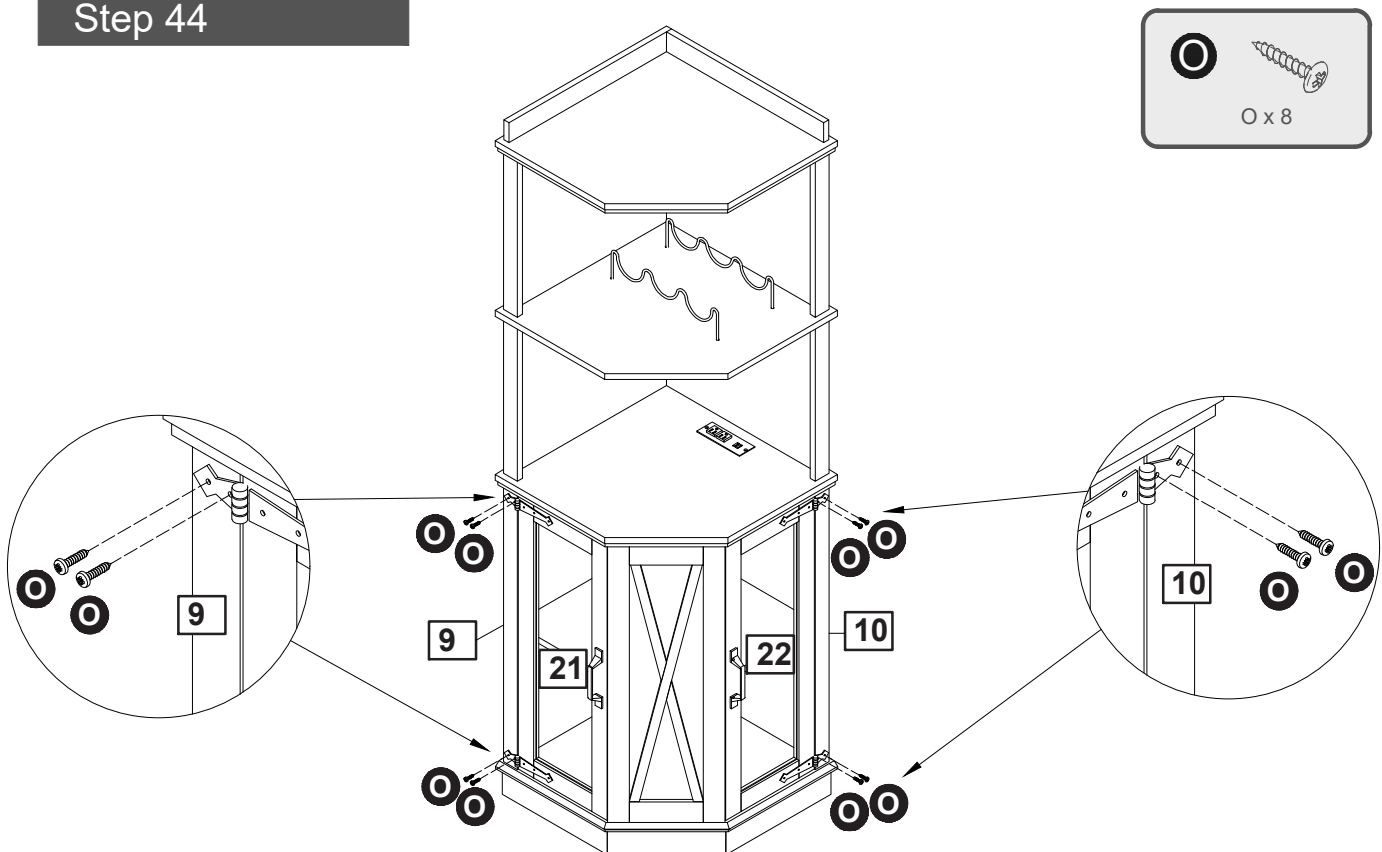


Assembly Instructions

Step 43



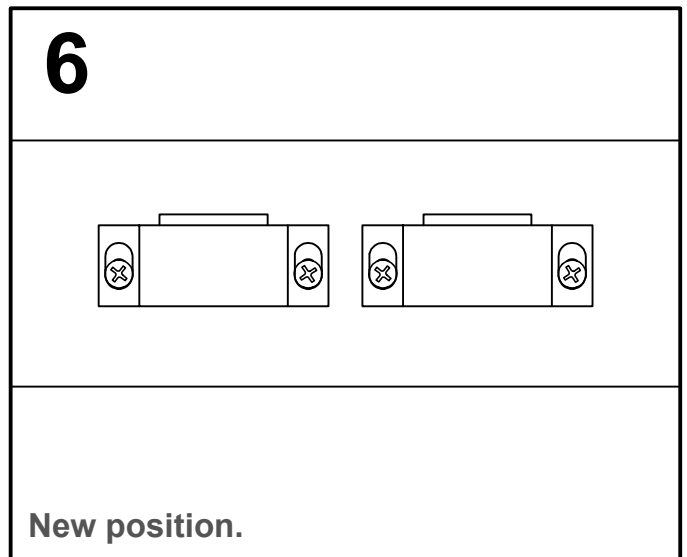
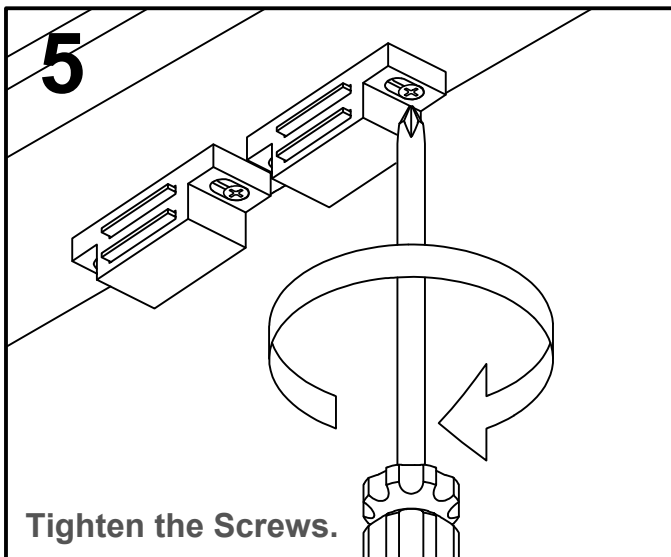
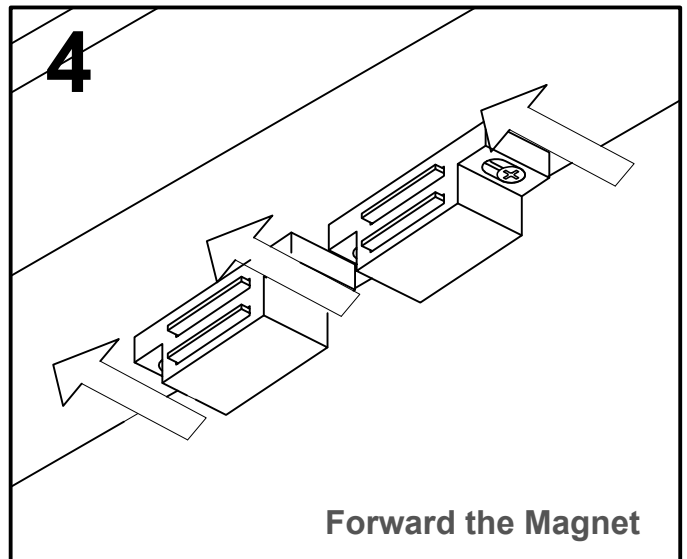
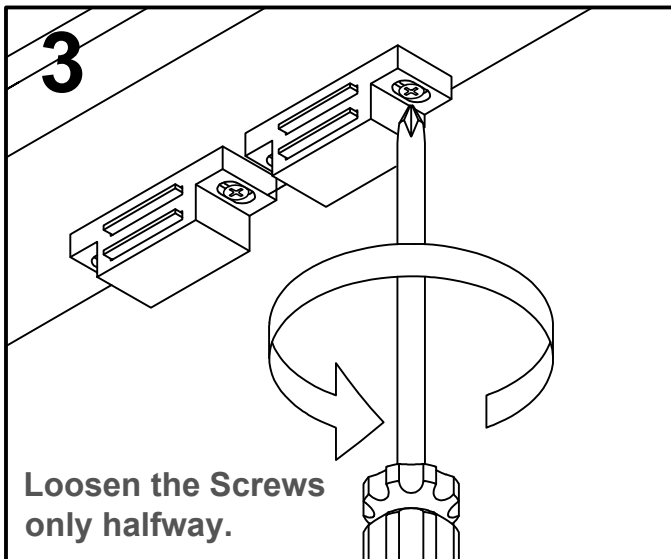
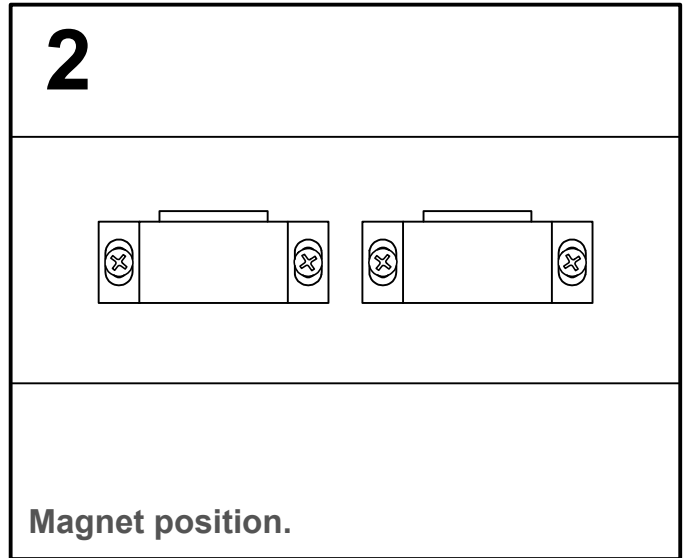
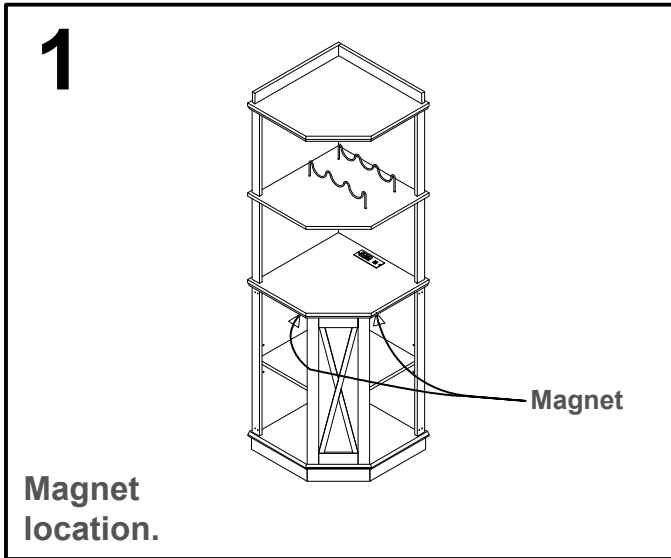
Step 44



Assembly Instructions

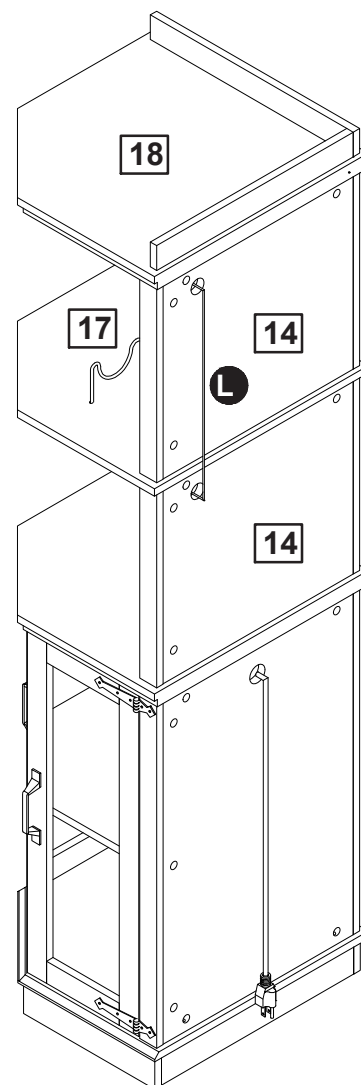
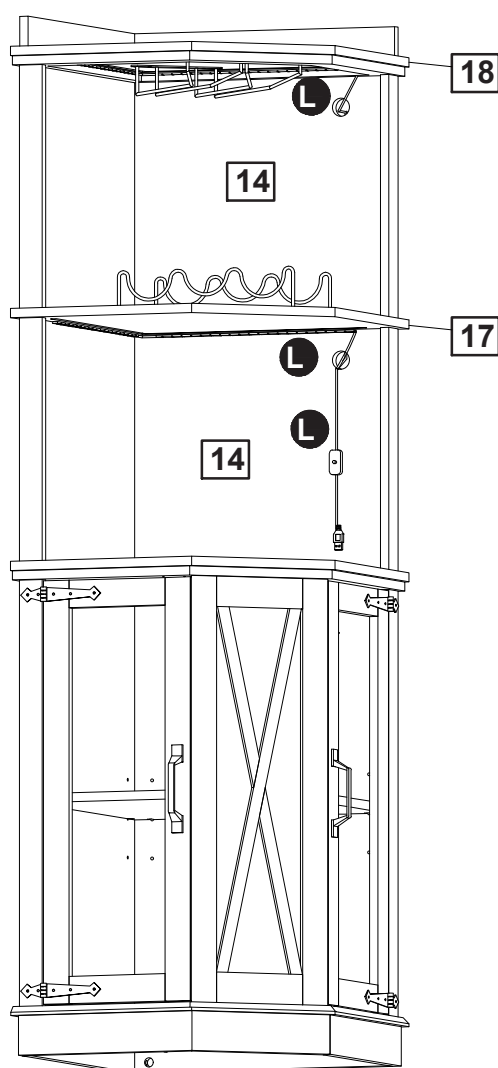
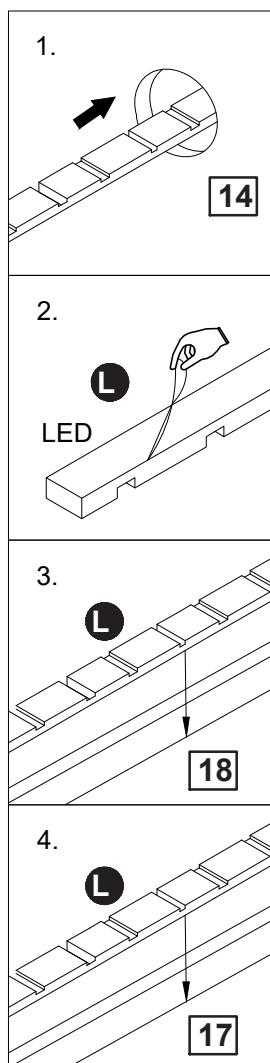
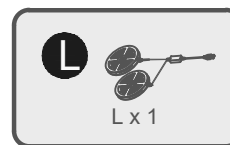
IMPORTANT NOTICE

*If the magnetic door catches are too weak to close, the magnetic power can be adjust the door made easier fo close by doing the following:



Assembly Instructions

Step 45



Assembly Instructions

Step 46

The unit is floor standing, but it is recommended that the unit is secured to the wall.

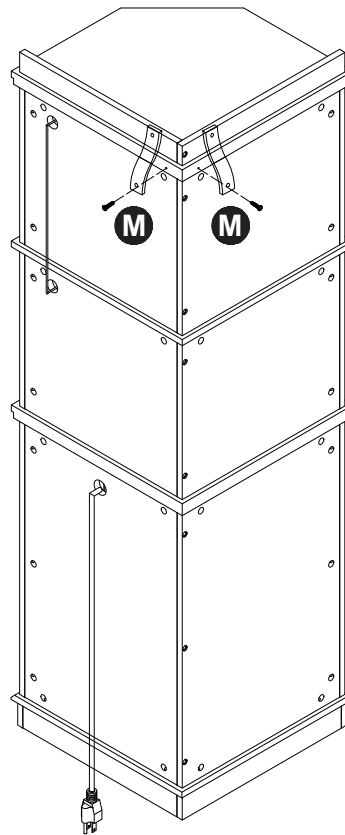
1. Move the unit into desired position.
2. Mark the wall with a suitable scribe the position of the fixing holes.



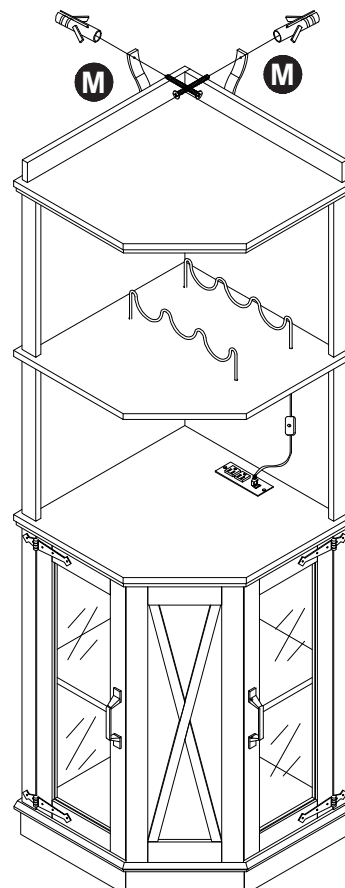
Warning:
Before drilling, check wall for hidden pipes and cables.

3. Drill holes and insert 2 x wall plug
4. Secure the 2 wall straps to the top of the unit using 2 washers and 2 screws.
5. Secure the straps to the wall using 2 x Washers and 2 x Screws

Note: To hide the straps behind the unit, drill the holes lower than the top of the unit



Wall Wall



Assembly is complete.