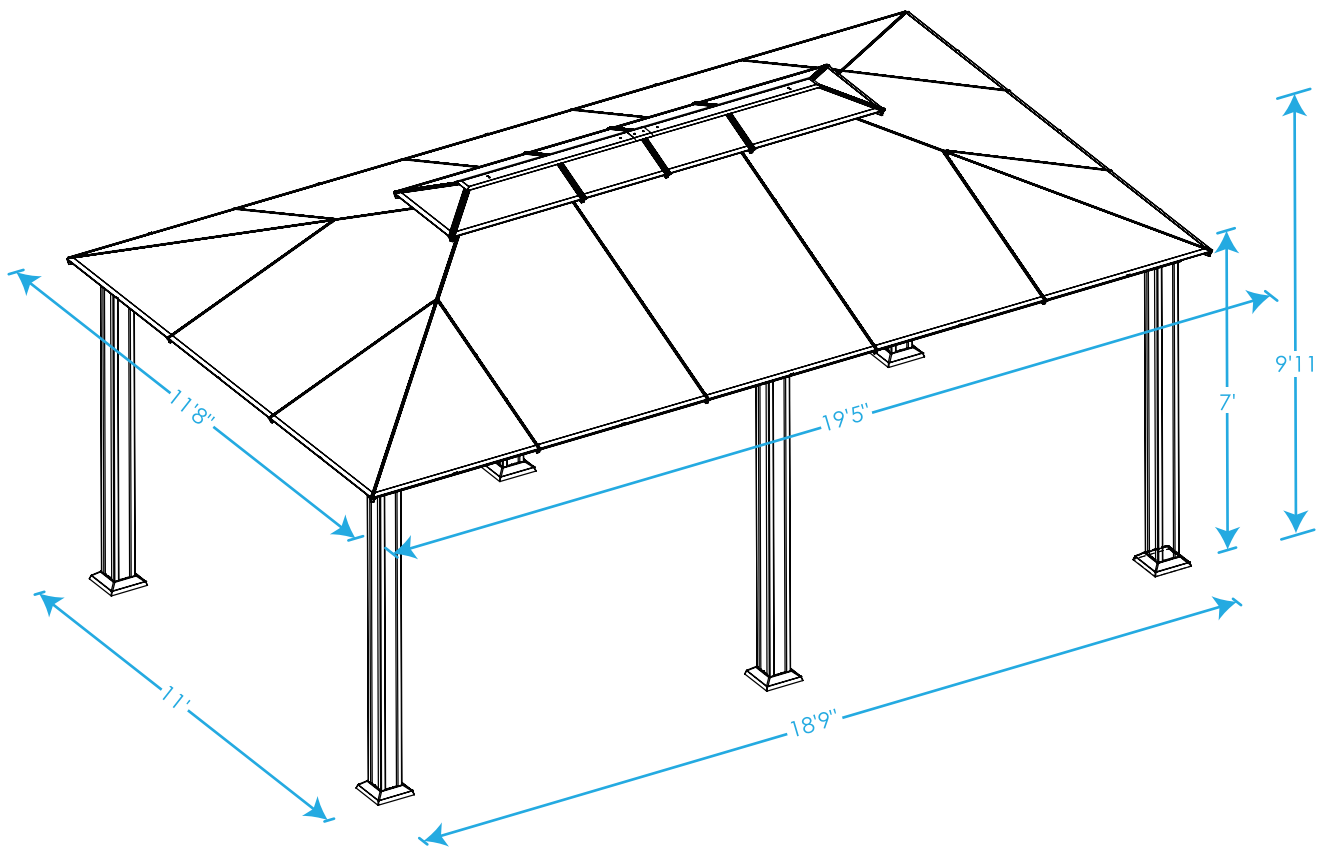




# Gazebo GZH3-1220BK

## Aluminium Composite Roof Panels

### Assembly Instructions

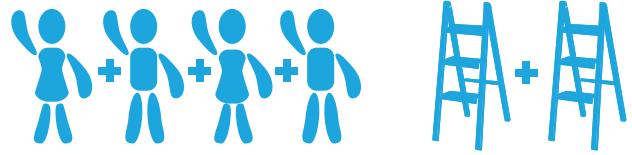


  @paragonoutdoorcompany

Paragon Group USA

Customer Service: (877) 782 4482 Email: cs-outdoors@paragongroupusa.com

# Introduction



Thank you for purchasing the Gazebo GZH3-1220BK.

When properly assembled and maintained, this gazebo will provide many years of enjoyment!

These instructions include helpful hints and important information needed to safely assemble and properly maintain the gazebo. Please read these instructions completely before you begin.

Our patented gazebo has been designed for easy assembly. All steps can be completed by a team of four people. The assembly should take about four hours.

## Before Starting Assembly:

CAREFULLY READ ALL THE INSTRUCTIONS BEFORE YOU BEGIN AND FOLLOW THE STEPS IN THE ORDER THEY ARE PRESENTED.

### 1. Make sure you have all the necessary parts:

Compare the contents of all cartons to the List of Parts. If any parts are missing or damaged, or you have any questions, please contact Customer service: (877)782 4482 before beginning assembly.

### 2. Lay the parts out in separate staging areas:

The List of Parts has the corresponding step number referenced to each part. We recommend that while you go through the list, make staging areas for each step and place the parts necessary for each step in these areas. This will save you time and effort during assembly.

### 3. Select a Location:

When selecting a location for your gazebo, a flat level area is essential and if possible with proper water drainage and easy access to power and water, if necessary.

Choose a sunny, level position away from overhanging trees and power lines and protected from the wind as much as possible. Locate underground pipes or cables before preparing the site or anchoring the gazebo.

Note: You may assemble the gazebo on a hard level surface and move it to its final location when finished. Make sure that there are no obstacles between the assembly area and the final position.

### 4. Prepare a Foundation:

After choosing a location, proper preparation of the site is recommended. The site must be level.

If the site is not level, create a base slightly larger than the outside dimensions of the gazebo using a perimeter of two by fours filled with either soil, sod or gravel.

Make sure the base is square by measuring the diagonals from both directions and making sure they are equal. The gazebo is secured with pegs into holes cast with concrete.

If you decide to have a concrete base, it is best to contact a reliable contractor to make sure it is flat and level. Make sure you have checked with your local authorities regarding any required building permits.

### 5. Make sure you have the proper tools:

- Tape Measure
- Work Gloves
- Safety goggles
- Phillips Screwdriver
- Spirit Level
- 2 Small Step Ladders
- Wooden Mallet
- Scissors and knife
- Liquid soap or WD40 Lubricant
- Hex Key

NOTE: A cordless drill with Phillips head bit is highly recommended but not essential.

## Safety Advice

- The gazebo must be positioned and fixed on a flat level surface.
- Dispose of all plastic bags safely. Keep them out of the reach of children.
- Keep children and pets away from the assembly area until the work is completed.
- Always wear shoes, gloves and safety goggles when working.
- Take special care not to touch overhead power lines with the aluminium profiles.
- Do not attempt to assemble the gazebo in windy or wet conditions.
- Do not position your gazebo in an area exposed to excessive wind.
- If using power tools or a ladder, always follow the manufacturers safety instructions.
- Hot items such as recently used grills, blowtorches etc. must not be stored in the gazebo.
- Make sure the gazebo complies with local building codes.

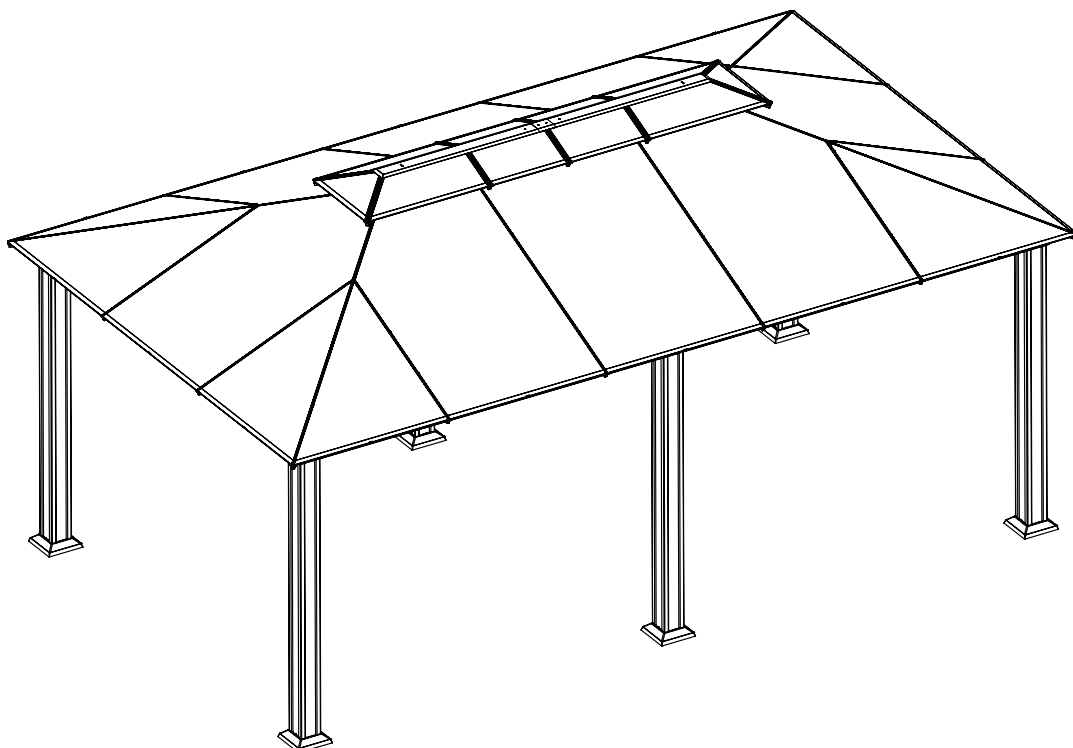
## Table of Contents

Introduction.....	2
Table of Contents.....	3
List of Parts.....	4
<b>Step 1</b> : Assembling the Corner Profiles and Middle Profiles.....	7
<b>Step 2</b> : Assembling the Rails .....	9
<b>Step 3</b> : Assembling the Rails to the Corner Profiles and Middle Profiles.....	11
<b>Step 4</b> : Securing the Gazebo to the ground..	14
<b>Step 5</b> : Installing the Lower Roof Gable Profiles and Roof Top Cover.....	15
<b>Step 6</b> : Attaching the Corner Profile Caps ..	23
<b>Step 7</b> : Installing the Roof Panels and Upper Roof Profiles.....	25
<b>Step 8</b> : Installing the Plastic Caps.....	34



### **ATTENTION:**


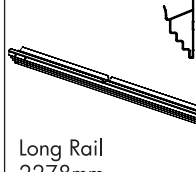

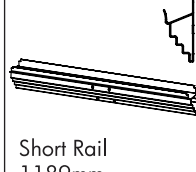
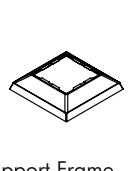
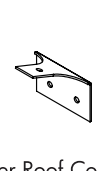
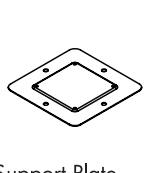
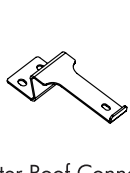
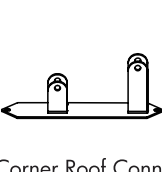
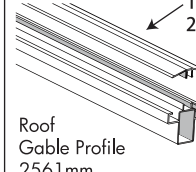
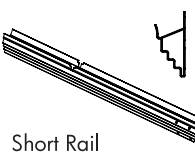
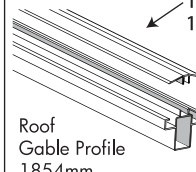
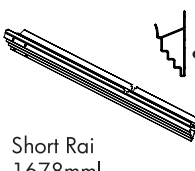
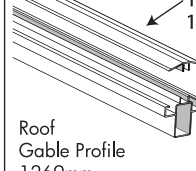
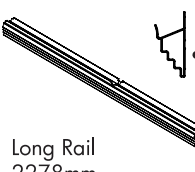
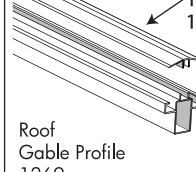
DO NOT ATTEMPT TO  
ASSEMBLE THE GAZEBO  
ALONE!



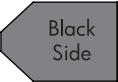
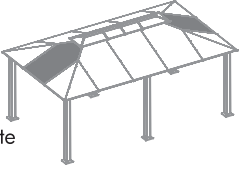
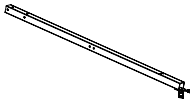
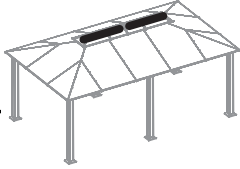
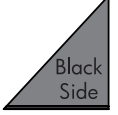
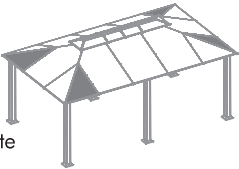
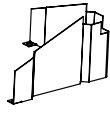
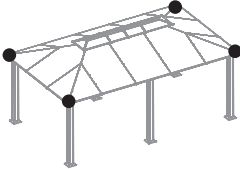
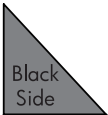
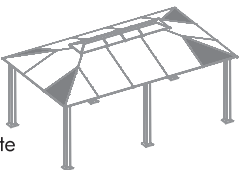
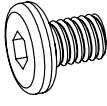
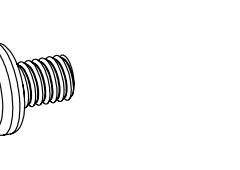
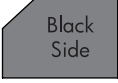
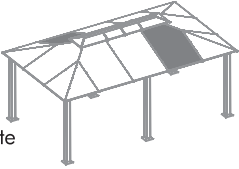
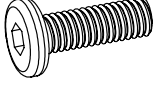
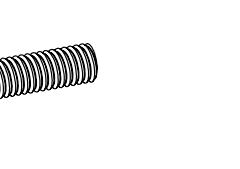
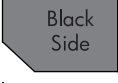
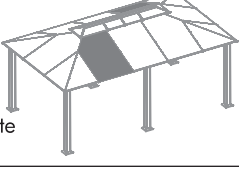
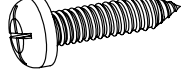
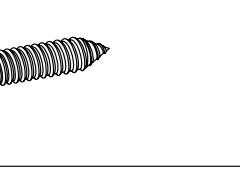
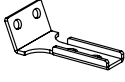
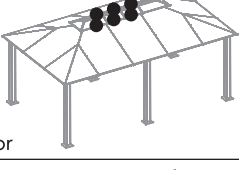

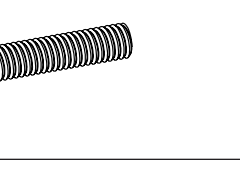

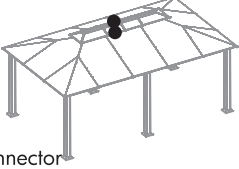

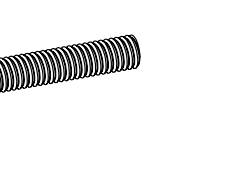

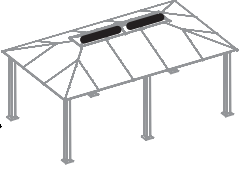
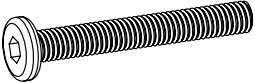
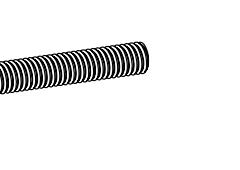


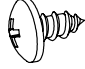

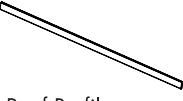
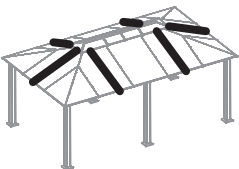
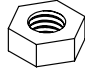
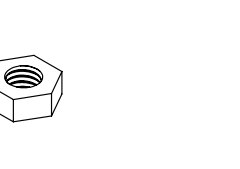
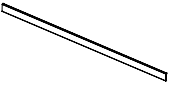

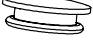
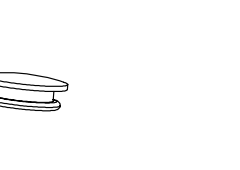
# List of Parts

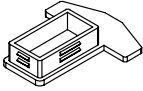
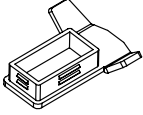

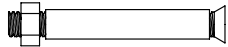
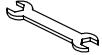
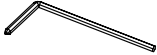

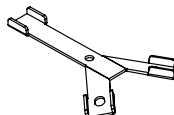
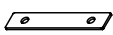
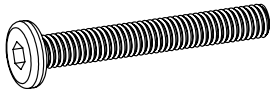
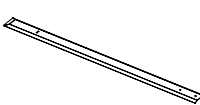
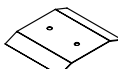



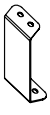
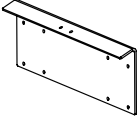
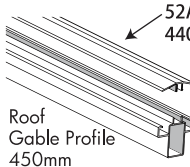
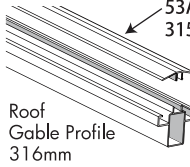

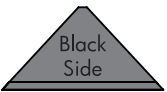
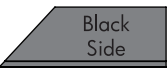
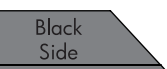

The gazebo is shipped in four cartons. These cartons are heavy. Be careful when lifting them. Wear proper safety gear including work shoes, gloves and goggles. The parts are identified by removable stickers. Place all the parts for each step in staging areas, checking that you have all parts as you go. If any parts are missing or damaged, contact customer service before beginning assembly:  
**Customer Service:(877) 782 4482 Email:cs-outdoors@paragongroupusa.com**

No.	Part	Qty	Step	No.	Part	Qty	Step
1	 Corner Profile 2190mm	4	1	8	 Long Rail 2278mm	2	2
1A	 Middle Profile 2293mm	2	1	8A	 Short Rail 1189mm	2	2
2	 Support Frame	6	1	9	 Inner Roof Connector	20	2,3
3	 Support Plate	6	1	10	 Outer Roof Connector	16	2
4	 Corner Roof Connector	4	1	11	 Roof Gable Profile 2561mm	4 4	5,7
5	 Short Rail 1678mm	2	2	12	 Roof Gable Profile 1854mm	4 4	5,7
6	 Short Rail 1678mm	2	2	13	 Roof Gable Profile 1269mm	4 4	5,7
7	 Long Rail 2278mm	2	2	14	 Roof Gable Profile 1269mm	4 4	5,7



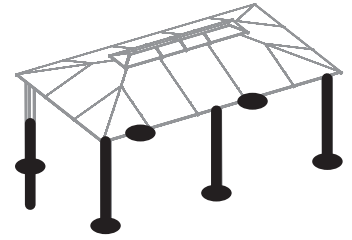
No.	Part	Qty	Step	No.	Part	Qty	Step
15	 Aluminium Composite Roof Panel 	2	7	26	 Roof top connector Beam 	2	5
16	 Aluminium Composite Roof Panel 	4	7	27	 Corner Cap 	4	6
17	 Aluminium Composite Roof Panel 	4	7	28	 Screw M6*8mm 	48	2
18	 Aluminium Composite Roof Panel 	2	7	29	 Screw M6*18mm 	212	2,3,5
19	 Aluminium Composite Roof Panel 	2	7	30	 Screw M6*25mm 	40	1,6
20	 Top center connector 	12	5	31	 Screw M6*33mm 	8	5
21	 Roof Top Profile connector 	2	5	32	 Screw M6*38mm 	96	5,7
22	 Lower Roof top connector Beam 	2	5	33	 Screw M6*45mm 	8	5
23	 U-shaped Connector 	2	5	34	 Screw M4*8mm 	16	7
24	 Roof Profile 1702mm 	6	5	35	 Nut M6 	32	3,5
25	 Roof Profile 1683mm 	2	5	36	 Plastic #3 	40	3

No.	Part	Qty	Step
37	 Plastic #1	18	5,8
38	 Plastic #2	8	5,8
39	 Ground Spike	24	4
40	 Concrete Bolt M8*70mm	24	4
41	  Spanner      Magnetic Hex Key	1	3
42	 Hook	2	6
43	 Y-connector	4	5
44	 Screw Support	4	3
45	 Screw M6*55mm	12	5
47	 Roof Top Cap	2	5
48	 Roof Top Cap connector	1	5

No.	Part	Qty	Step
49	 Roof Top Support	2	5
50	 Roof Top Support	2	5
51	 Rail Connector	6	2
52	 Roof Gable Profile 440mm	4	5
53	 Roof Gable Profile 316mm	6	5
54	 Black Side Aluminium Composite Roof Panel	2	7
55	 Black Side Aluminium Composite Roof Panel	2	5
56	 Black Side Aluminium Composite Roof Panel	2	5
57	 Black Side Aluminium Composite Roof Panel	2	5
58	 Black Side Aluminium Composite Roof Panel	4	5

We included some extra screws and bolts for your convenience.

# STEP 1 Assembling the Corner Profiles and Middle Profiles



Place all the parts on a level surface  
 Make sure the pieces are in the correct positions before assembling.  
 Carefully follow the order of assembly to ensure an easy installation.  
 Wear proper safety gear including work shoes, gloves and goggles.

## Components



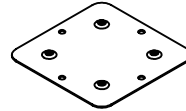
Corner profile (1)  
x 4



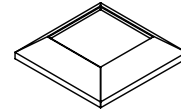
Middle profile (1A)  
x 2



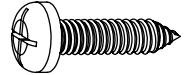
Roof connector (4)  
x 4



Support plate (3)  
x 6



Support frame (2)  
x 6



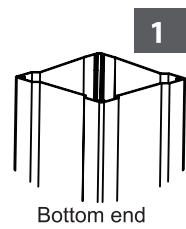
Screw (30)  
x 32



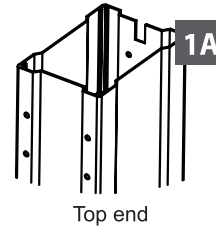
**ATTENTION:** The corner profile (1) has two screw holes to connect it to the roof connector (4) and 8 pre-drilled screw holes to attach rails (5,6,7,8) in step 3 at its top end. It has four screw holes to connect it to the support plate (3) at its bottom end.



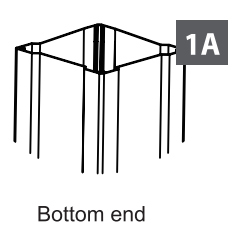
Top end



Bottom end



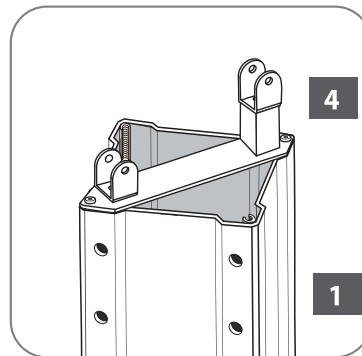
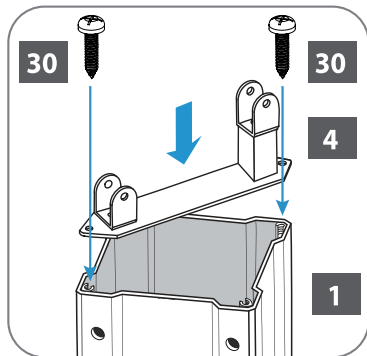
Top end



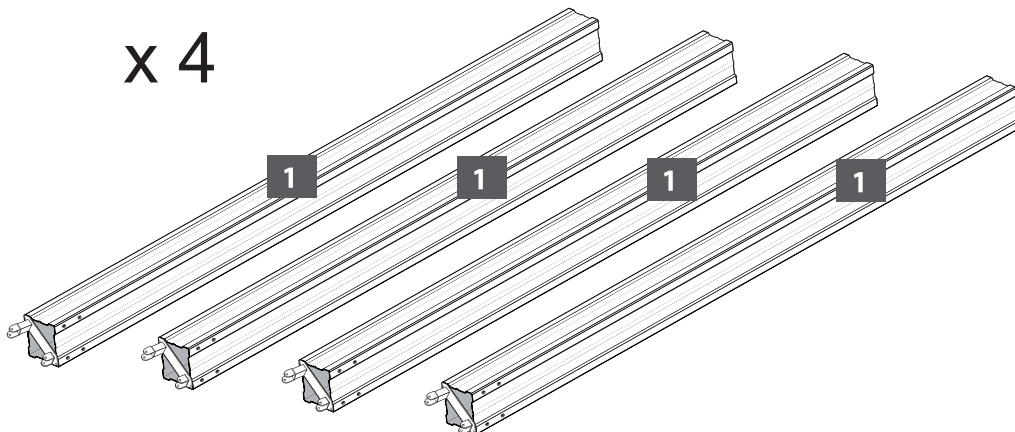
Bottom end

## 1.A

Place corner profiles (1) parallel to each other on the ground. Attach one roof connector (4) to each top end as shown and fasten with screws (30).



x 4

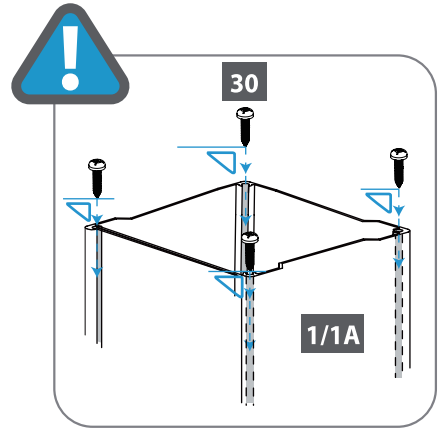
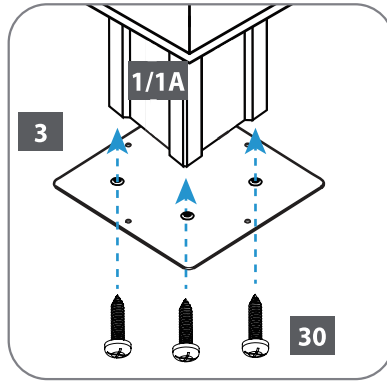
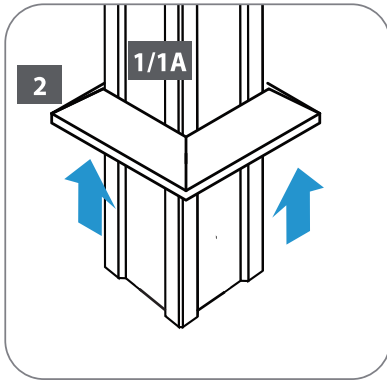




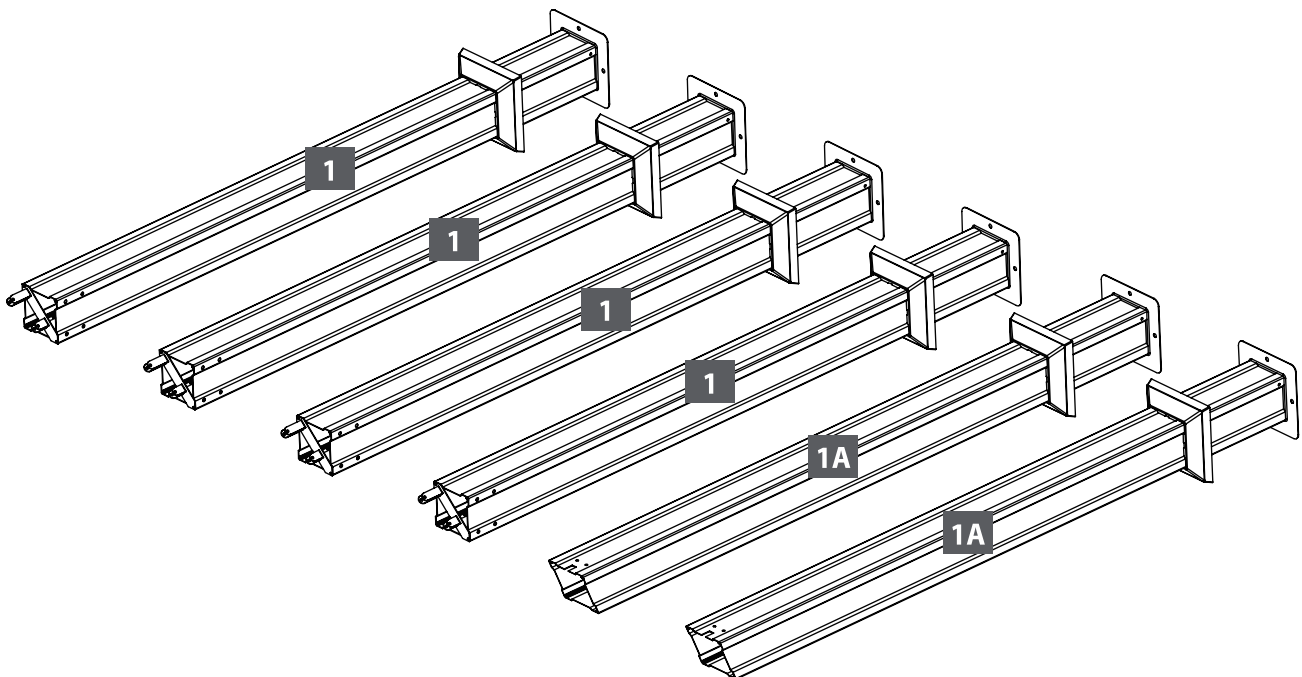
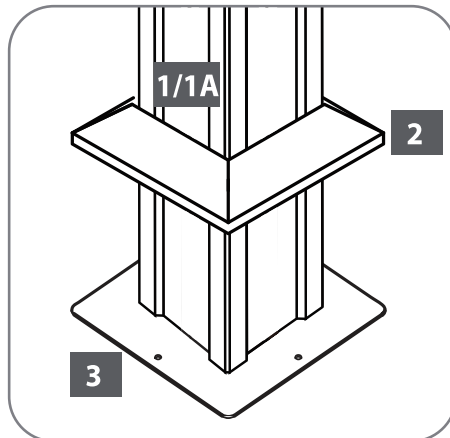
**ATTENTION:** Do not need to assemble support frame (2) if you purchased the screen netting.

**1.B**

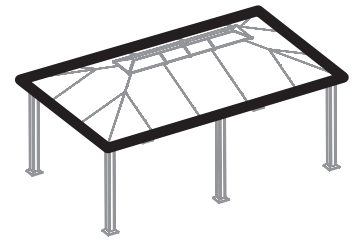
Slide support frames (2) over lower end of corner profiles (1/1A). Attach support plates (3) to corner profiles as shown, using four tapping screws (30) for each plate, make sure all tapping screws are perpendicularly into the profile holes.



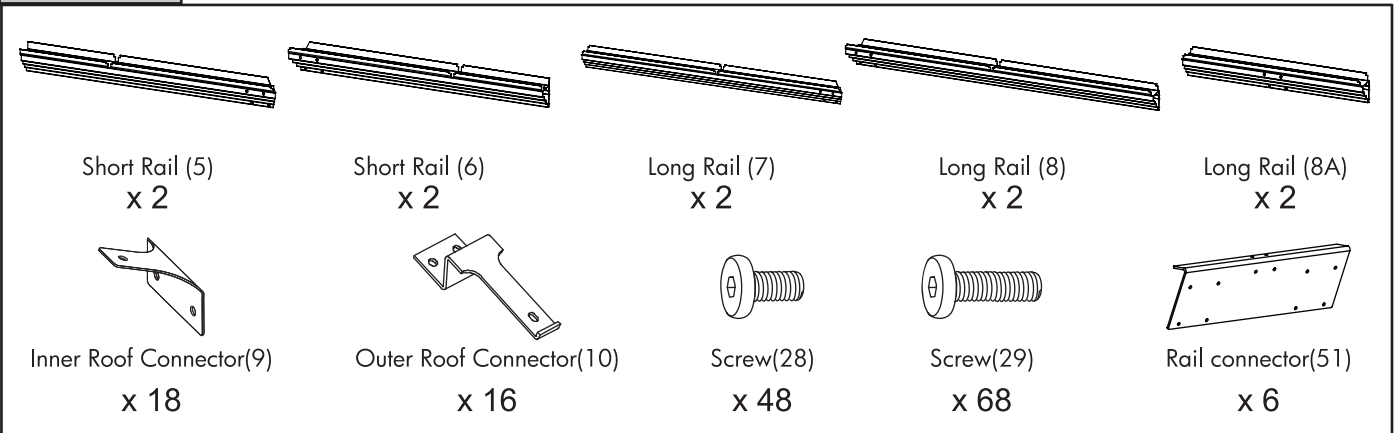
Leave support frames (2) about 10" over lower end of corner profiles (1/1A) until step 4 (Securing the gazebo to the ground)



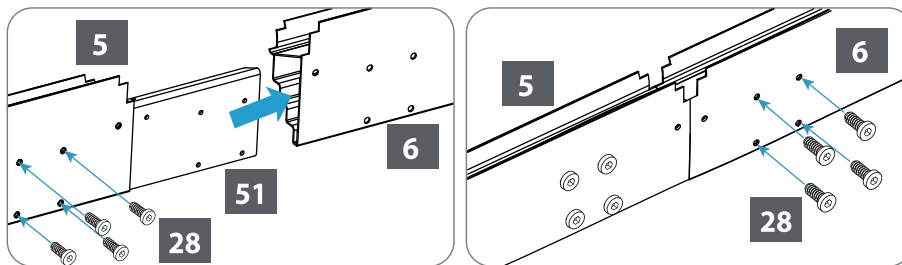
## STEP 2 Assembling the Rails



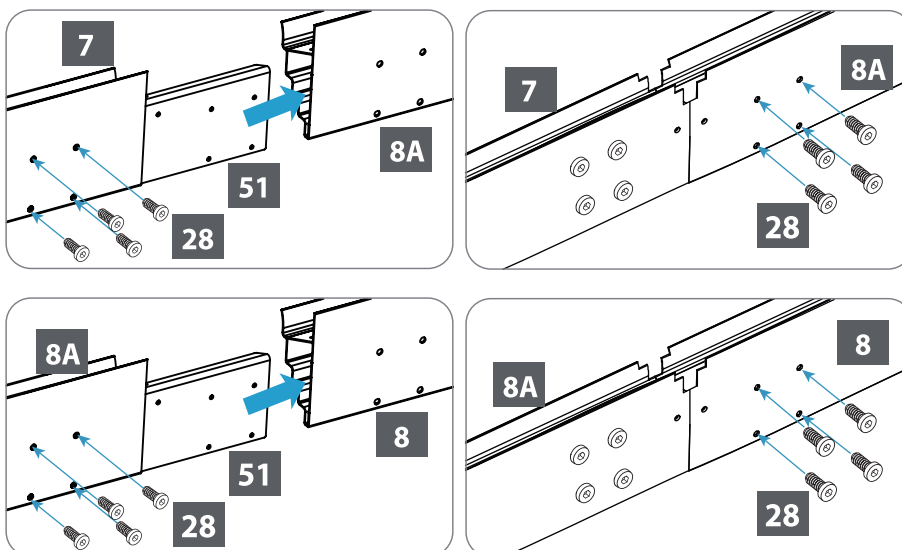
### Components



**2.A** Insert rail connector (51) into blunt end of long rail (5) secured with screws (28).  
Insert long rail (5,51) into blunt end of long rail (6) secured with screws (28) as shown.  
Repeat to create two sets of long rails.

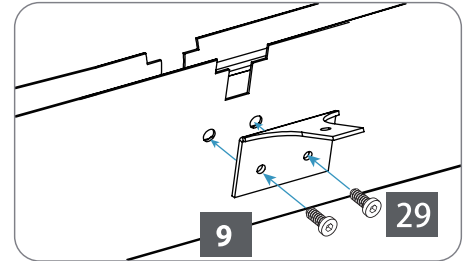
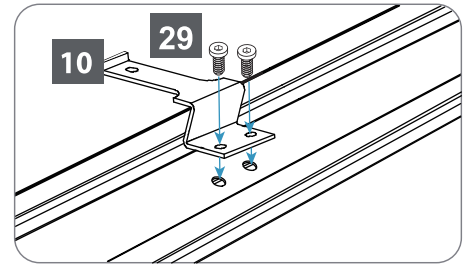


**2.B** Insert rail connector (51) into blunt end of long rail (7) secured with screws (28).  
Insert long rail (7+51) into blunt end of long rail (8A) secured with screws (28) as shown.  
Repeat to create two sets of long rails.  
Connect long rail set (7+51+8A) and long rail (8) with rail connector (51) by screws (28).

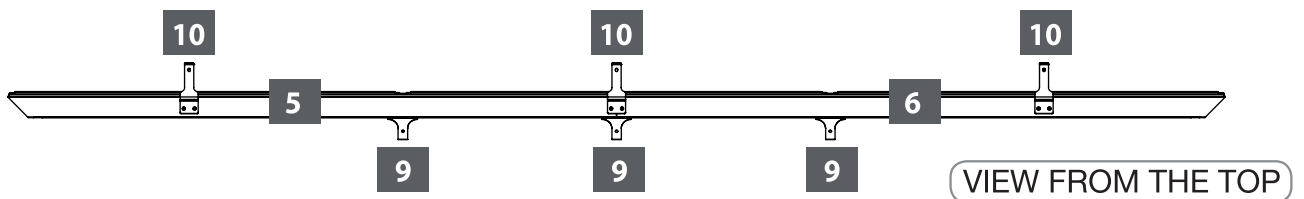


## 2.C

Attach three outer roof connectors (10) to each long rail set (5+6) at pre-drilled screw holes, using screw(29).

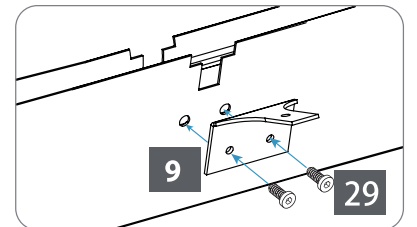
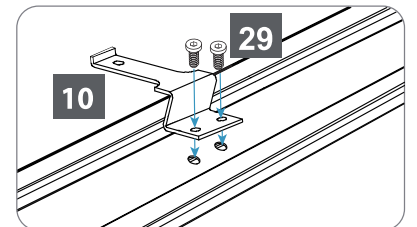


Attach three inner roof connectors (9) to each long rail set (5+6) at pre-drilled screw holes, using screw(29).

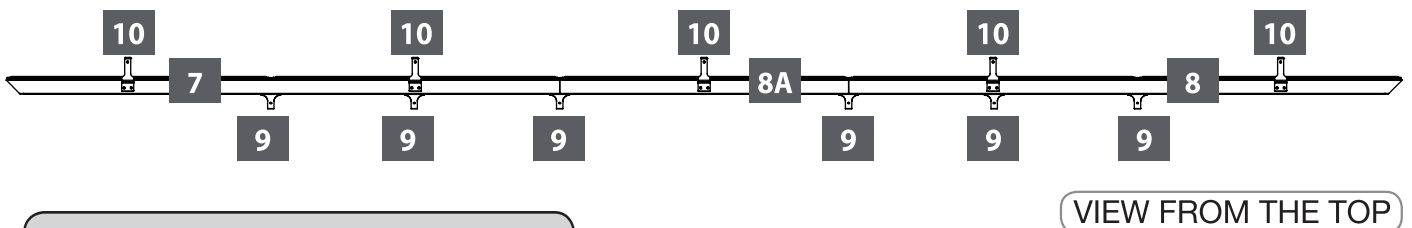


## 2.D

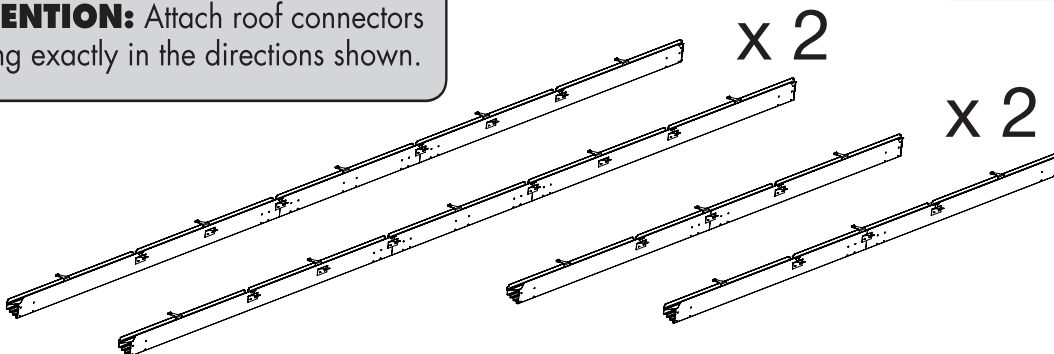
Attach five outer roof connectors (10) to each long rail set at pre-drilled screw holes, using screw(29).



Attach six inner roof connectors (9) to each long rail set (7+8A+8) at pre-drilled screw holes, using screw(29).



**ATTENTION:** Attach roof connectors facing exactly in the directions shown.



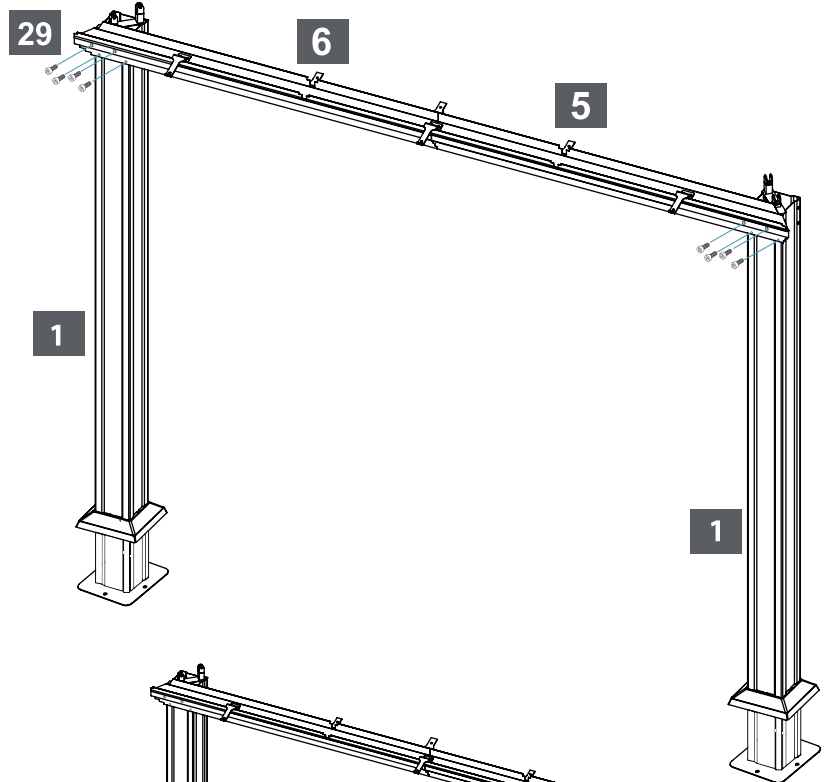
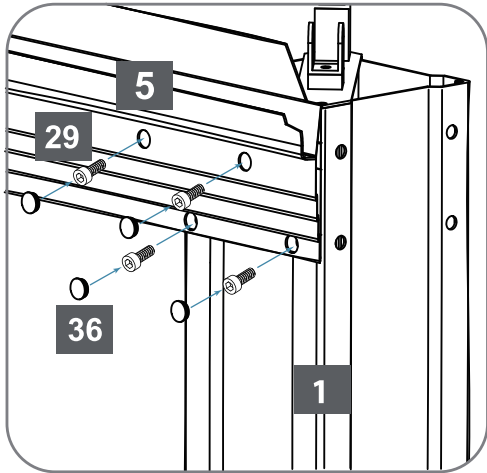
# STEP 3 Attaching the Rails to the Corner Profiles and Middle Profiles



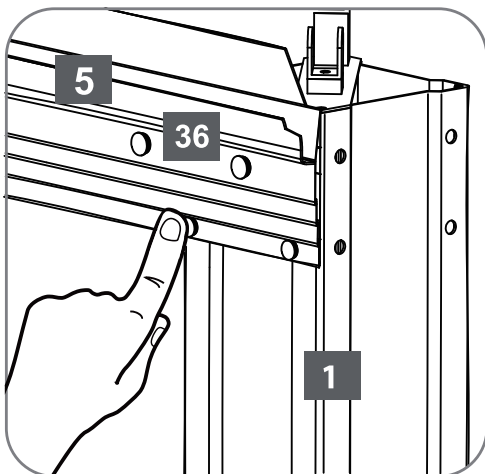
**3.A** Attach one short roof profile set (5+6) to two corner profiles (1) as shown, using screws (29) and supplied magnetic hex key (41) through holes in profile set.

### Components

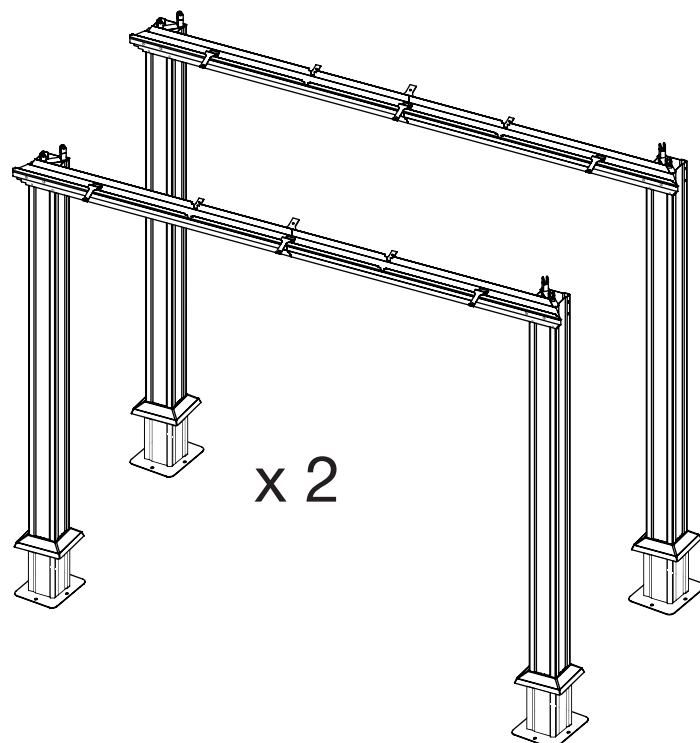
Inner Roof Connector (9) x 2	Screw (29) x 44	Nut (35) x 12
Plastic Cap #3 (36) x 40	Magnetic Hex Key (41) x 1	(44) x 4



**3.B** Close holes in profile set with plastic caps #3 (36).



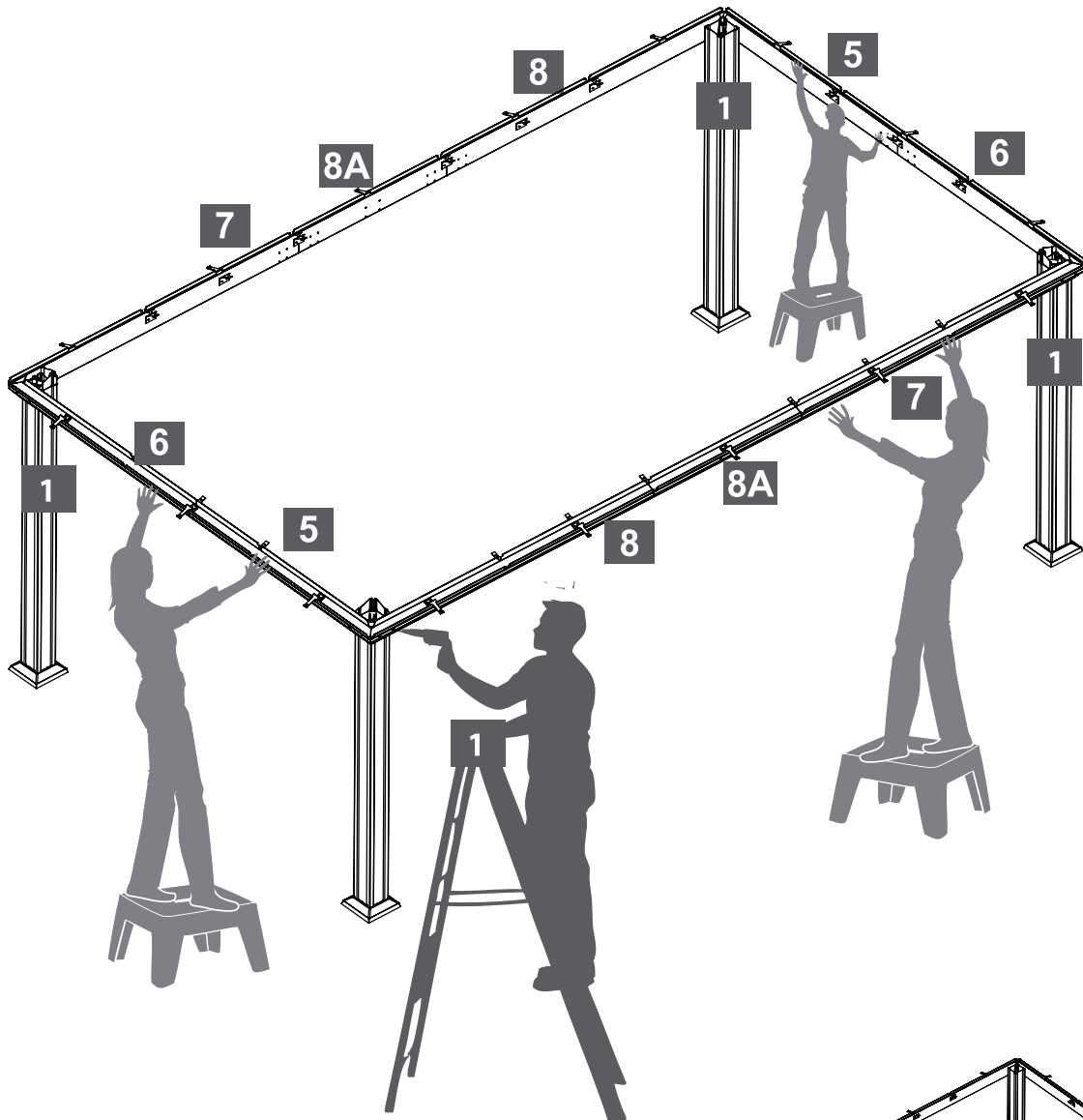
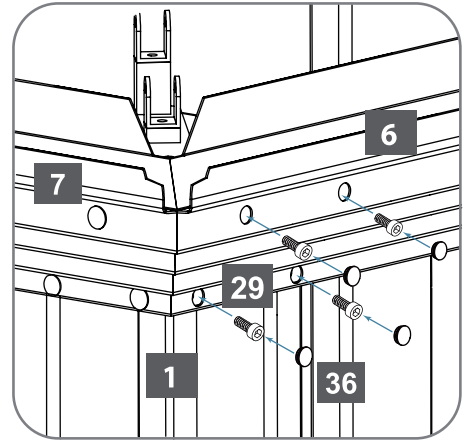
Repeat step 3.A and 3.B to create two sets.



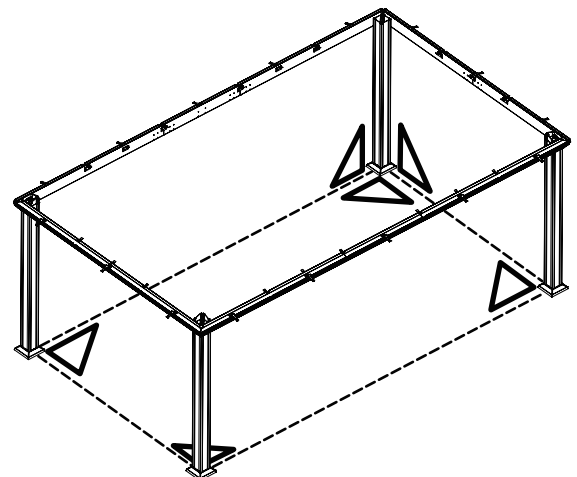


### 3.C

Using at least 4 people, attach the two long roof profile sets (7+8A+8) to corner profiles (1), connecting all corner profiles (1). Fasten with four screws (29) and supplied magnetic hex key (41) on each side. Close holes in profile sets with plastic caps #3 (36).

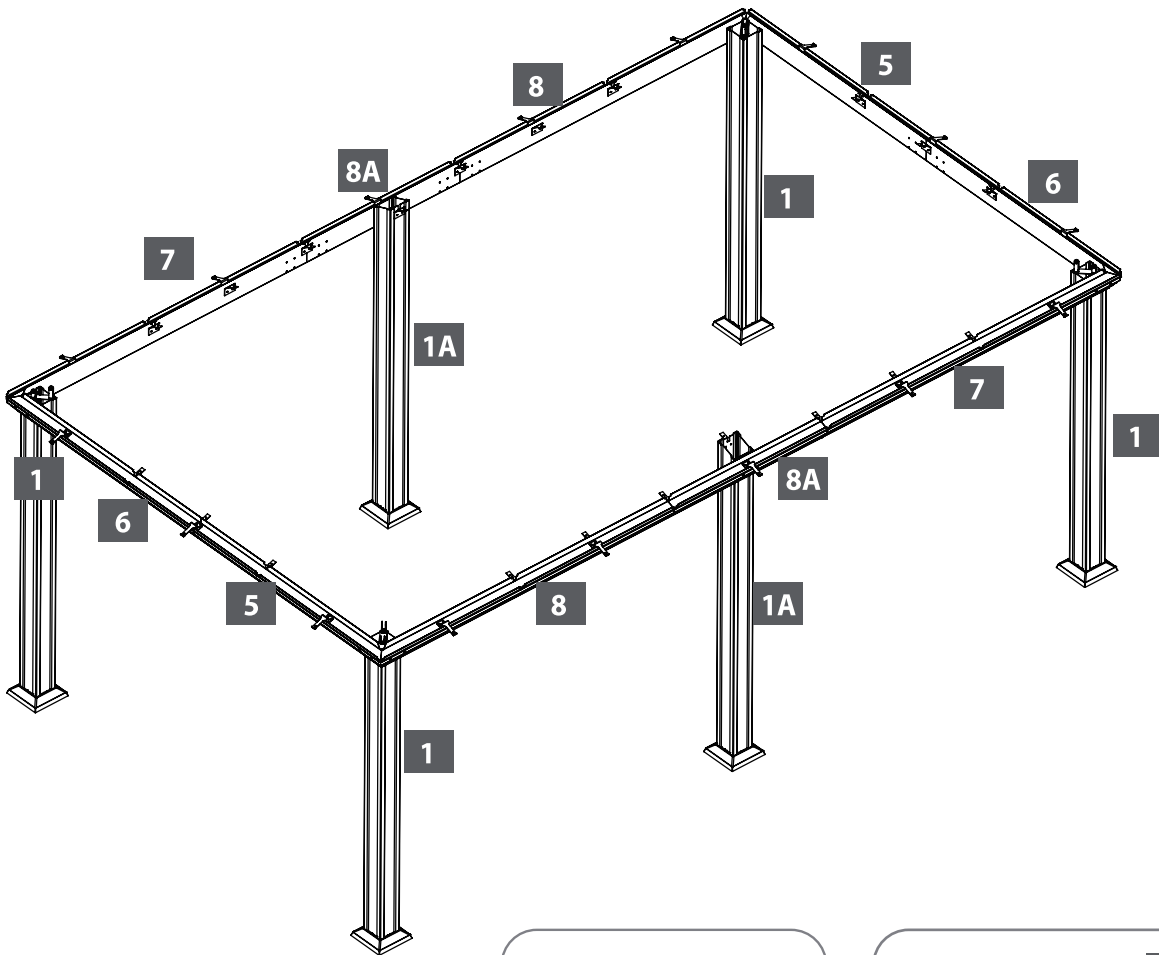
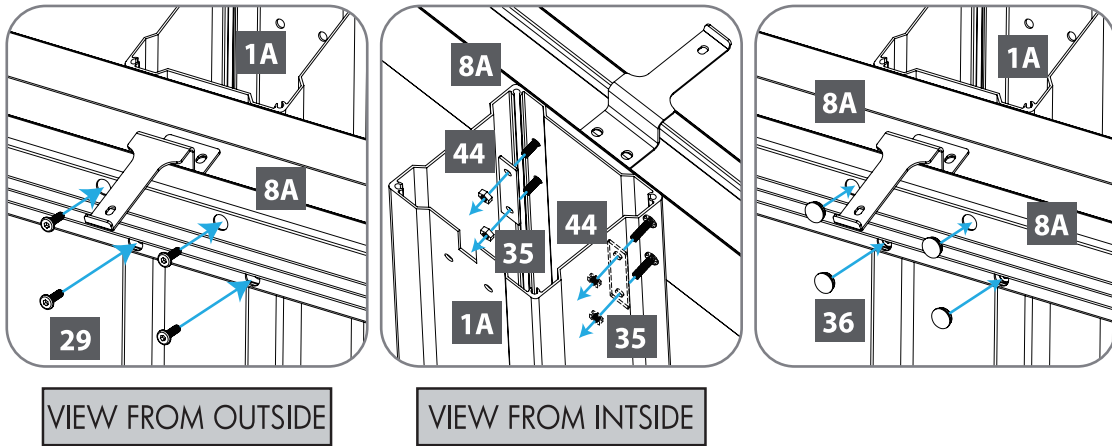


**IMPORTANT:** After this step you should place the gazebo frame in its desired location. Make sure all corners are squared at 90 degrees.

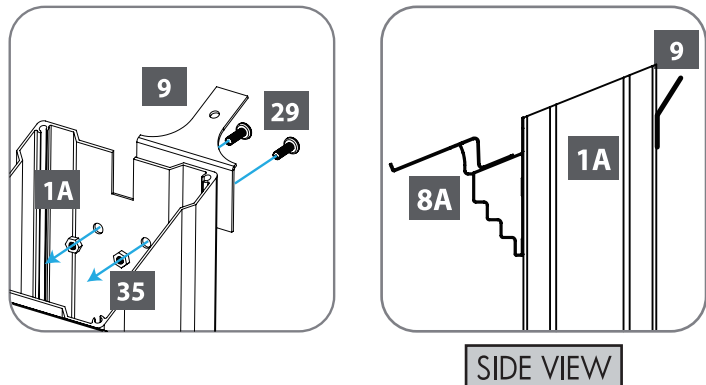


### 3.D

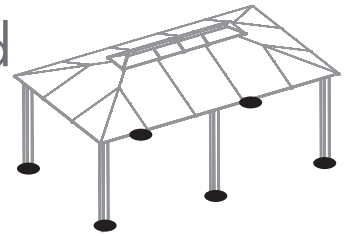
Connect middle profile (1A) on short rail (8A) .  
Insert four screws (29) through short rails (8A) and two screw supports(44) inside top side of middle profiles (1A) by magnetic hex key (42), fasten with nuts (35).  
Close holes in profiles with plastic caps #3 (36).



Attach two inner roof connector (9) to middle profile (1A) facing inside the gazebo by screw (29) and nut (35).

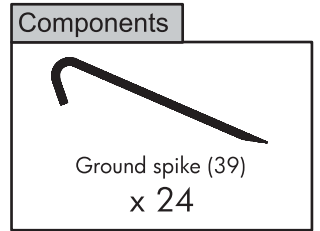
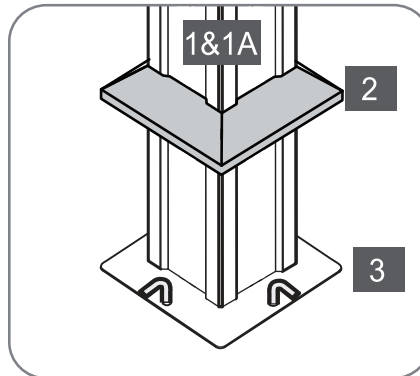
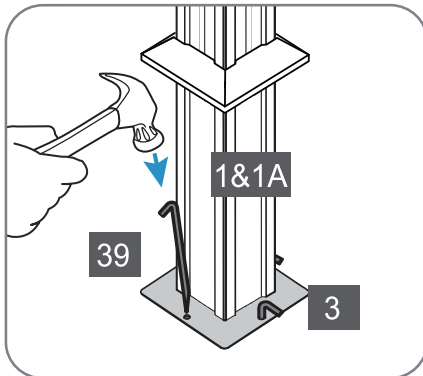


# STEP 4 Securing the Gazebo to the Ground



## 4.A

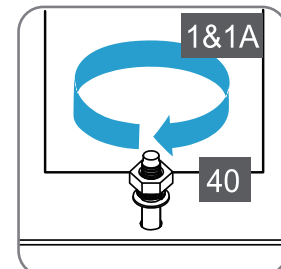
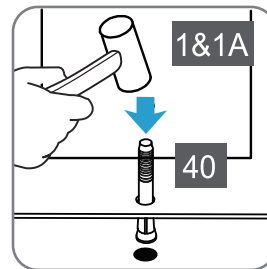
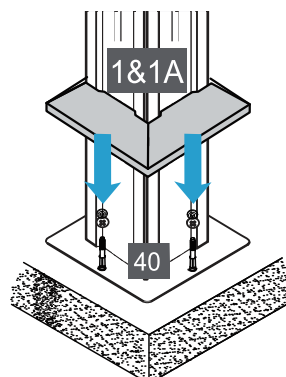
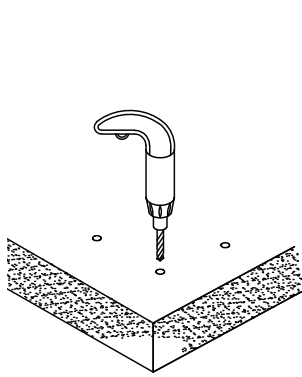
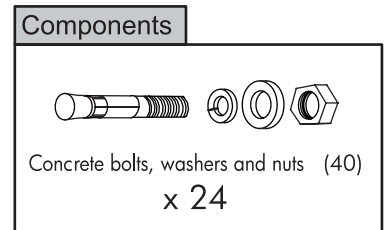
Fasten the gazebo frame to the ground, using four spikes (39) for each support plate. Lower support frames (2) to cover support plates (3).



## Optional Securing the Gazebo to a Concrete Floor or Wood Deck

### Concrete Floor:

1. Using a concrete drill, drill holes into the concrete floor, corresponding to the holes in support plates (3).
2. Insert concrete bolts (40) into the holes and hammer into place, using a mallet.
3. Fasten concrete bolts with washers and nuts.

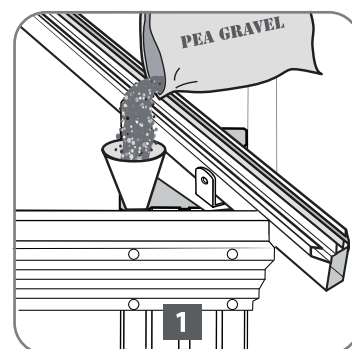


### Wood Deck:

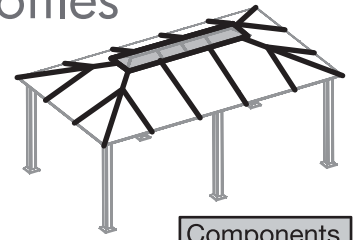
1. Using an electric wood drill, drill holes into the wood floor, corresponding to the holes in support plates (2).
2. Insert wood screws with washers (not supplied) into the holes and fasten, using an electric screw driver.



**NOTE:** After securing the gazebo to the ground, we highly recommend filling the corner profiles (1) with 2 bags (20LBS each) of Pea Gravel each for extra stability, as shown.



# STEP 5 Installing the Lower Roof Gzble Profiles and Roof Top Cover



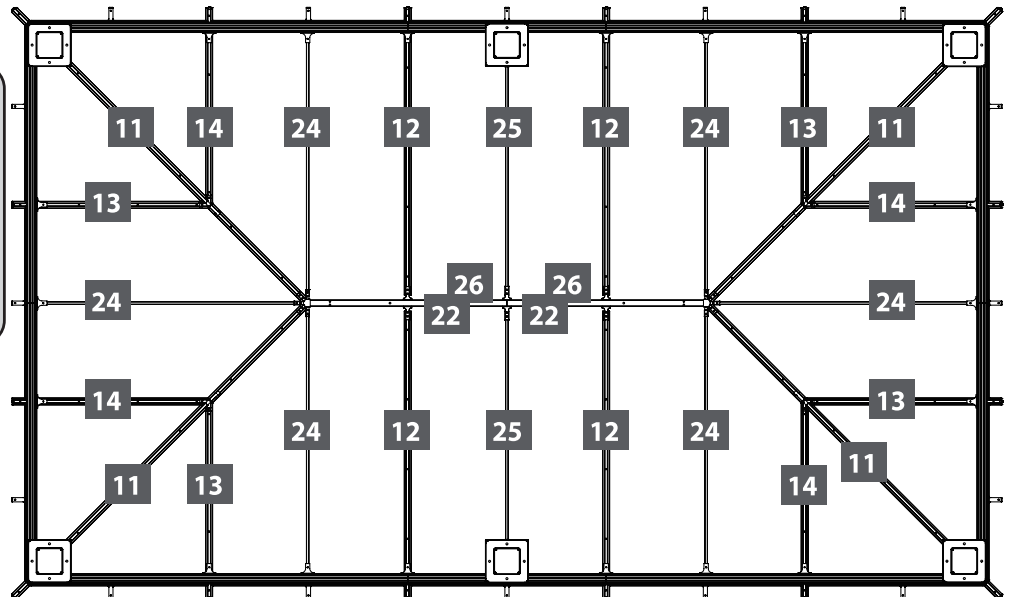
**ATTENTION:**  
DO NOT ATTEMPT TO ASSEMBLE THIS ALONE !

Components

Roof Gable Profile (11) x 4	Roof Gable Profile (12) x 4	Roof Gable Profile (13) x 4	Roof Gable Profile (14) x 4	Top center connector (20) x 12	(21) x 2	Roof Top Connectot Beam (22) x 2
U-shaped Connector (23) x 2	Roof Profile (24) x 6	Roof Profile (25) x 2	Roof Top Connectot Beam (26) x 2	Screw (29) x 100	Screw (31) x 8	
Screw (32) x 20	Screw (33) x 8	Nut (35) x 20	Plastic Cap #1 (37) x 6	Plastic Cap #2 (38) x 4	Y - connector (43) x 4	Screw (45) x 12
(47) x 2	(48) x 1	(49) x 2	(50) x 2	Roof Gable Profile (52) x 4	Roof Gable Profile (52A) x 4	Roof Gable Profile (53) x 6
Roof Gable Profile (53A) x 6	Aluminium Composite Roof Panel (55) x 2	Aluminium Composite Roof Panel (56) x 2	Aluminium Composite Roof Panel (57) x 2	Aluminium Composite Roof Panel (58) x 4		

Using at least three people, install the roof gables (11,12,13,14,24,25) in the following order:

**ATTENTION:**  
Roof Profiles, roof panels and gables must be aligned properly during assembly to minimize any possibility of leaking.



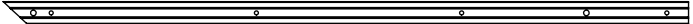
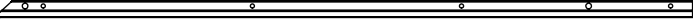
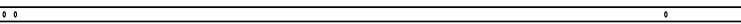
VIEW FROM BELOW  
(from inside gazebo)



**IMPORTANT:** Make sure that the roof gable profiles (11, 12, 13, 14, 24) are installed exactly as shown so that the pre-drilled screw holes will align properly with screw holes on the roof panels.

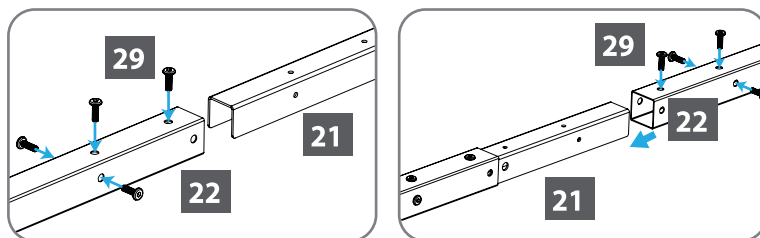
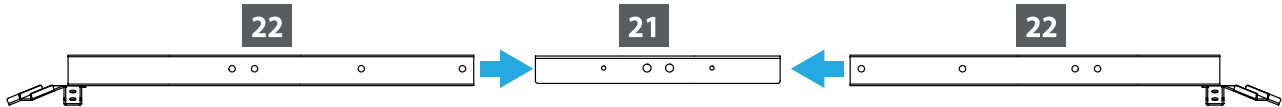
**BOTTOM VIEW OF PROFILES**



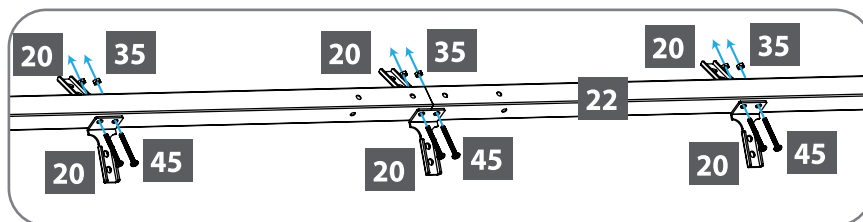
- Roof Gable Profile (11)  2561mm
- Roof Gable Profile (12)  1854mm
- Roof Gable Profile (13)  1269mm
- Roof Gable Profile (14)  1269mm
- Roof Gable Profile (24)  1702mm
- Roof Gable Profile (25)  1683mm

**5.A**

Connect two lower roof top connector beams (22) by inserting one top roof profile connector (21) than fasten with four screws (29) on each end; leave one pre-drilled hole position empty for next step.



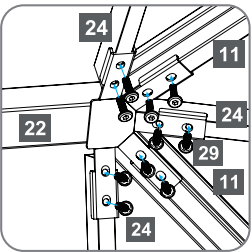
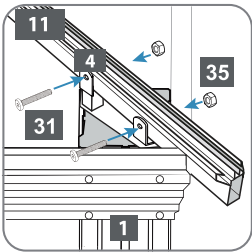
Using screws (45) and nuts (35), connect six top center connectors (20) to lower roof top connector beams set (22+21+22) as shown.



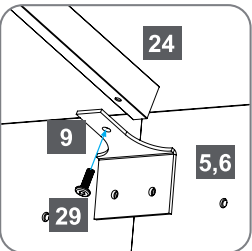
Using screws (31) and nuts (35), connect roof gable profiles (11) to roof connectors (4) on top of corner profiles (1).

Using screws (29), connect roof gable profile (11) to roof top connector beam (22) as shown.

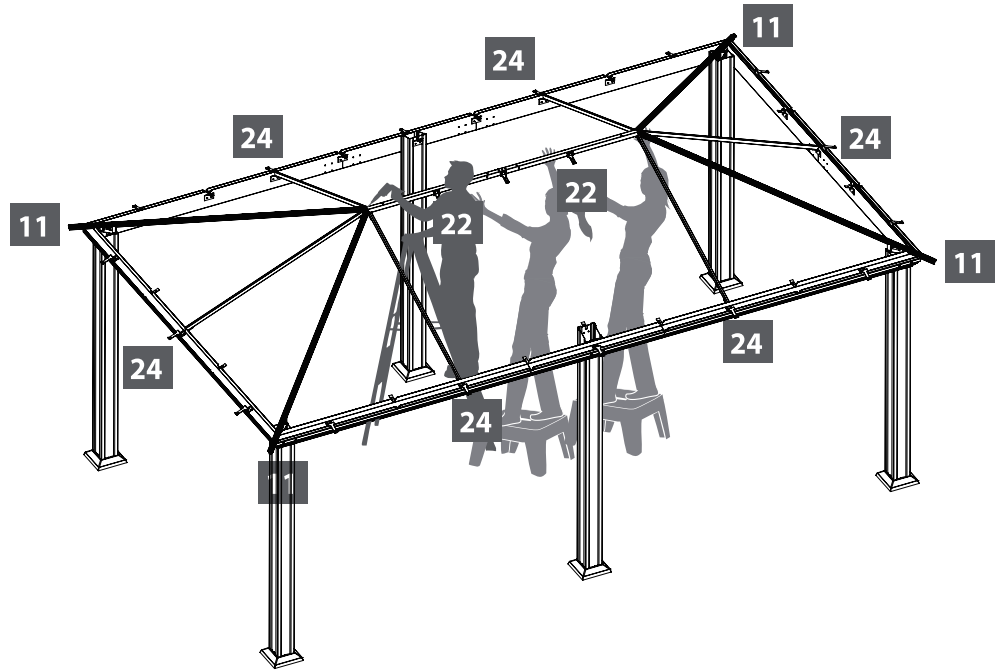
Using screw (29), connect roof profile (24) to inner roof connector (9) on the rails (5,6,7,8) and the other end to roof top connector beam (22).



VIEW FROM BELOW

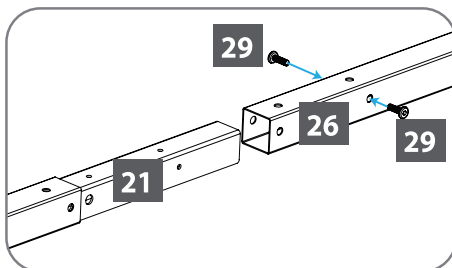
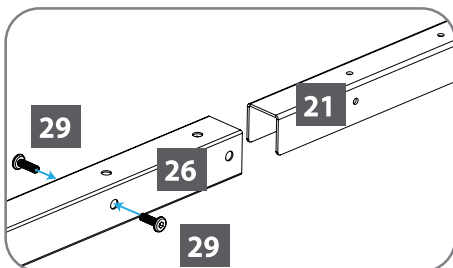
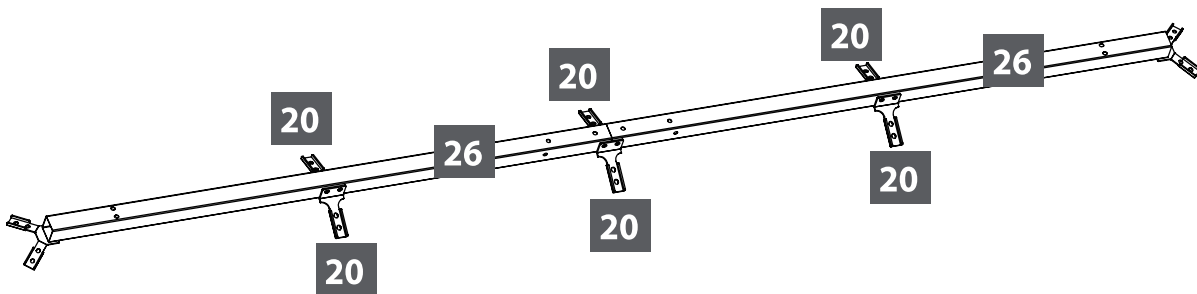


VIEW FROM BELOW

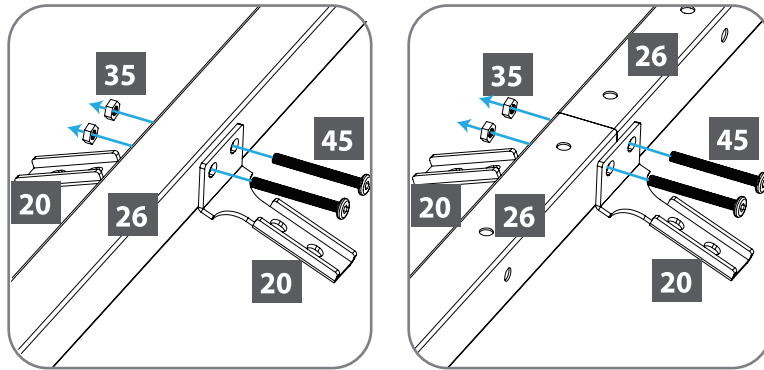


### 5.B

Connect two roof top connector beams (26) by inserting one top roof profile connector (21), fasten with TWO screws (29) on each end as shown.



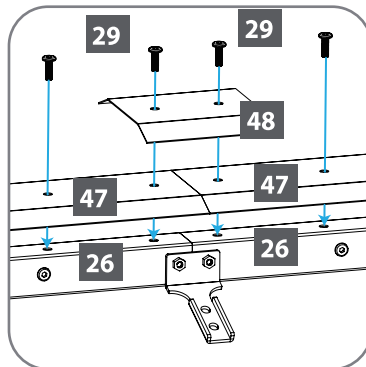
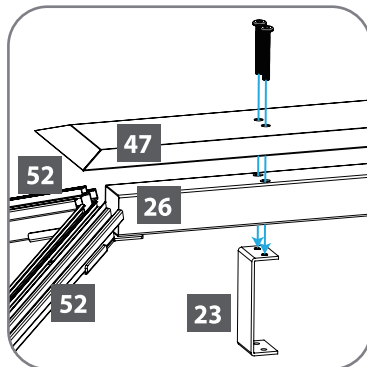
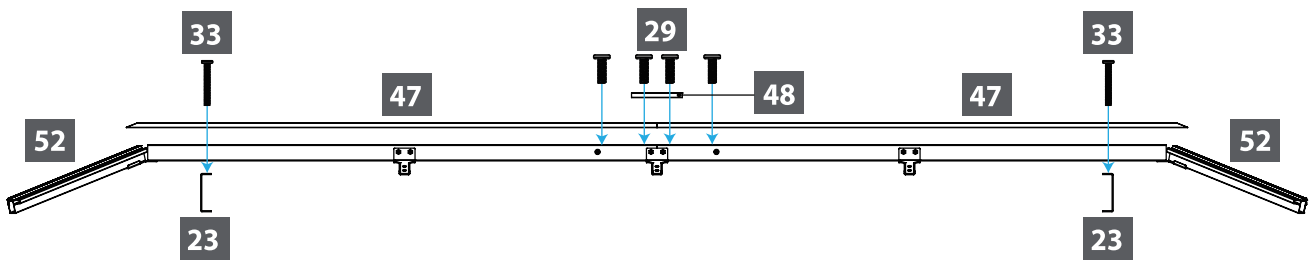
Using screws (45) and nuts (35), connect six top center connectors (20) to roof top connector beams set (26+21+26).



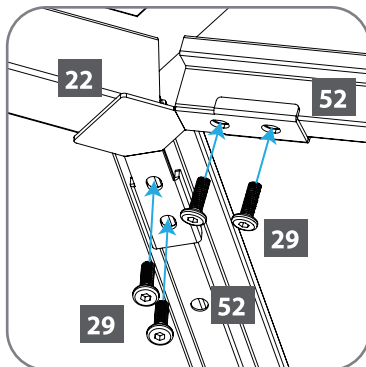
### 5.C

Connect the roof top caps (47) to roof top connector beam set (26+21+26) by roof top cap connector (48), fasten with screws (29) as shown.

Attach U-shaped connectors (23) to roof top connector beam set (26+21+26) from below, using four screws (33).



Using screws (29), connect roof gable profiles (52) to roof top connector beam set (26+21+26).

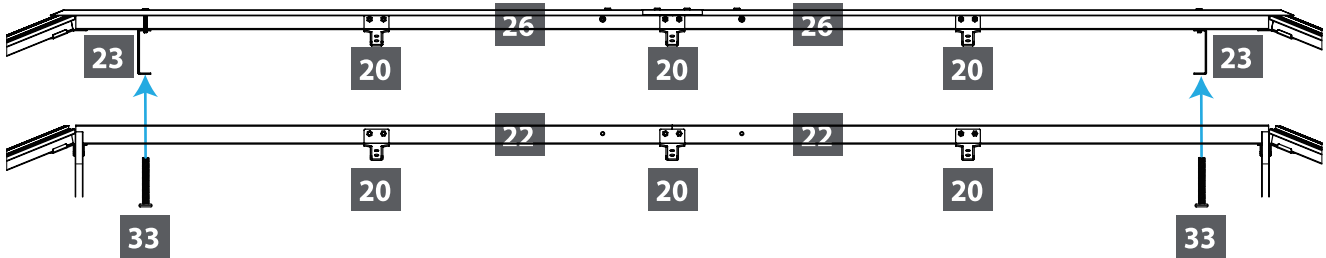
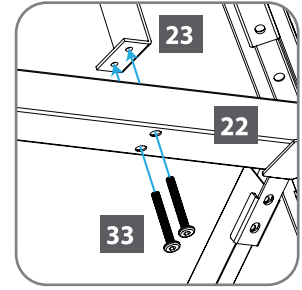


VIEWS FROM BELOW



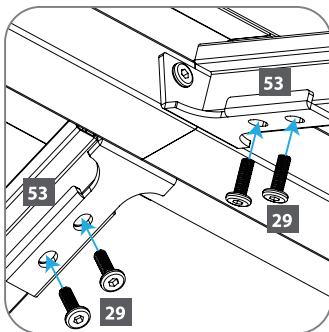
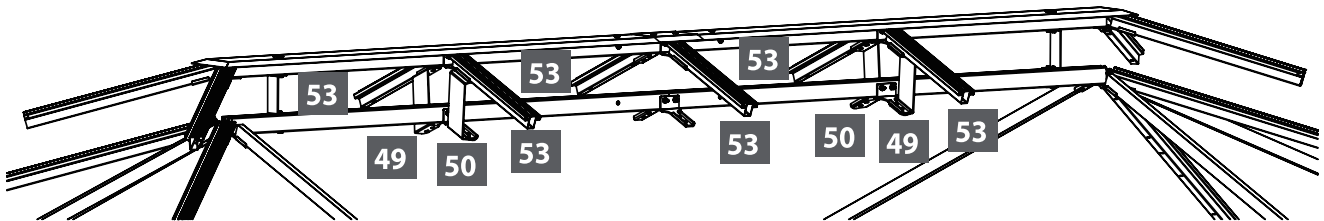
## 5.D

Install roof top connector beam set (26+21+26) to the U-shaped connectors (23) on the lower roof top connector beam set (22+21+22) by screws (33) from below as shown.



## 5.E

Using screws (29), connect two roof gable profile (53) to top center connectors (20) at the MIDDLE of roof top connector beam (26+21+26).

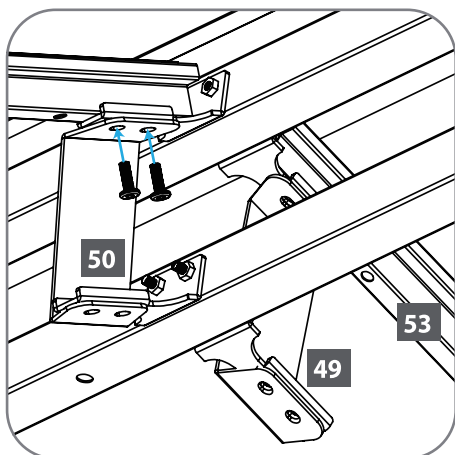


VIEWS FROM BELOW

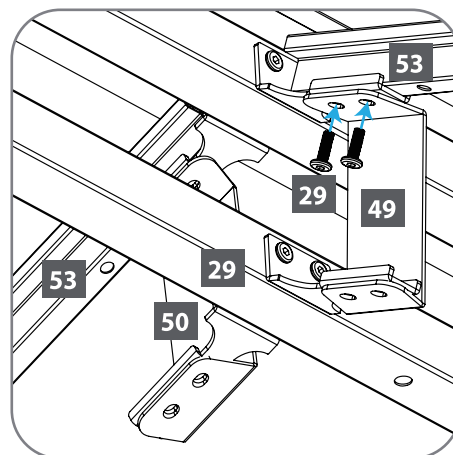


**IMPORTANT:** Make sure hollow side of roof top supports (49/50) facing the center of roof top connector beam (26+21+26), and the overlapped pre-drilled holes on Roof top supports (49/50) and Top center connectors (20) are aligned.

Install roof gable profiles (53) and roof top supports (49/50) to top center connectors (20) at the two end of roof top connector beam (26+21+26) by screws (29) EXACTLY as shown. The screws (29) must go through roof top supports (49/50) and top center connectors (20) than fixed on the roof gable profiles (53).



LEFT

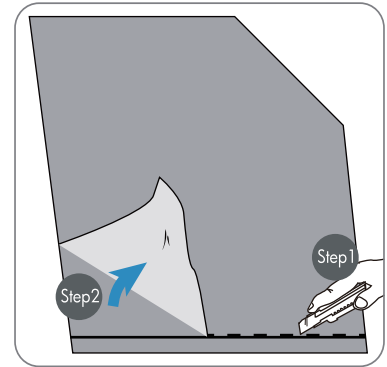
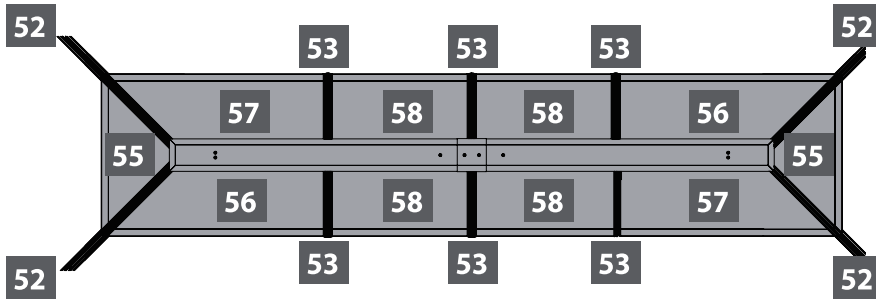


RIGHT

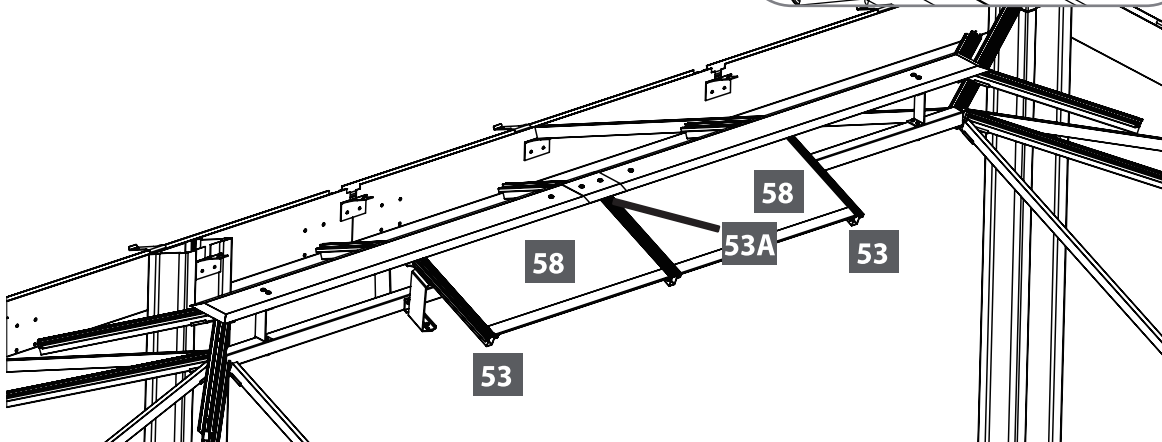
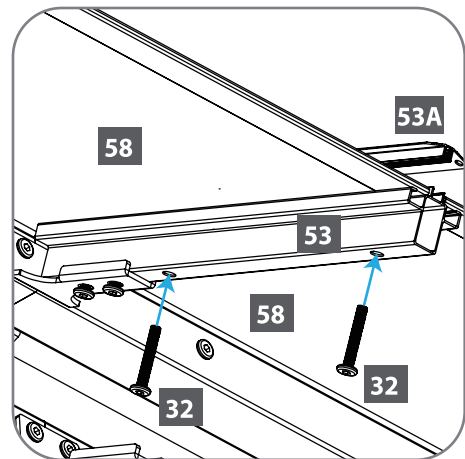
## 5.F



**IMPORTANT:** Gently cut on the edge of the panels on both side with knife and remove protective plastic of roof panels.  
Place with black surface toward the sun facing out when installing.

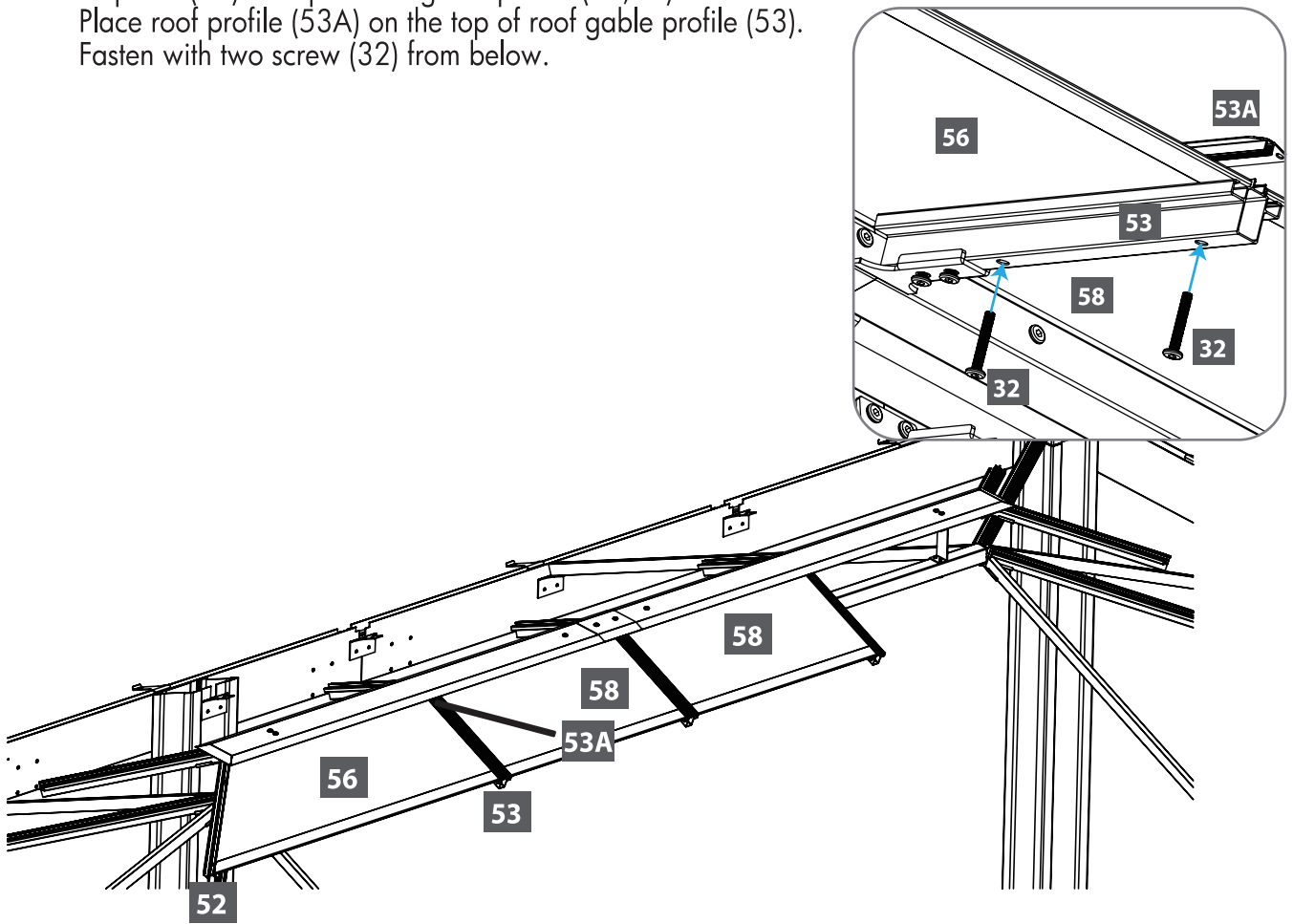


Fit two roof panels (58) on two top of roof gable profiles (53 and 53).  
Place roof profile (53A) on the top of roof gable profile (53) at the middle as shown and fasten with two screw (32) from below (inside gazebo).



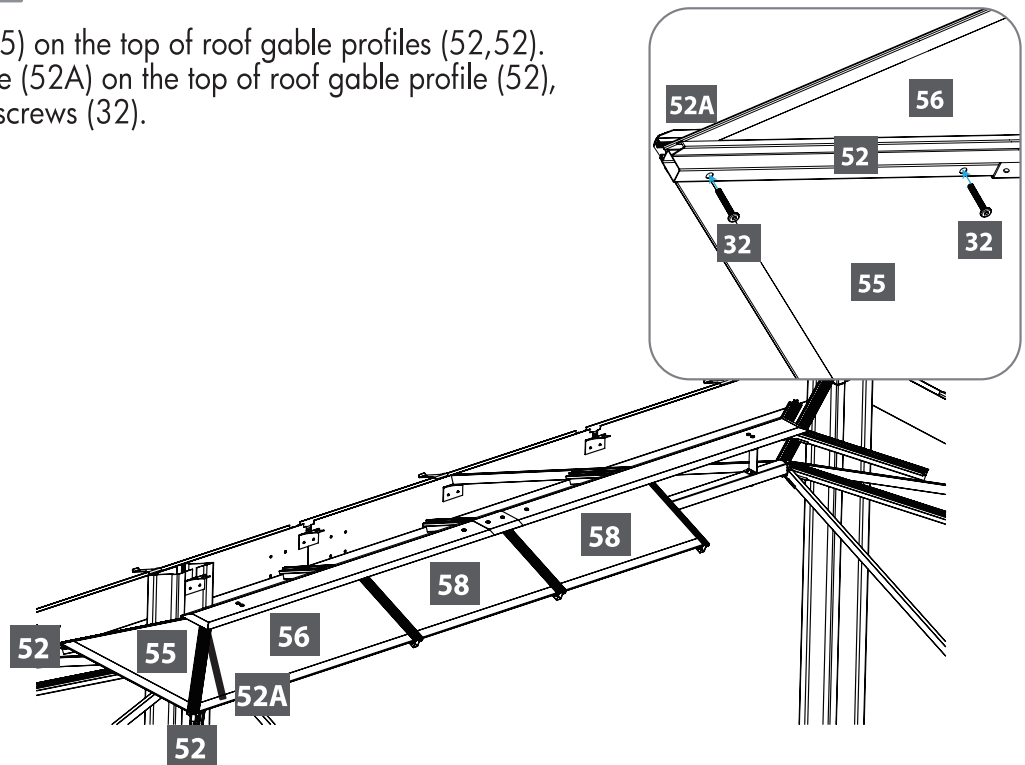
### 5.G

Fit panel (56) on top of roof gable profile (53,52) as shown. Place roof profile (53A) on the top of roof gable profile (53). Fasten with two screw (32) from below.



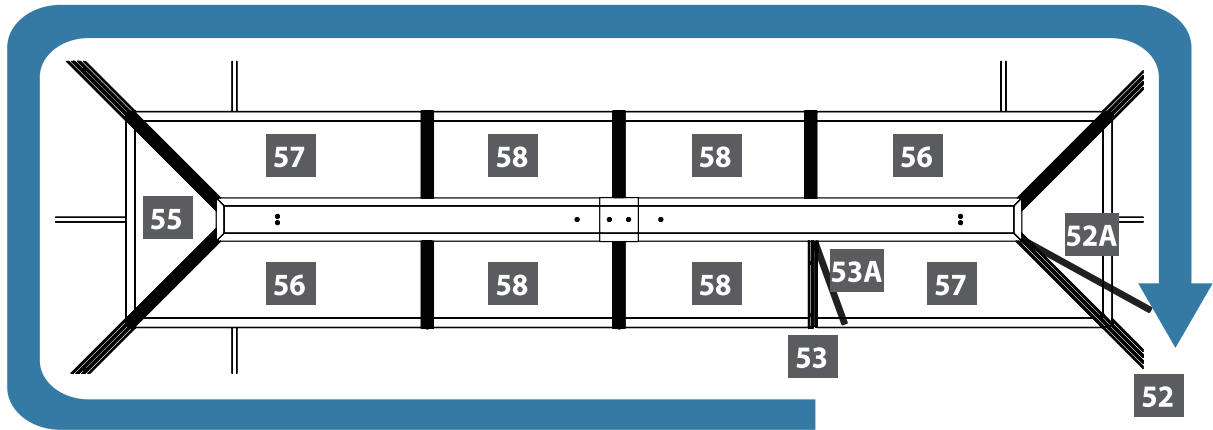
### 5.H

Fit roof panel (55) on the top of roof gable profiles (52,52). Place roof profile (52A) on the top of roof gable profile (52), fasten with two screws (32).



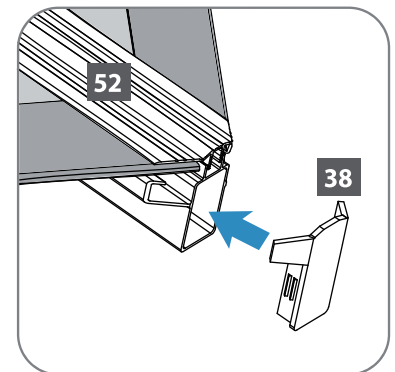
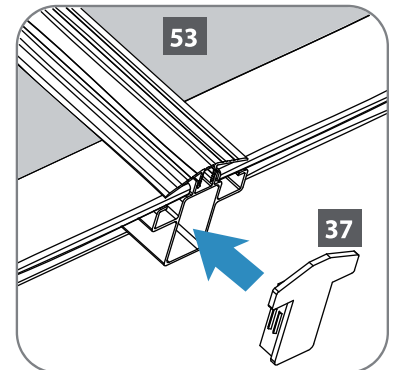
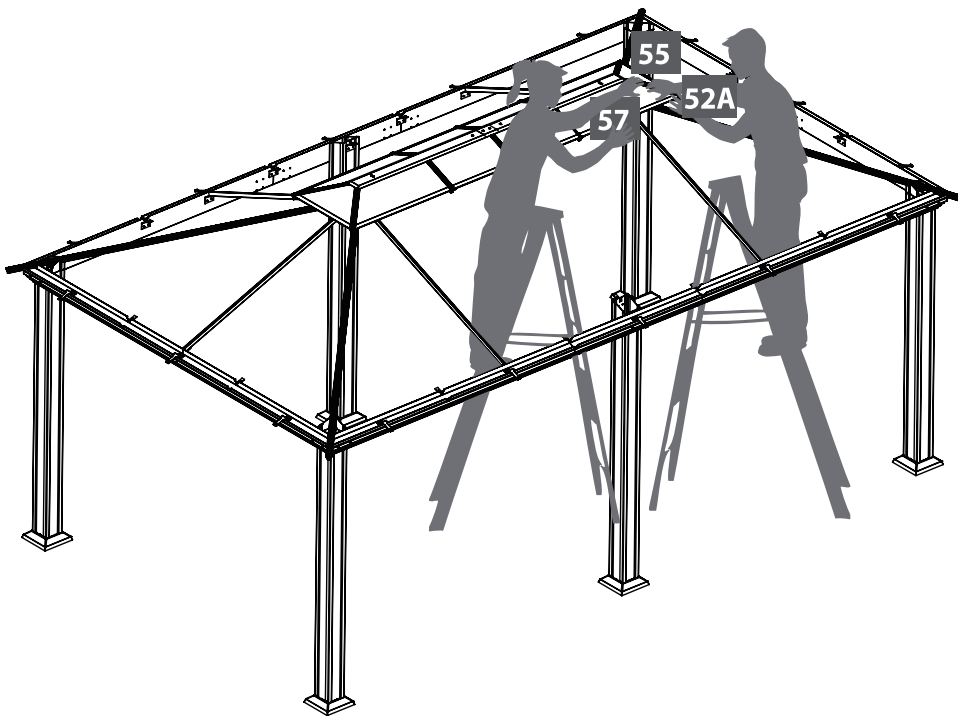
**5.1**

Continue in a clock-wise direction as shown.



VIEW FROM TOP

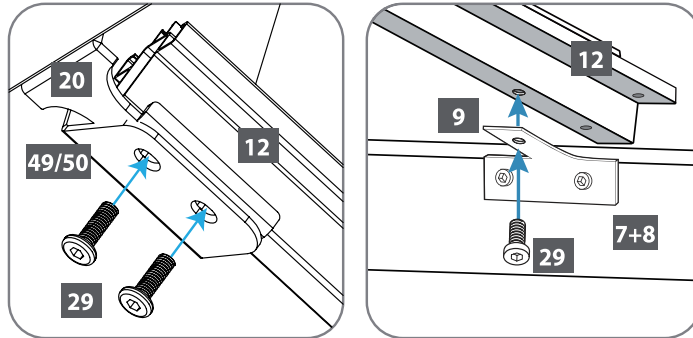
Fit the roof panel (57) on top of roof gable Profiles (53,52) .  
Place roof profiles (53A and 52A) on top of roof gable profiles (53,52), fasten with screws (32) from below.  
Close off roof profiles (53) with plaseic cap #1 (37) and roof profiles (52) with plastic cap #2 (38).



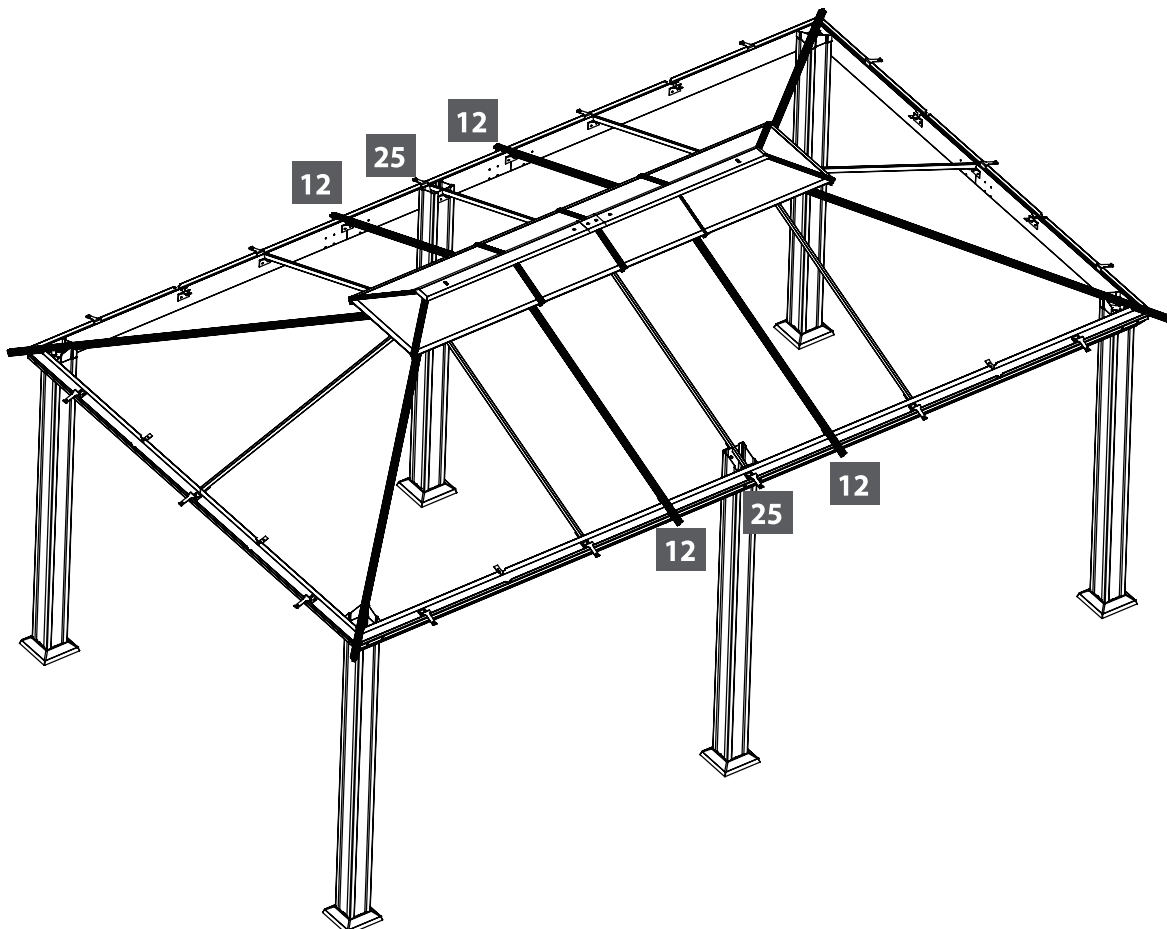
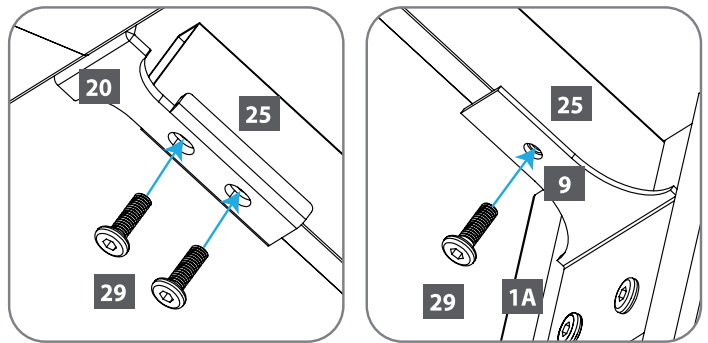
## 5.J

Using screws (29) connect top center connector (20) and roof top support (49/50) roof gable profiles (12) as shown.

Using screws (29) connect profiles (12) to inner roof connector (9) on long rail sets (7+8+8A).

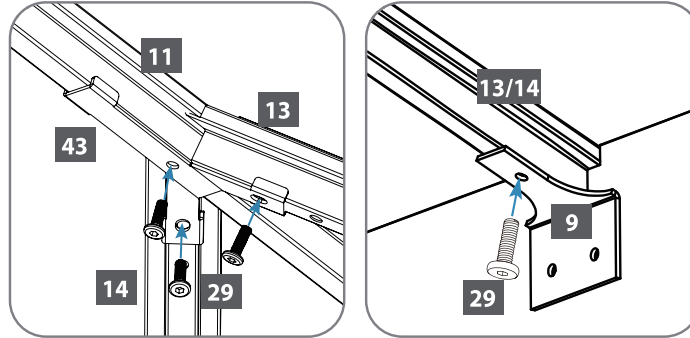


Connect roof profiles (25) to inner roof connectors (9) on long rail sets (7+8+8A) and the other end to roof top center connectors (20), fasten with screws (29).

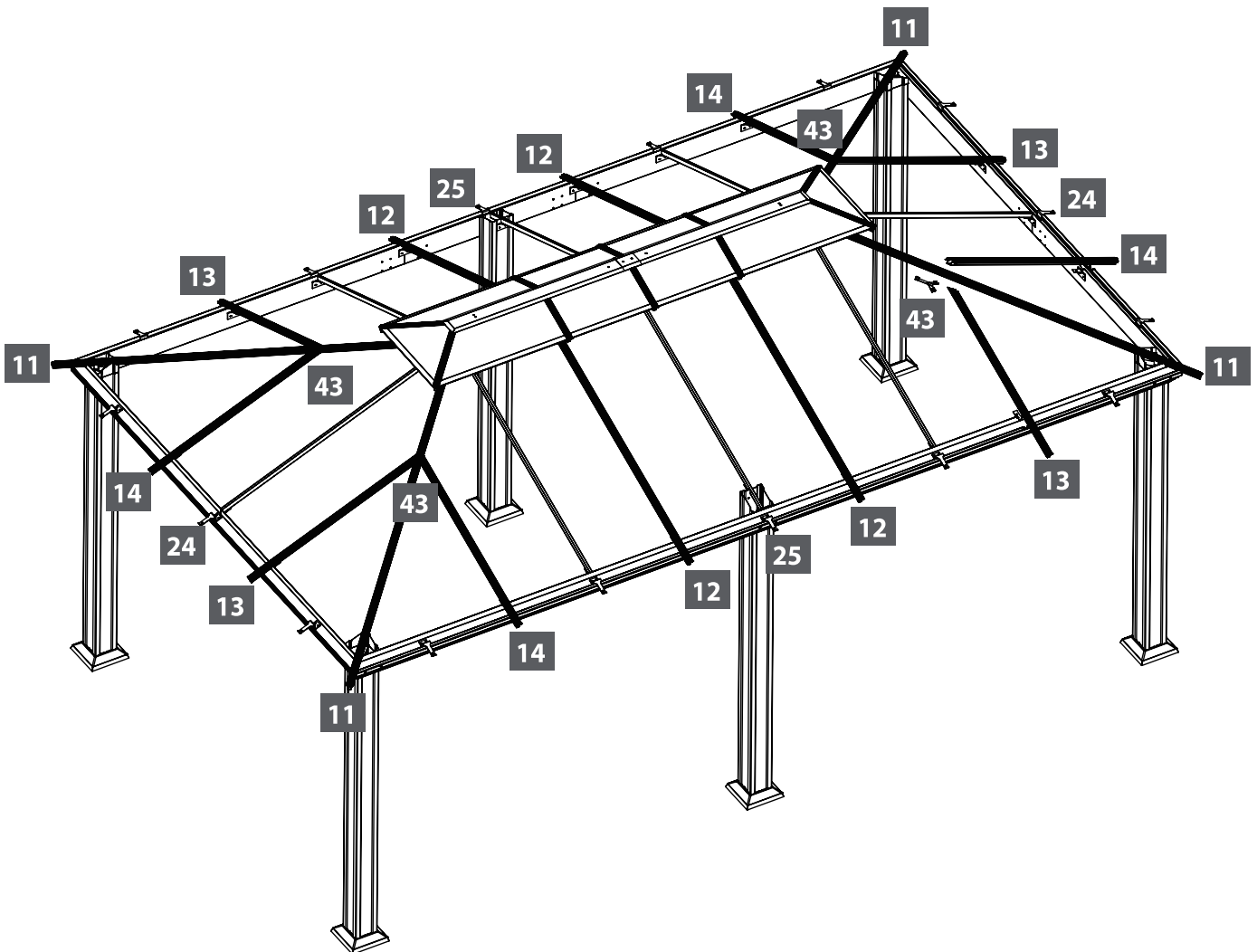


## 5.K

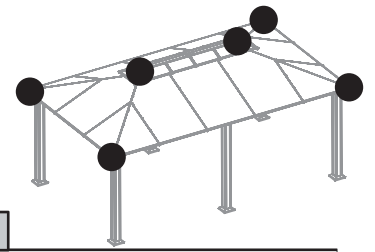
Attach Y-connectors (43) to underside of roof gable profiles (11), using screws (29) as shown. Connect profiles (13,14) to Y-connectors (43) and the other end to inner roof connectors (9) using screws (29).



VIEWS FROM BELOW



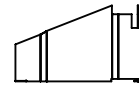
# STEP 6 Attaching the Corner Profile Caps



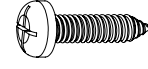
## 6.A

Attach hooks (42) on lower roof top connector beam (22).

### Components



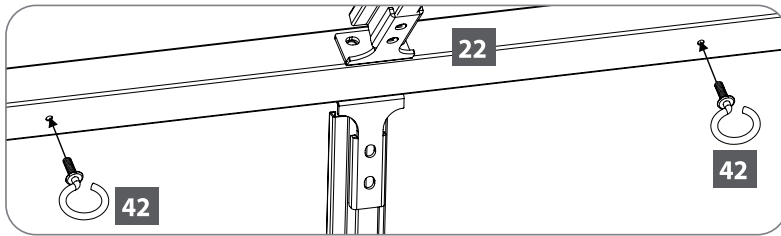
Corner cap (27)  
x 4



Screw (30)  
x 8

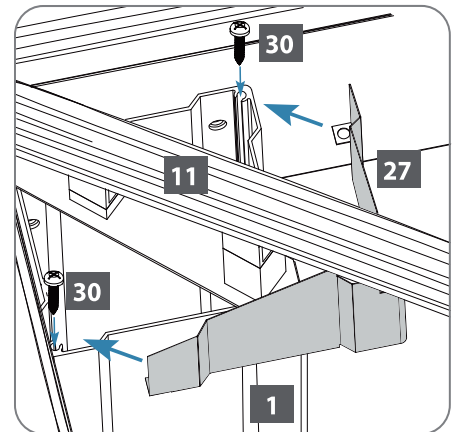


Part (42)  
x 2



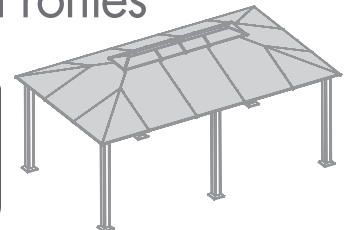
VIEW FROM BELOW

Place corner caps (27) on the top of corner profiles (1) and fasten with screws (30).



VIEW FROM INSIDE

# STEP 7 Installing the Roof Panels and Upper Roof Profiles



**IMPORTANT:** Gently cut on the edge of the panels on both side with knife and remove protective plastic of roof panels. Place with black surface toward the sun facing out when installing.

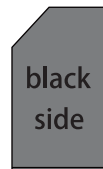
### Components



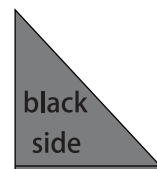
Aluminium Composite  
Roof Panel (54)  
x 2



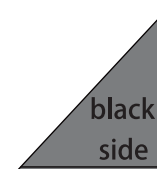
Aluminium Composite  
Roof Panel (18)  
x 2



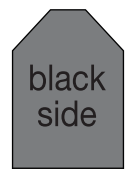
Aluminium Composite  
Roof Panel (19)  
x 2



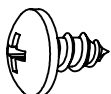
Aluminium Composite  
Roof Panel (17)  
x 4



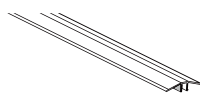
Aluminium Composite  
Roof panel (16)  
x 4



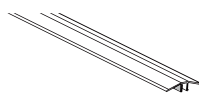
Aluminium Composite  
Roof Panel (15)  
x 2



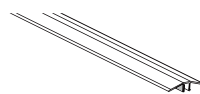
Screw (34)  
x 16



Roof Gable Profile  
(11A)  
x 4



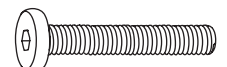
Roof Gable Profile  
(12A)  
x 4



Roof Gable Profile  
(13A)  
x 4



Roof Gable Profile  
(14A)  
x 4



Screw (32)  
x 76

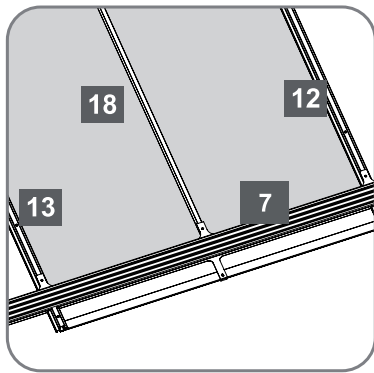
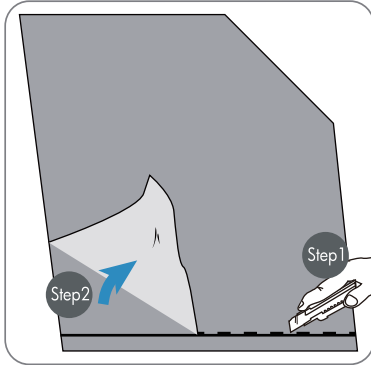
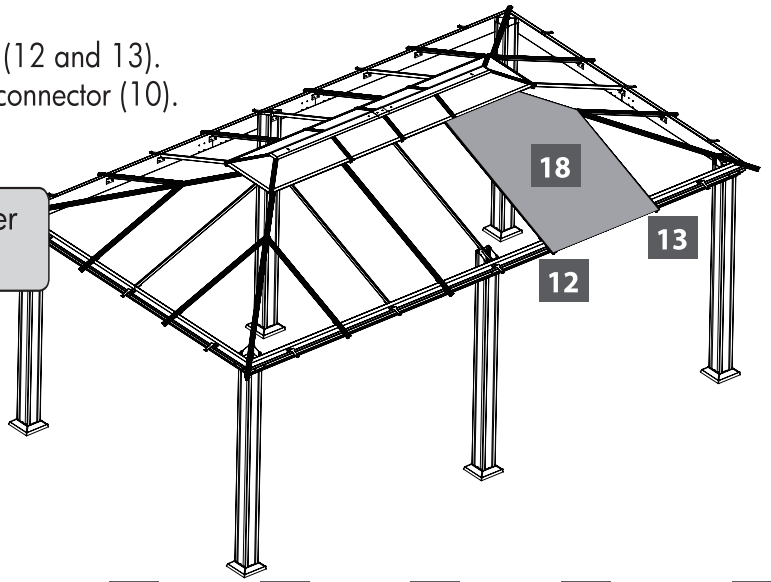


### 7.A

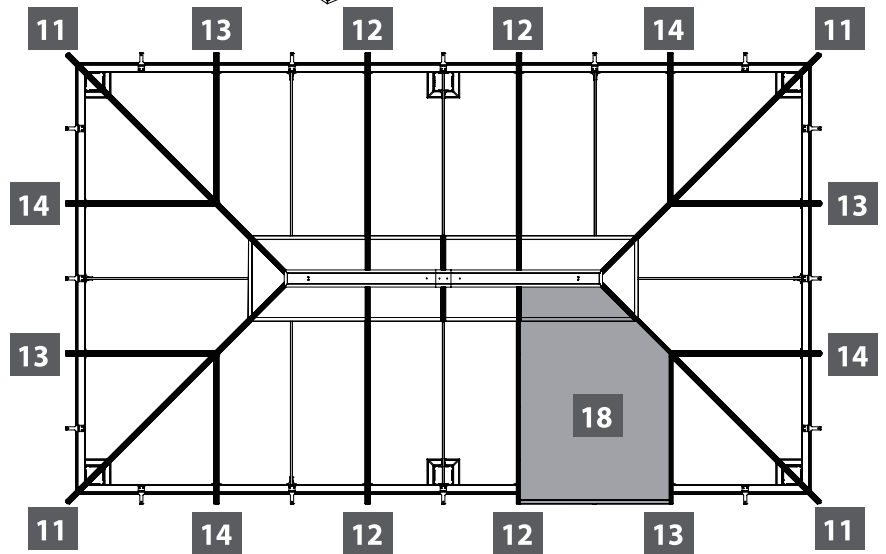
Fit roof panel (18) on top of roof profiles (12 and 13).  
Fasten with one screw (34) at outer roof connector (10).



**IMPORTANT:** Gently cut the film in order to avoid breaking on the panel.



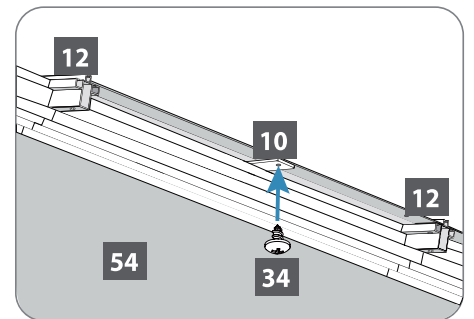
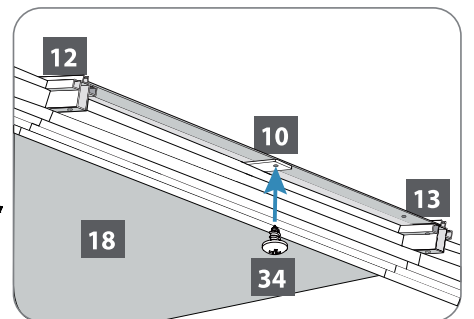
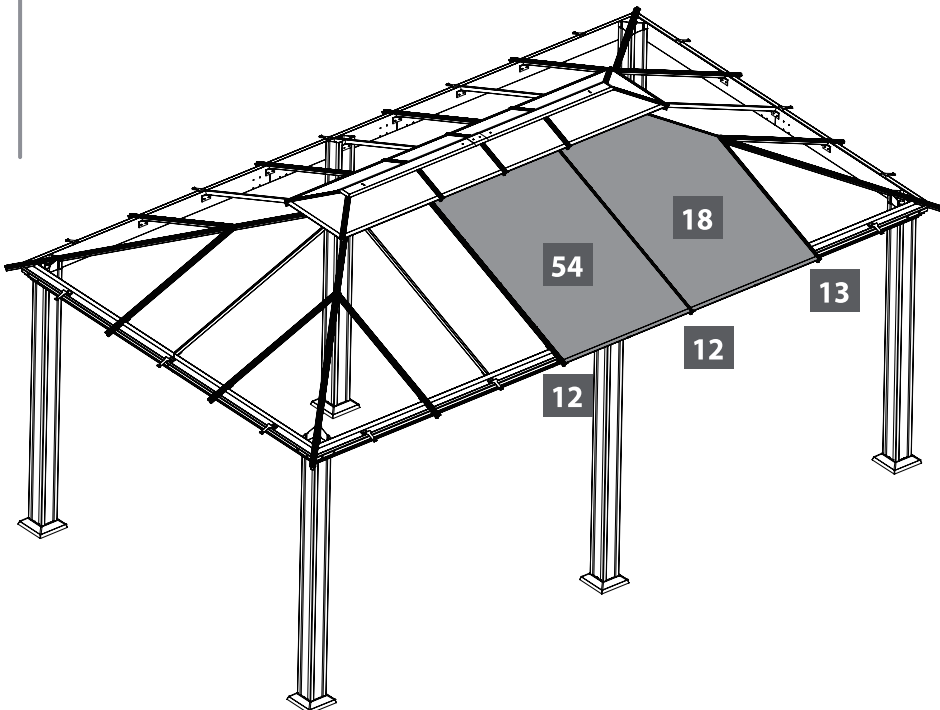
VIEW FROM BELOW



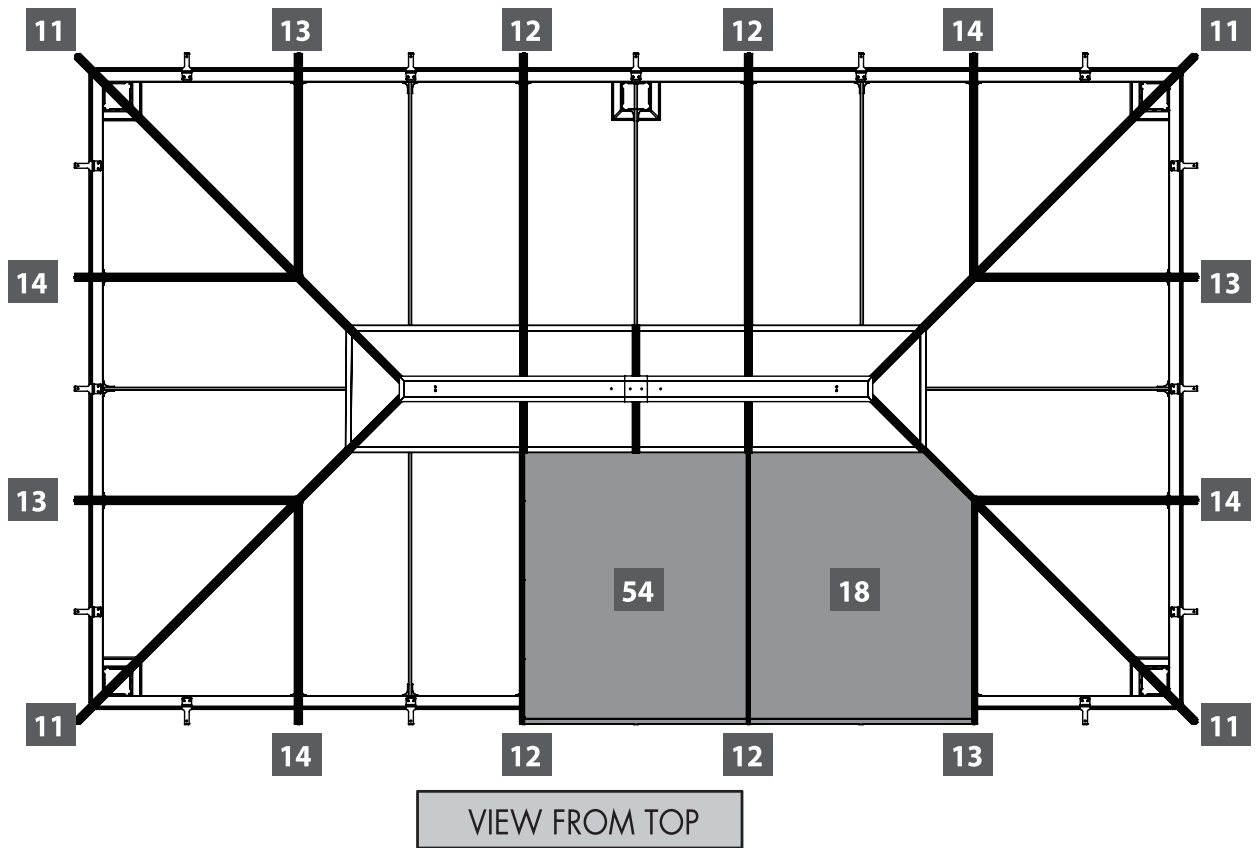
VIEW FROM TOP

### 7.B

Fit roof panel (54) on top of profiles (12 and 12) as shown and fasten with one screw (34) at outer roof connector (10) from below.



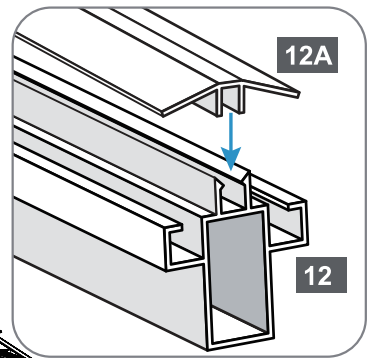
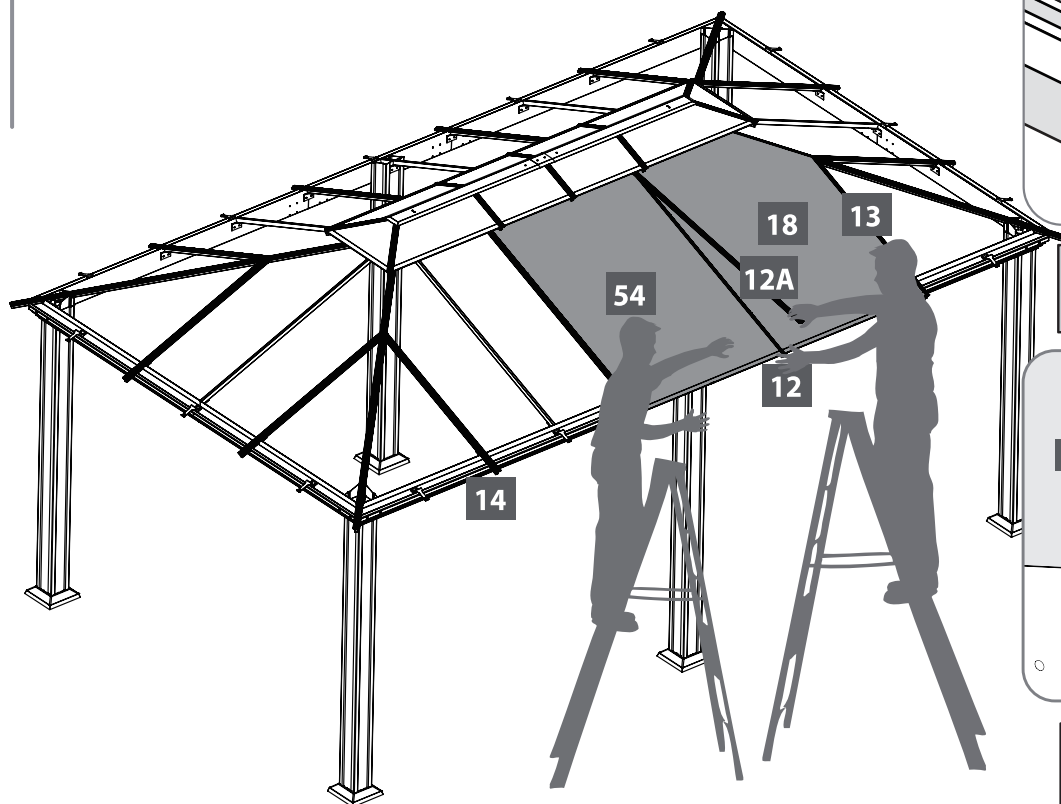
VIEW FROM BELOW



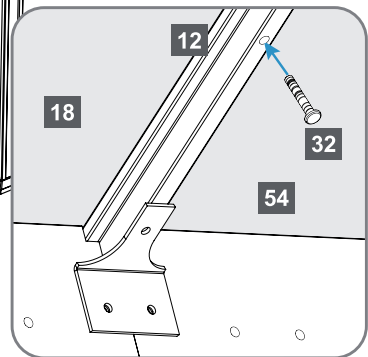
**IMPORTANT:** Make sure that the roof panels are installed exactly in the order shown, otherwise it will be difficult to place the top roof gable profiles.

**7.C**

Place roof profile (12A) on top of roof profile (12) as shown and fasten with screws (32) from below (inside gazebo).



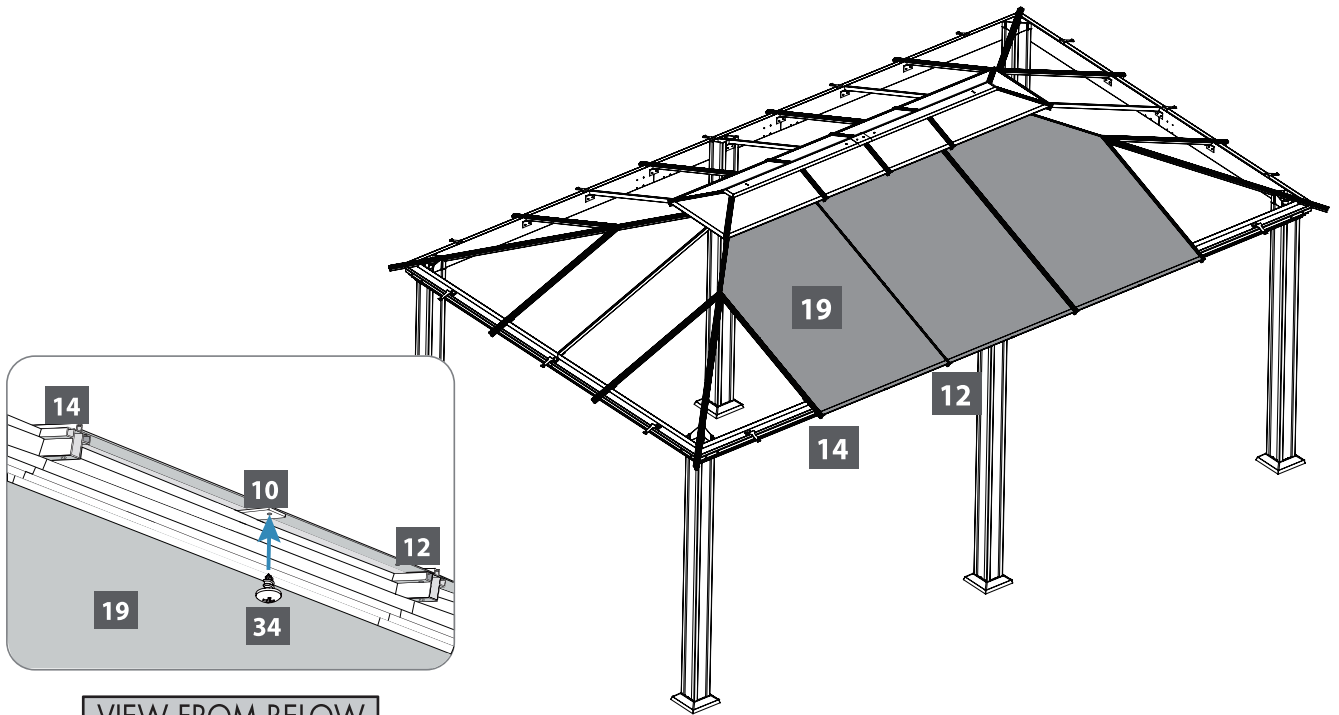
Connecting the upper and lower profiles



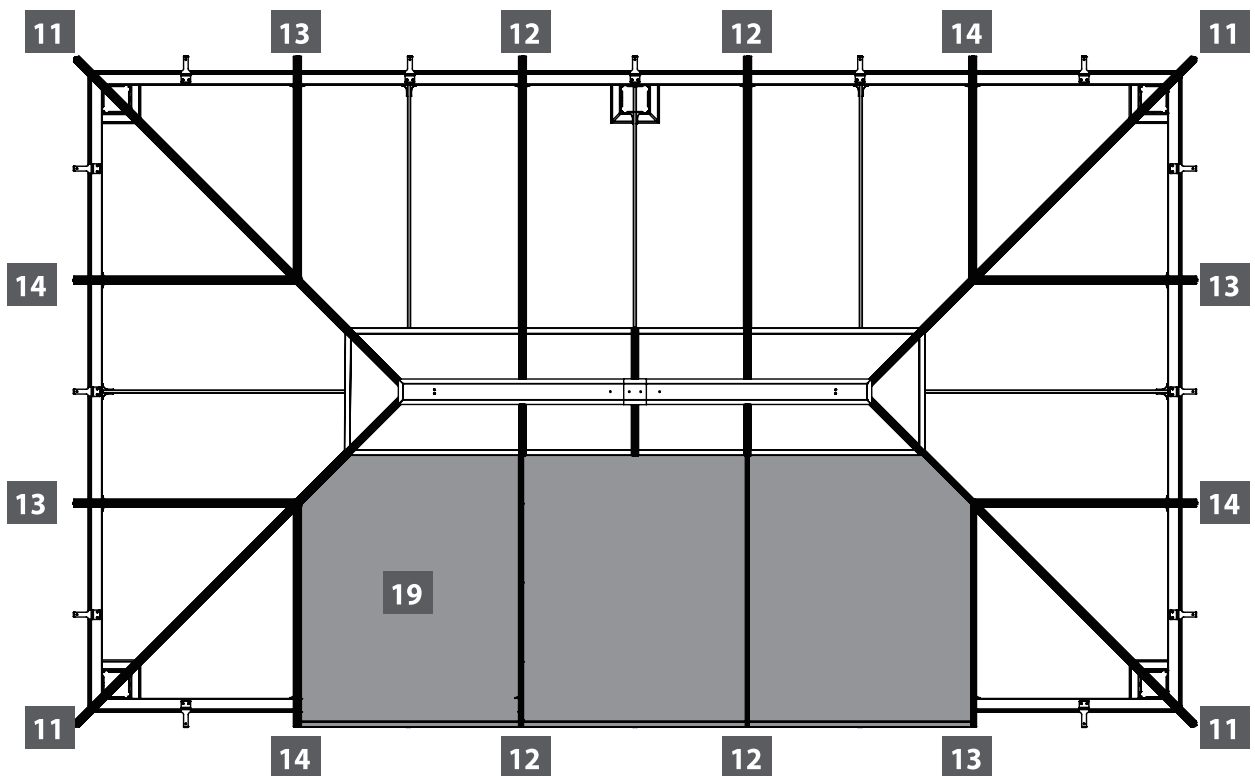
VIEW FROM BELOW (from inside gazebo)

**7.D**

Fit roof panel (19) on top of roof profiles (12 and 14) as shown and fasten with one screw (34) at outer roof connector (10).



VIEW FROM BELOW



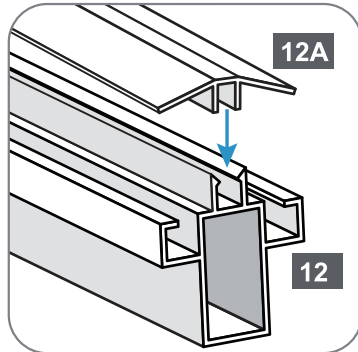
VIEW FROM TOP



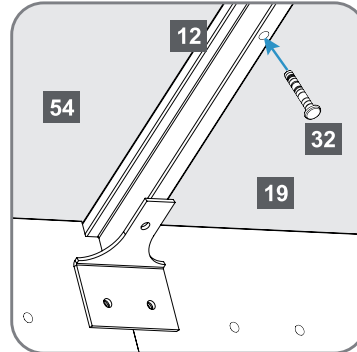
**IMPORTANT:** Make sure that the roof panels are installed exactly in the order shown, otherwise it will be difficult to place the top roof gable profiles.

## 7.E

Place roof profile (12A) on top of roof gable profile (12) as shown and fasten with screws (32) from below (inside gazebo).



Connecting the upper and lower profiles

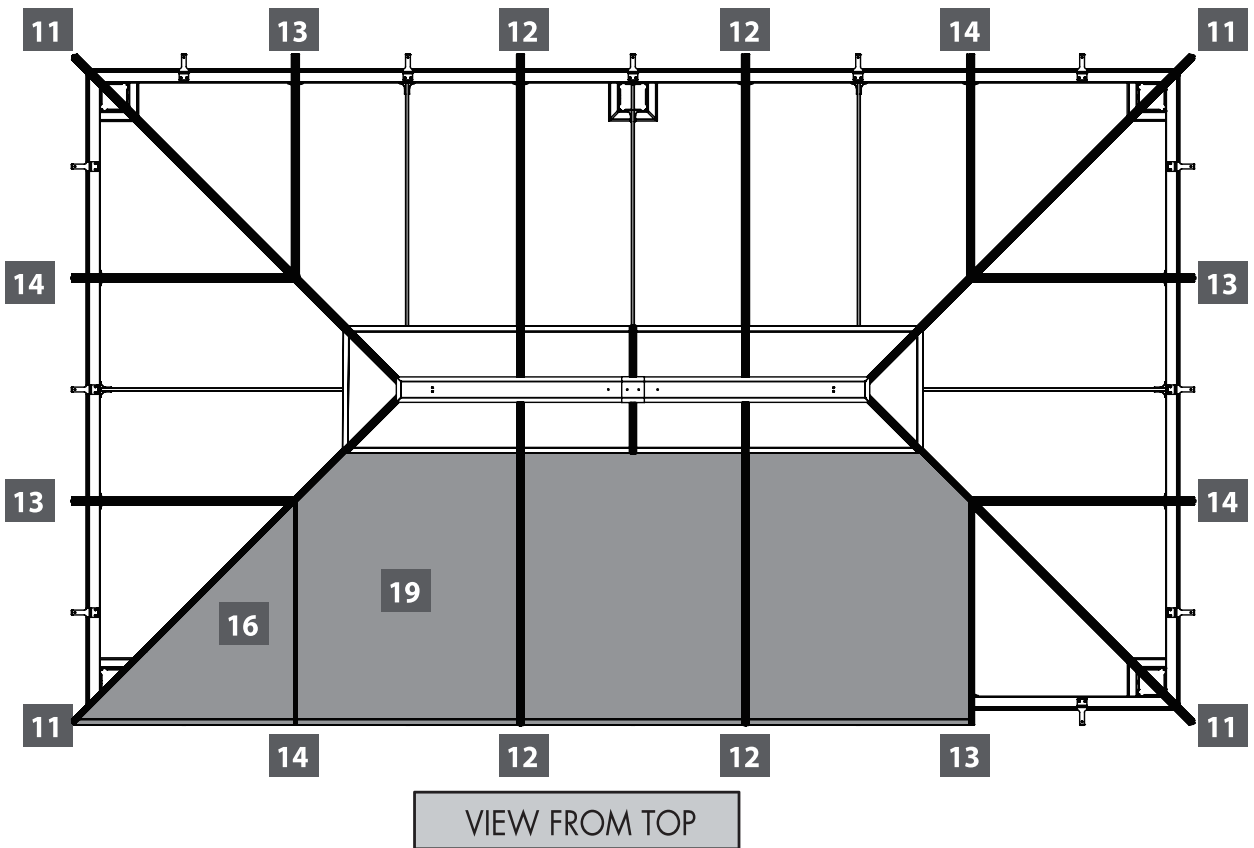
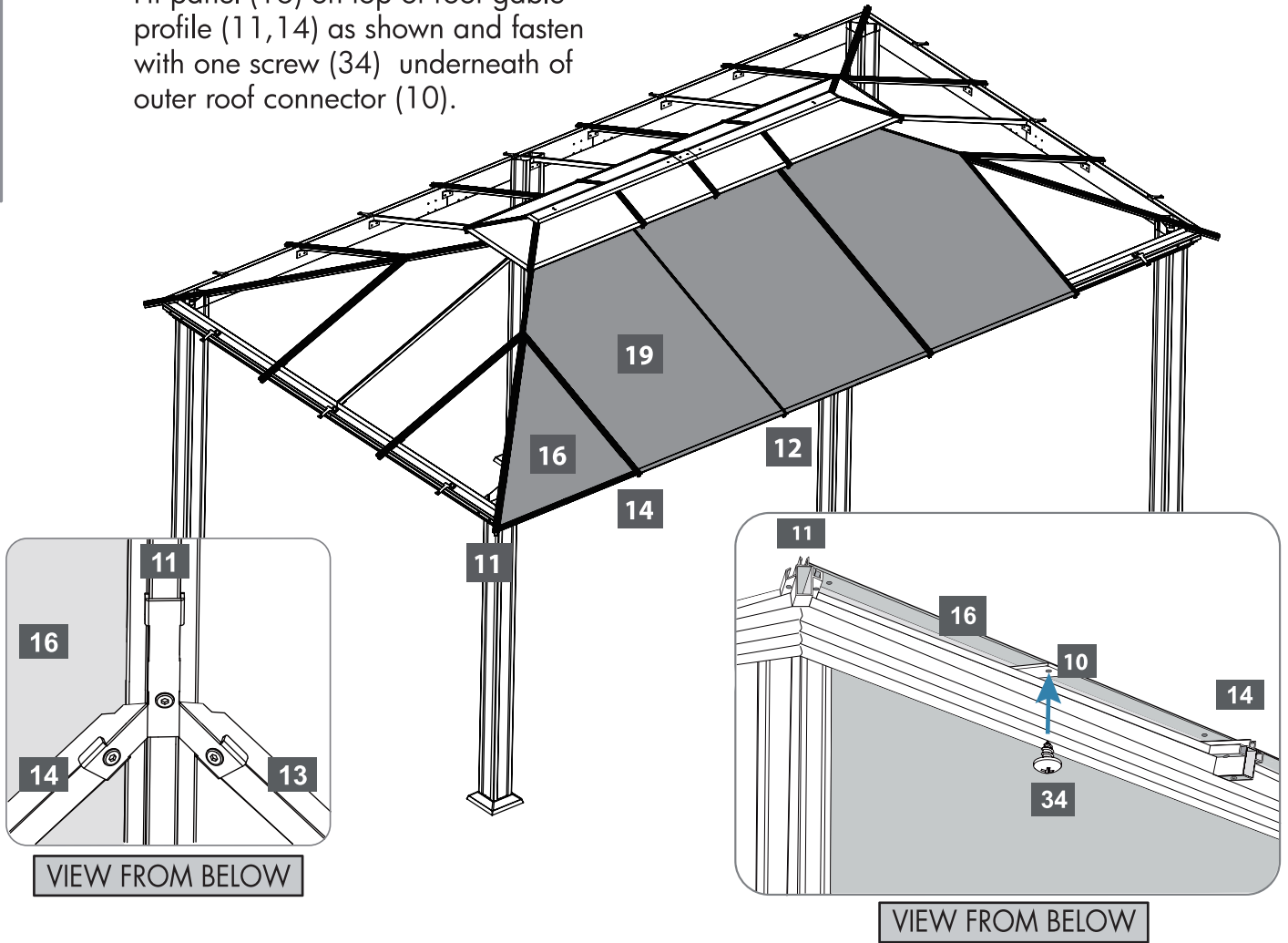


VIEW FROM BELOW  
(from inside gazebo)



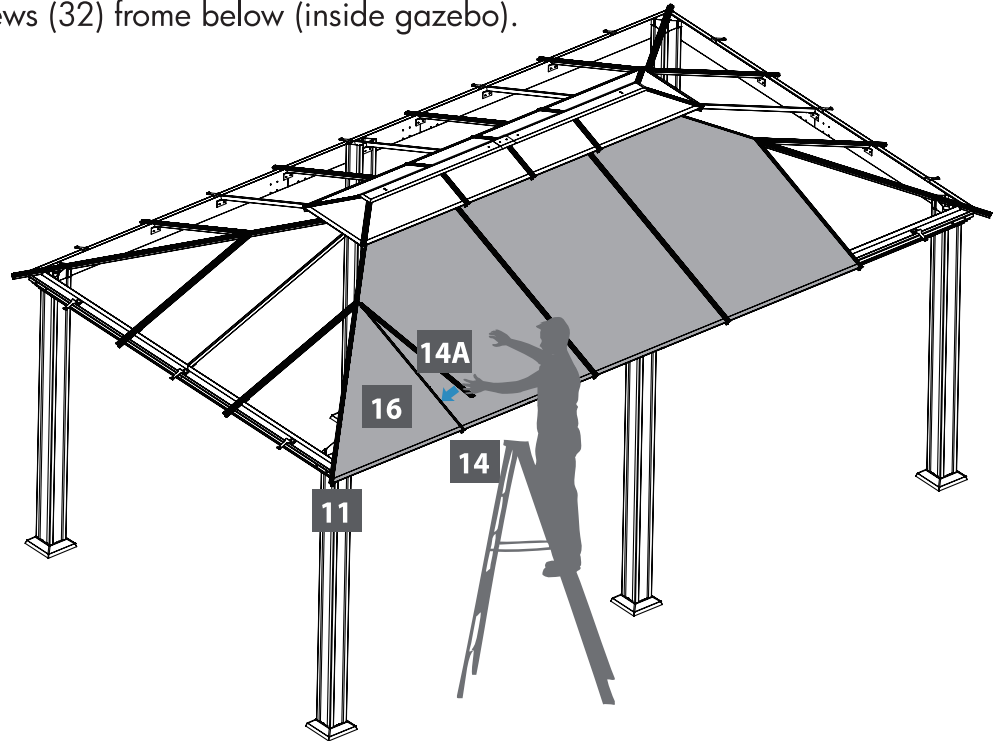
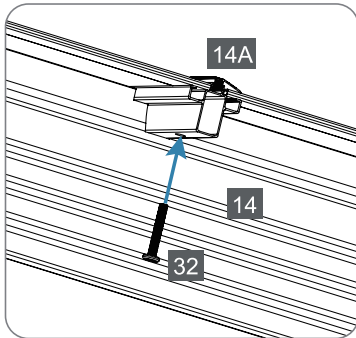
**7.F**

Fit panel (16) on top of roof gable profile (11,14) as shown and fasten with one screw (34) underneath of outer roof connector (10).



## 7.G

Place roof profile (14A) on top of roof profile (14) as shown. Align both profiles. Fasten with two screws (32) from below (inside gazebo).

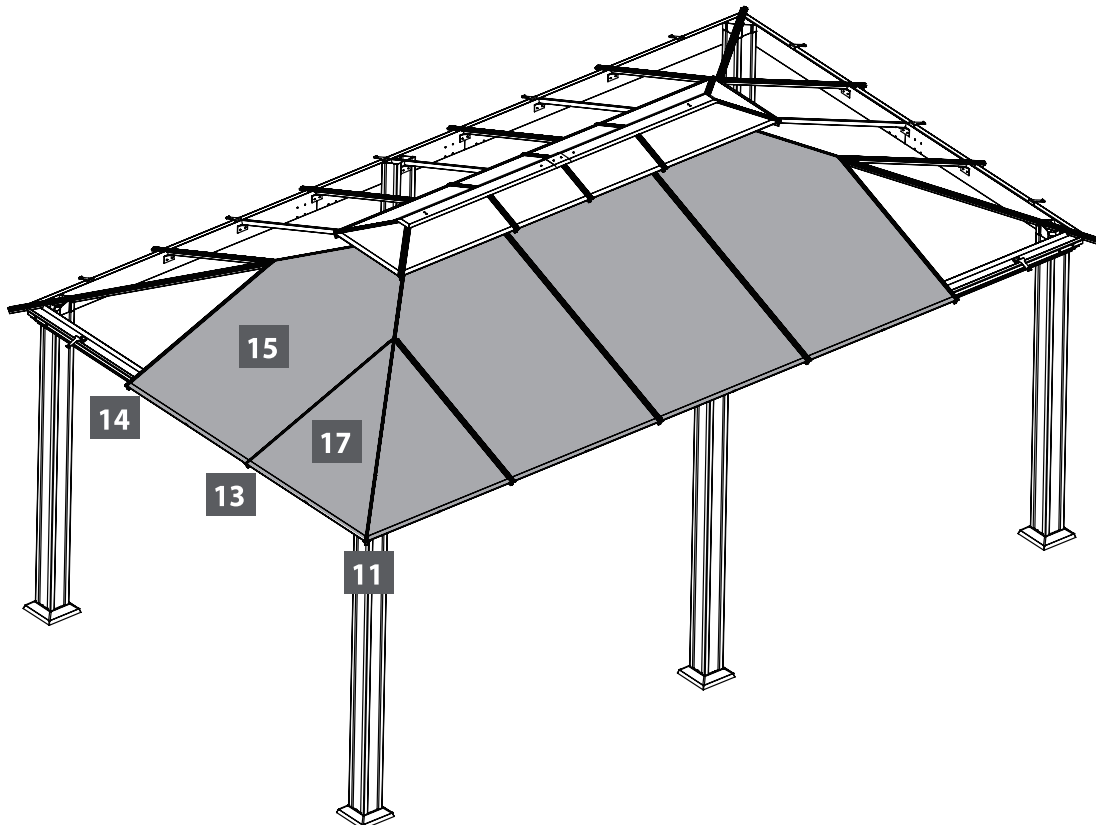


## 7.H

Fit roof panel (15) on top of roof profiles (13,14) and fasten with one screws (34) underneath of outer roof connector (10).

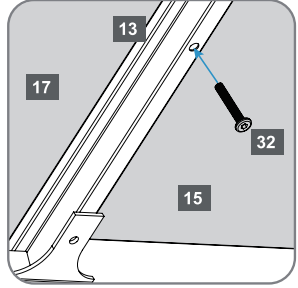
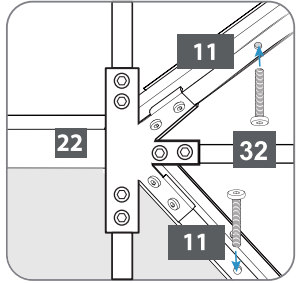
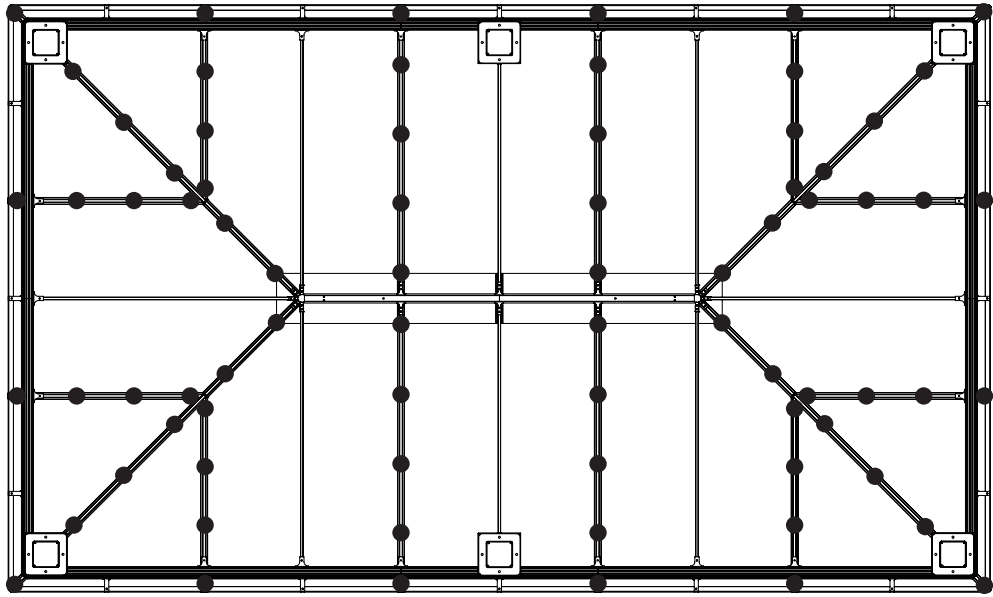
Place profiles (11A) on top of roof profile (11) ; fasten ONLY THE TOP END with 1 screw (32).

Fit roof panel (17) on top profiles (11,13) , fasten with one screw (34) underneath of outer roof connector (10), and then fasten (11A) with screw (32).



VIEW FROM BELOW  
(from inside gazebo)

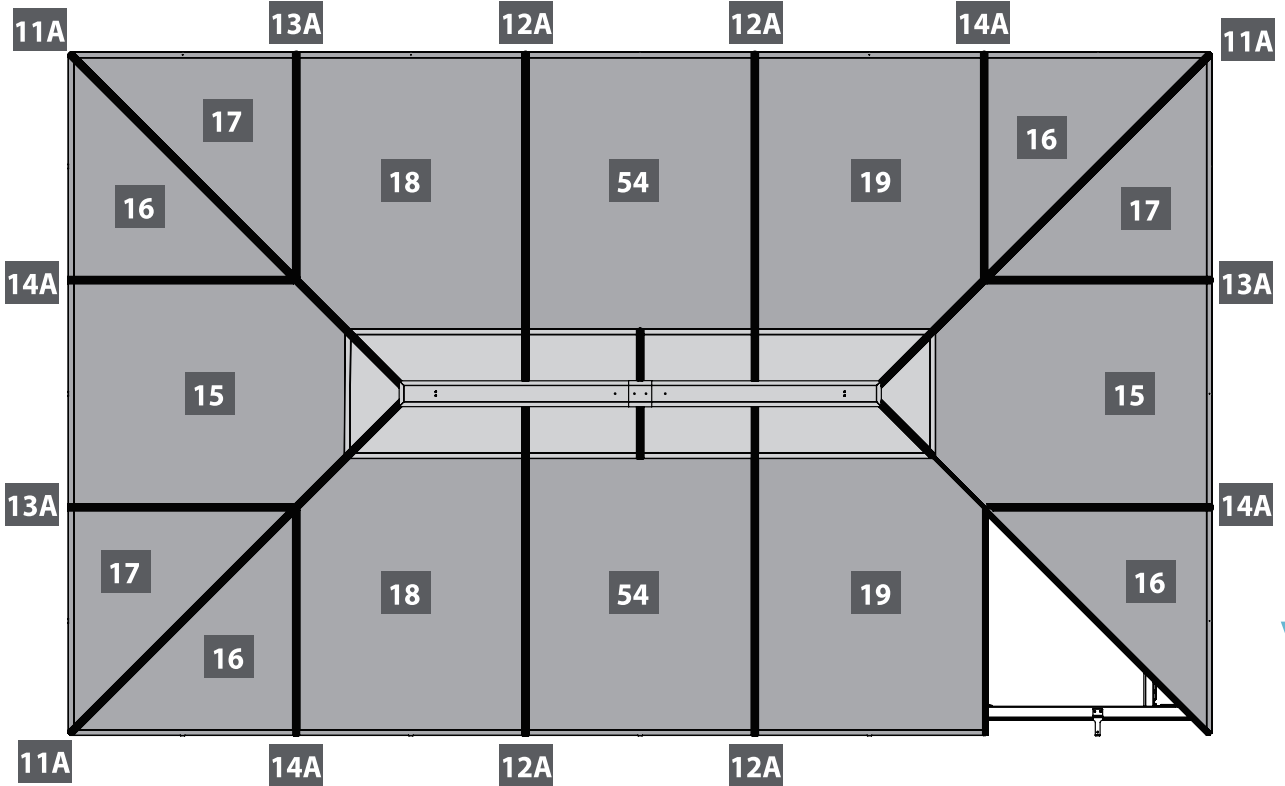
● Positions of screws (32) from below roof



VIEW FROM BELOW

**7.1**

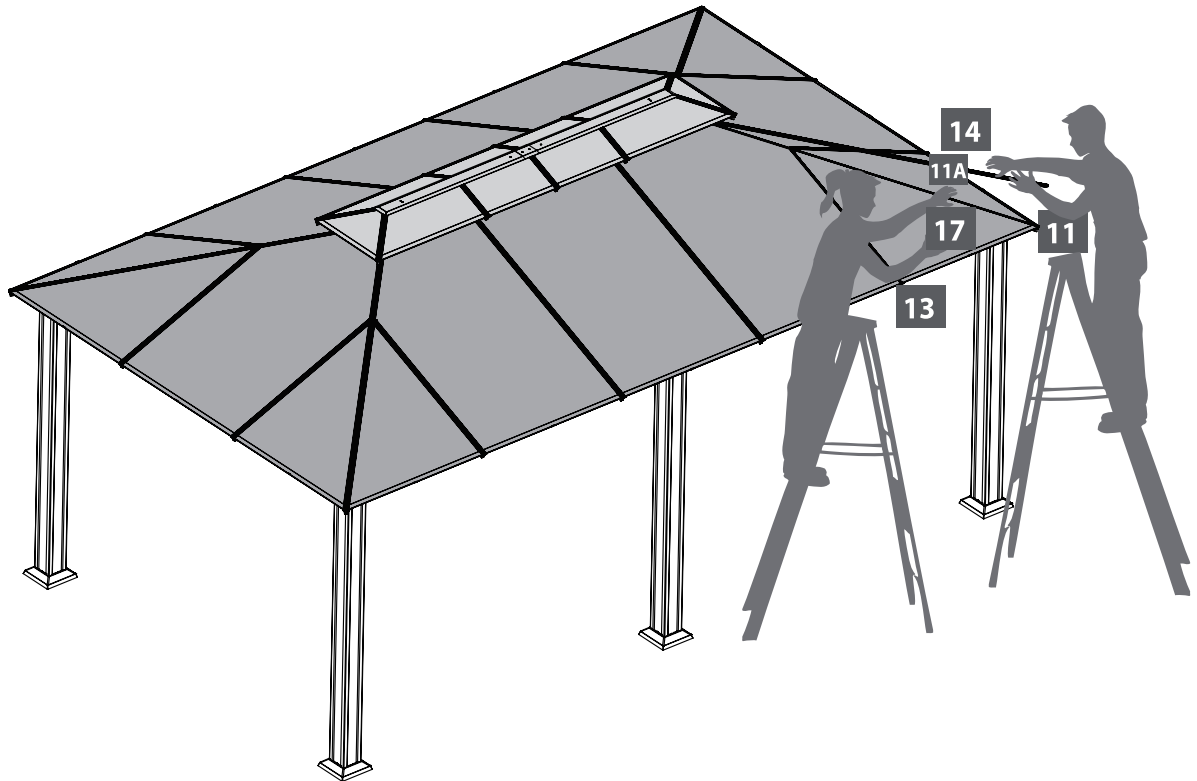
Continue in a clock-wise direction as shown.



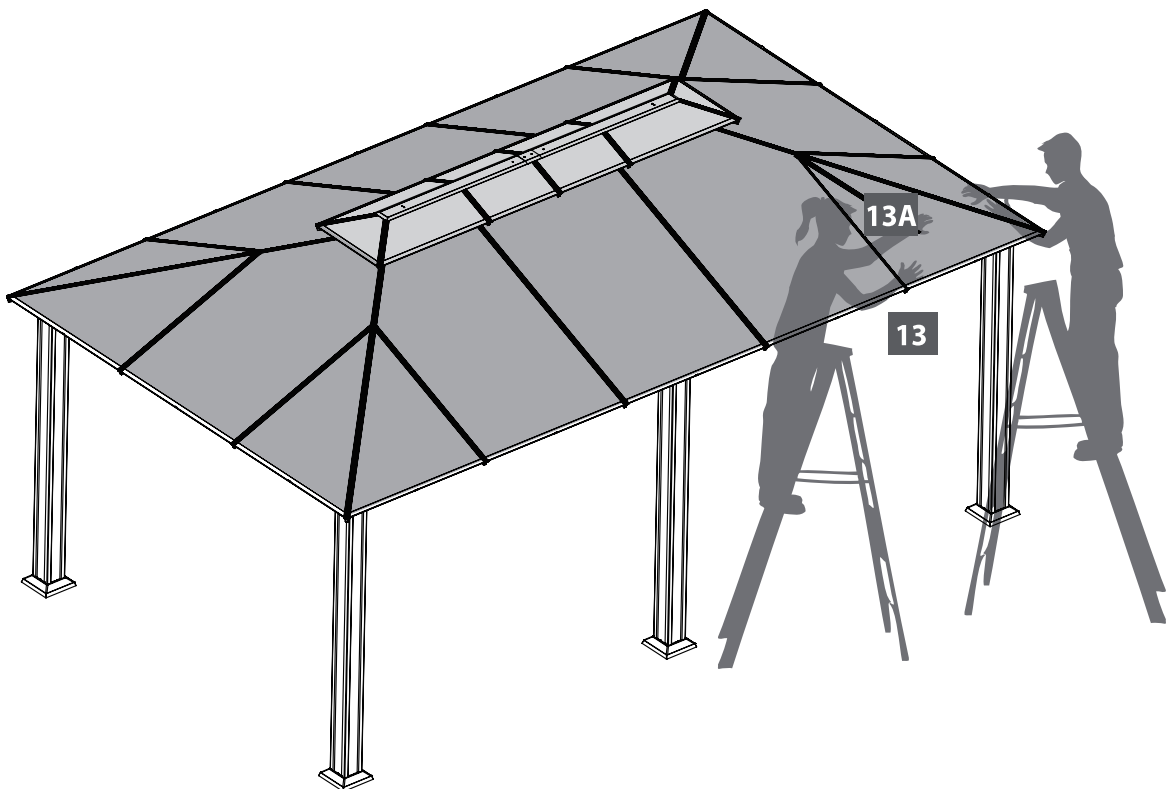


**7.J**

Place the roof panel (16,17) on top of profiles (11,13,14) ,  
fasten with screw (34) from below.  
Place the roof gable profile (11A) on top  
of roof gable profile (11) , fasten with screw (32)  
from below.

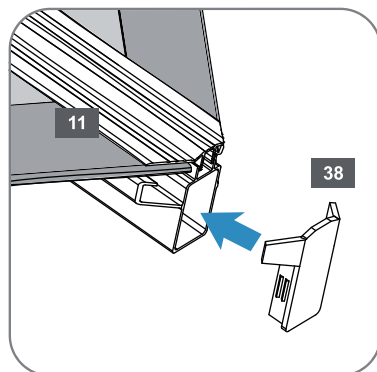
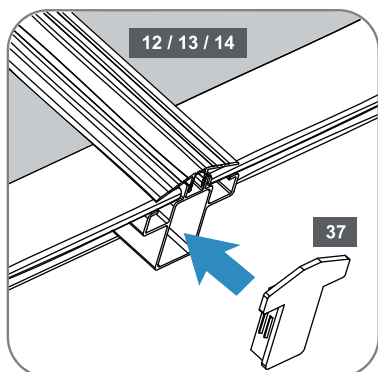
**7.K**

Place the roof gable profile (13A) on top of roof gable profile (13) ,  
fasten with screw (32) from below.

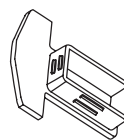


## STEP 8 Installing the Plastic Caps

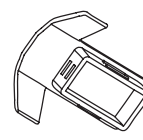
Close off roof profiles (12,13,14) with plastic caps #1 (37) and roof profiles (11) with plastic caps #2 (38).



### Components

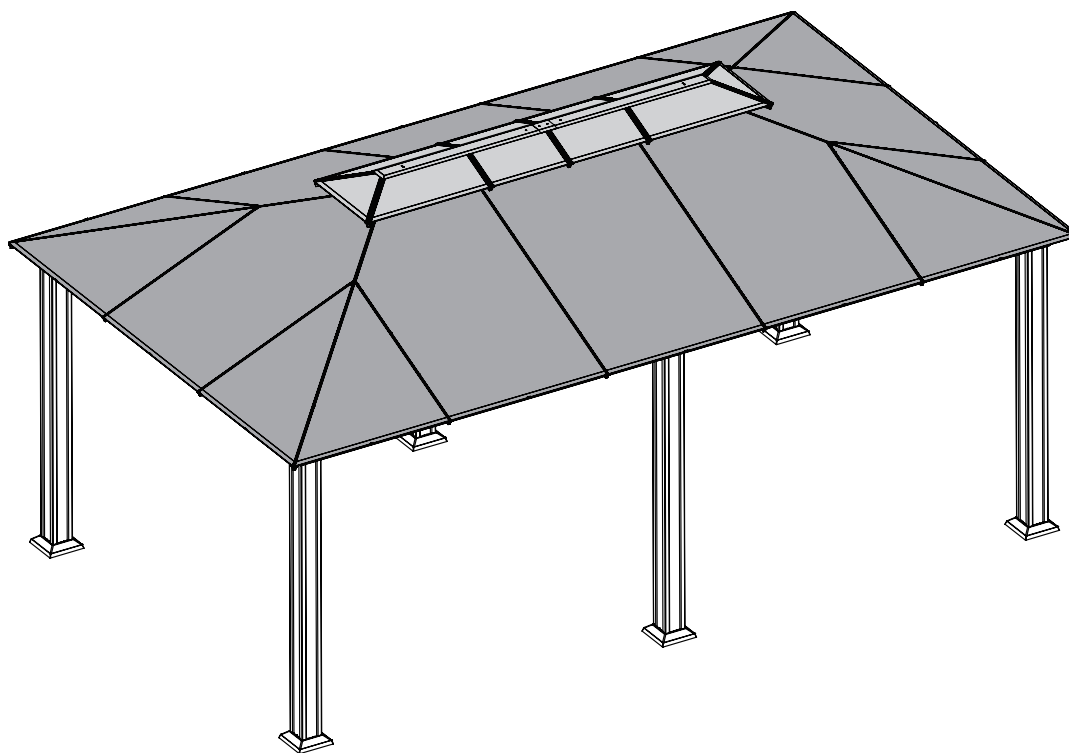


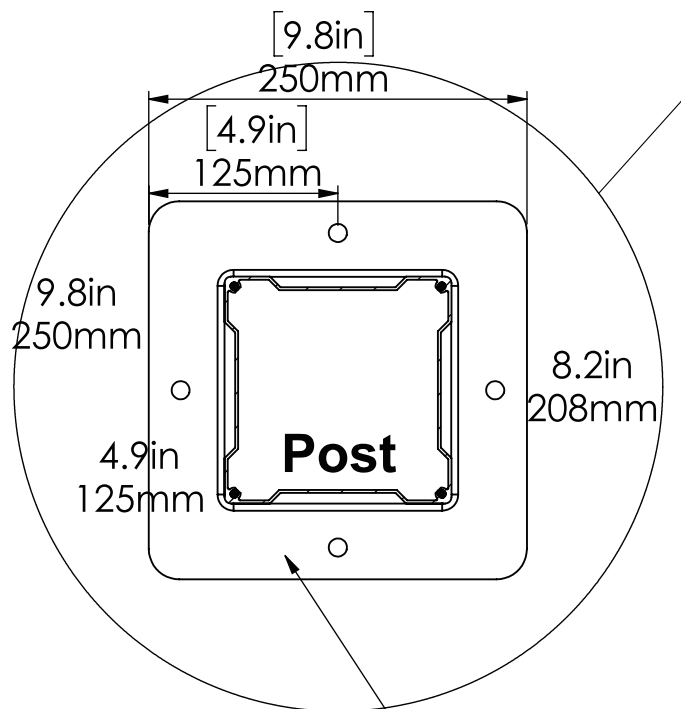
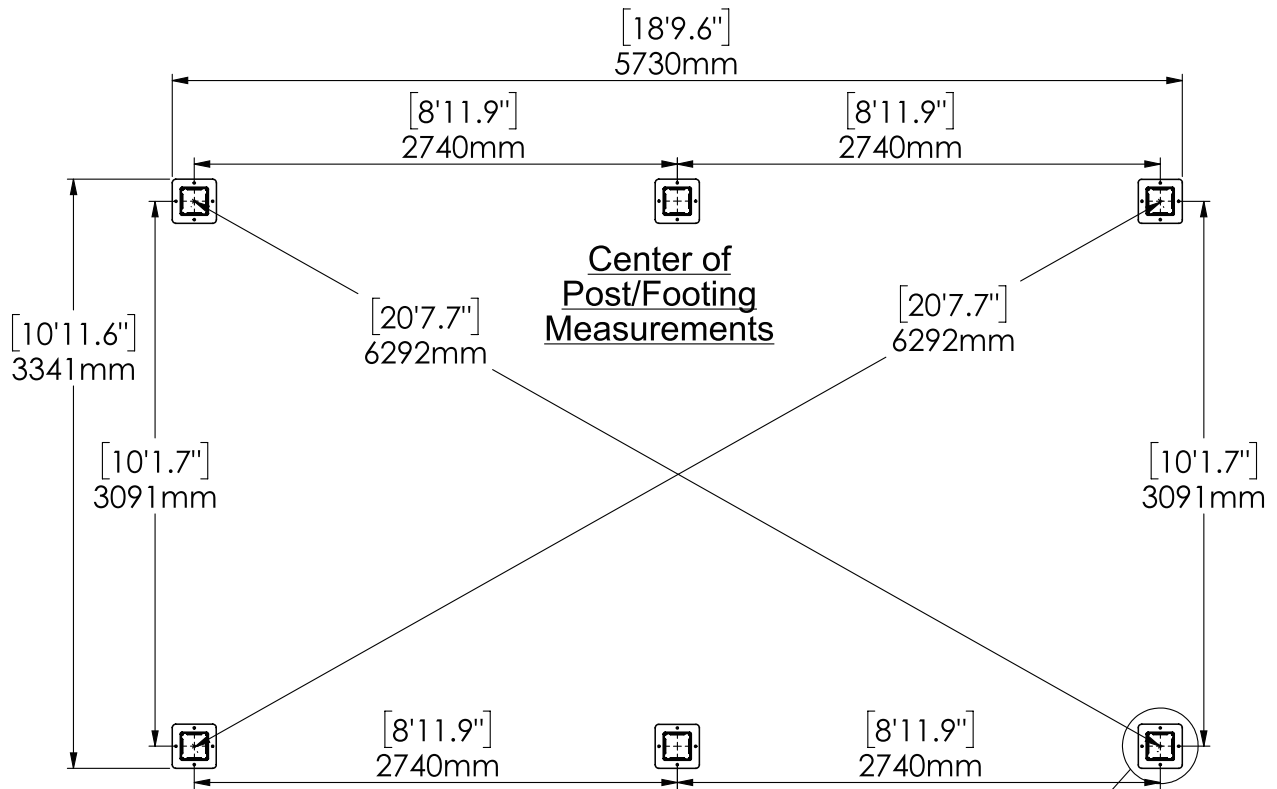
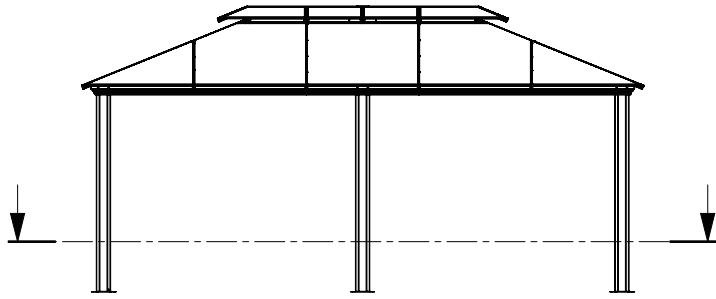
Plastic Cap #1 (37)  
x 12



Plastic Cap #2 (38)  
x 4

Enjoy your Completed Gazebo!





**Post Mount**

**Post Detail**



# Gazebo GZH3-1220BK

## Aluminium Composite Roof Panels

### Assembly Instructions

#### WARRANTY:

Warranty covers damage due to manufacturing defects only for a period of 5 years on the structure, and 5 years on the Aluminum Shell from date of purchase. Warranty does not cover weather inflicted damage and/or damages caused by not following assembly instructions and adhering to warnings in manual. Warranty does not cover user error, negligence, or misuse.



**WARNING:** Cancer and Reproductive Harm-  
[www.P65Warnings.ca.gov](http://www.P65Warnings.ca.gov).



**AVERTISSEMENT:** Cancer et Troubles de l' appareil reproducteur-  
[www.P65Warnings.ca.gov](http://www.P65Warnings.ca.gov).



**ADVERTENCIA:** Cáncer y Daño Reproductivo-  
[www.P65Warnings.ca.gov](http://www.P65Warnings.ca.gov).

ATTENTION: Roof profiles, roof panels and gables must be aligned properly during assembly to minimize any possibility of leaking.



  @paragonoutdoorcompany

Paragon Group USA

Customer Service: (877) 782 4482 Email: [cs-outdoors@paragongroupusa.com](mailto:cs-outdoors@paragongroupusa.com)