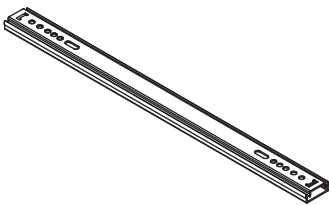
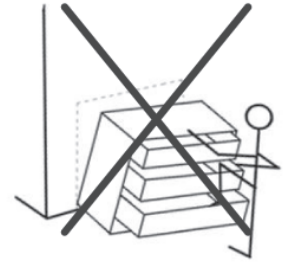
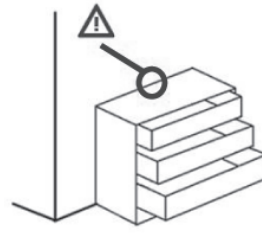
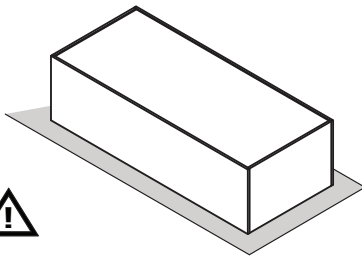
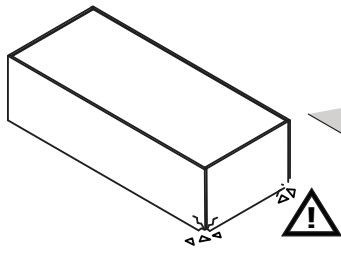
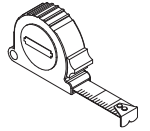
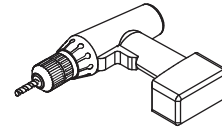
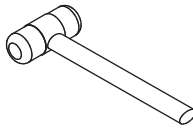
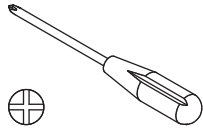
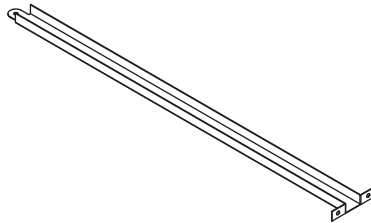




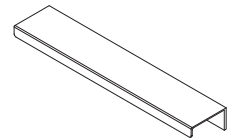
2,5h



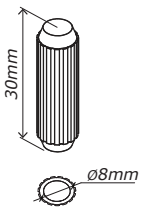
A34
x8



W420
x4



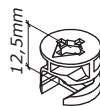
M94
x6



H1
x12



T28
x18



T7
x4



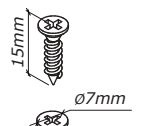
T98
x8



T99
x6



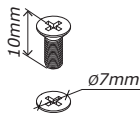
V38
x8



V5
x32



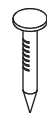
T53
x4



V107
x8



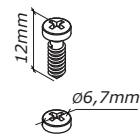
H2
x12



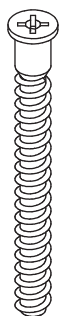
H15
x10



H54
x20



V98
x12



V115
x2



H113
x12



H139
x6



R40
x16



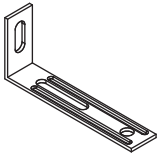
G31
x12



G128
x8



G57
x4



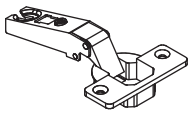
H185
x1



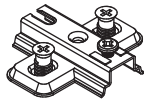
H129
x2



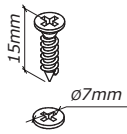
V81
x2



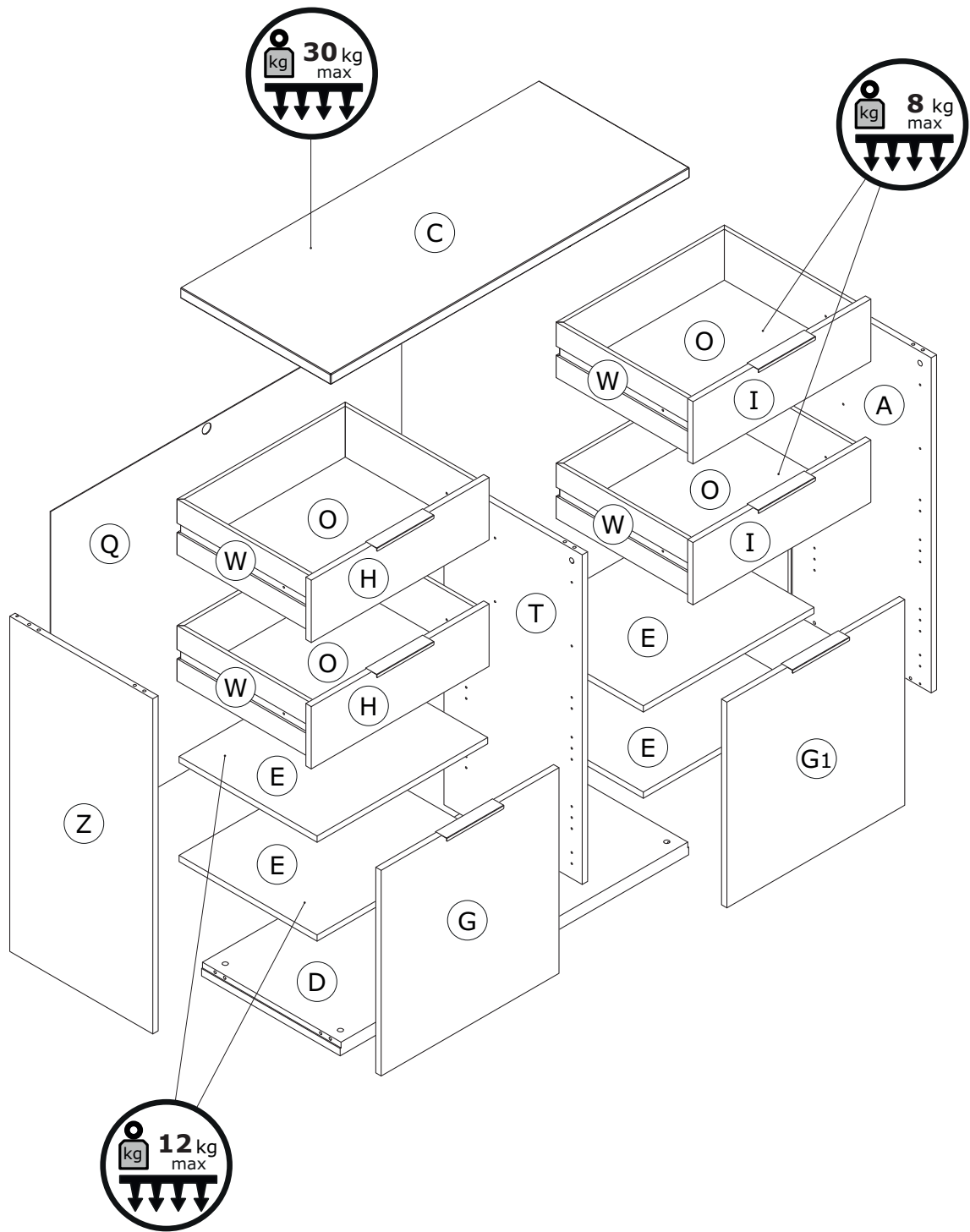
C66
x4

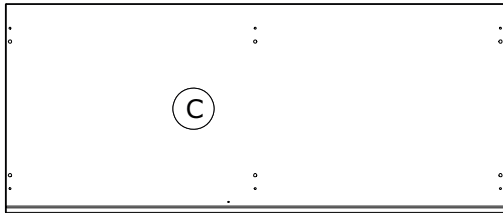


B30
x4

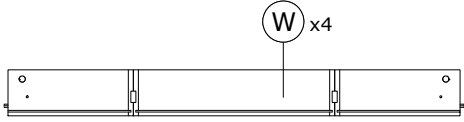


V5
x8

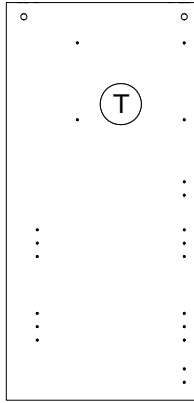




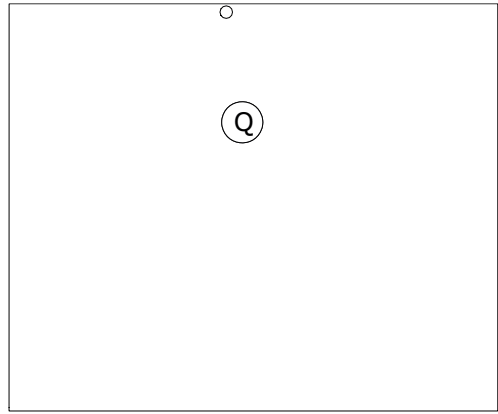
1196x500x30mm



450x561x450mm H.160mm

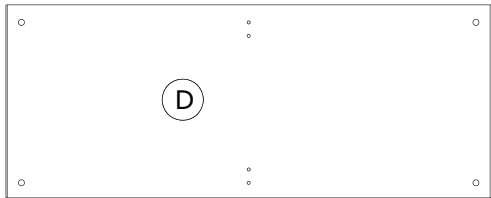


952x461x18mm

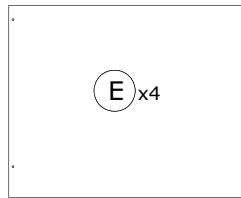


1170x975x2mm

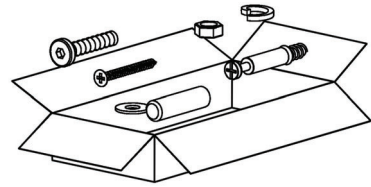
BOX 1/3



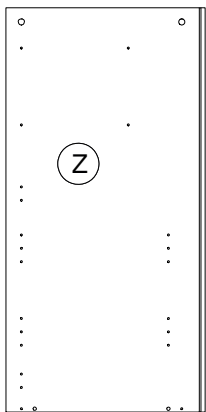
1162x462x38mm



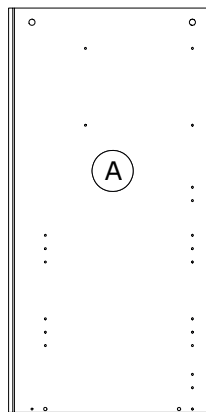
569x460x18mm



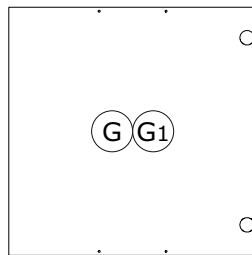
BOX 2/3



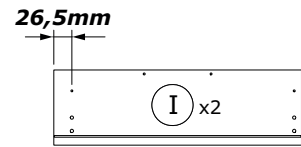
968x477x18mm



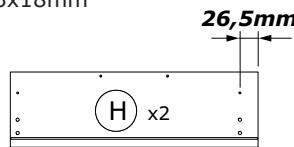
968x477x18mm



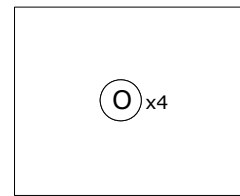
594x593x18mm



593x180x18mm



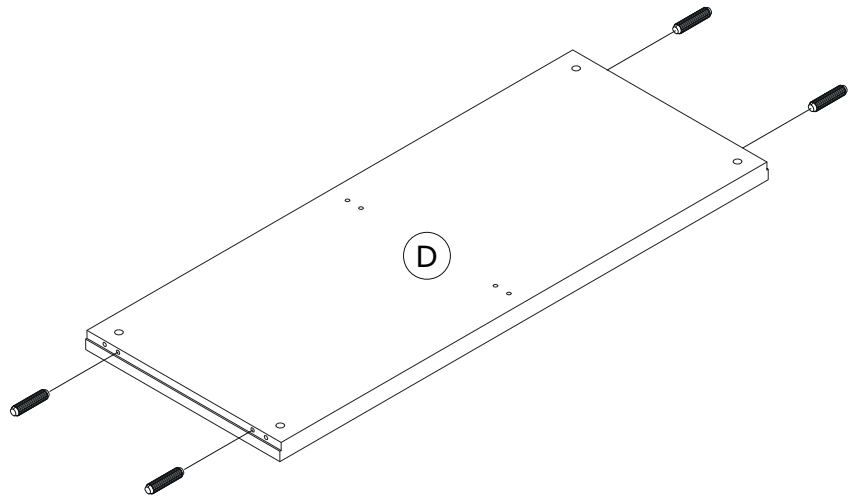
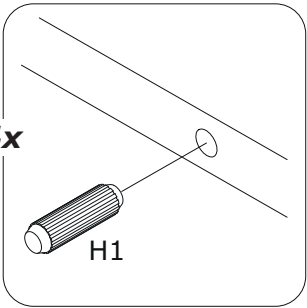
593x180x18mm



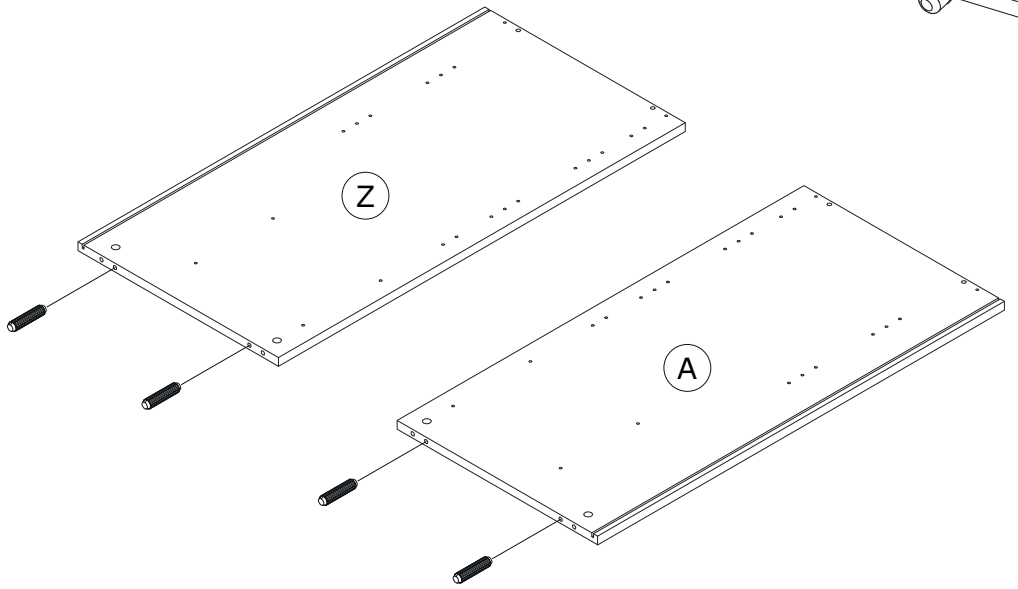
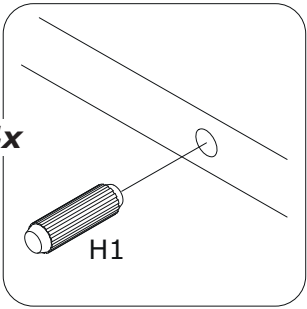
548x451x2mm

BOX 3/3

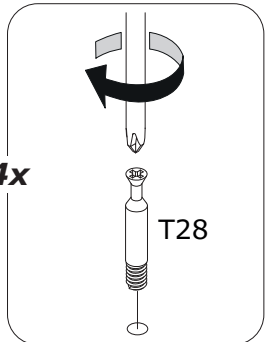
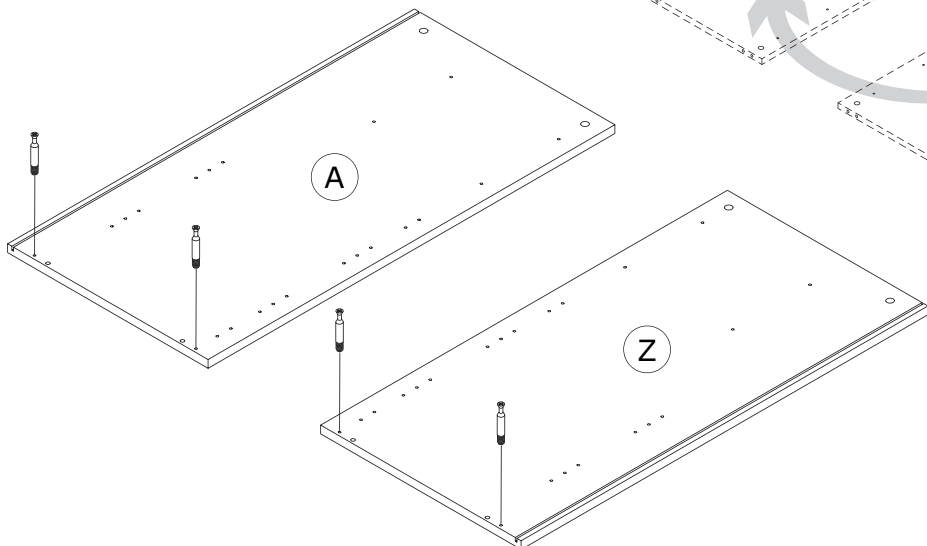
1



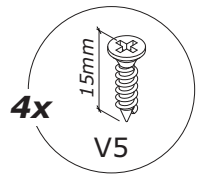
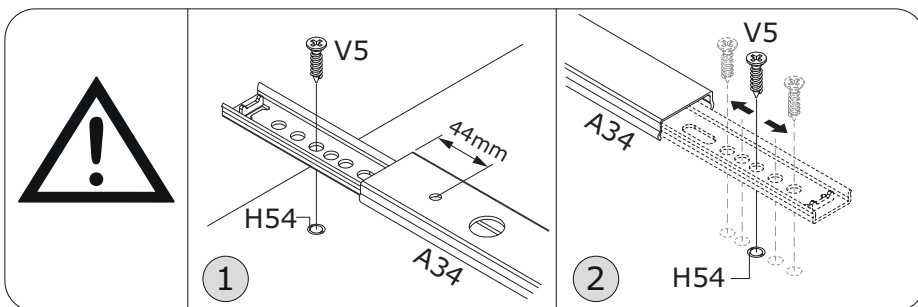
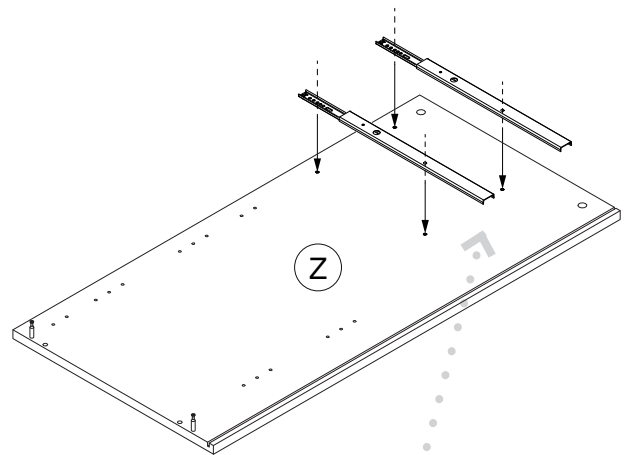
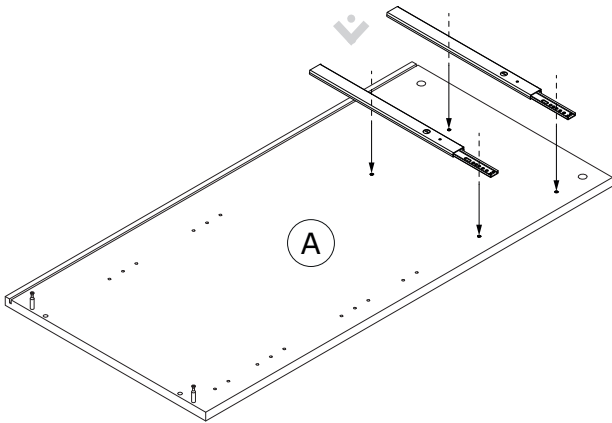
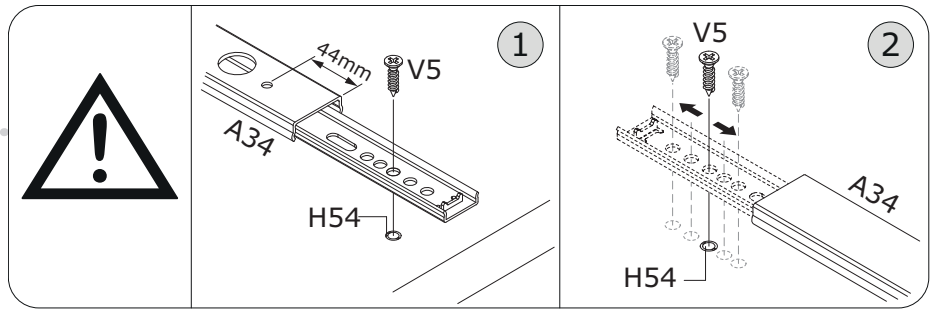
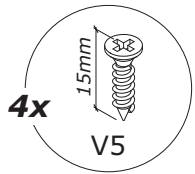
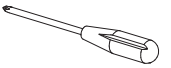
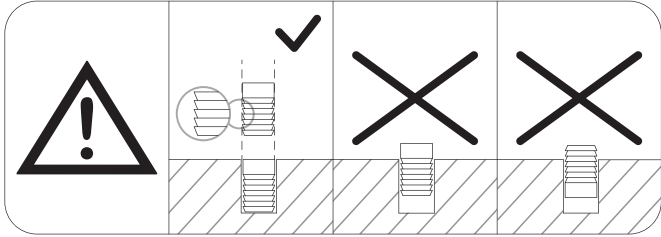
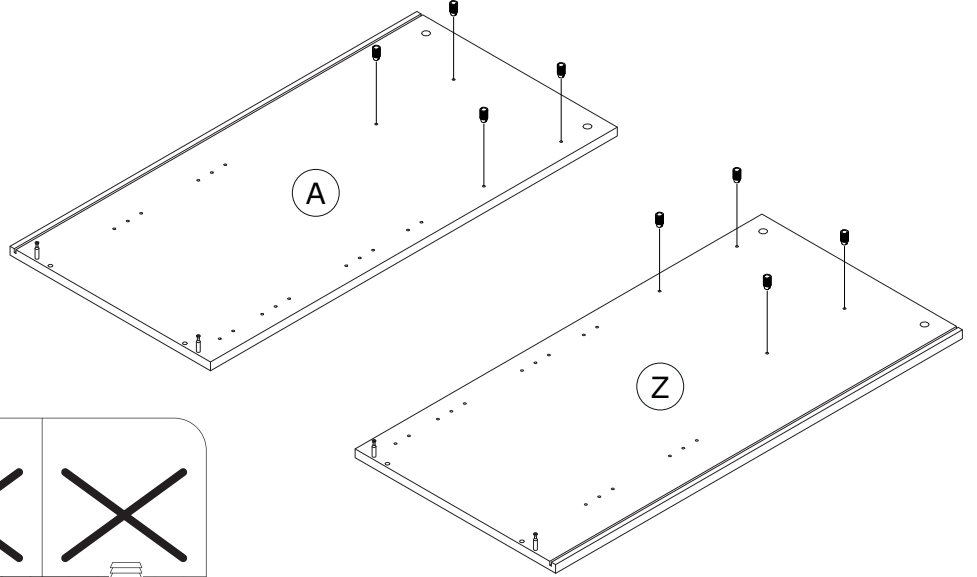
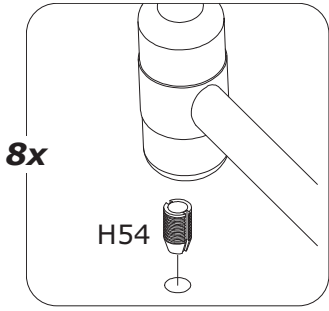
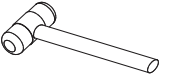
2



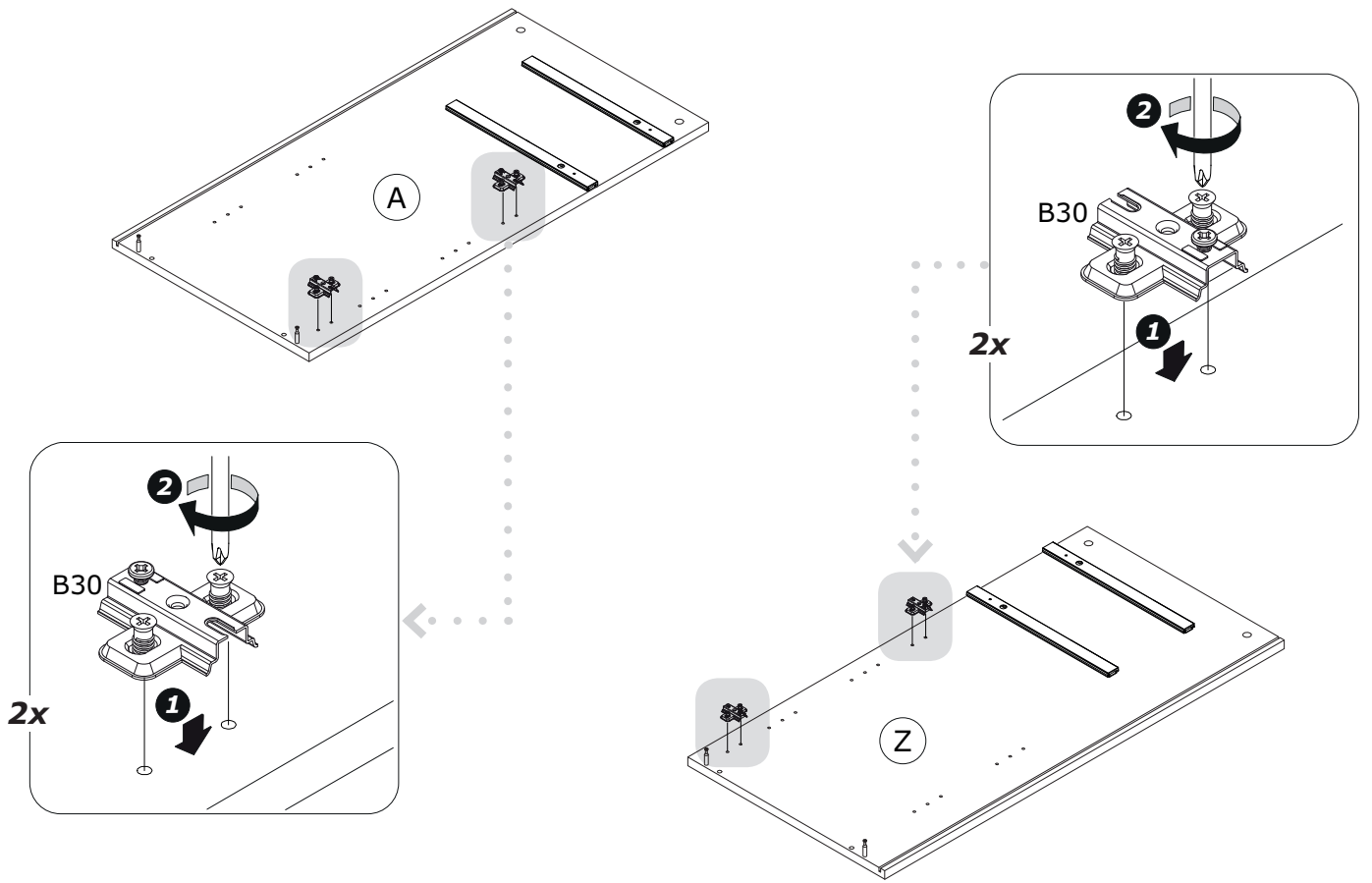
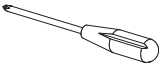
3



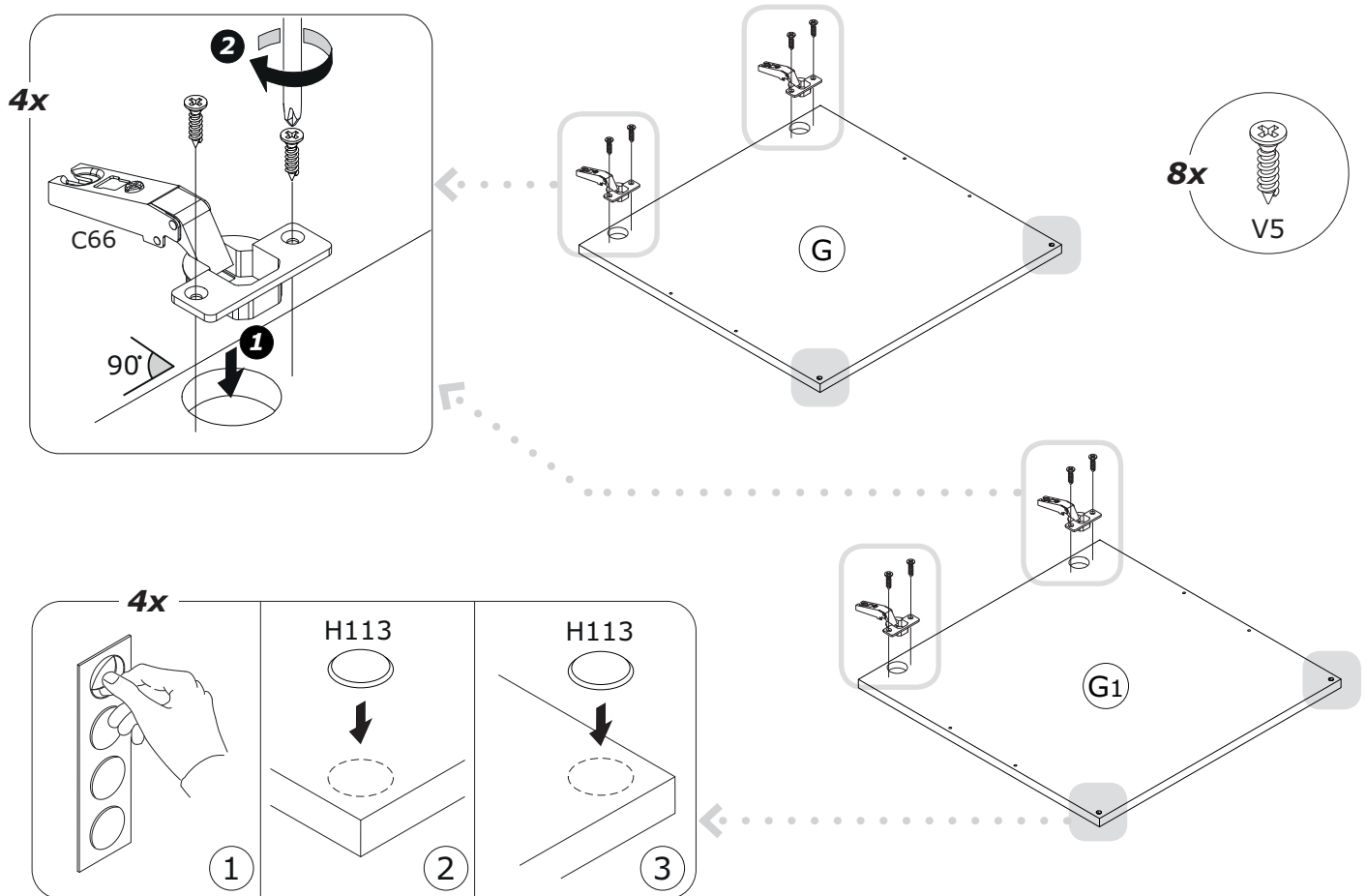
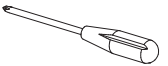
4



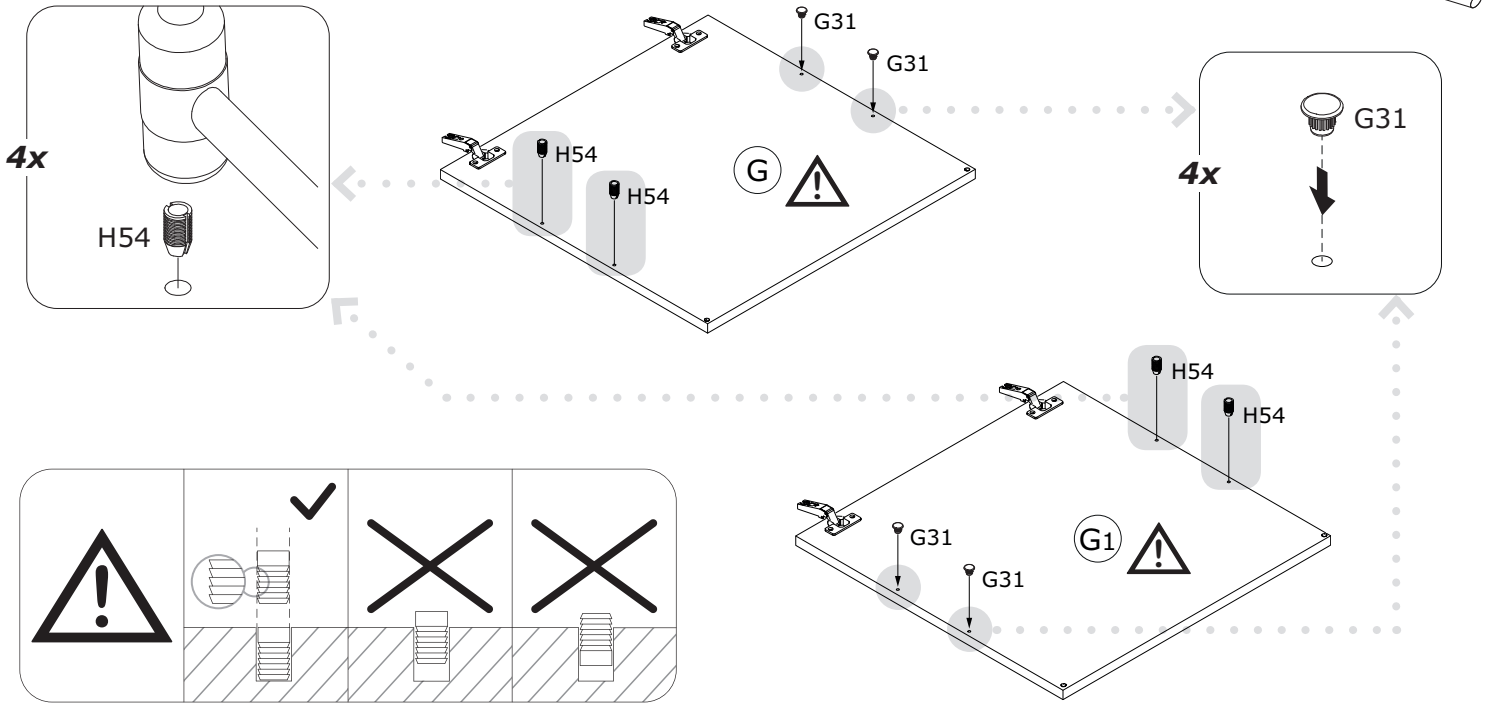
5



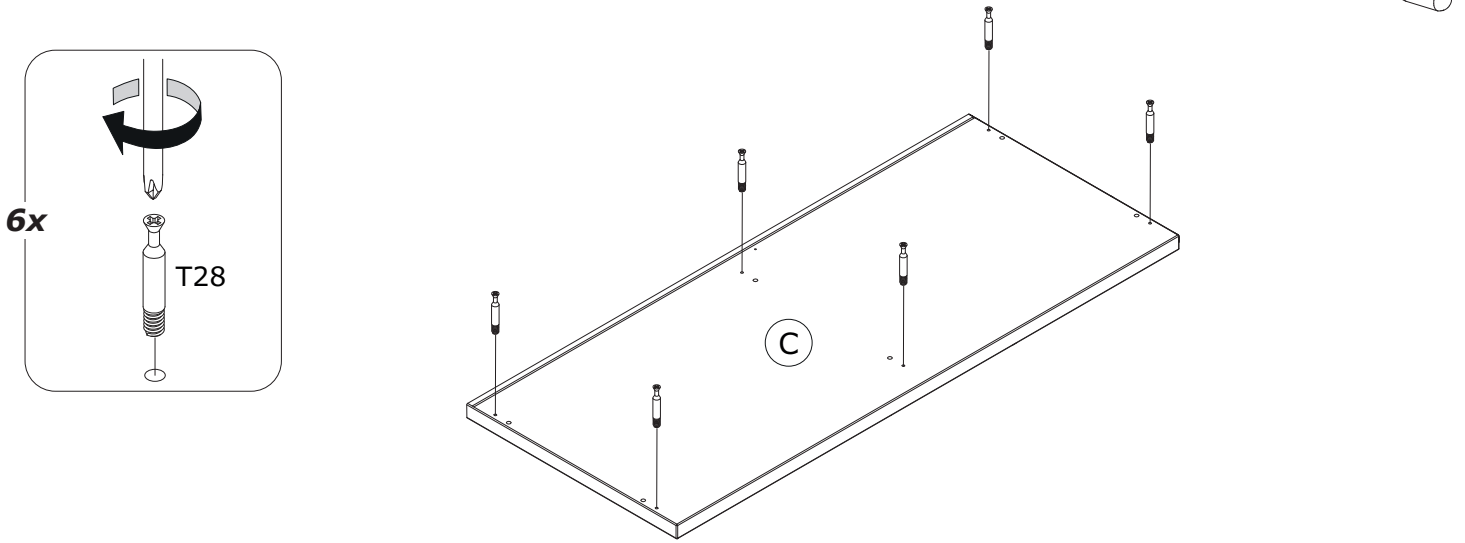
6



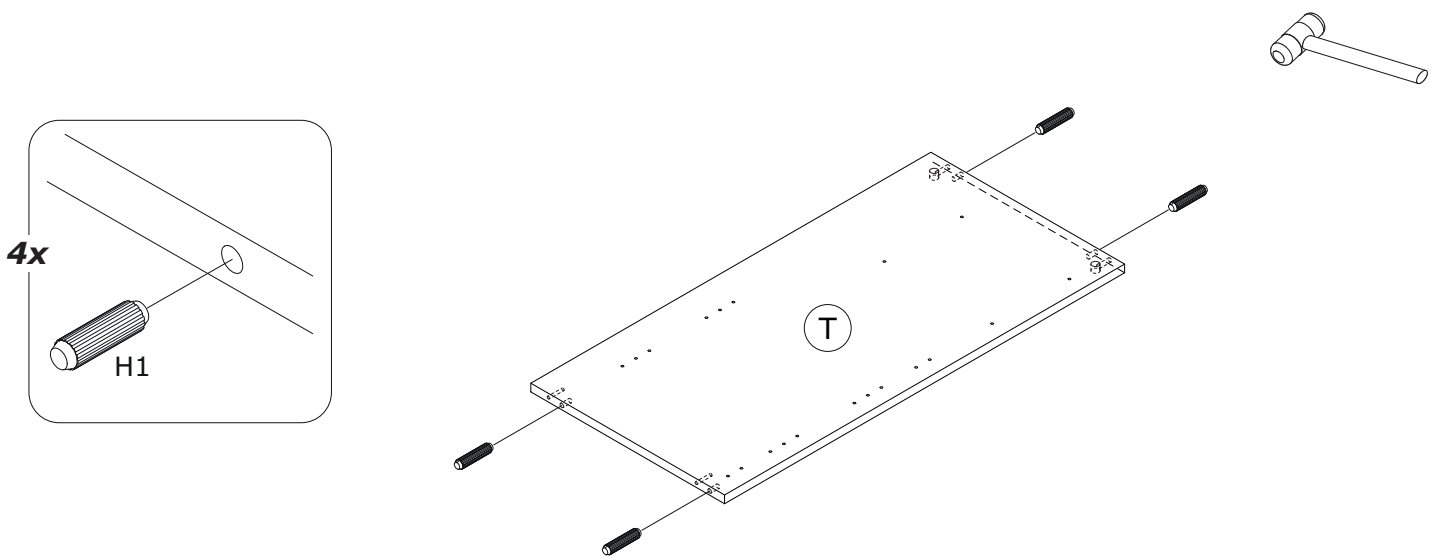
7



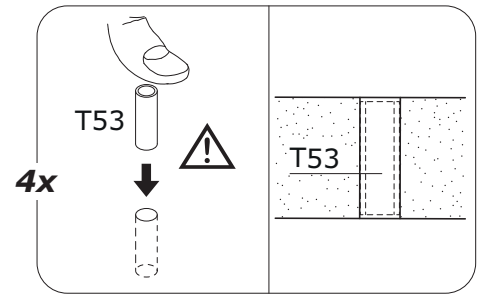
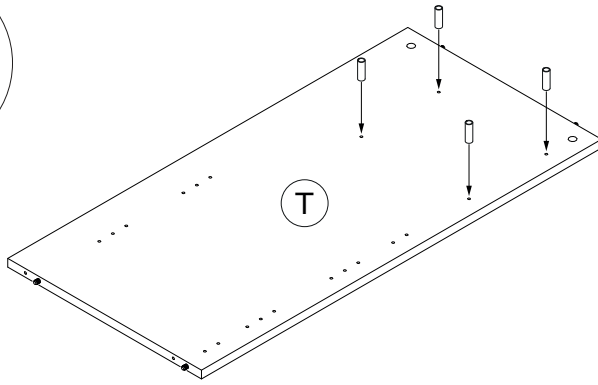
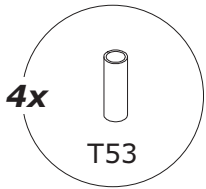
8



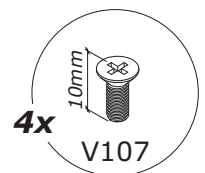
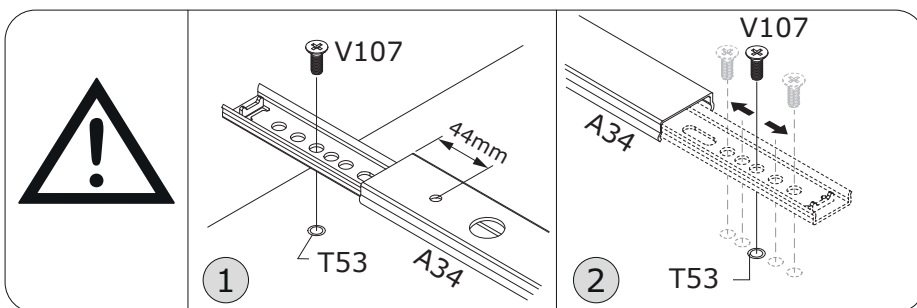
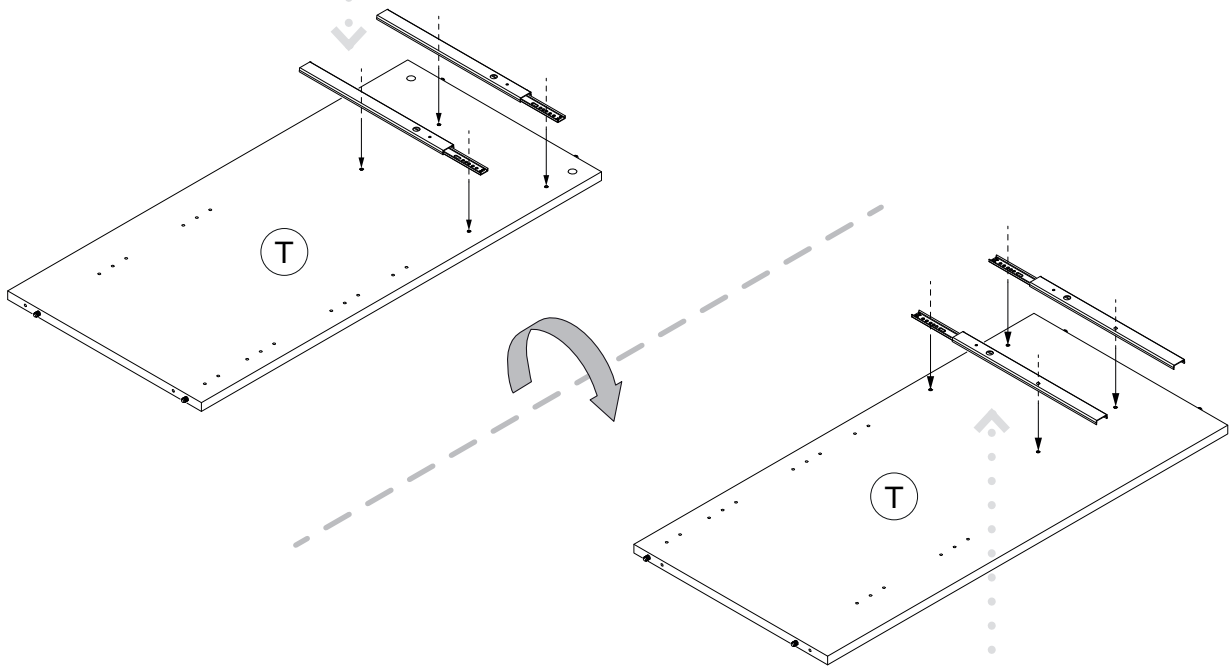
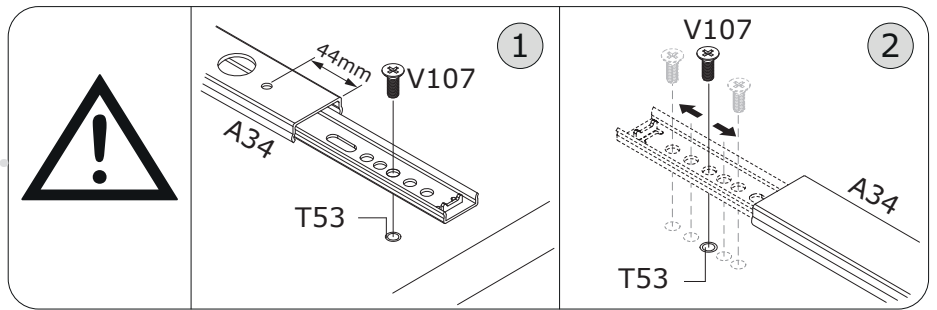
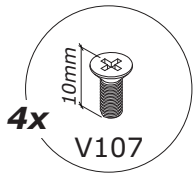
9



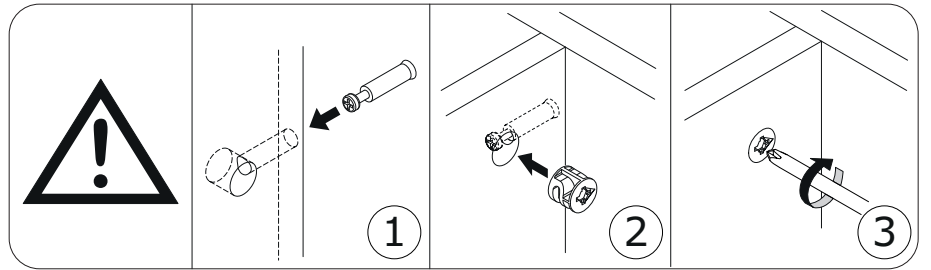
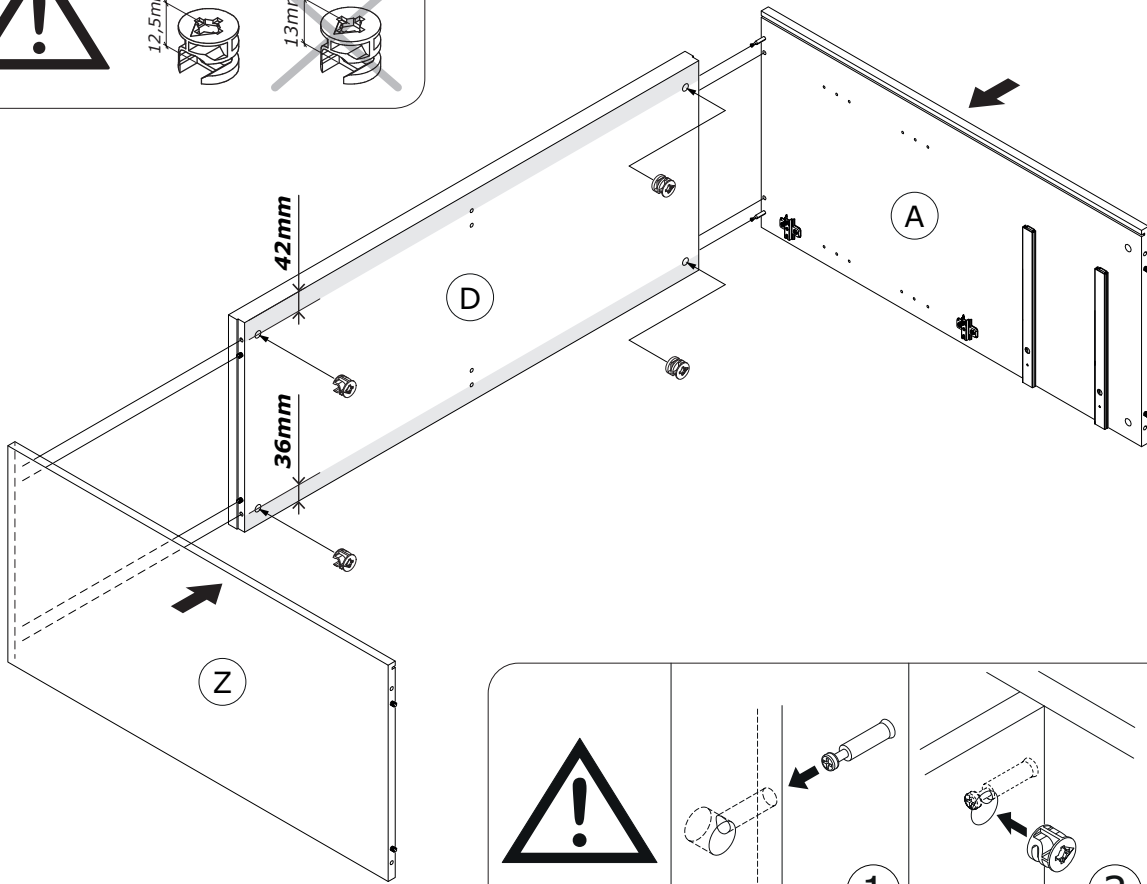
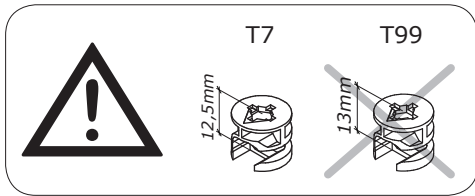
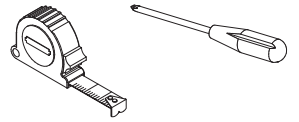
10



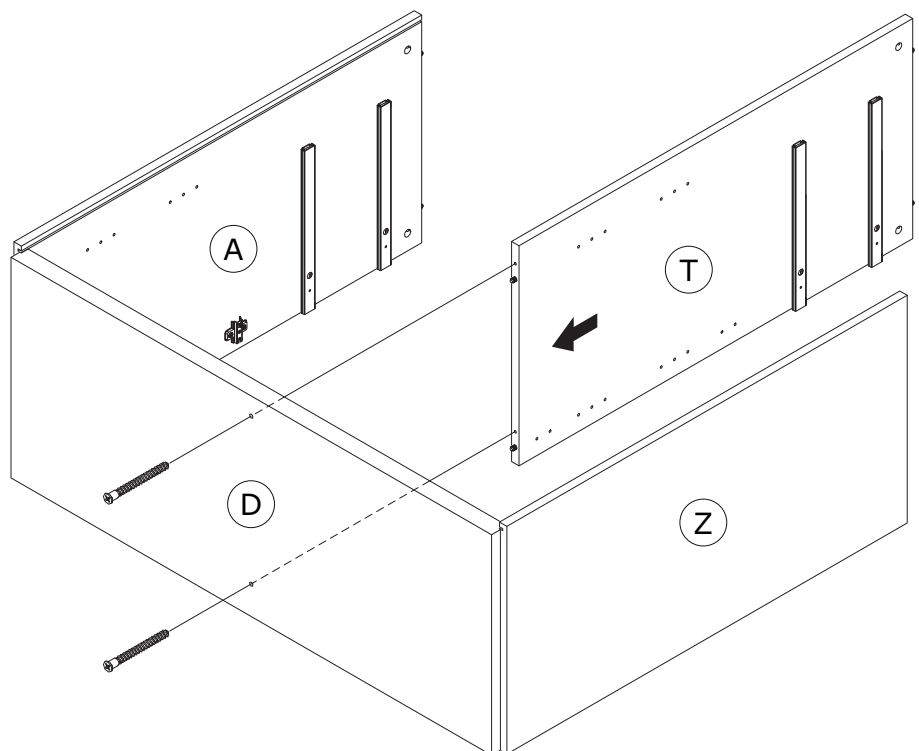
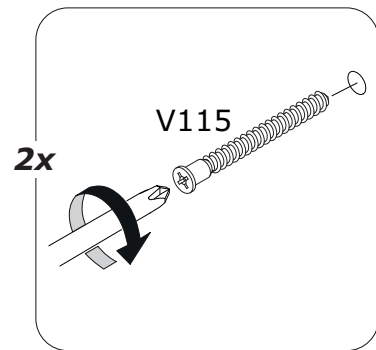
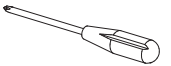
11



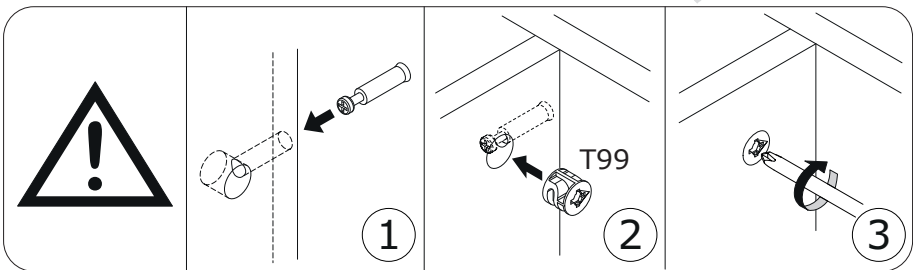
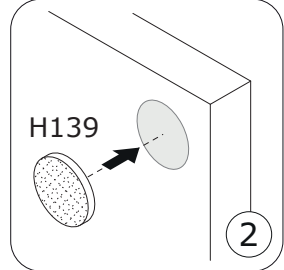
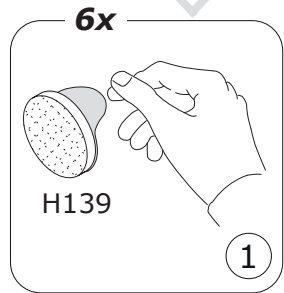
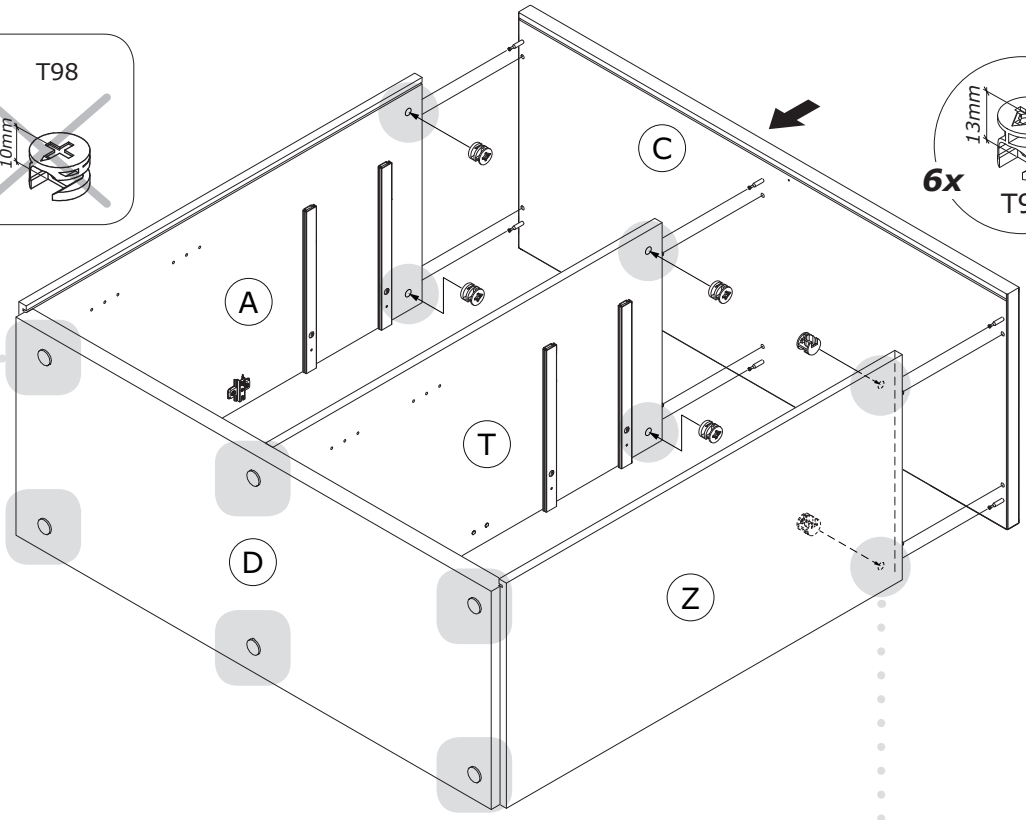
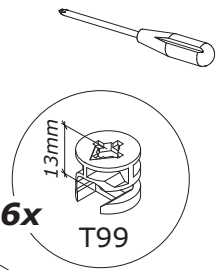
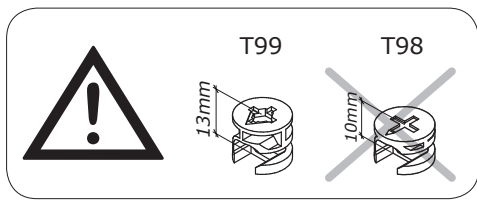
12



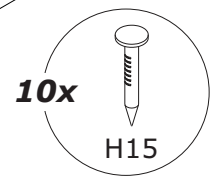
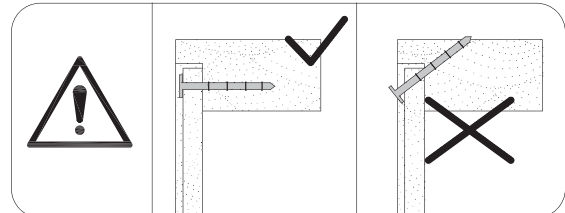
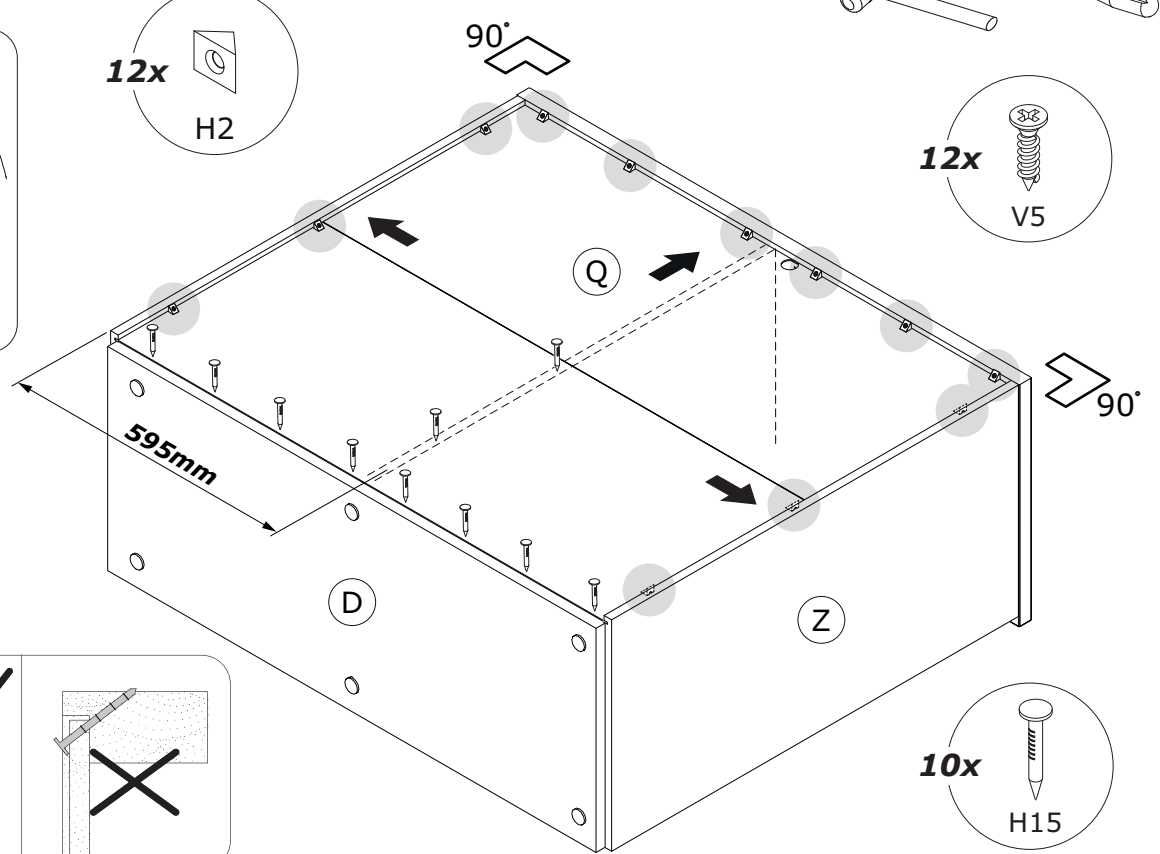
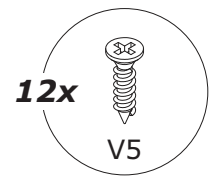
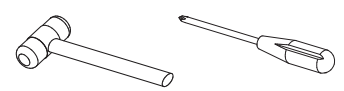
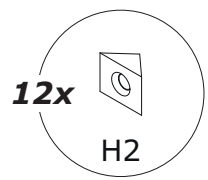
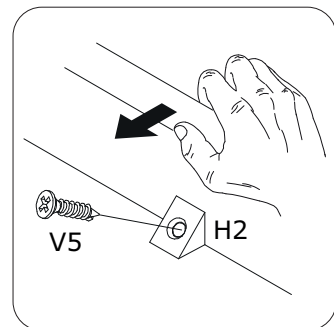
13

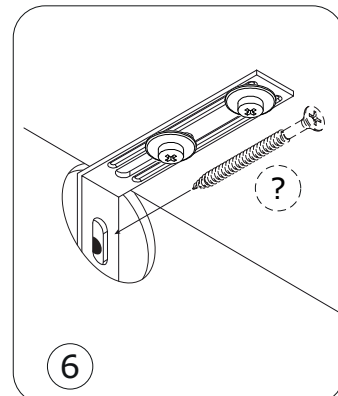
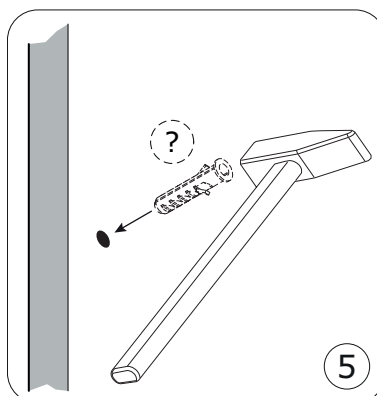
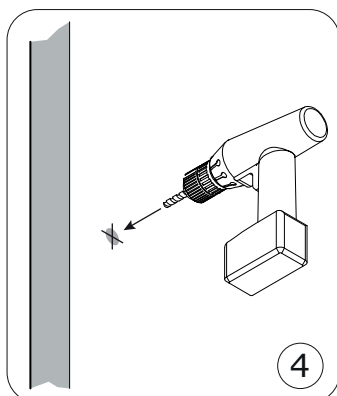
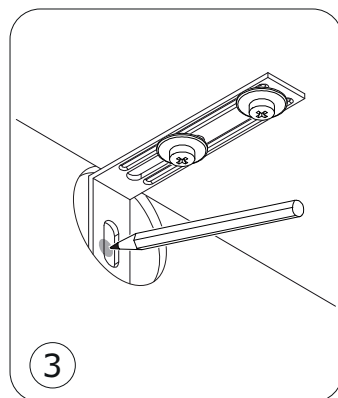
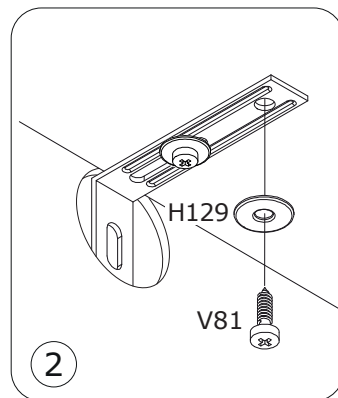
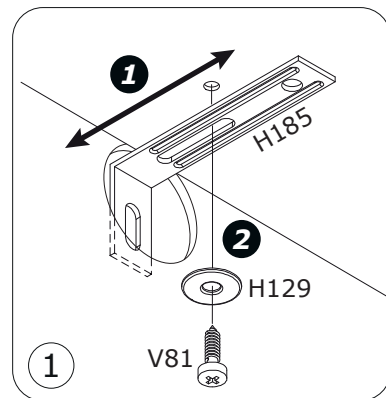
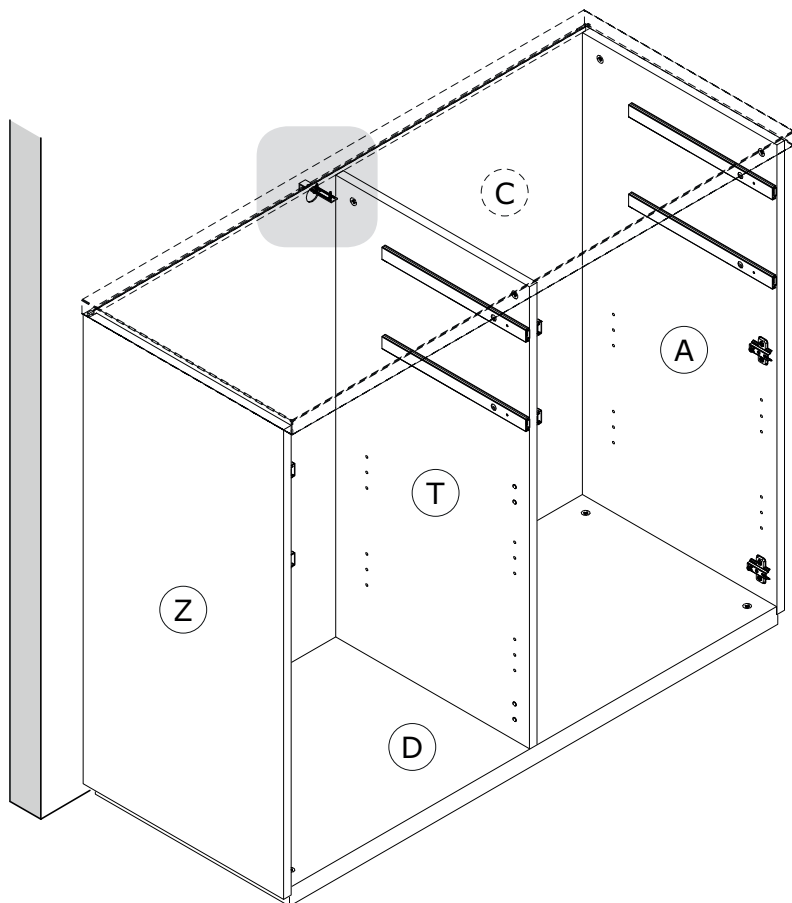
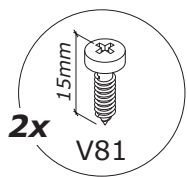
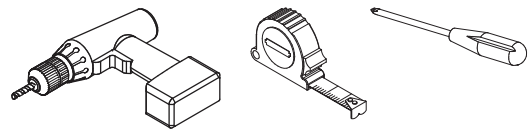


14

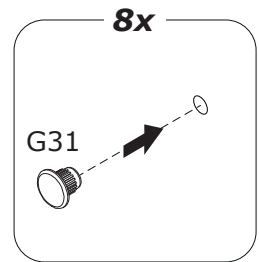
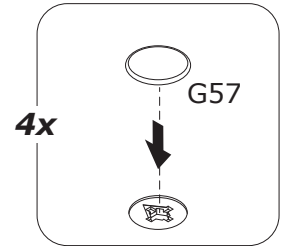
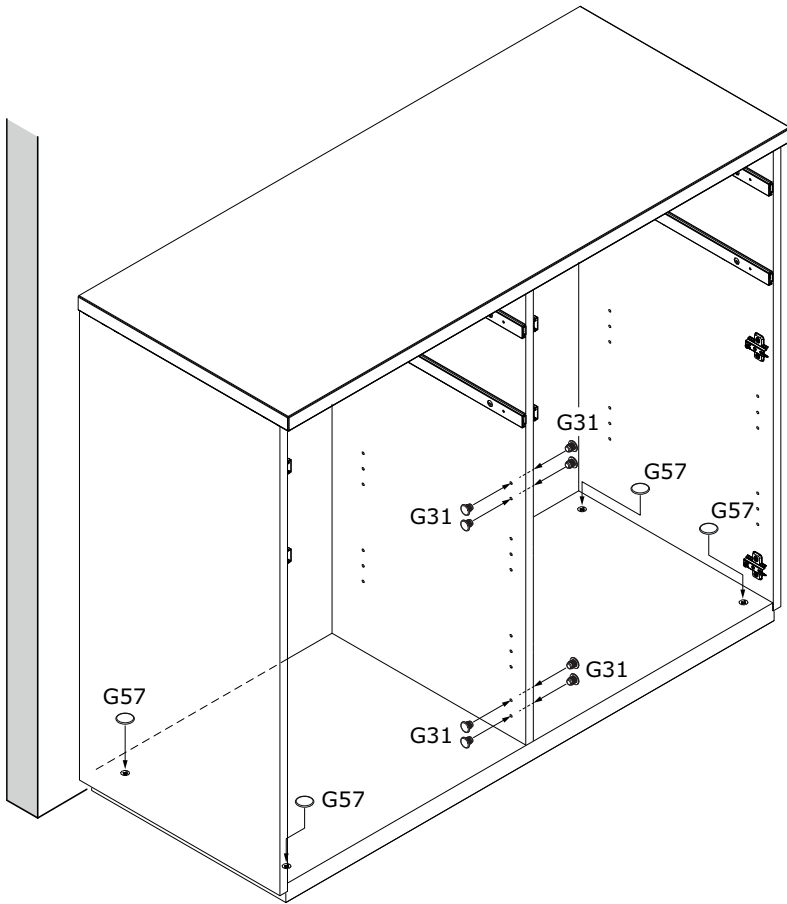
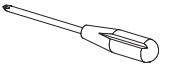


15

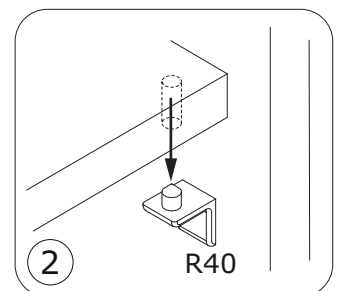
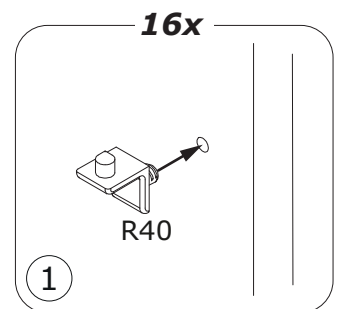
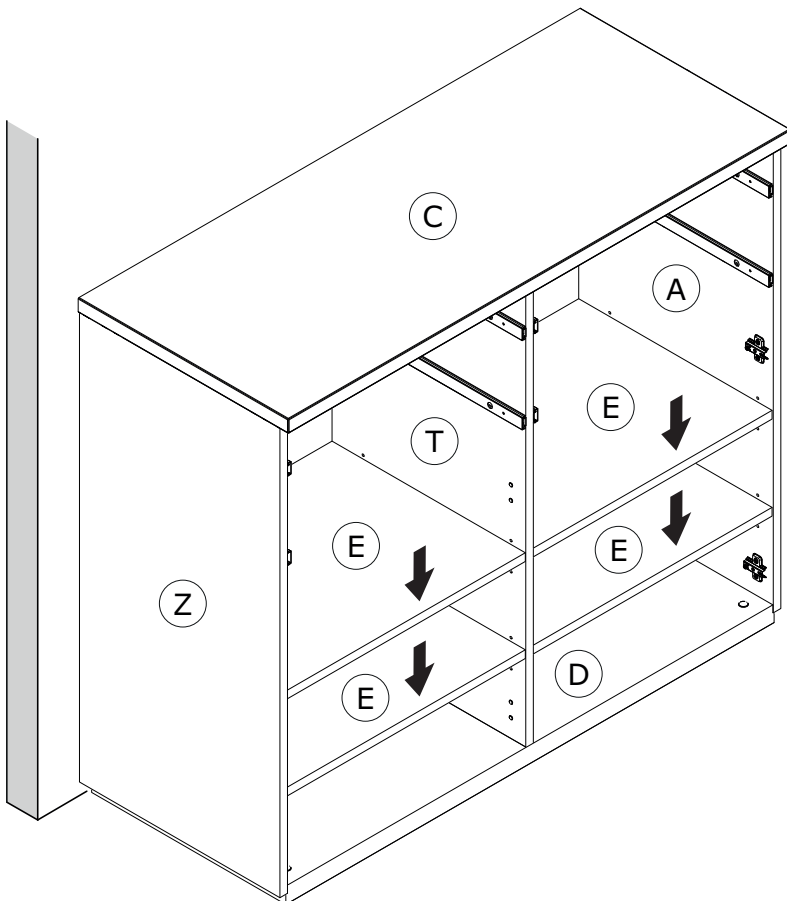
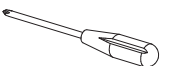




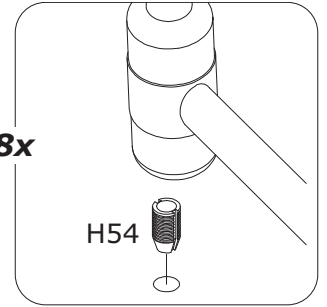
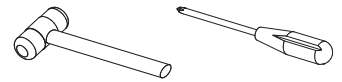
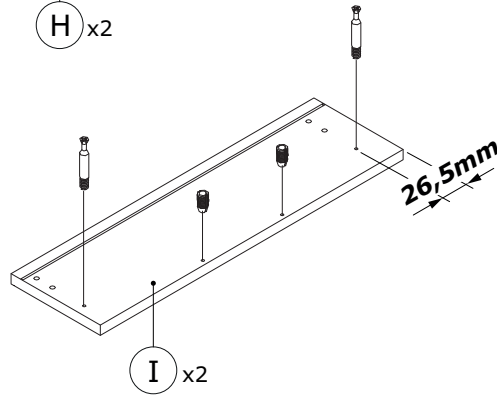
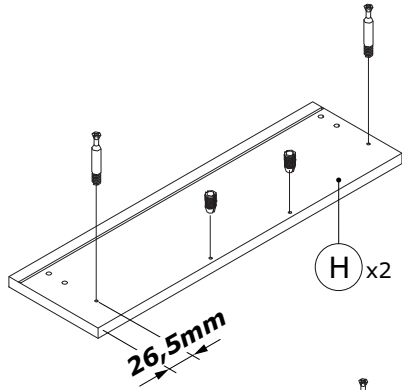
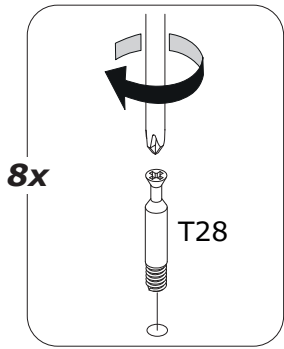
17



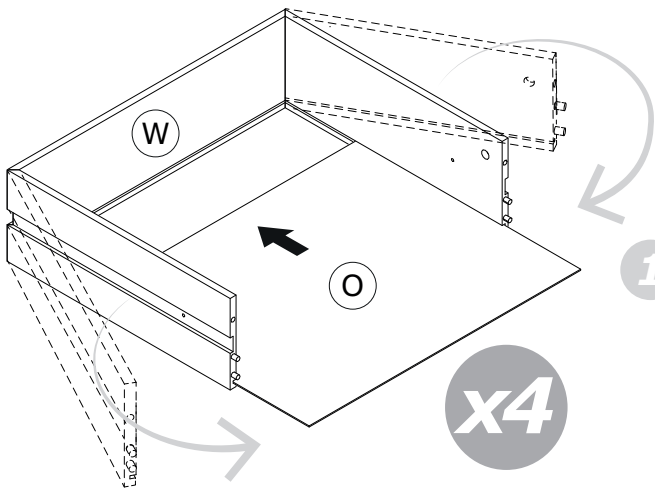
18



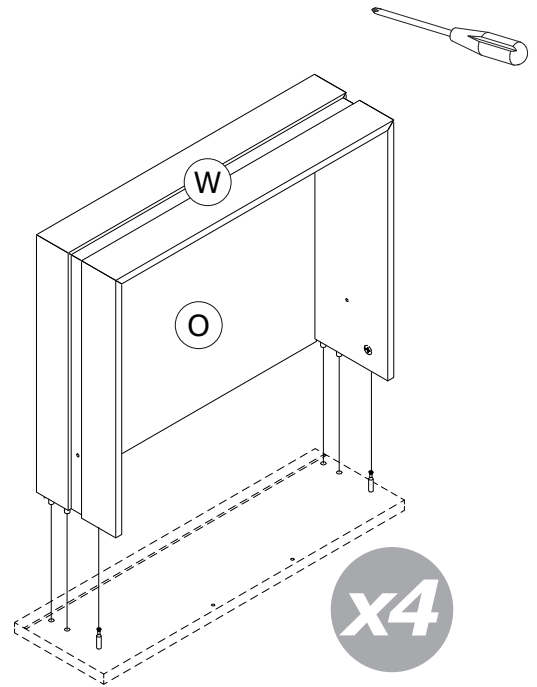
19



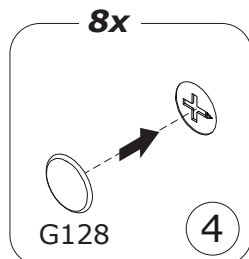
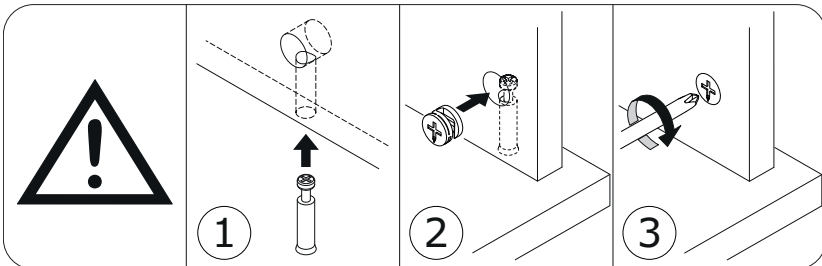
20



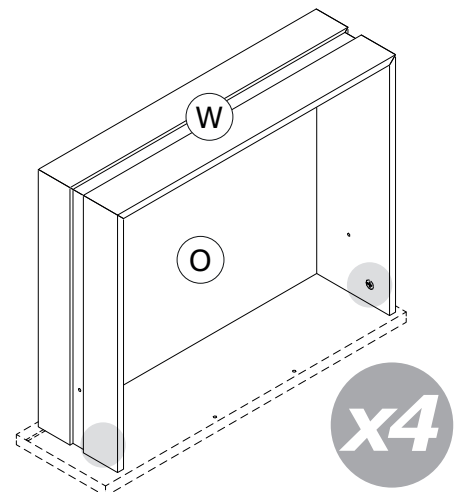
x4



x4

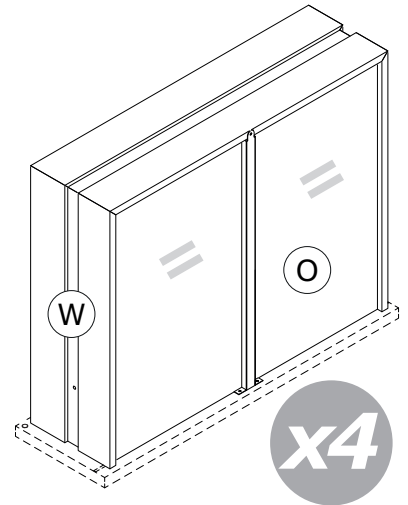
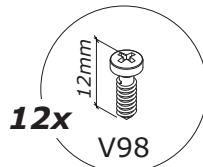
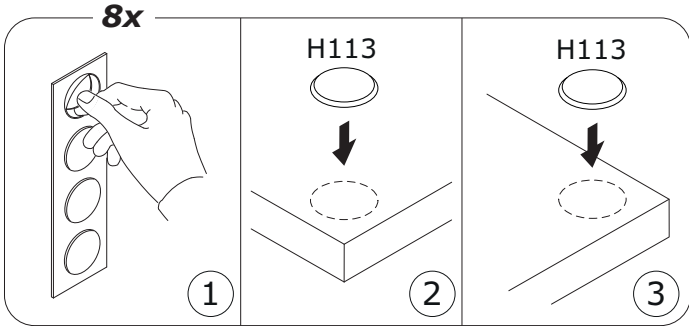
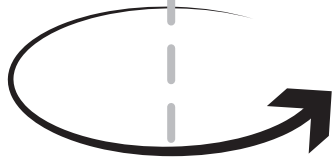
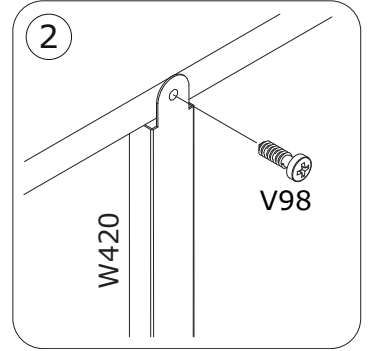
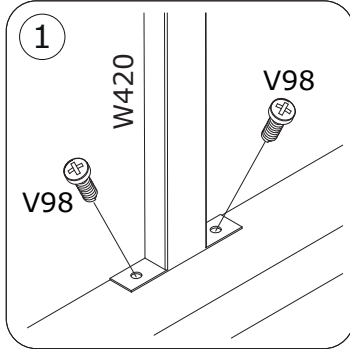
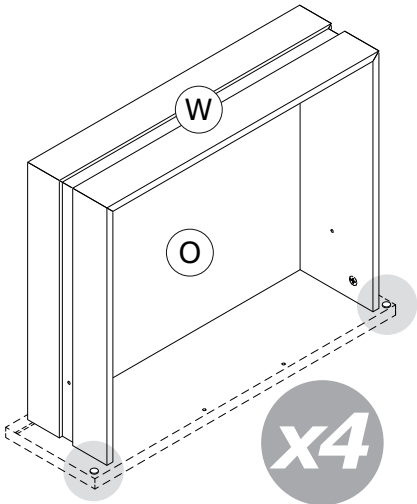
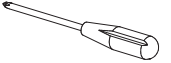


3

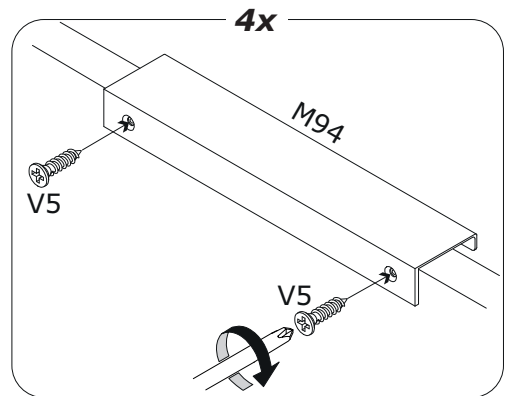
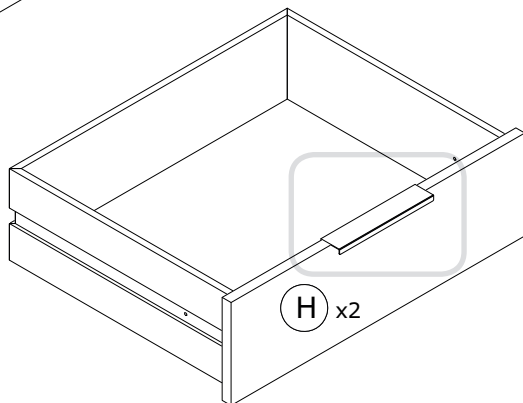
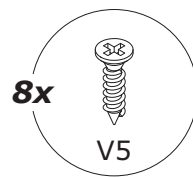
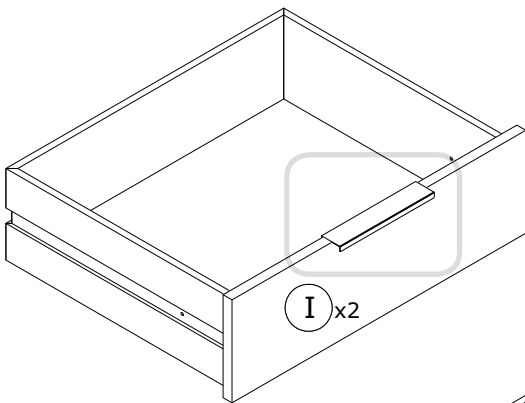
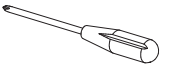


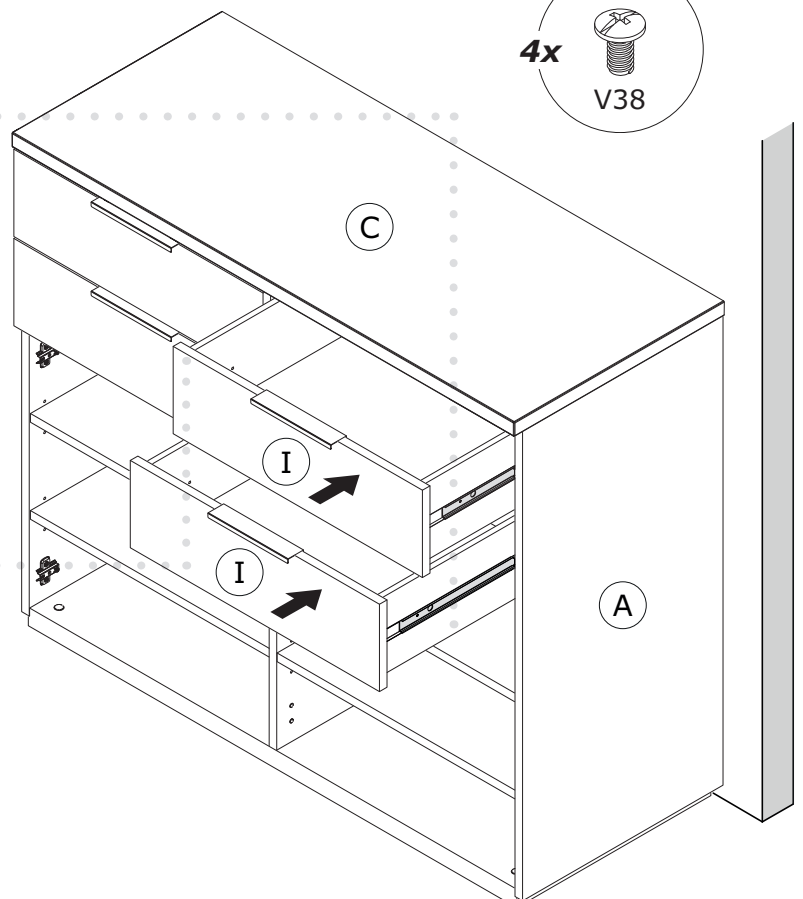
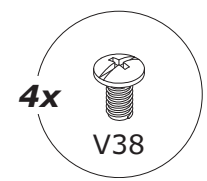
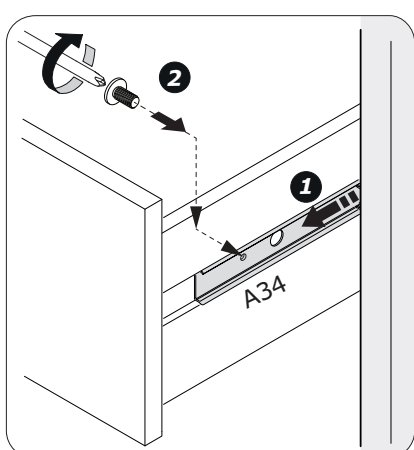
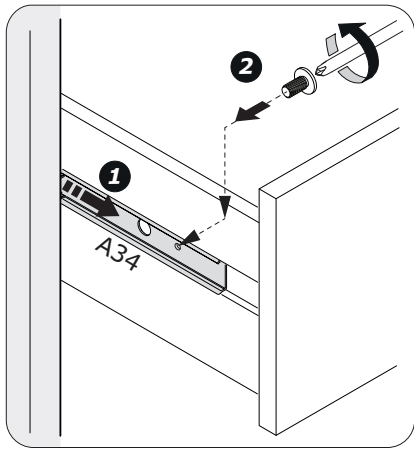
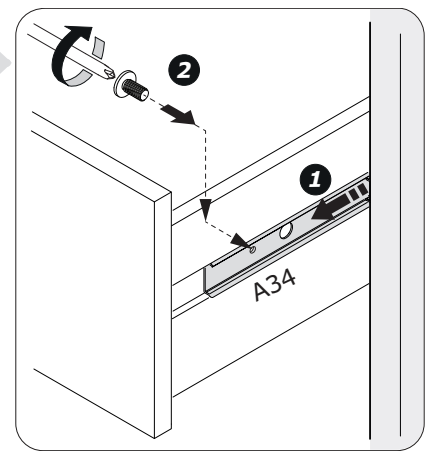
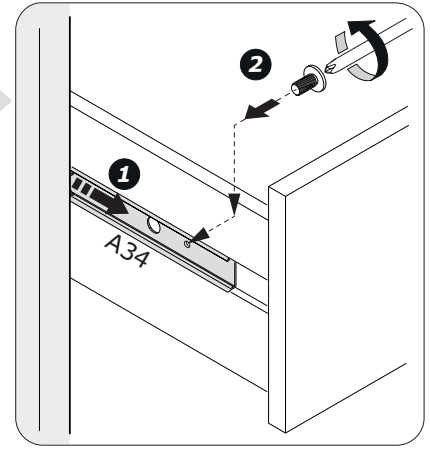
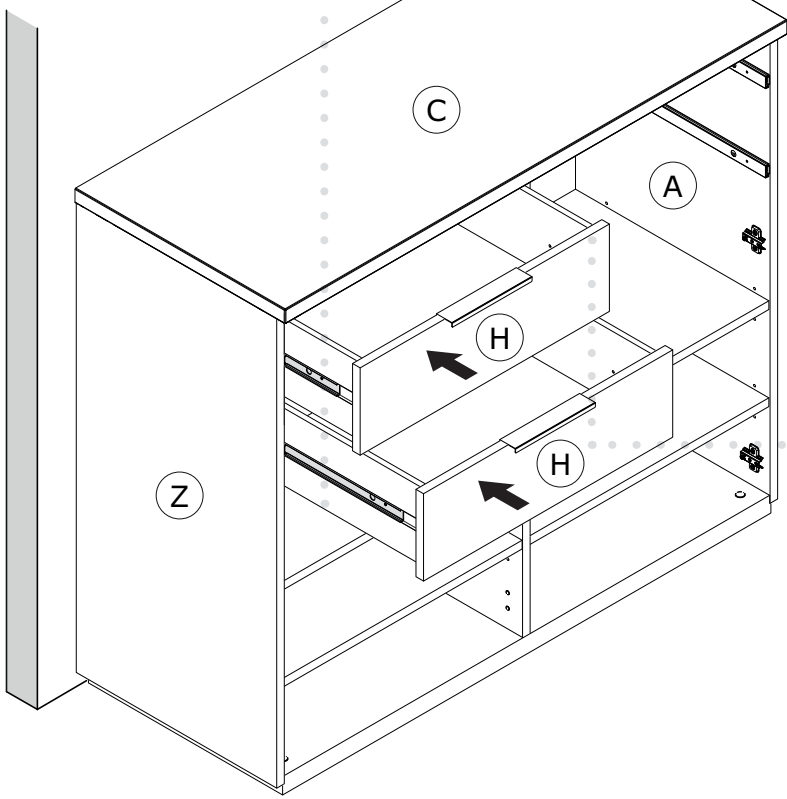
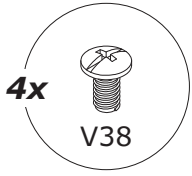
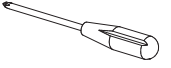
x4

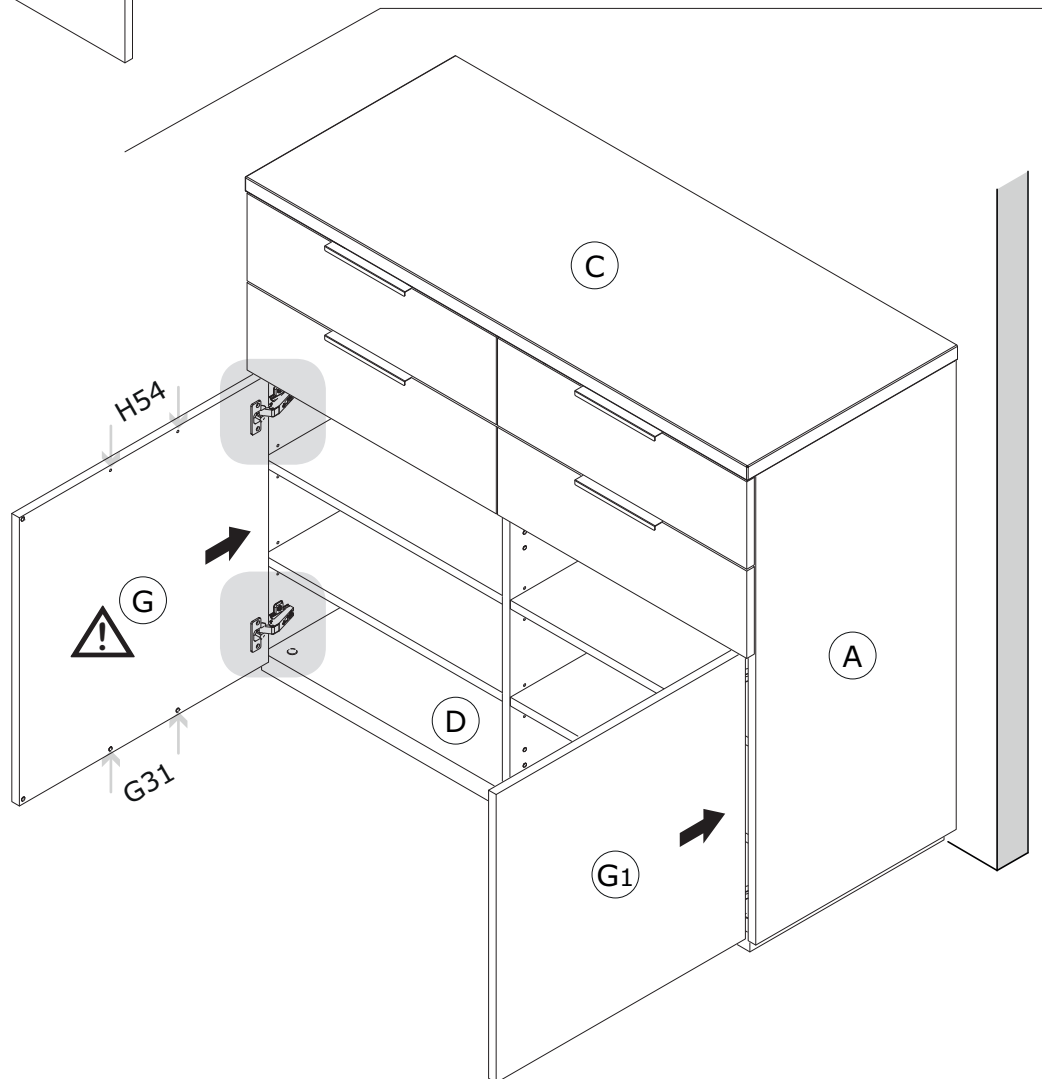
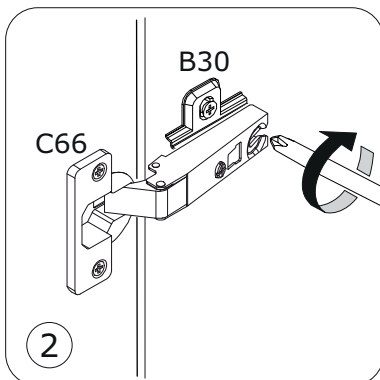
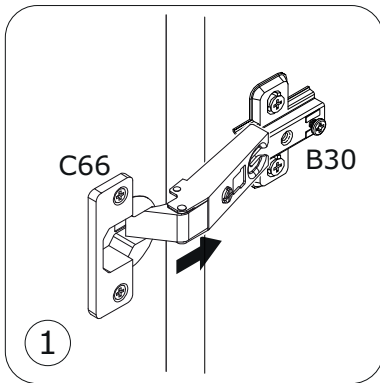
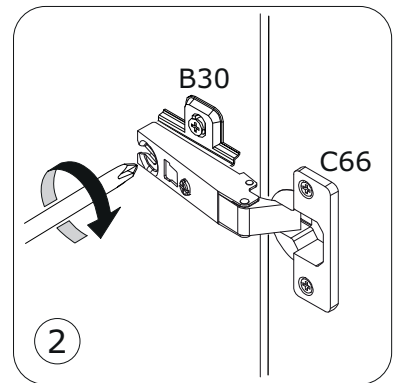
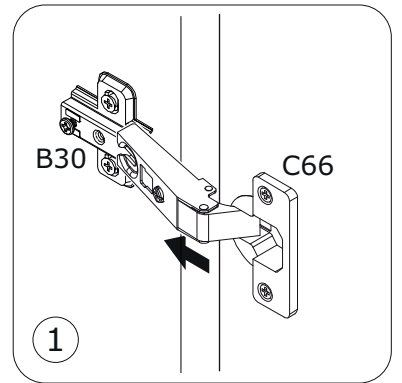
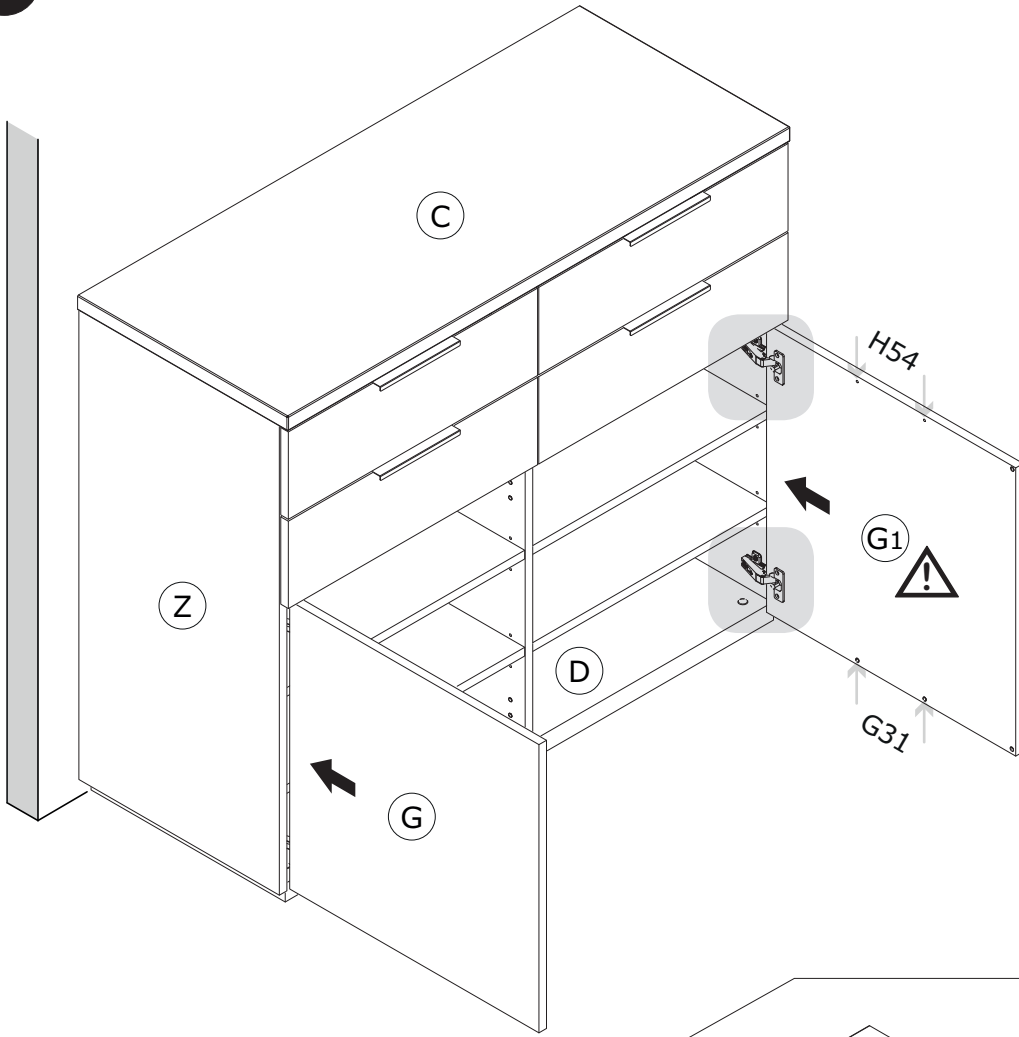
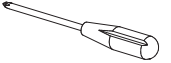
21



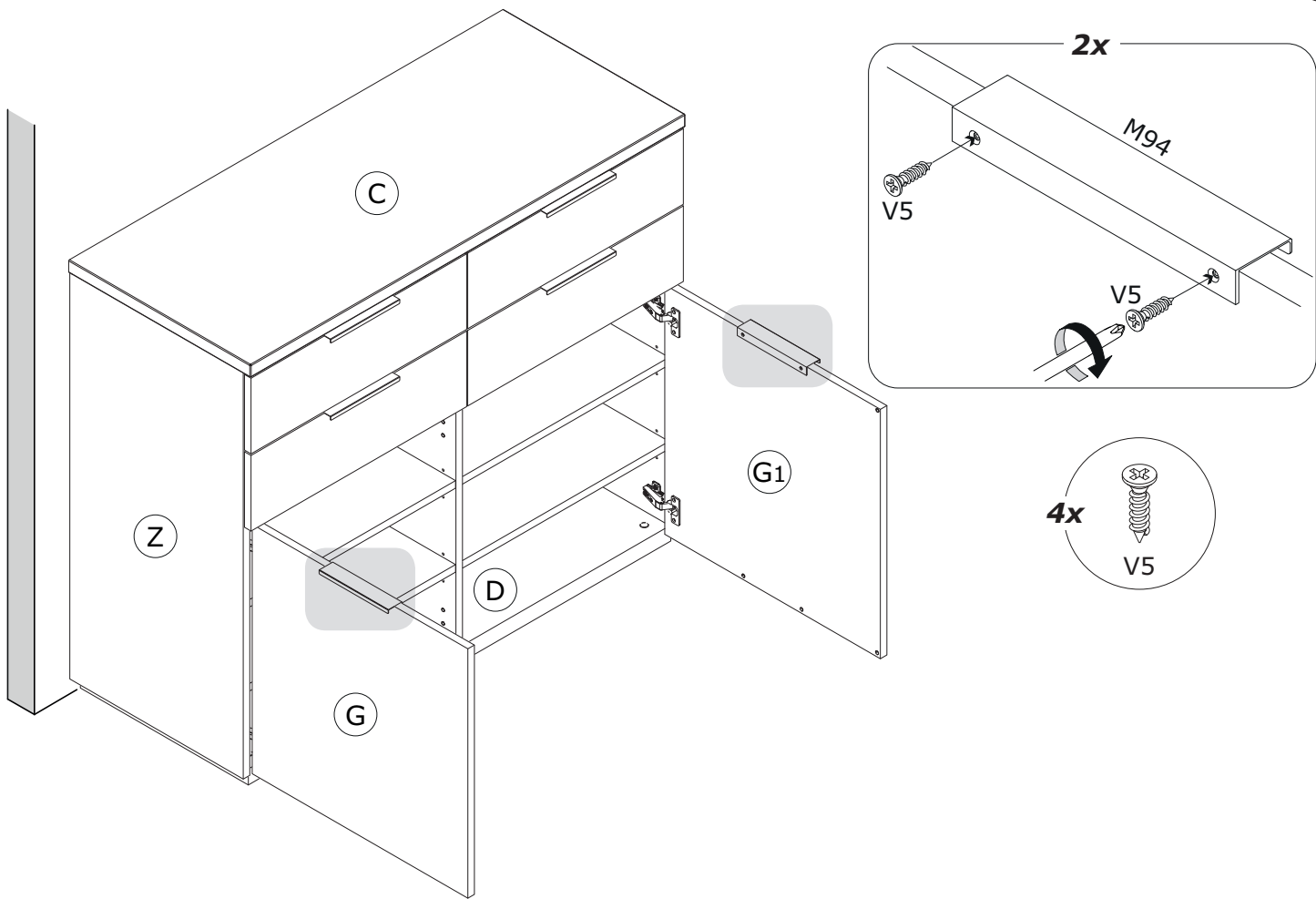
22







25



26

