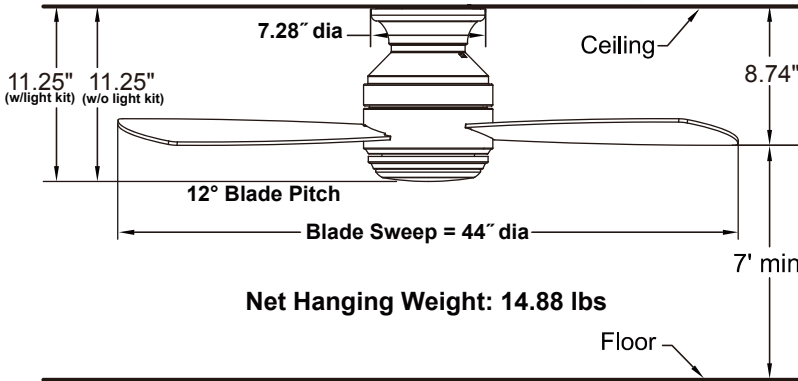
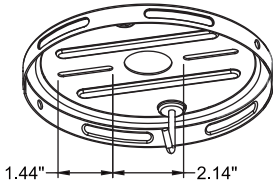




44" Ceiling Fan

Ceiling Bracket
Width of the screw slot



Available Finishes	
LAZ	Aged Bronze with Aged Bronze blades and Opal Frosted Glass/ Steel Cap
LBN	Brushed Nickel with Brushed Nickel blades and Opal Frosted Glass/ Steel Cap
LGR	Matte Greige with Matte Greige blades and Opal Frosted Glass/ Steel Cap
LMW	Matte White with Matte White blades and Opal Frosted Glass/ Steel Cap

INSTALLATION REQUIREMENTS:

Fan must be attached to a securely anchored electrical junction box capable of withstanding a load of at least 35 lbs.

ELECTRICAL REQUIREMENTS:

Requires a grounded electrical supply line of 120 volts AC, 60 Hz, 15 amp circuit.

MOTOR SPECS:

153 x 12 AC motor is designed for optimal performance with this fan.

CONTROL OPTIONS:

wall control is included. Push button wall control with variable fan speeds, infinite light levels and off button. Optional wall controls, held remote controls and WiFi receiver unit are available—sold separately. Instructions are provided with each control.

BLADES:

A set of three 19" plywood blades is included.

LIGHTING OPTIONS:

One 18-watt LED included.

LOCATION USE:

Fan is rated for dry location only.

Airflow / Energy Efficiency Info (120V)					
Fan Speed	Max RPM	CFM	CFM / Watts	Amps	Watts
High	208	3530	74	0.39	47
Med	154	2472	98	0.29	25
Low	109	1442	112	0.21	13

Energy Guide FTC			
Power (W _{ave})	Total Air Delivery (CFM _{ave})	Estimated Yearly Energy Cost (\$)	Ceiling Fan Efficiency (CFM/W)
31	2051	9	66

Light Bulb Information (120V)					
Bulb Type	Watts	QTY	Lumens Amount	Color Temp	CRI
LED	18	1	1500	3000	90%