



















# Assembly Instructions

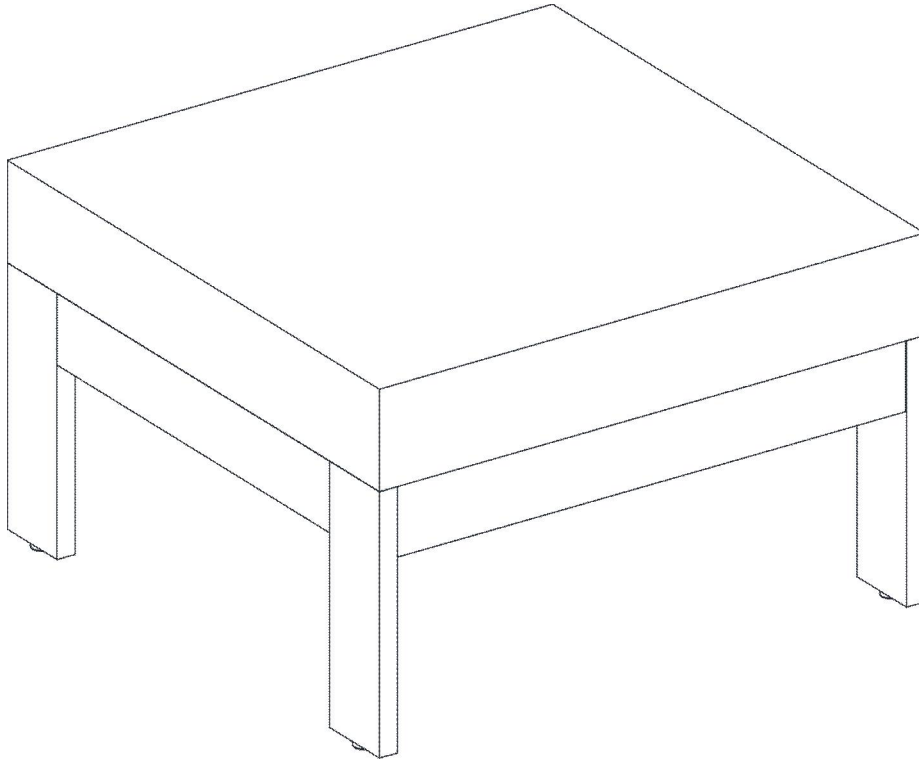
**Caution : You must read these Assembly Instructions before you proceed**

## Care & Maintenance

-   ● Not for commercial use. For residential use only.
  -   ● Do not put hot items directly on furniture surface.
  -   ● Do not clean furniture with harsh cleansers or polish.
  -   ● To obtain the longest lifespan of your outdoor products, minimizing exposure to direct sunlight is recommended.
  -   ● Children should not climb or jump on the furniture.
  -   ● Do not write on furniture without a padded barrier to protect the surface.
  -   ● To obtain the longest lifespan of your outdoor products, avoid extended and lengthy exposure to rain, snow, and direct sunshine. Whenever possible cover the product and /or place under patio or awnings.
  -   ● Stains may be removed with mild soap solution and damp cloth.
-   ● Dust and pick-up spills using a clean, non-colored, lint-free cloth.

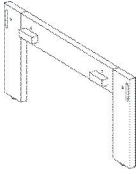


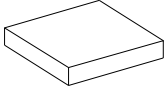
**Please look on the Seat Panel for hardware packs**

## **OTTOMAN**






**CAUTION:** This Footres is NOT a TOY.  
Keep your child / children at bay during the assembly process.  
For moving the Footres and to prevent damage to the Footres, two adults may be needed to execute this action.

# Parts List

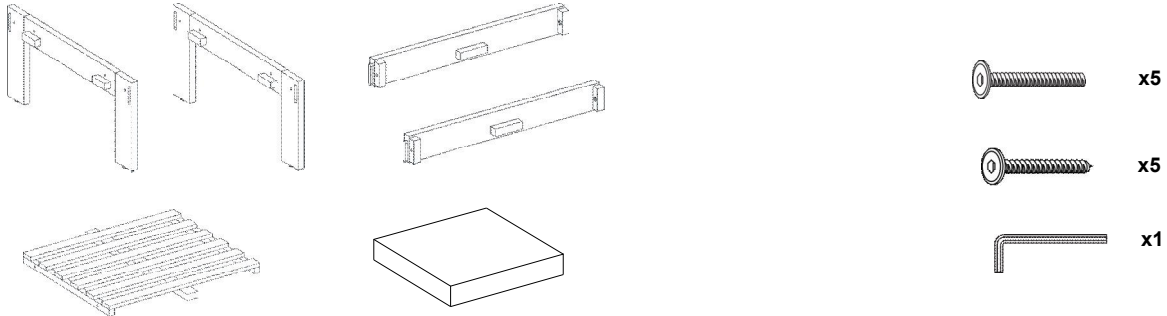
Label	Picture	Description	QTY
K		Leg Panel	2
L		Support Bar	2
M		Seat Panel	1
N		Seat Cushion	1

# Hardware

Label	Picture	Description	QTY
⑧		Bolt (M6 x 30mm)	5
⑨		Screws (M6x35mm)	5
⑩		Allen Wrench	1

# Assembly Preparation

## Before Beginning Assembly:



- Read instructions, cover to cover-



- Have 2 adults on hand for assembly-



- Do not assemble on flooring or carpet-



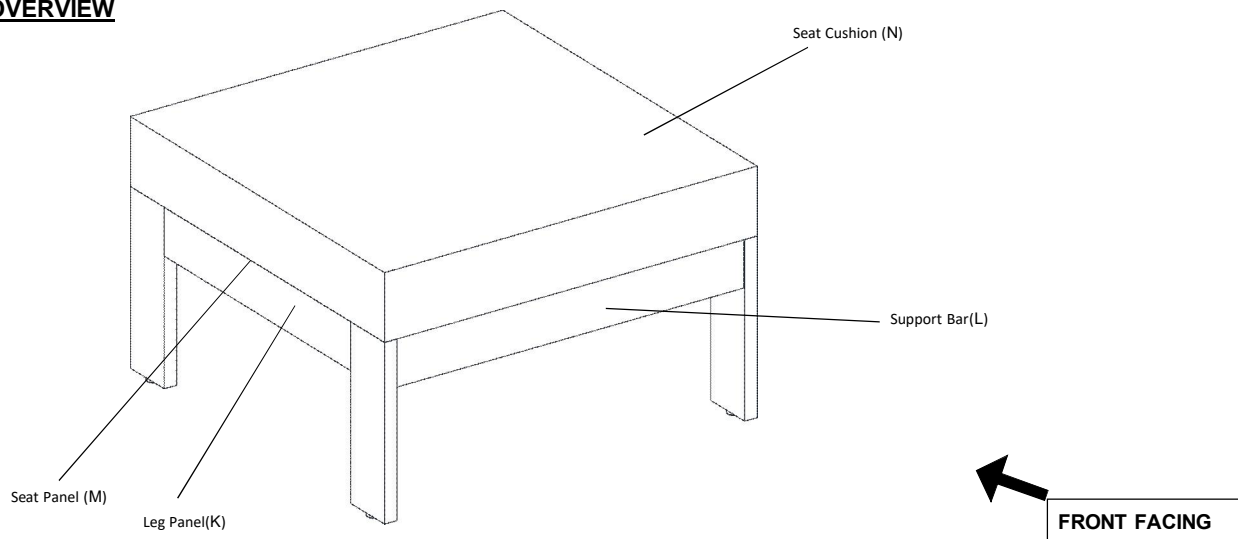
- Assemble on a clean non-marring surface (packing foam)-



- Save all packaging until finished-

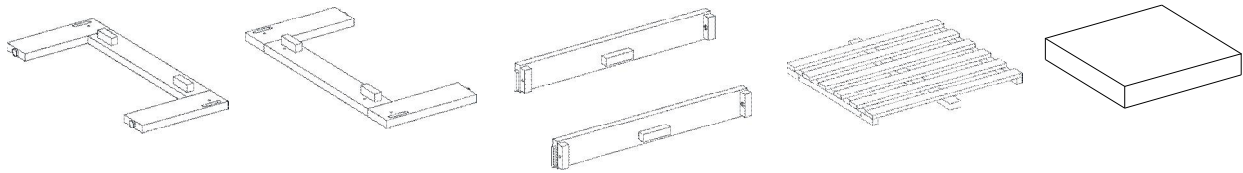
# Assembly Steps

## OVERVIEW



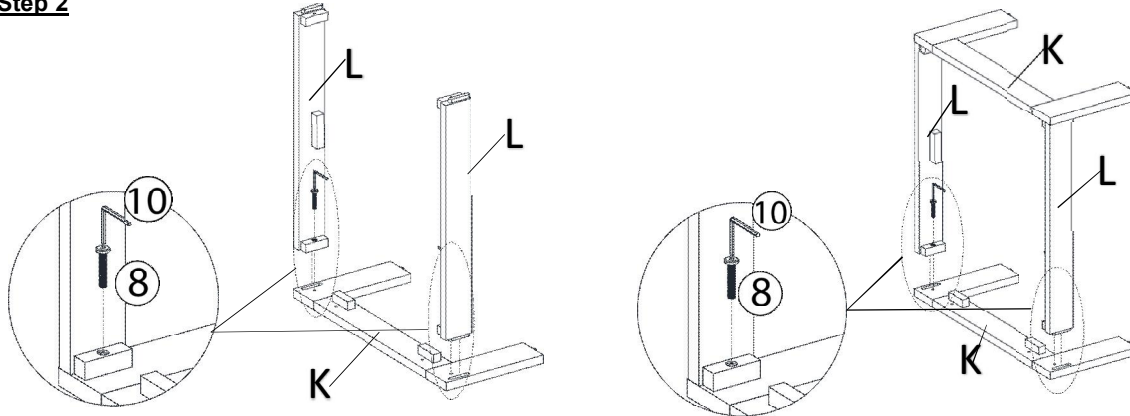
This Ottoman has multiple parts and may require up to some 30 minutes to assemble. To give you an overview of the Ottoman parts, the above picture is to help you put the various parts into perspective. Please read through the instructions below to familiarise yourself with the parts and steps before assembly.

**Step 1**



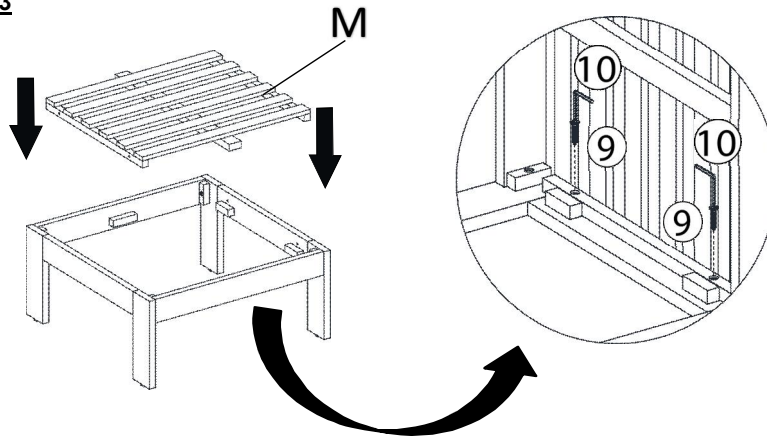
Unpack and place all parts on a clean, non-marring surface.

**Step 2**



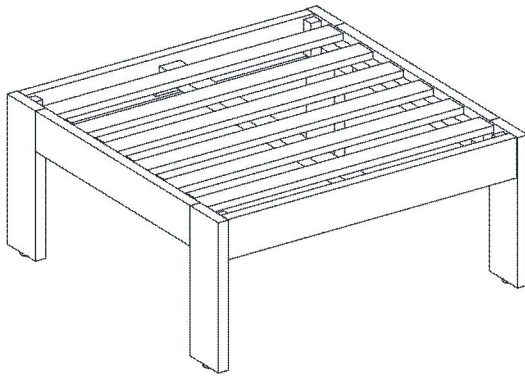
Place the Leg Panel(K) facedown as pictured above.  
Insert the tenons on Side Panels(L) into the mortises of the Leg Panel(K).  
Attach the Side Panels(L) to the Leg Panel(K) using Bolts(8) with Allen Wrench(10).  
Repeat the same process with the remaining the Leg Panel(K).  
**Do not fully tighten the Bolts**

**Step 3**



Insert the Seat Panel(M) into assembled Ottoman frame as pictured above.  
Attach the Seat Panel(M) to the Side Panels(L) using Screws(9) with Allen Wrench(10).  
Note: Insert Screws(9) from inside to outside of Seat Panel(M).  
**Do not fully tighten the Screws.**

**Step 4**



Place the Ottoman onto a flat, level surface.

Then EXERT pressure, floorwards onto the Ottoman with both hands.

This pressure will help the Ottoman reach full alignment at all joints.

In a sequential manner, gradually tighten all Bolts and Screws at all joints until evenly secured.

Inspect the Ottoman and make sure all parts are adequately connected.

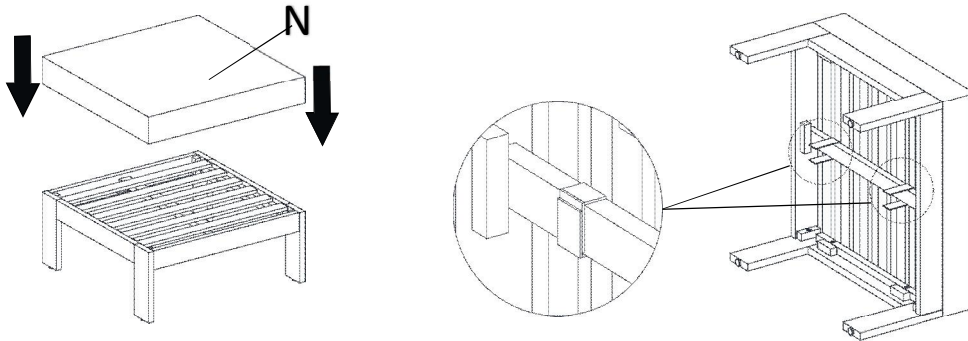
Place the Ottoman on a flat, level surface to make sure it is balance

**CAUTION : When tightening these screws and bolts, tighten sequentially.**

**DO NOT** tighten any screw or bolt fully and then move towards the next one. This could cause the frame to warp.

**WARNING!! IF THE OTTOMAN IS NOT STABLE , IT COULD LEAD TO DAMAGING THE PRODUCT.**

**Step 5**



Place the Seat Cushion (N) to the Seat Panel (M).

Then affix the "magic tape straps" around the Ottoman as shown above.

Inspect it and make sure all parts are adequately connected.

Ensure all screws, bolts are fully locked into position and secured.

The OTTOMAN is ready to be used.

**CAUTION:** This Ottoman can only be used on a flat, level surface.

## Questions & Answers about Proposition 65

- What is Proposition 65?

Proposition 65 requires businesses to provide warnings to Californians about significant exposures to chemicals that cause cancer, birth defects or other reproductive harm. These chemicals can be in the products that Californians purchase, in their homes or workplaces, or that are released into the environment. By requiring that this information be provided, Proposition 65 enables Californians to make informed decisions about their exposures to these chemicals.

Proposition 65 also prohibits California businesses from knowingly discharging significant amounts of listed chemicals into sources of drinking water.

Proposition 65 requires California to publish a list of chemicals known to cause cancer, birth defects or other reproductive harm. This list, which must be updated at least once a year, has grown to include approximately 900 chemicals since it was first published in 1987.

- What types of chemicals are on the Proposition 65 list?

The list contains a wide range of naturally occurring and synthetic chemicals that include additives or ingredients in pesticides, common household products, food, drugs, dyes, or solvents. Listed chemicals may also be used in manufacturing and construction, or they may be byproducts of chemical processes, such as motor vehicle exhaust.

- What does a warning mean?

If a warning is placed on a product label or posted or distributed at a workplace, a business, or in rental housing, the business issuing the warning is aware or believes that it is exposing individuals to one or more listed chemicals.

By law, a warning must be given for listed chemicals unless the exposure is low enough to pose no significant risk of cancer or is significantly below levels observed to cause birth defects or other reproductive harm.

- Where can I get more information on Proposition 65?

If you have specific questions on the administration or implementation of Proposition 65, you can contact OEHHHA's Proposition 65 program at [P65.Questions@oehha.ca.gov](mailto:P65.Questions@oehha.ca.gov), or by phone at (916) 445-6900.