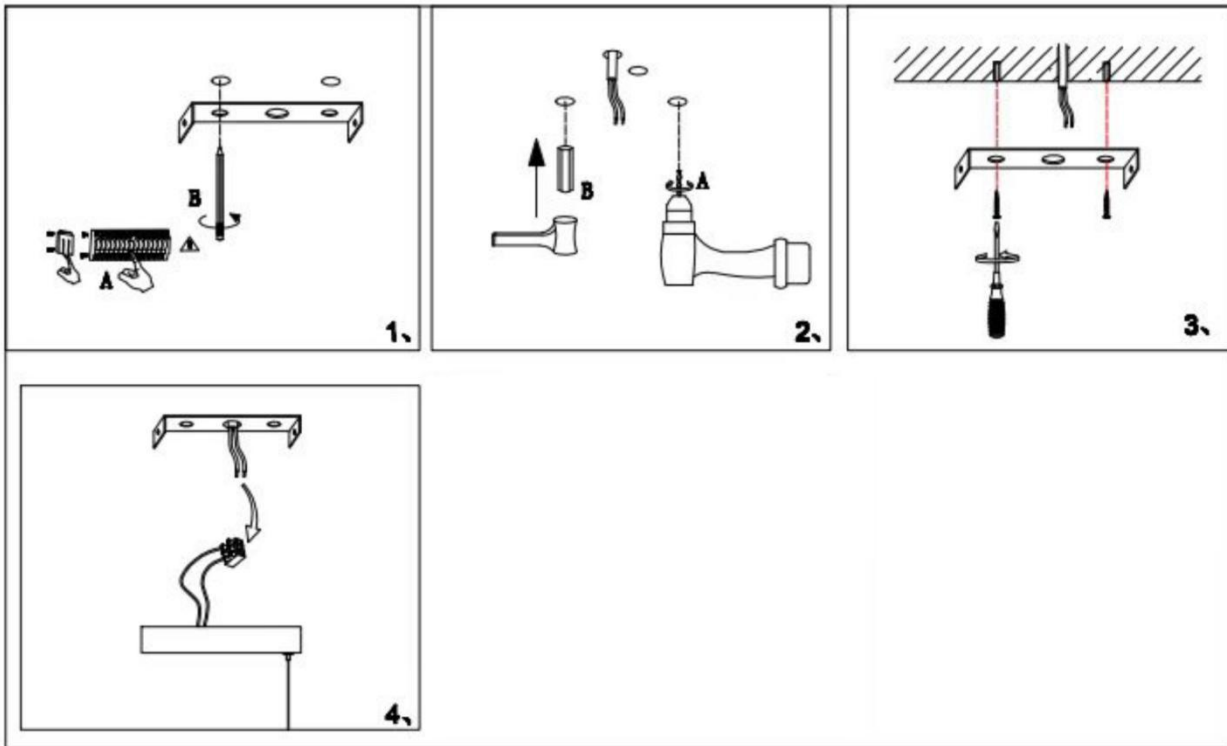


# Assembly Instructions for Model 2208995650



# Assembly and installation method



## STEP 1

Remove the mounting bracket and mark its position on the ceiling.

## STEP 2

Install the expansion tube at the marking on the mounting bracket.

## STEP 3

Install the ceiling canopy and fix it to the expansion tube with expansion screws.

## STEP 4

Connect the lamp wires to the ceiling wires. (No need to distinguish between the neutral wire and the live wire)

## STEP 5

Fix the ceiling canopy to the mounting bracket.

## STEP 6

Finally, remove the hanging ring (lamp holder ring), attach the lampshade, and then reattach the lamp holder ring.

Your fixture is now assembled and ready to use.