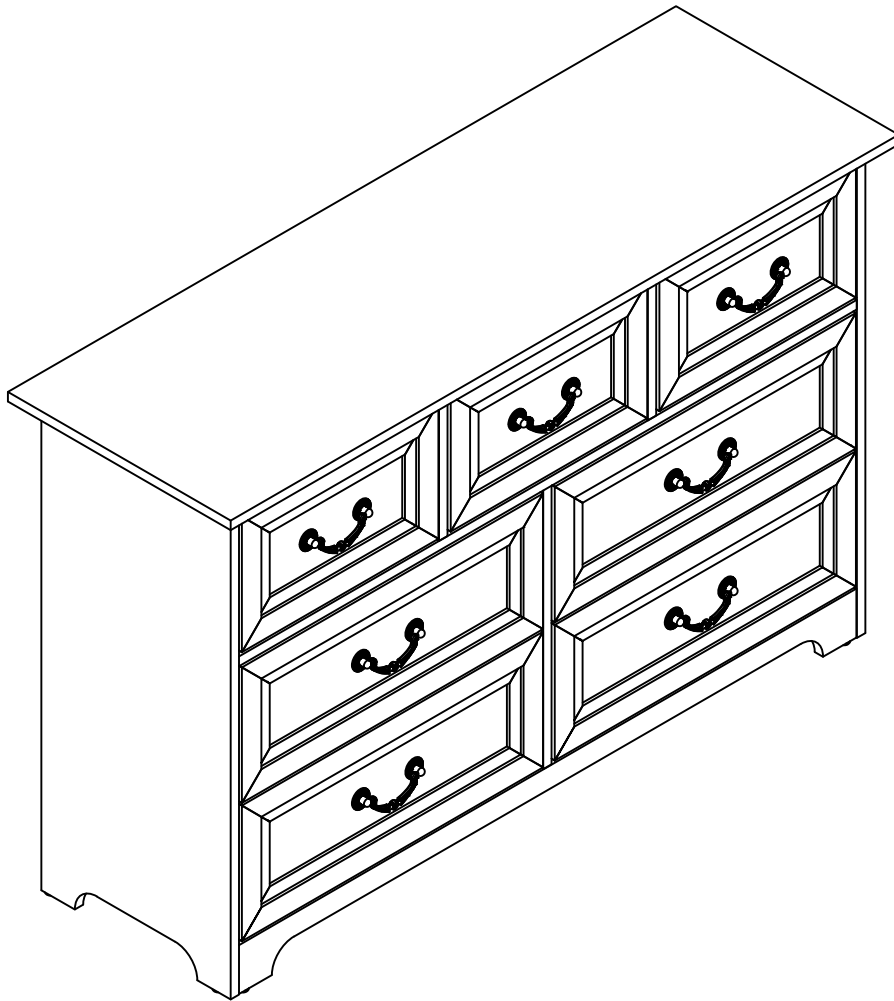


Installation Instruction



Assembling

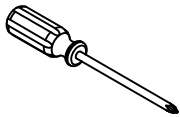
Estimated time for assembly



45 : 00

What you need

- Use the packaging carton as a working surface to prevent product damage during assembly
- Phillips head screwdriver



Weight Limitation



100

lbs table top

35

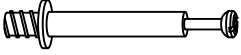
lbs per

What' included

Code Description	Qty
A Cam Bolt M6X35MM	57
B Cam Lock 15X10MM	57
C Wooden Dowel M8X30MM	20
D Screw M4X40MM	40
E Cam Bolt M4X10MM	14
F Metal shake handhandle	7
G Nylon Strap	2
H Screw M3.0X14MM	78
I Adjustable plastic foot pads	1
J The back button	20
K Anchor	2
L MATS	6
CL Left mother extended orbit	7
CR Right mother extended orbit	7
DL Left public extension track	7
DR Right public extends track	7

The Hardwares

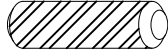
A



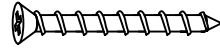
B



C



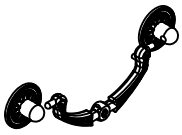
D



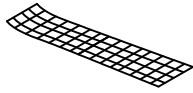
E



F



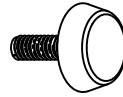
G



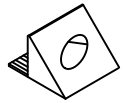
H



I



J



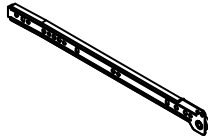
K



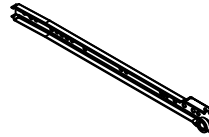
L



CL



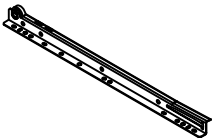
CR



DL



DR



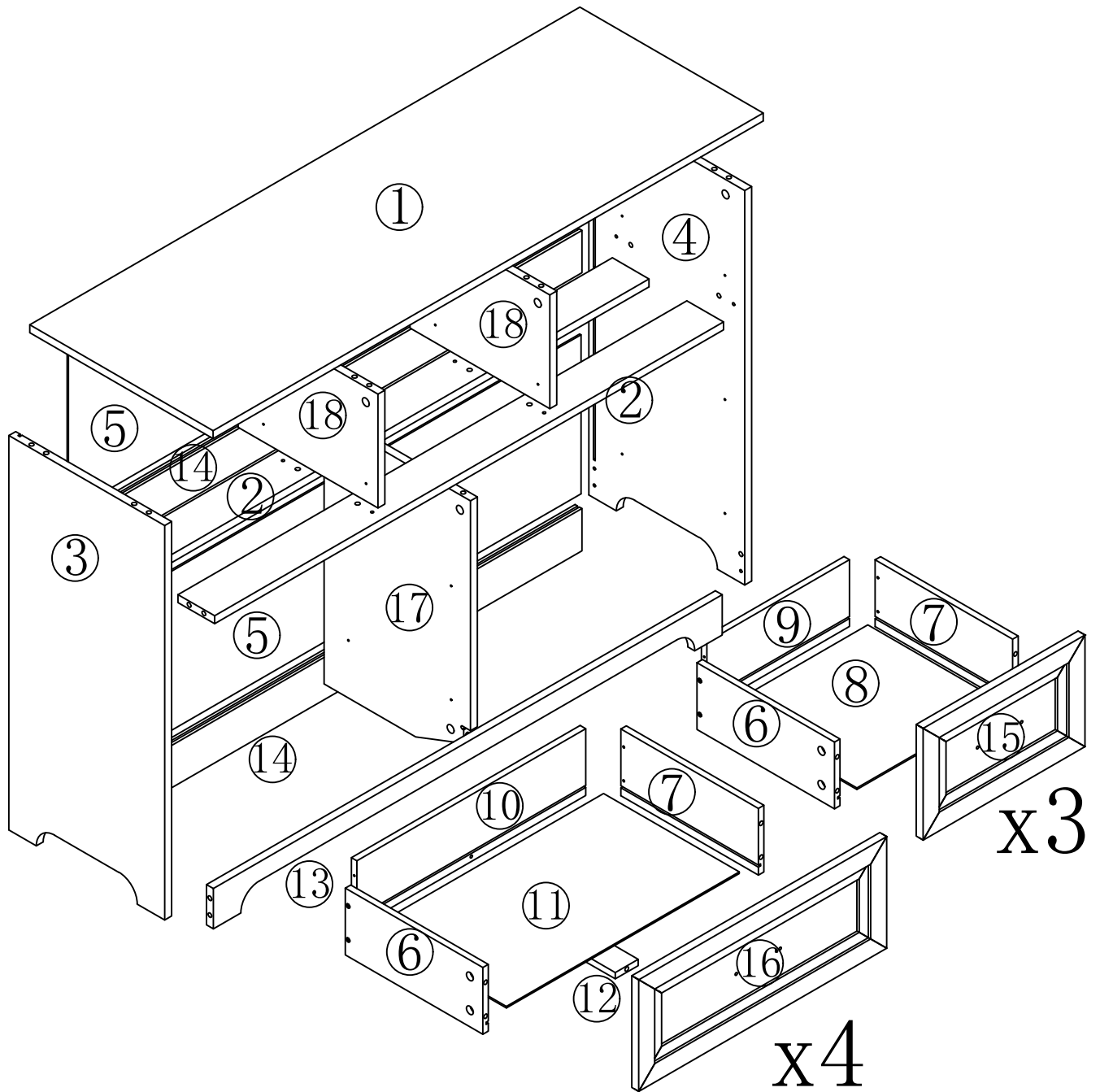
IMPORTANT:

1. Do not tighten bolts / screws completely until all bolts / screws are lined up and inserted into holes.
2. Do not over tighten screws and bolts to avoid stripping
3. Please use hand tools to assemble this product. Do not use power tools.

Included Accessories

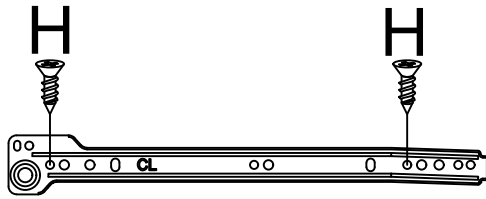
Code	Description	Qty
1	Cabinet Top	1
2	Bottom Panel	2
3	Left Side Panel	1
4	Right Side Panel	1
5	On the rear panell	2
6	Drawer left panel	7
7	Drawer right side panel	7
8	The drawer bottom	3
9	After the drawer board	3
10	After the drawer board	4
11	The drawer bottom	4
12	At the bottom of the drawer	4
13	Front Support Bar	1
14	After the gusset plates	2
15	Top drawer panel	3
16	Bottom drawer panel	4
17	Lower neutral plate	1
18	Superior septum	2

The Accessoriess



Step 1

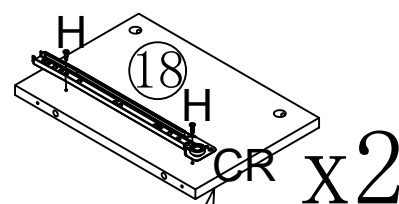
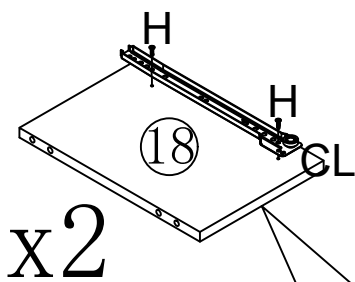
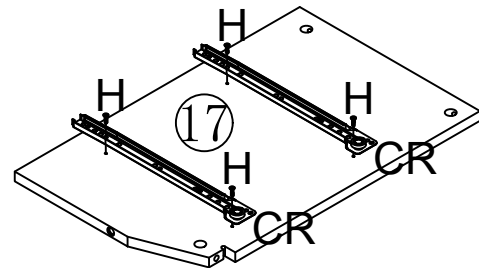
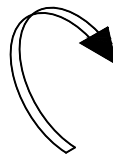
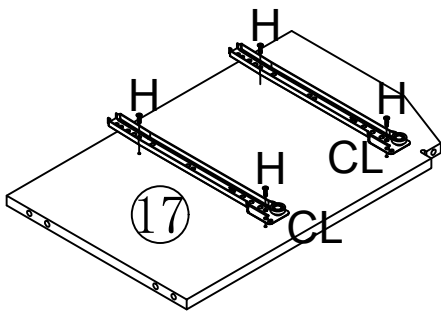
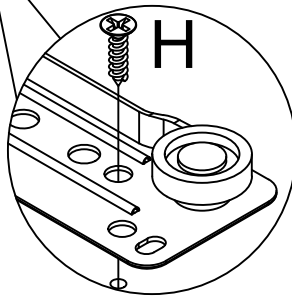
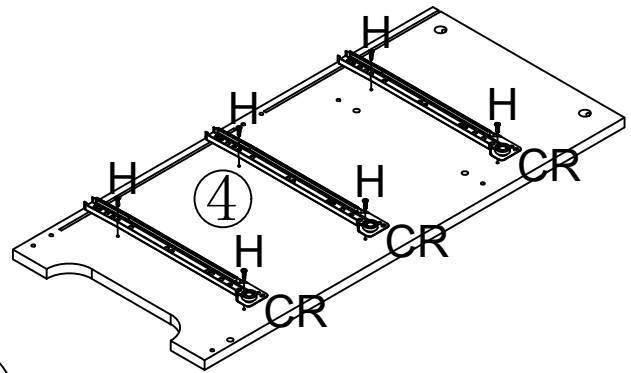
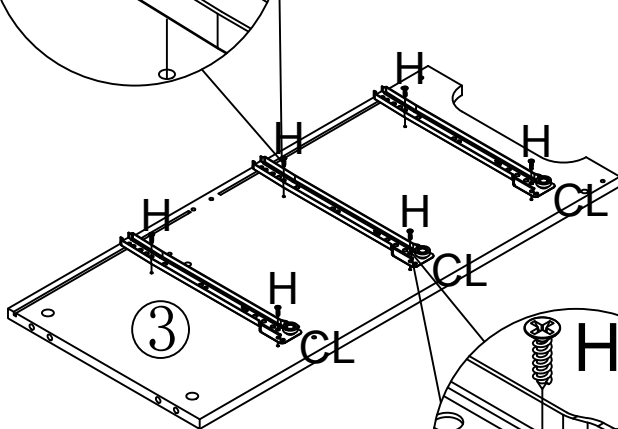
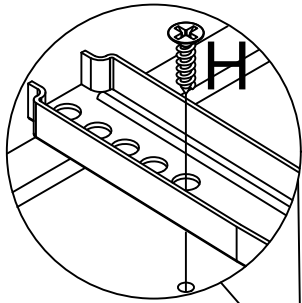
CL	×7	CR	×7	H	×28



CL




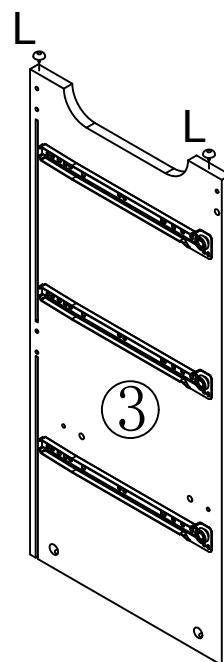
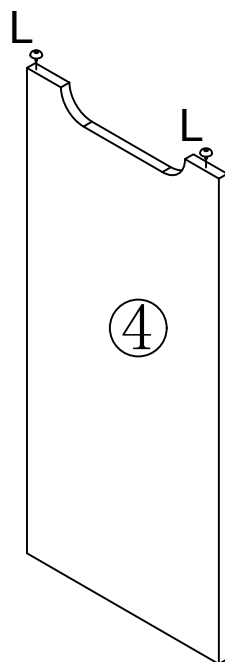
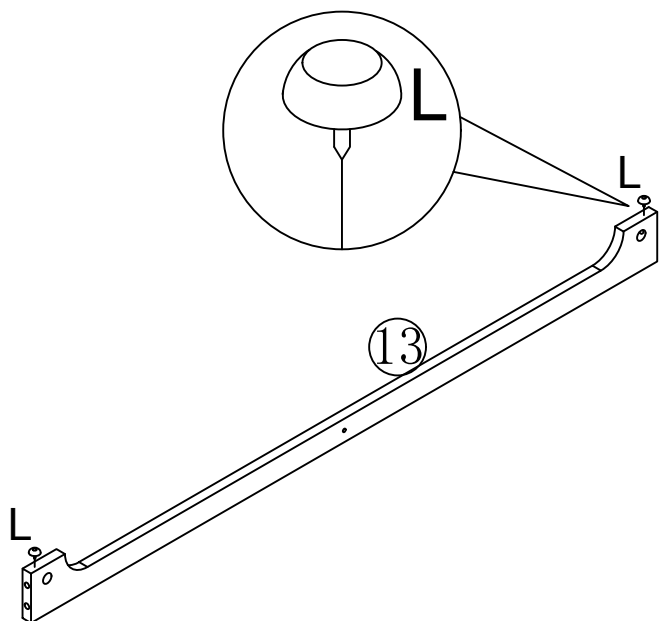
CR



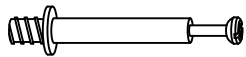
This side has PVC sealing edge

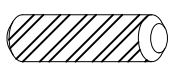
Step 2

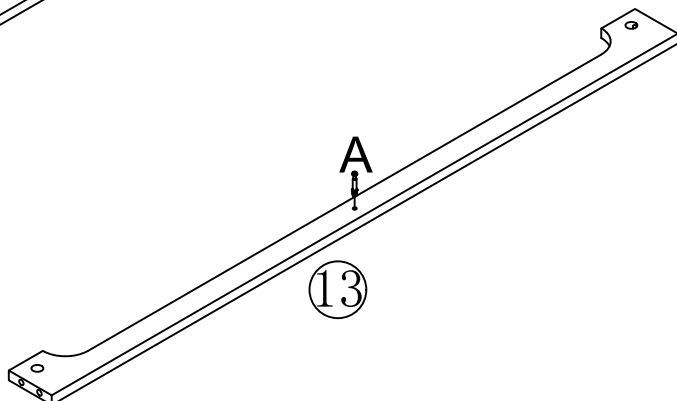
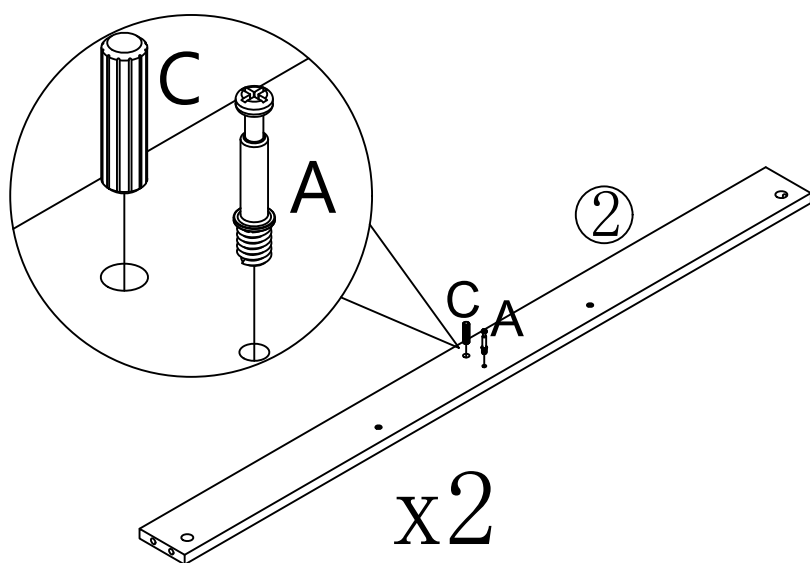
L	×6
	



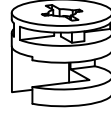
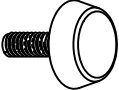
Step 3

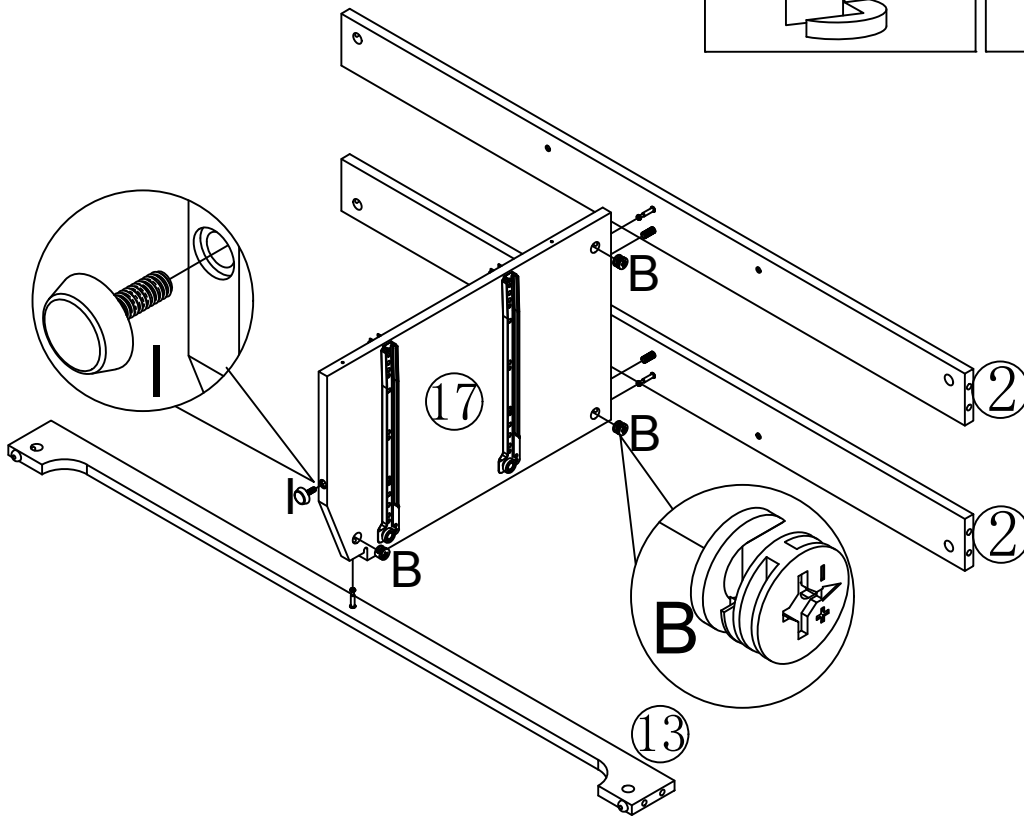
A	×3
	

C	×2
	

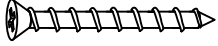


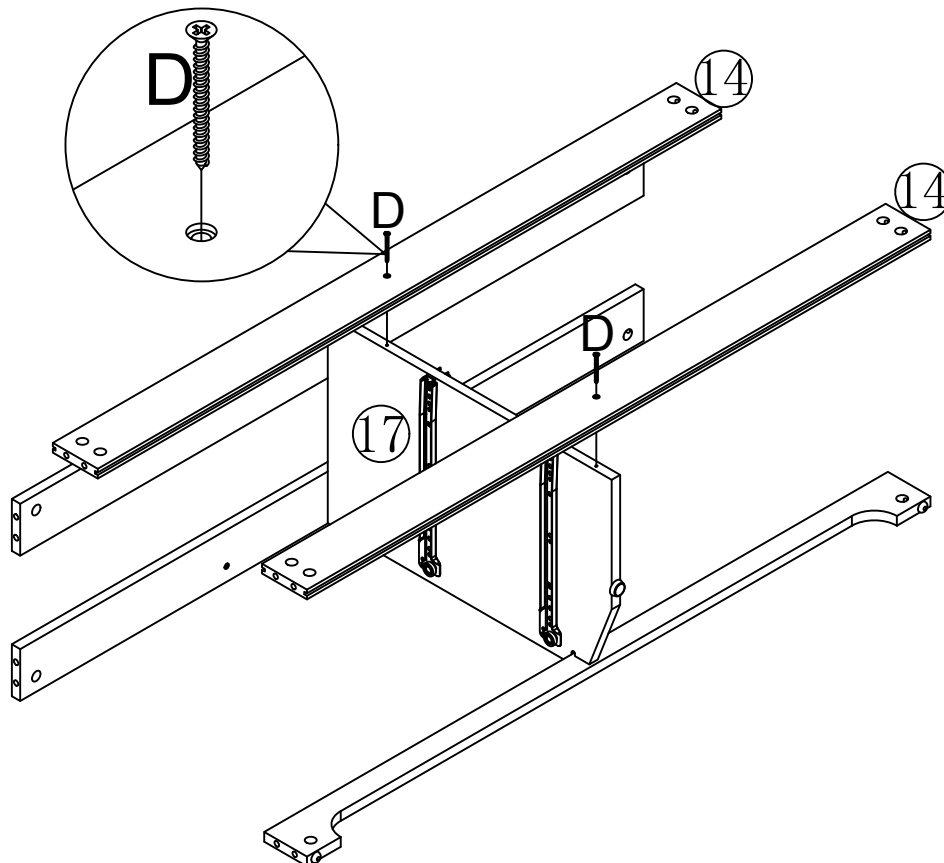
Step 4

B	×3	I	×1
			

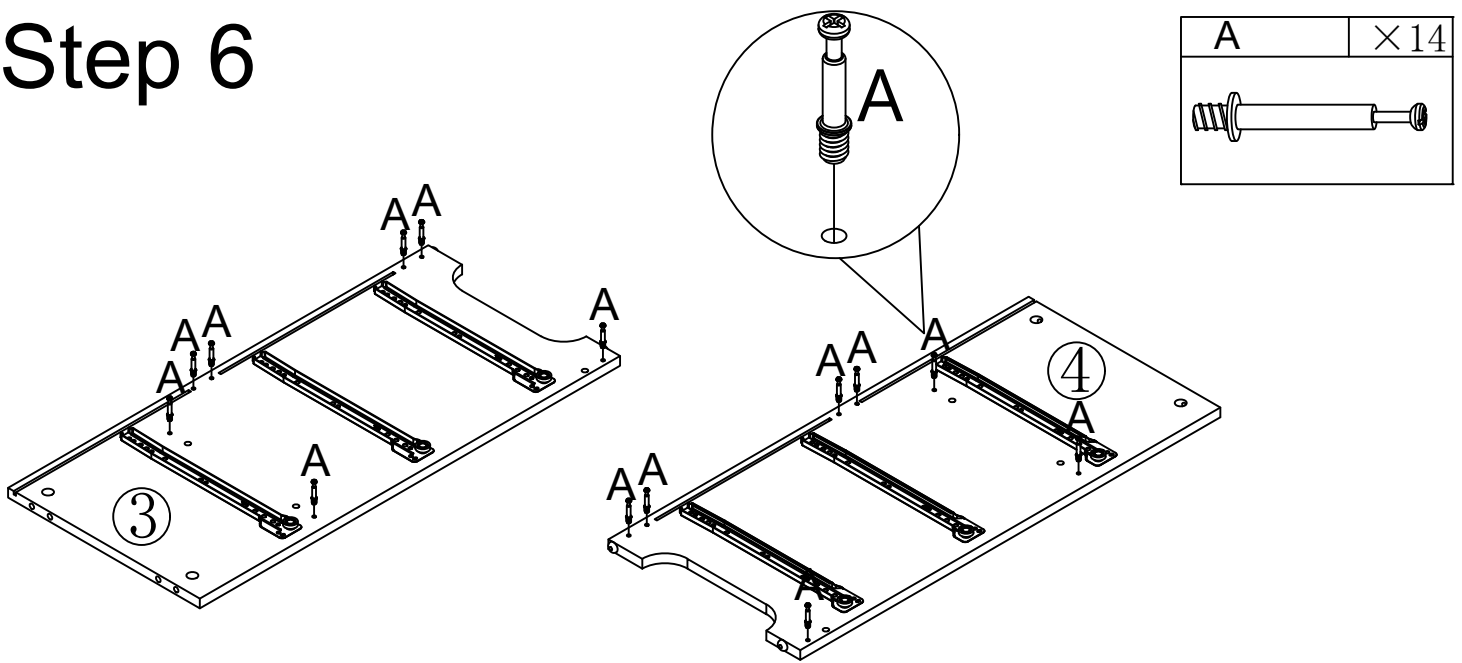


Step 5

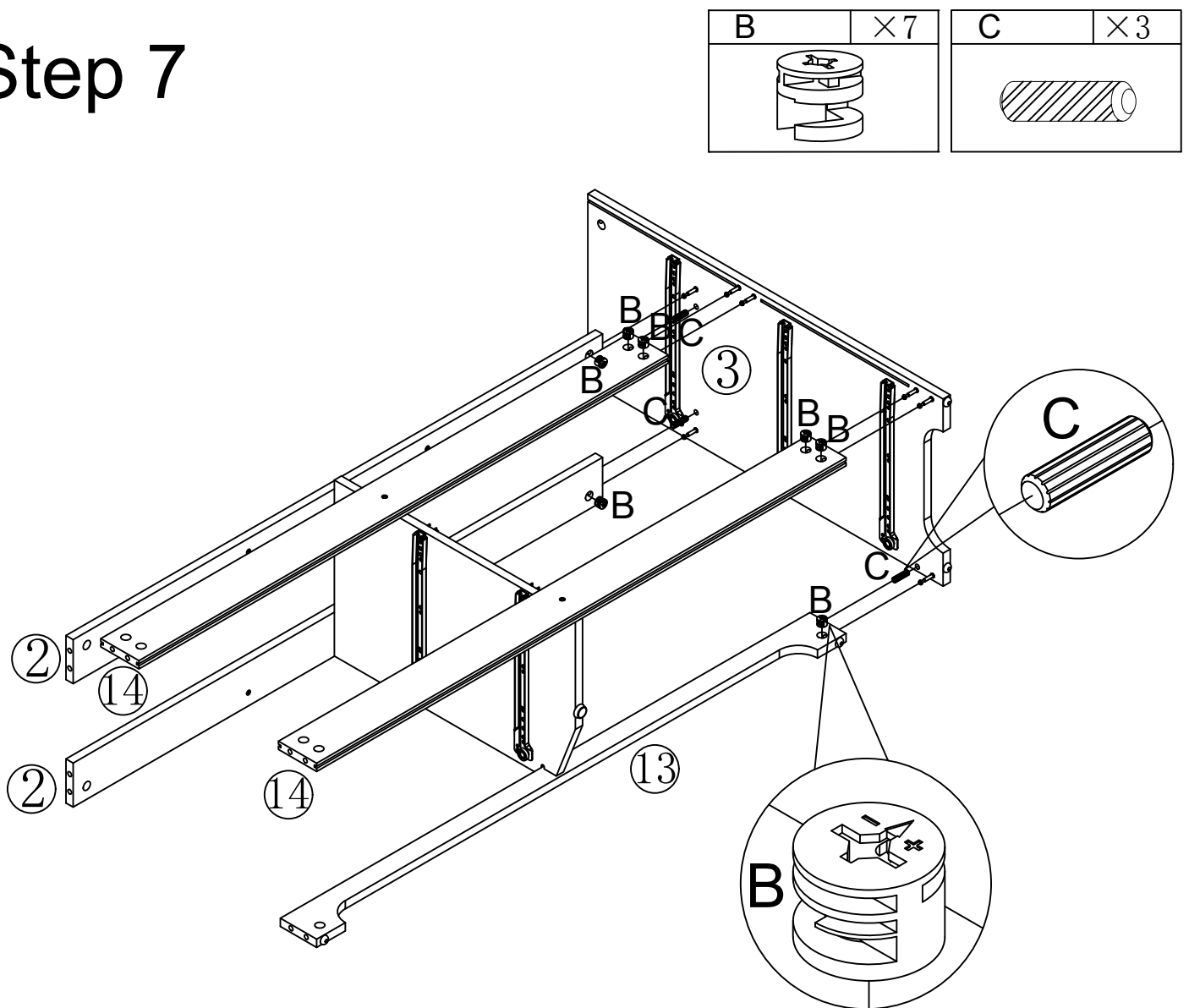
D	×2
	



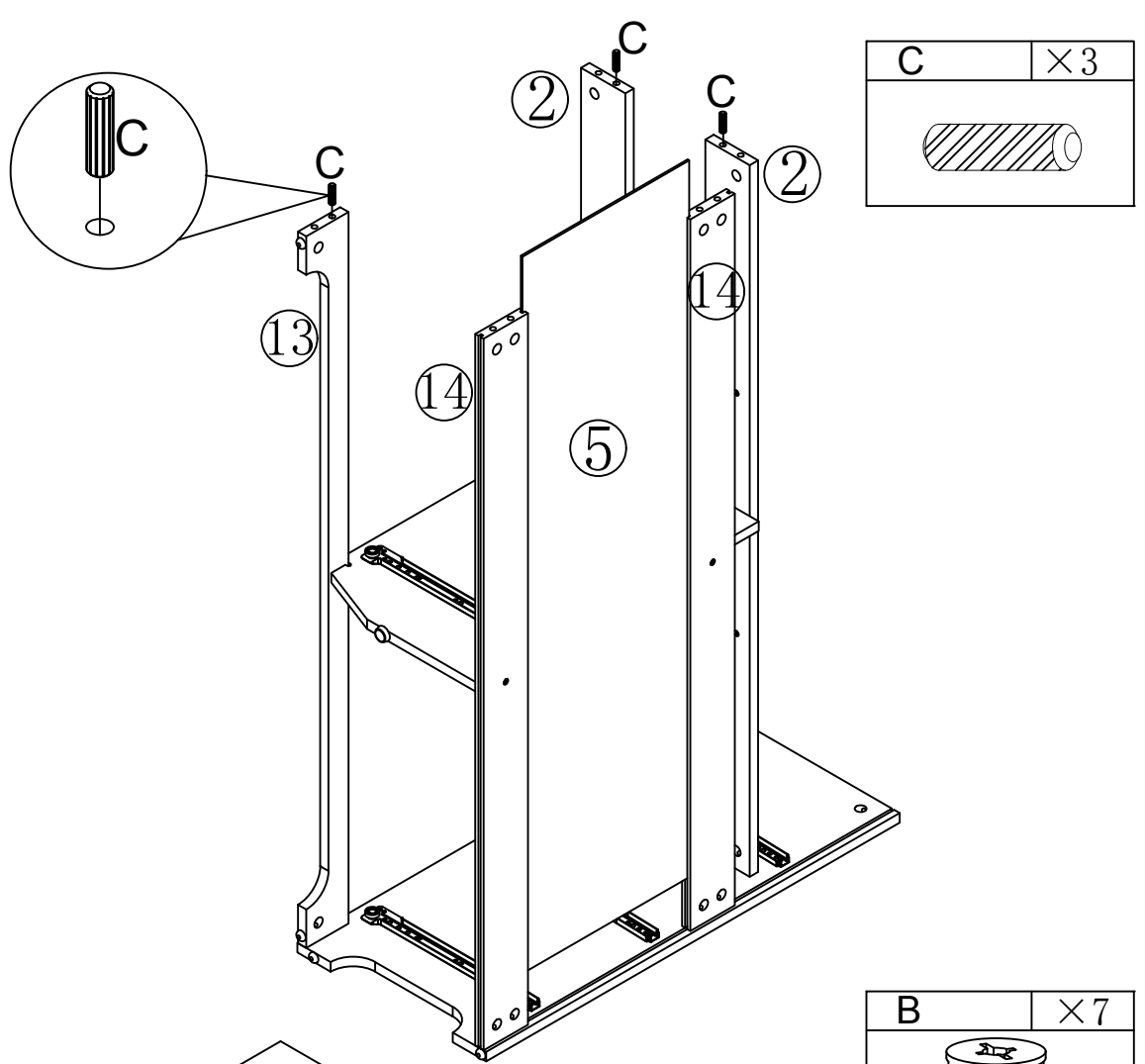
Step 6



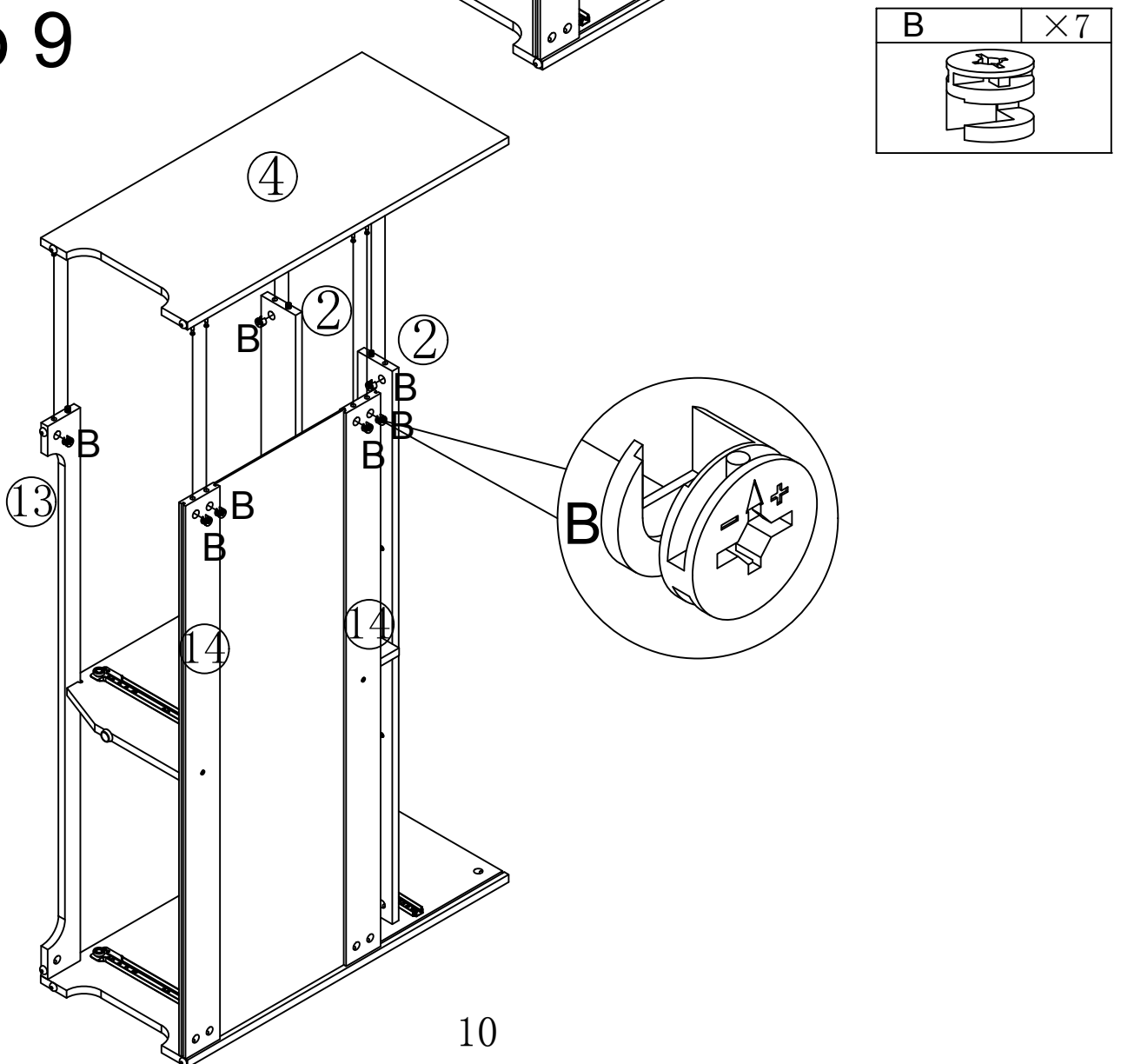
Step 7



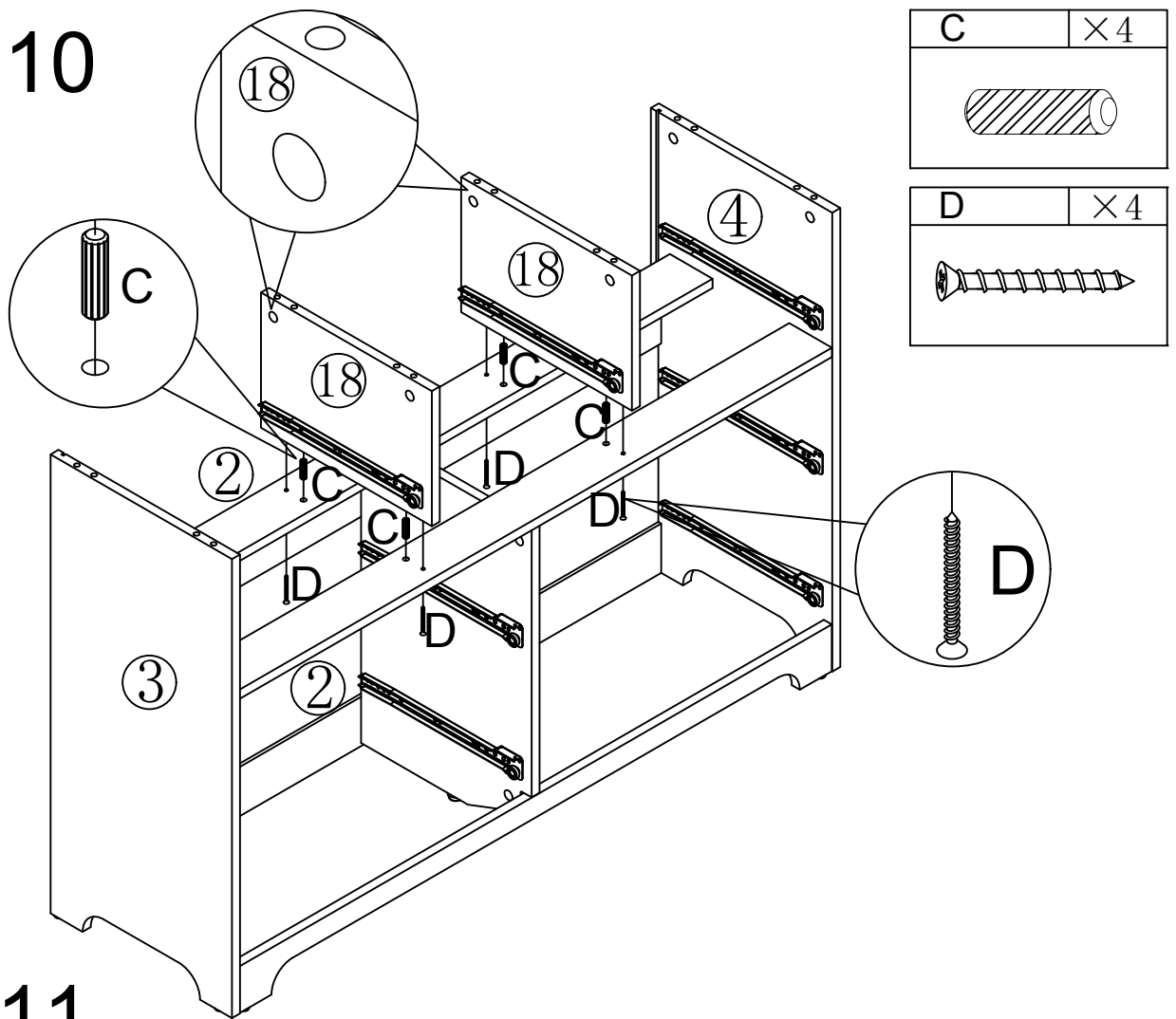
Step 8



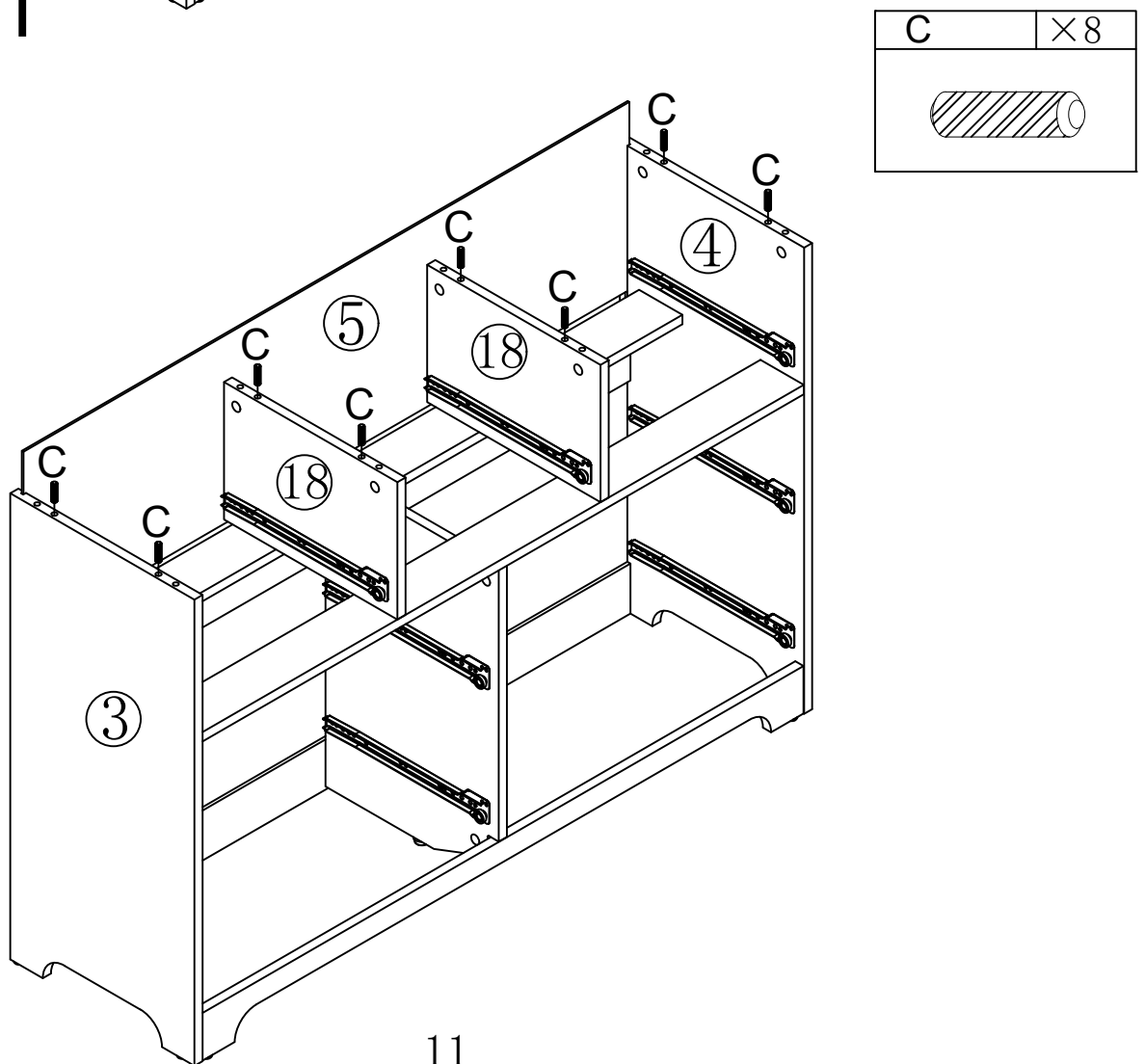
Step 9



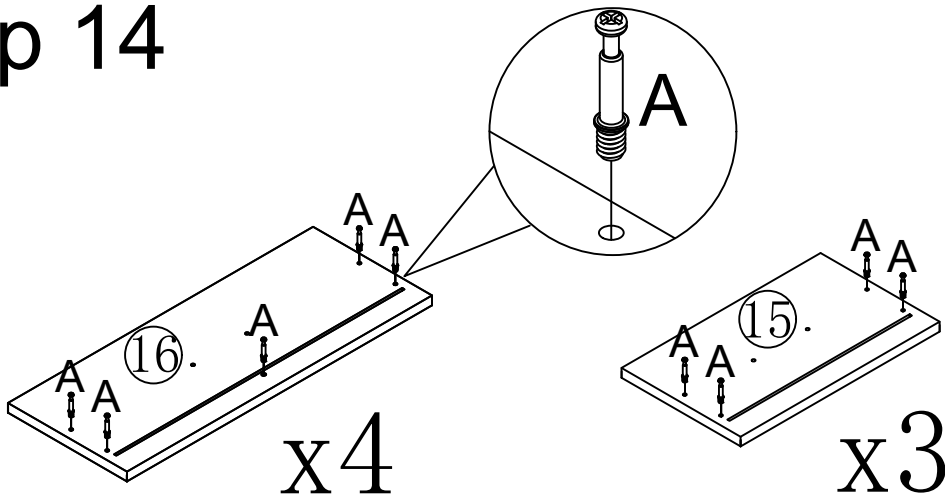
Step 10



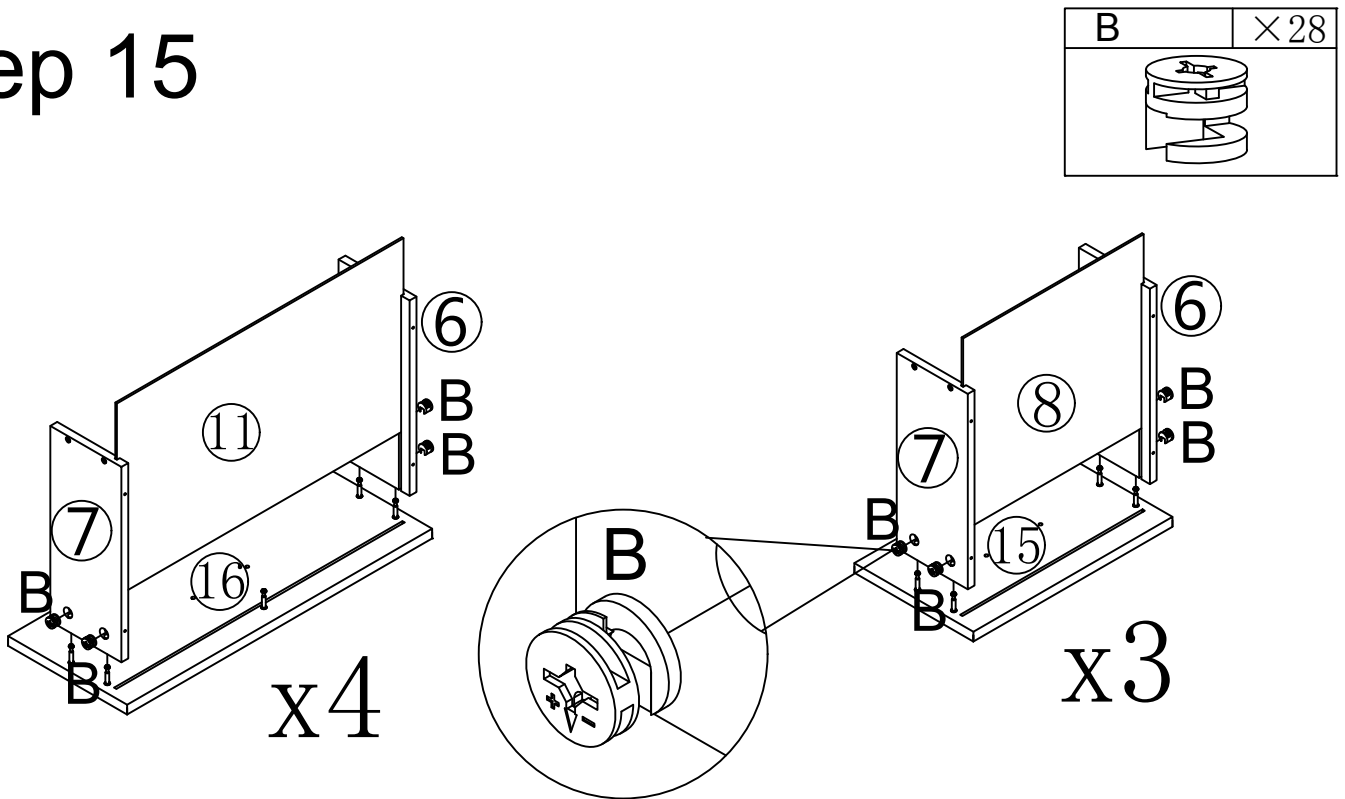
Step 11



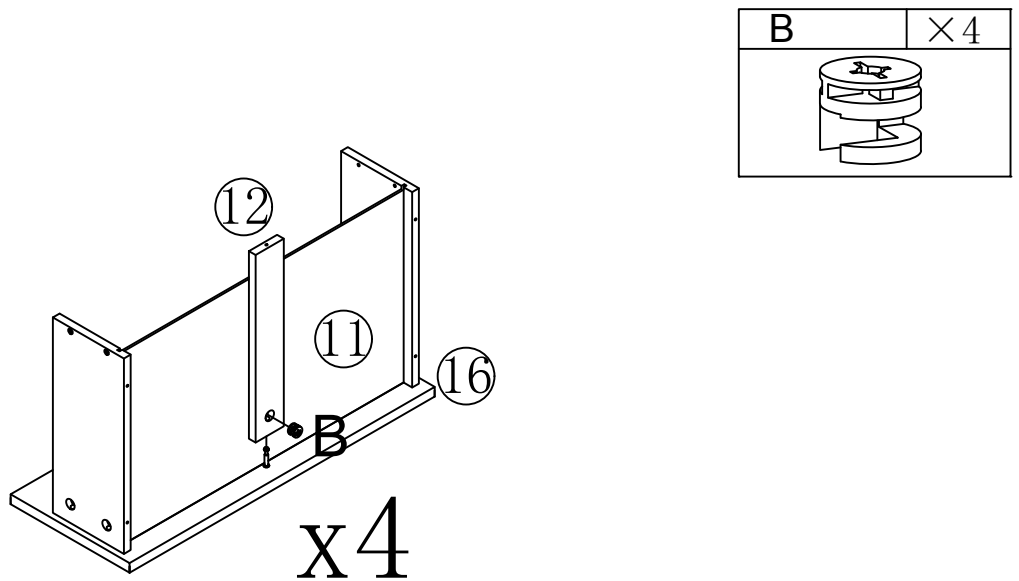
Step 14



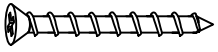
Step 15

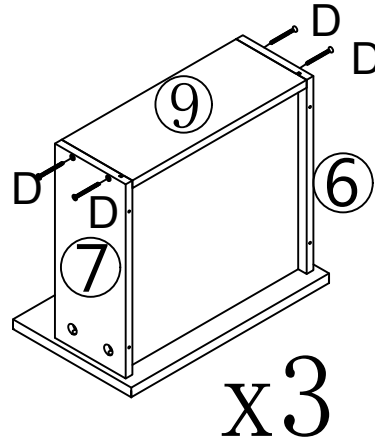
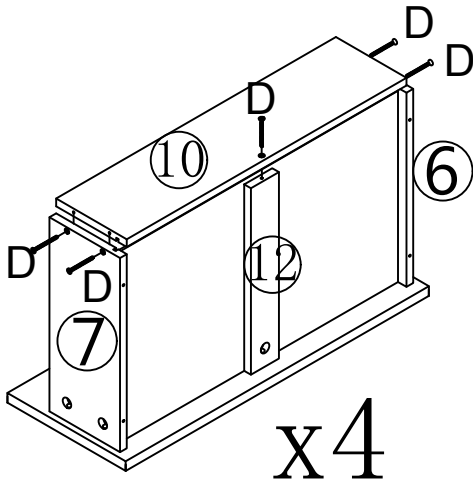


Step 16




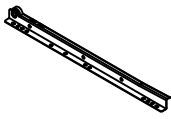
Step 17


D	×32
	

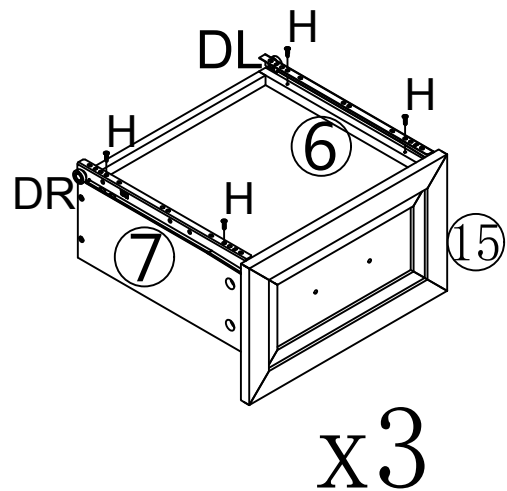
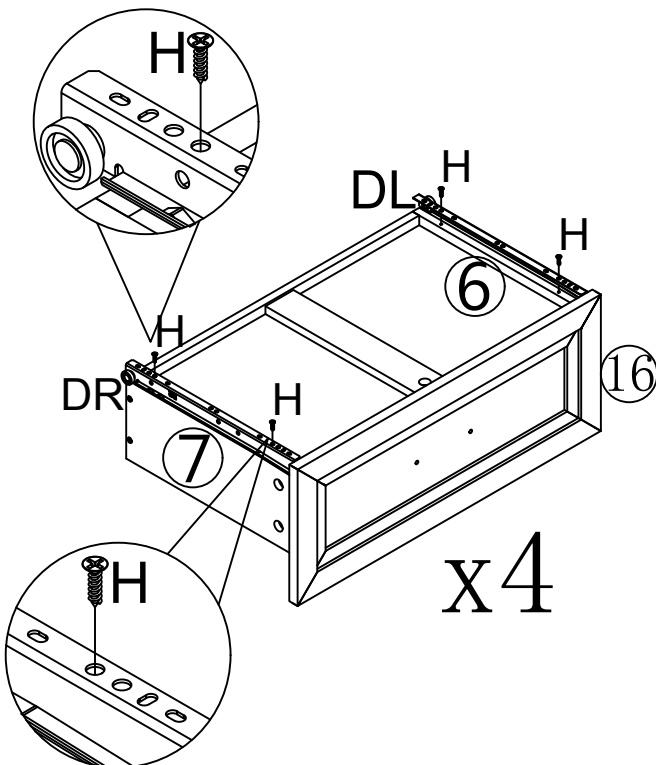
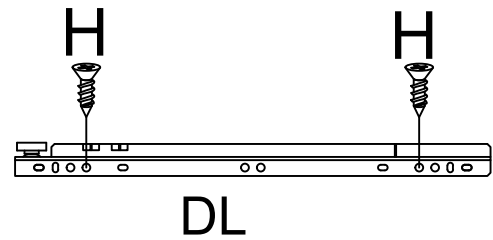
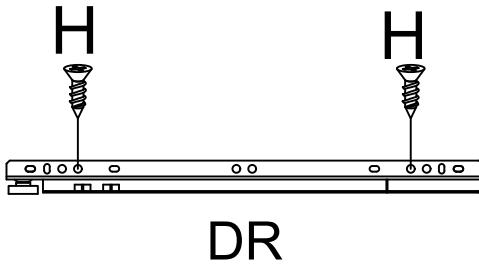


Step 18



DL	×7
	

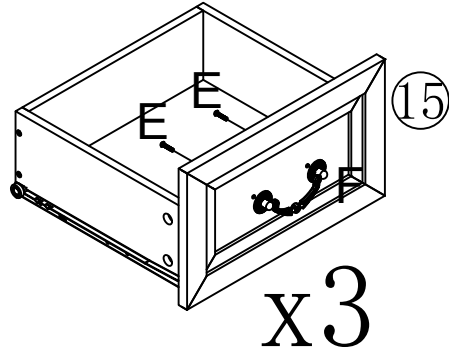
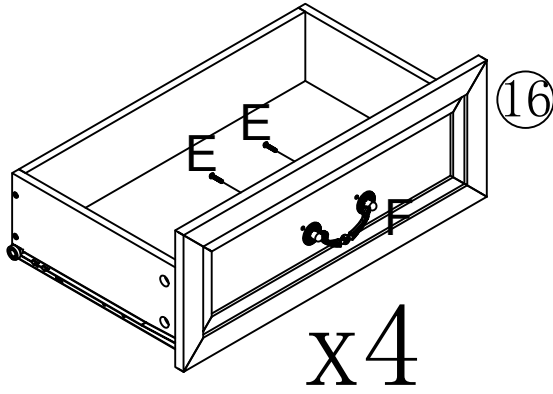
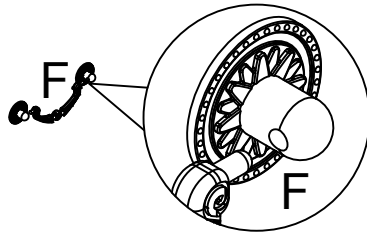
DR	×7
	

H	×28
	

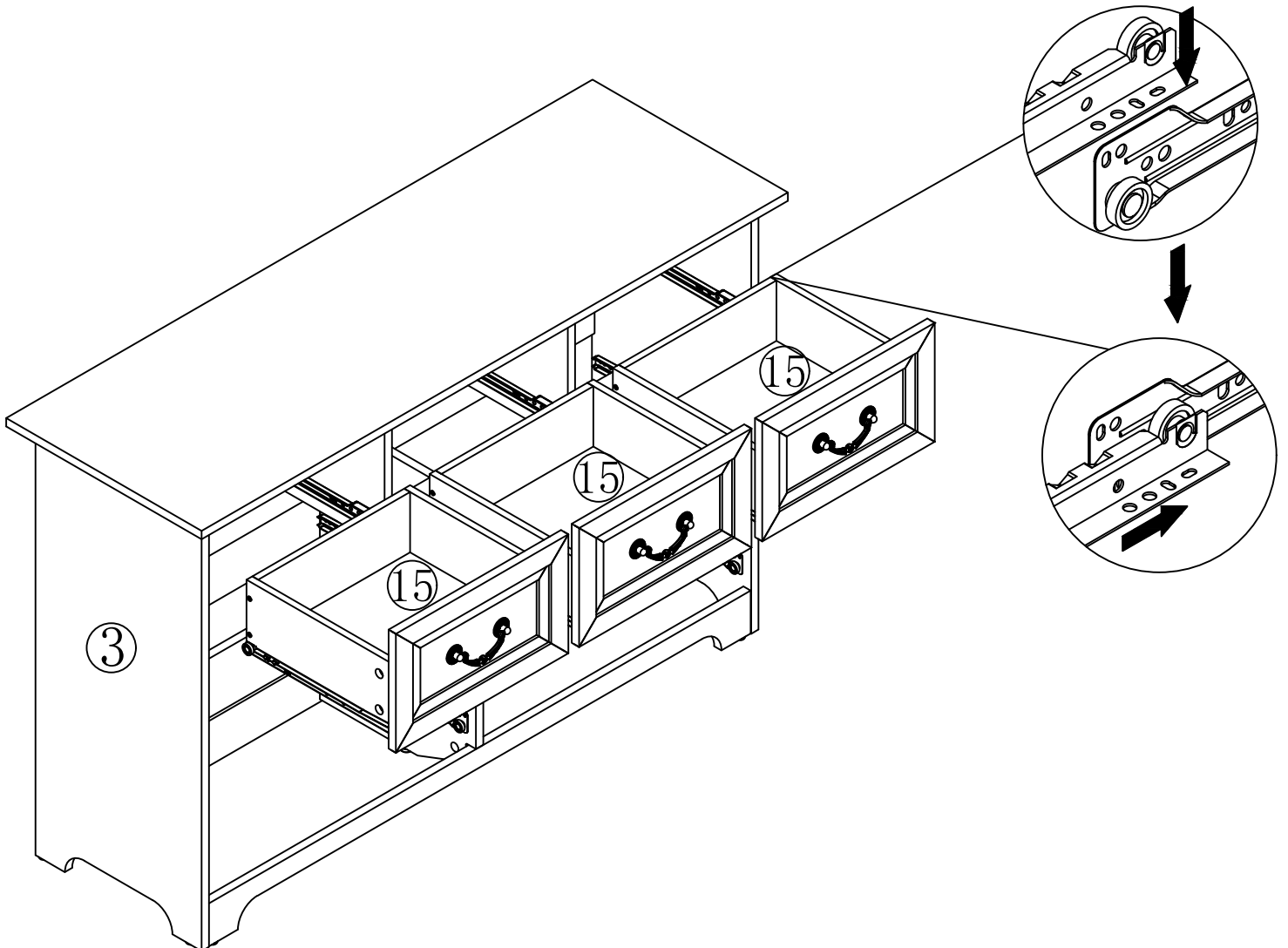


Step 19

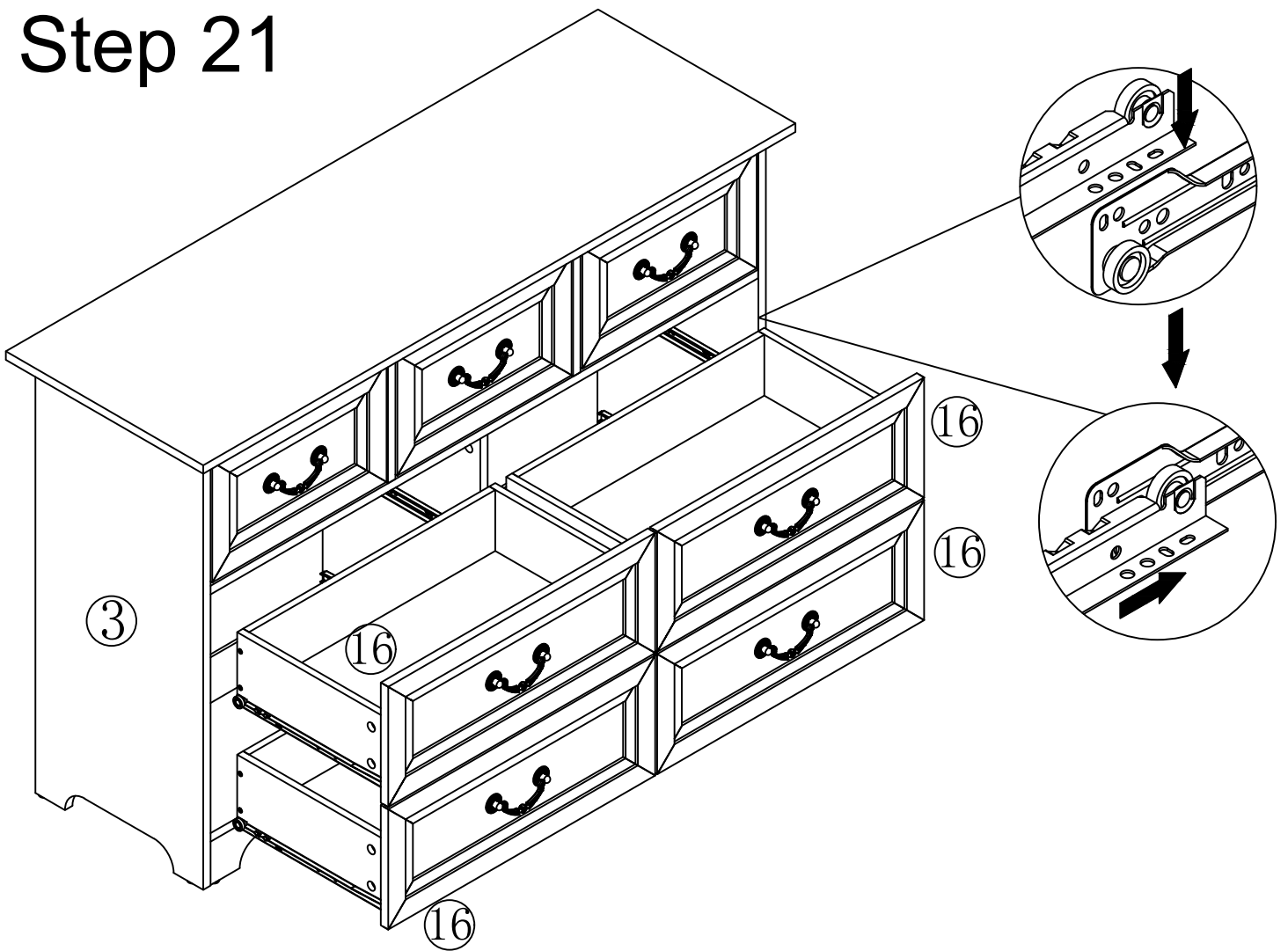
E	×14	F	×7
			



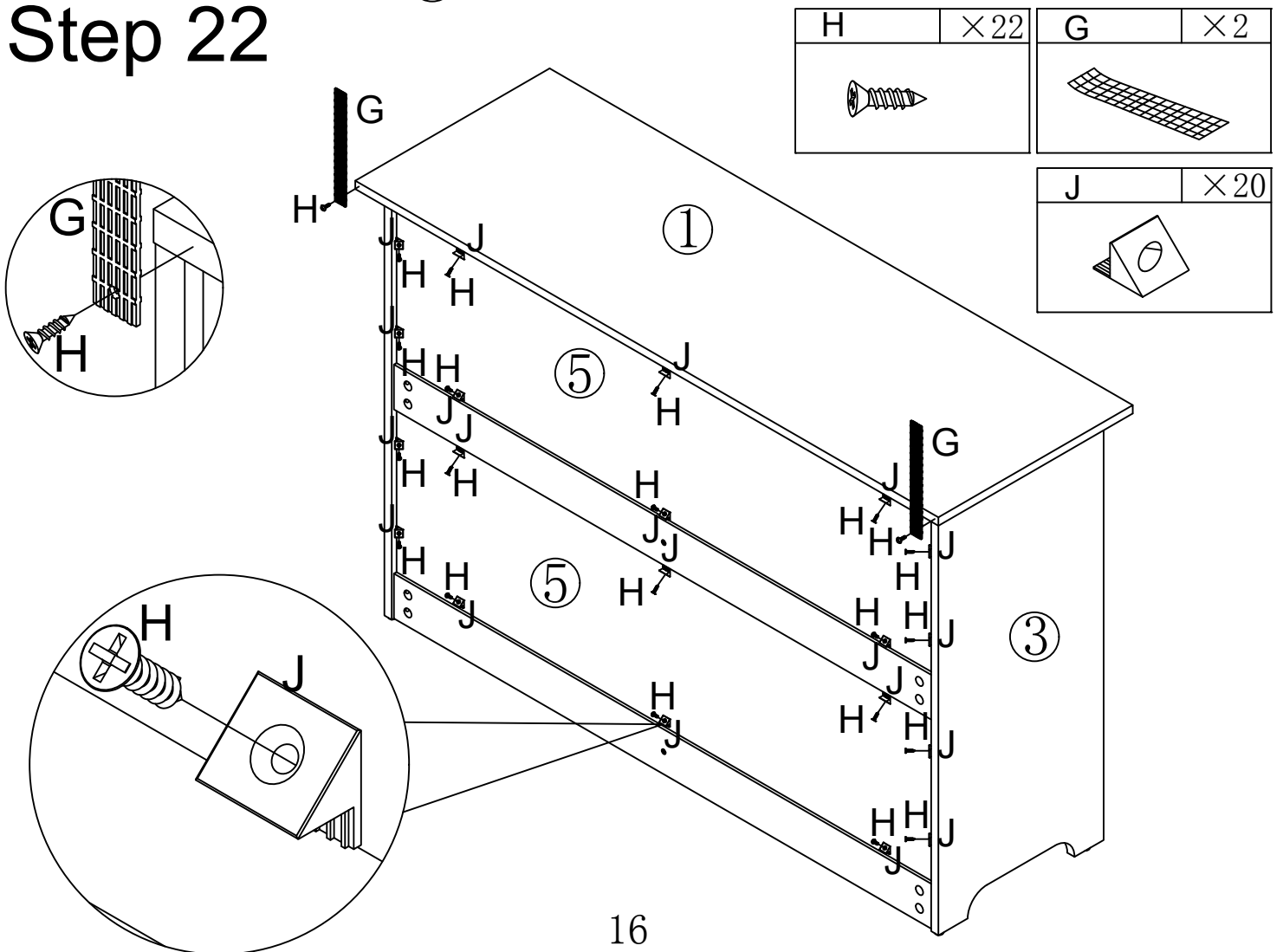
Step 20



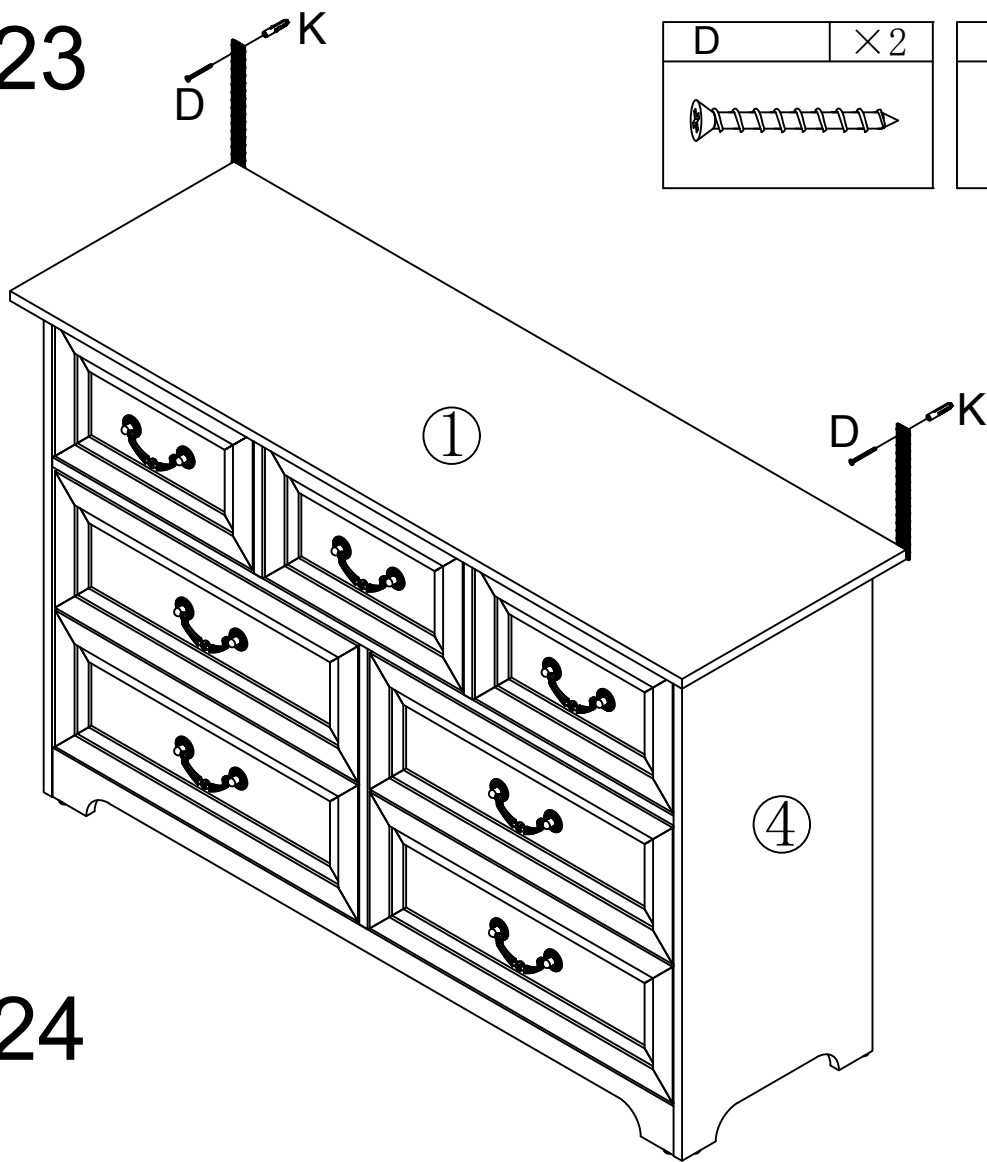
Step 21



Step 22



Step 23



Step 24



If the cabinet is uneven, adjust the plastic foot pads on board 17

