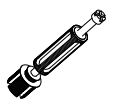

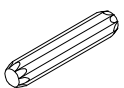

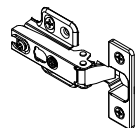
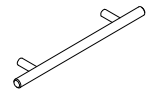

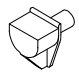

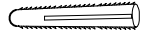
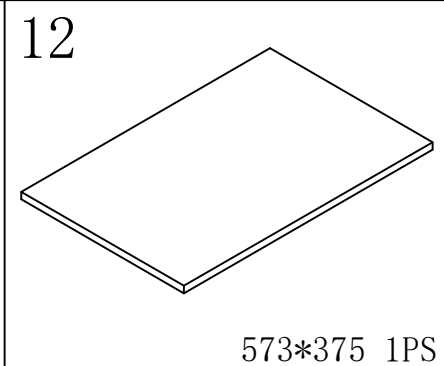
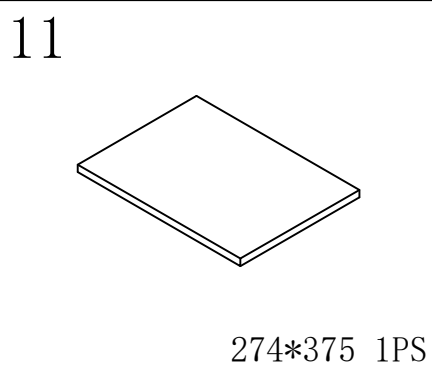
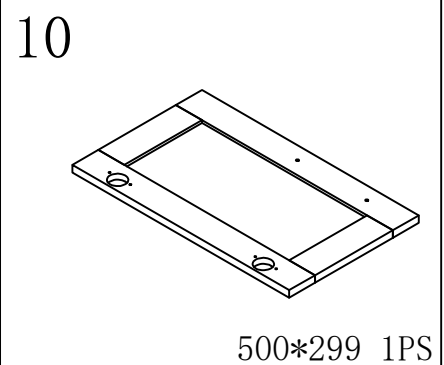
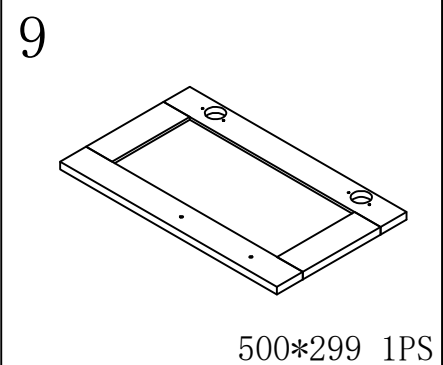
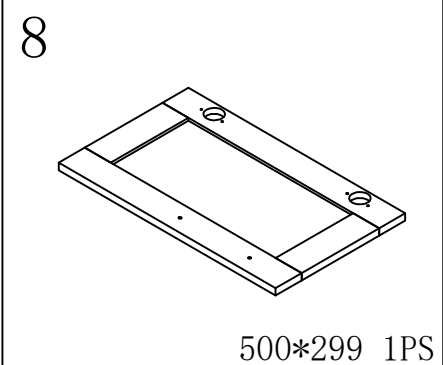
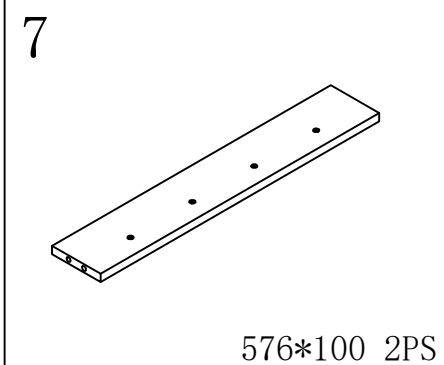
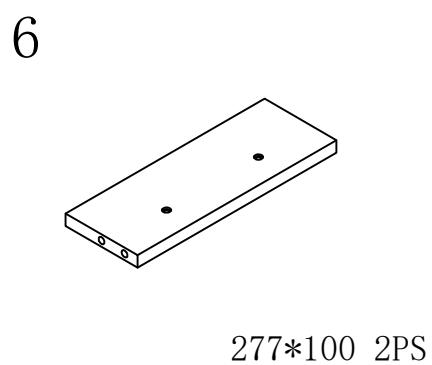
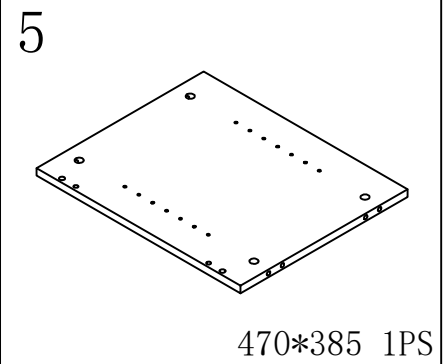
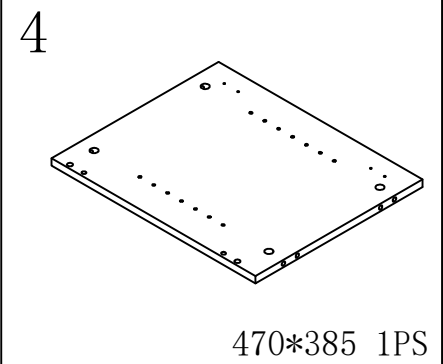
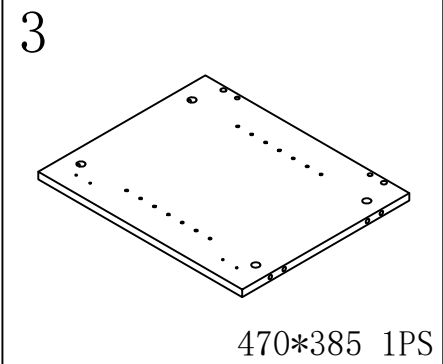
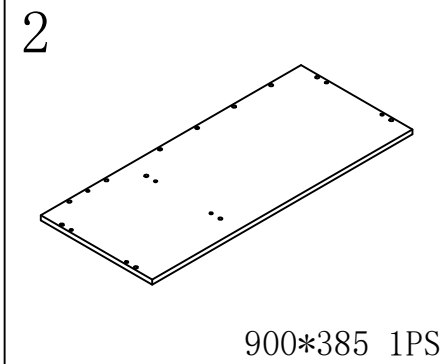
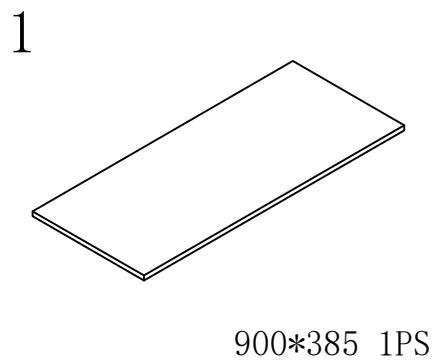


<p>A</p>  <p>32PCS</p>	<p>B</p>  <p>32PCS</p>	<p>C</p> <p>8*40</p>  <p>22PCS</p>	<p>D</p> <p>3.5*14</p>  <p>24PCS</p>	<p>E</p>  <p>6PCS</p>	<p>F</p>  <p>3PCS</p>	<p>G</p> <p>4*18</p>  <p>6PCS</p>	<p>H</p>  <p>8PCS</p>	<p>I</p> <p>4*50</p>  <p>12PCS</p>	<p>J</p> <p>8*40</p>  <p>12PCS</p>
--	---	---	---	---	--	--	--	---	---

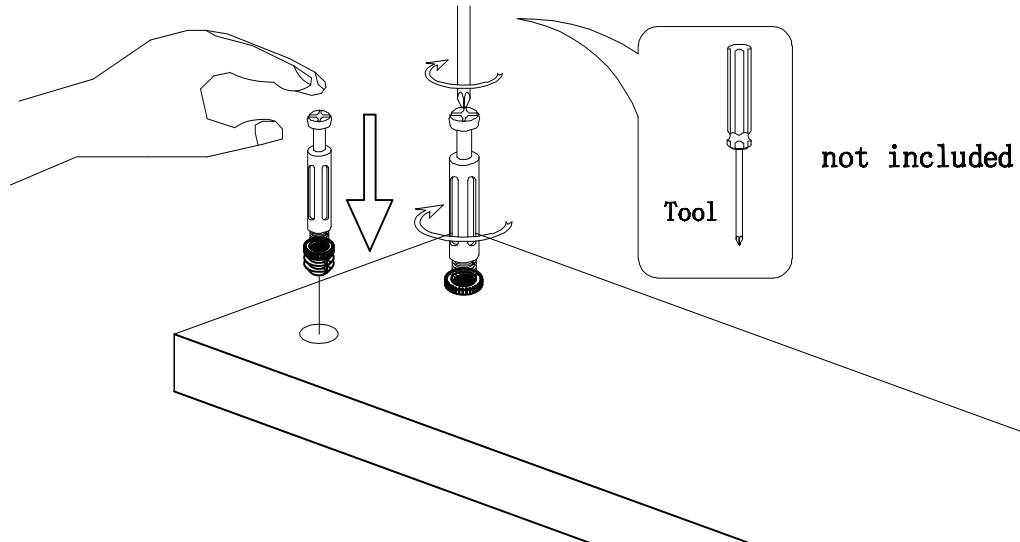




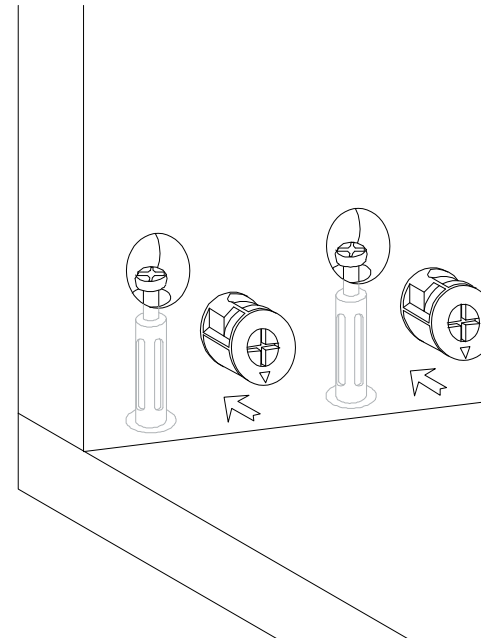
## Hardware installation demonstration

NOTE: Please make sure "A" hardware tightened and can't be pulled out!

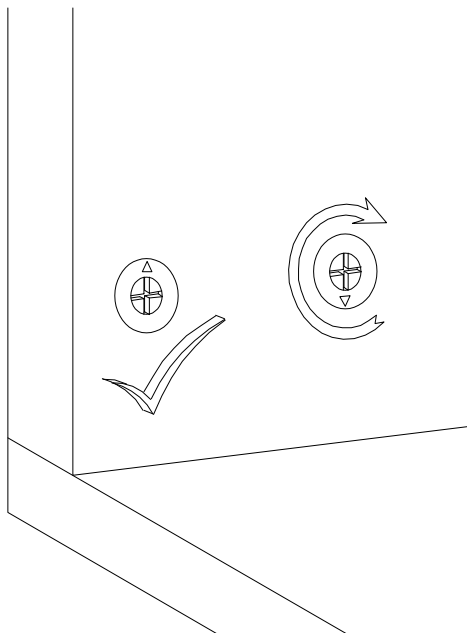
I



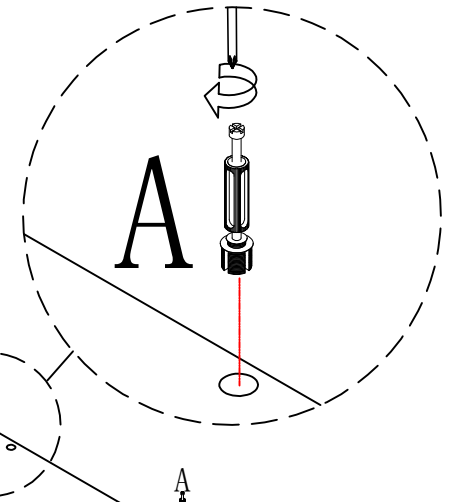
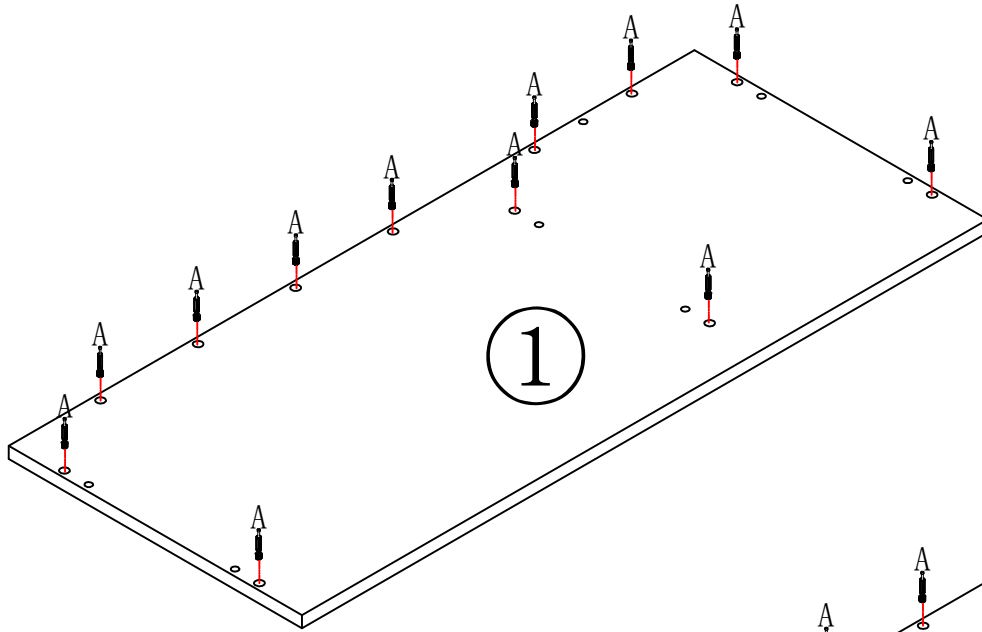
II



III



1



1

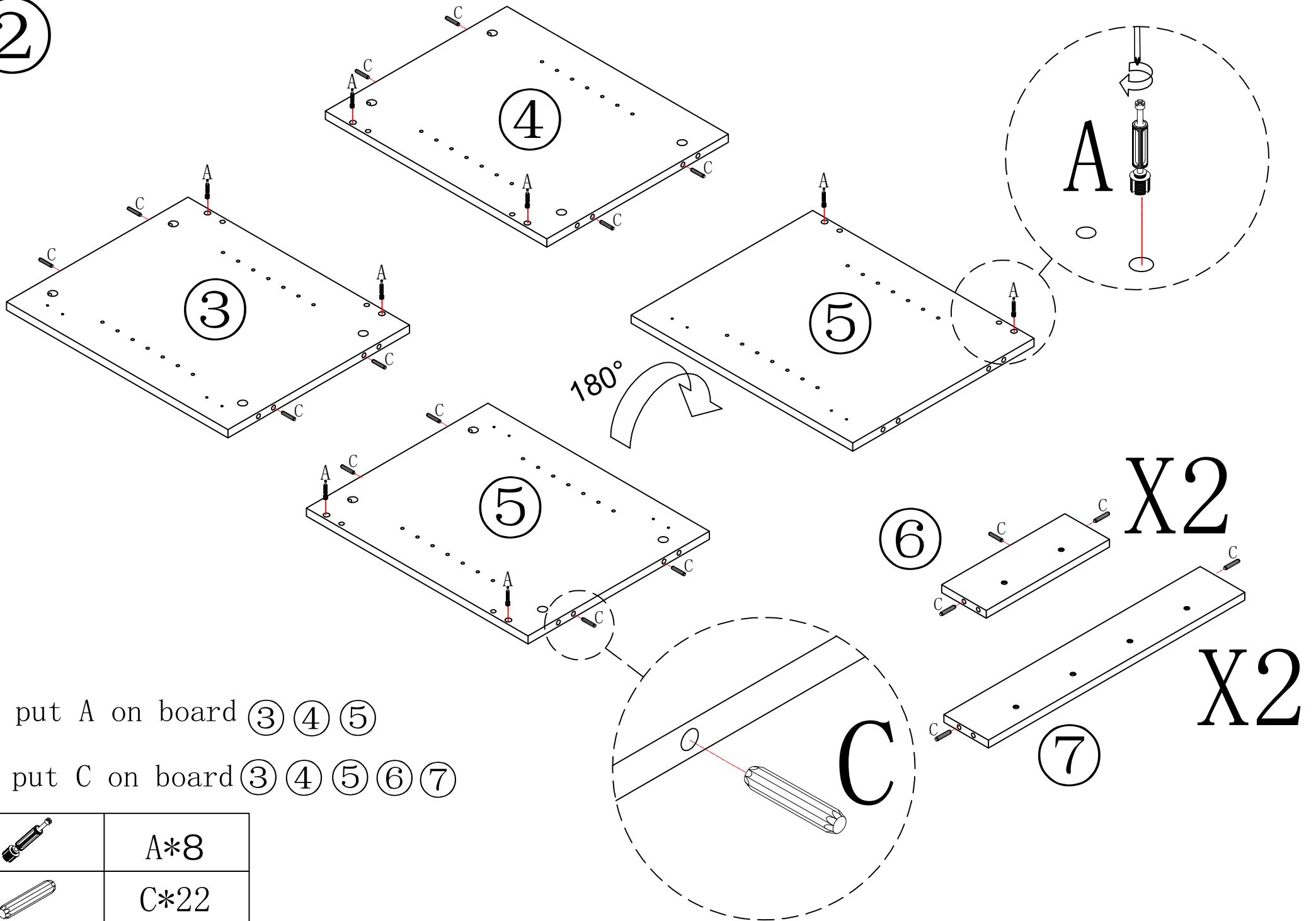
2

put A on board 1 2




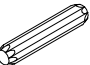
A\*24

2



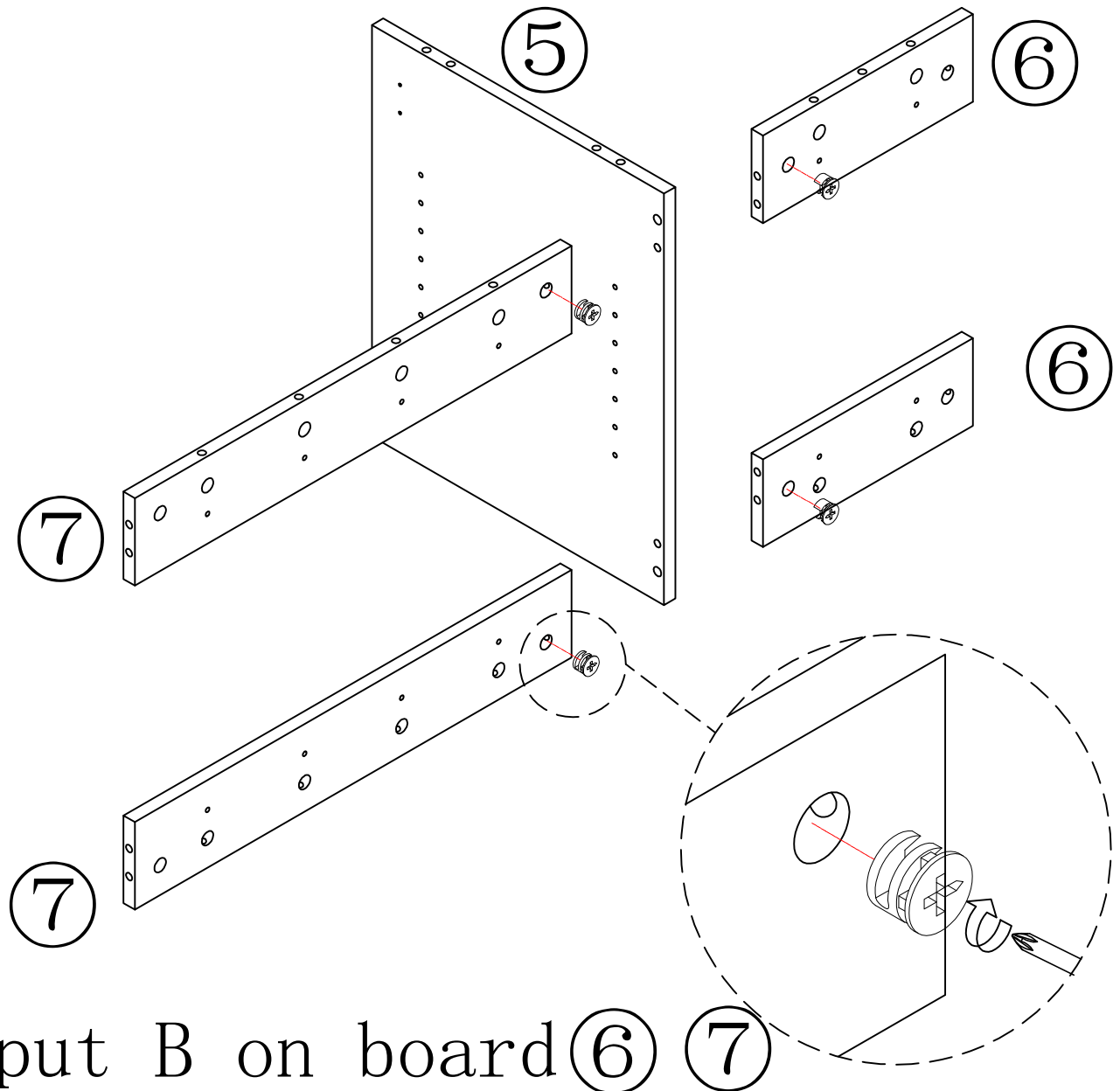
put A on board ③ ④ ⑤

put C on board ③ ④ ⑤ ⑥ ⑦

	A*8
	C*22

3

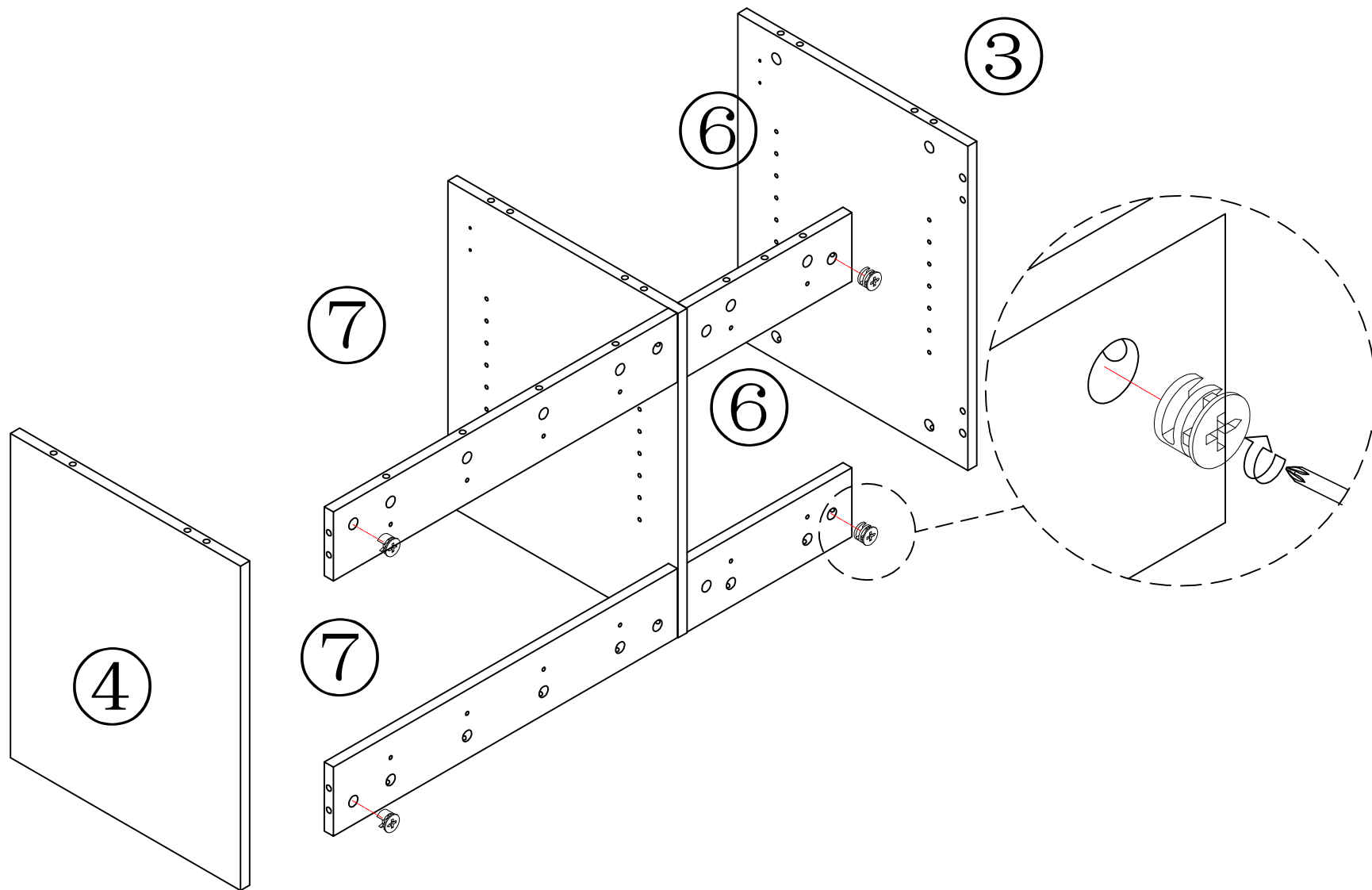
Make sure the arrow on the screw align to the hole on the side



 B\*4

put B on board (6) (7)

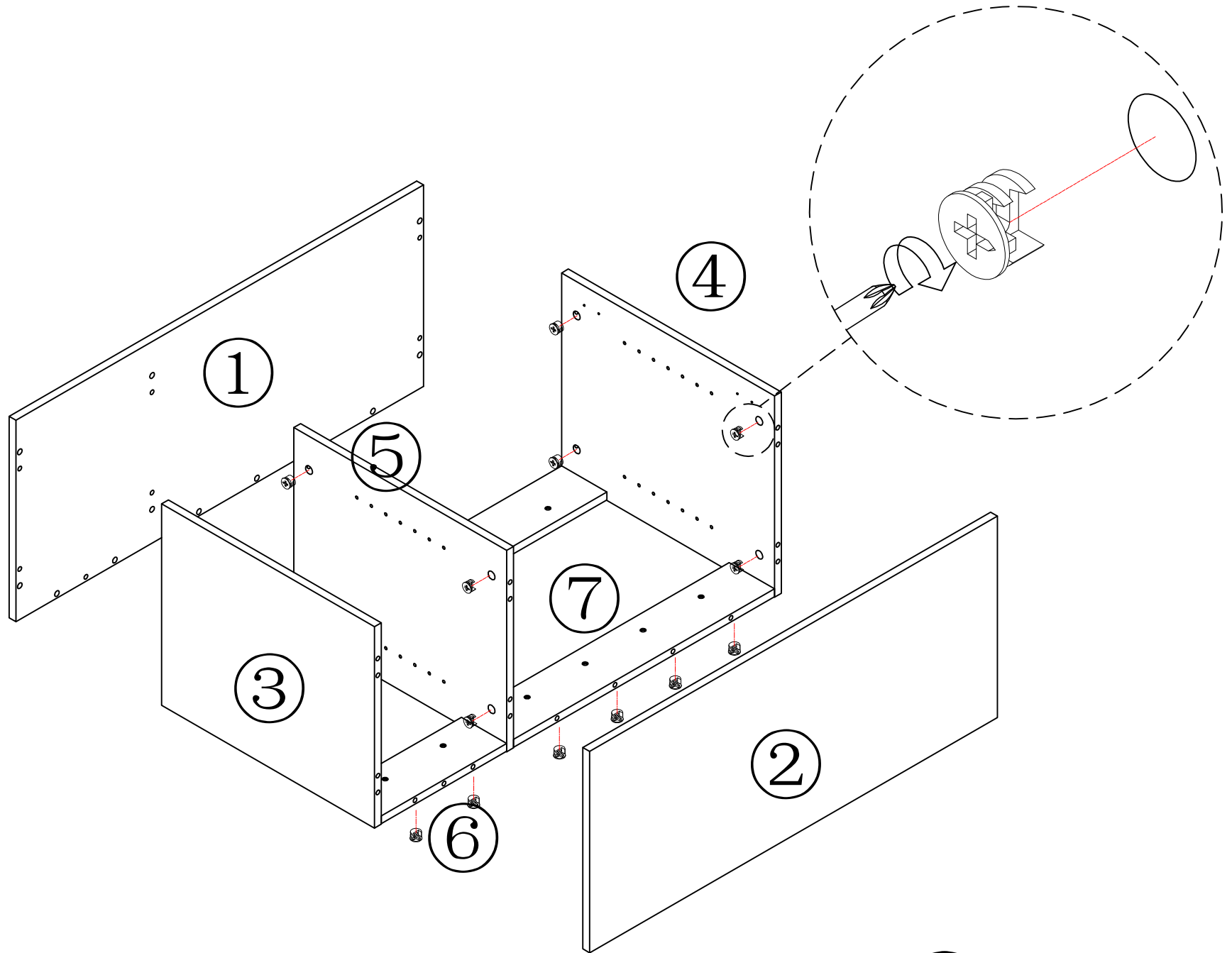
4



B\*4

put B on board 6 7

5

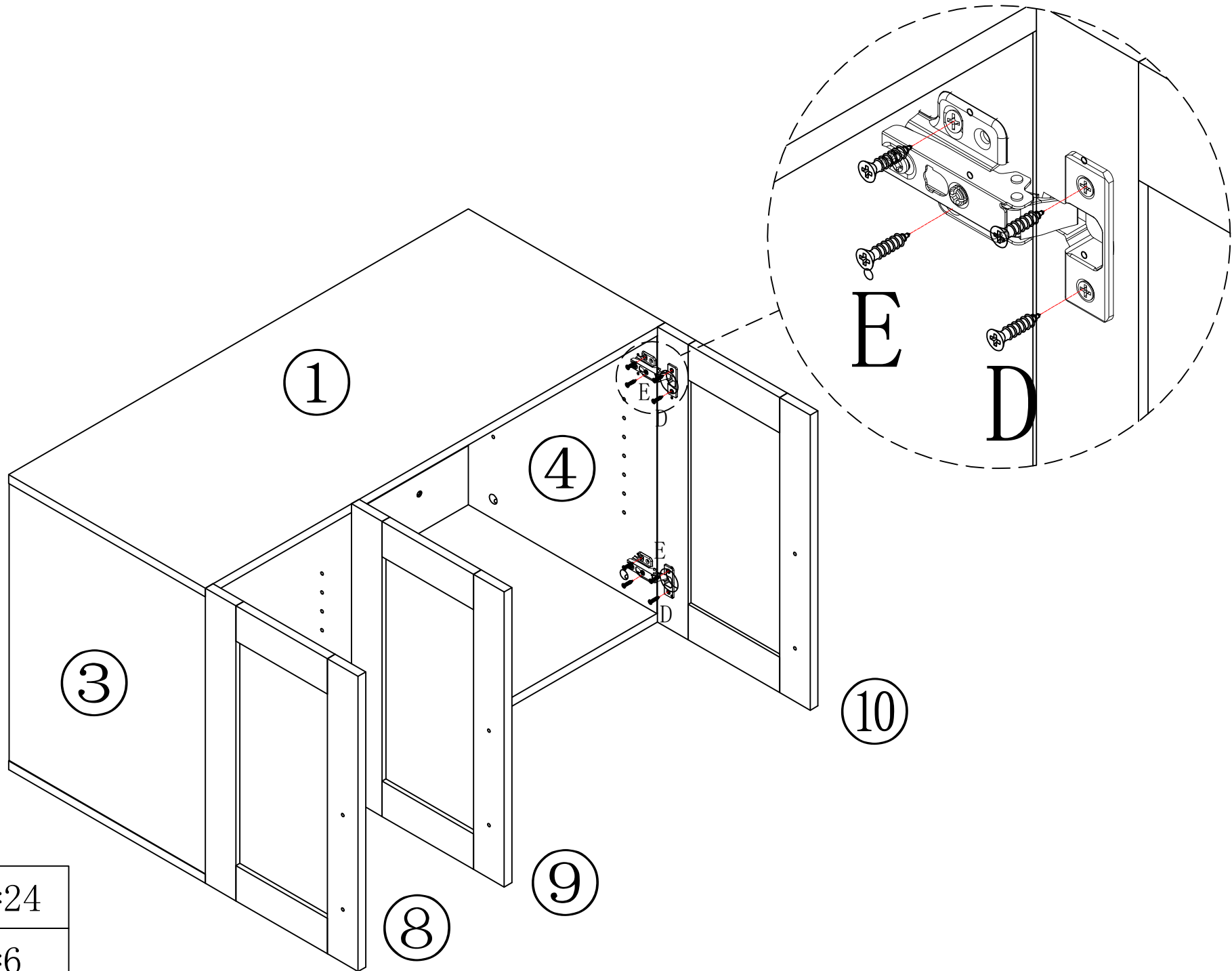


put B on board ③ ④ ⑤ ⑥ ⑦



B\*24

6

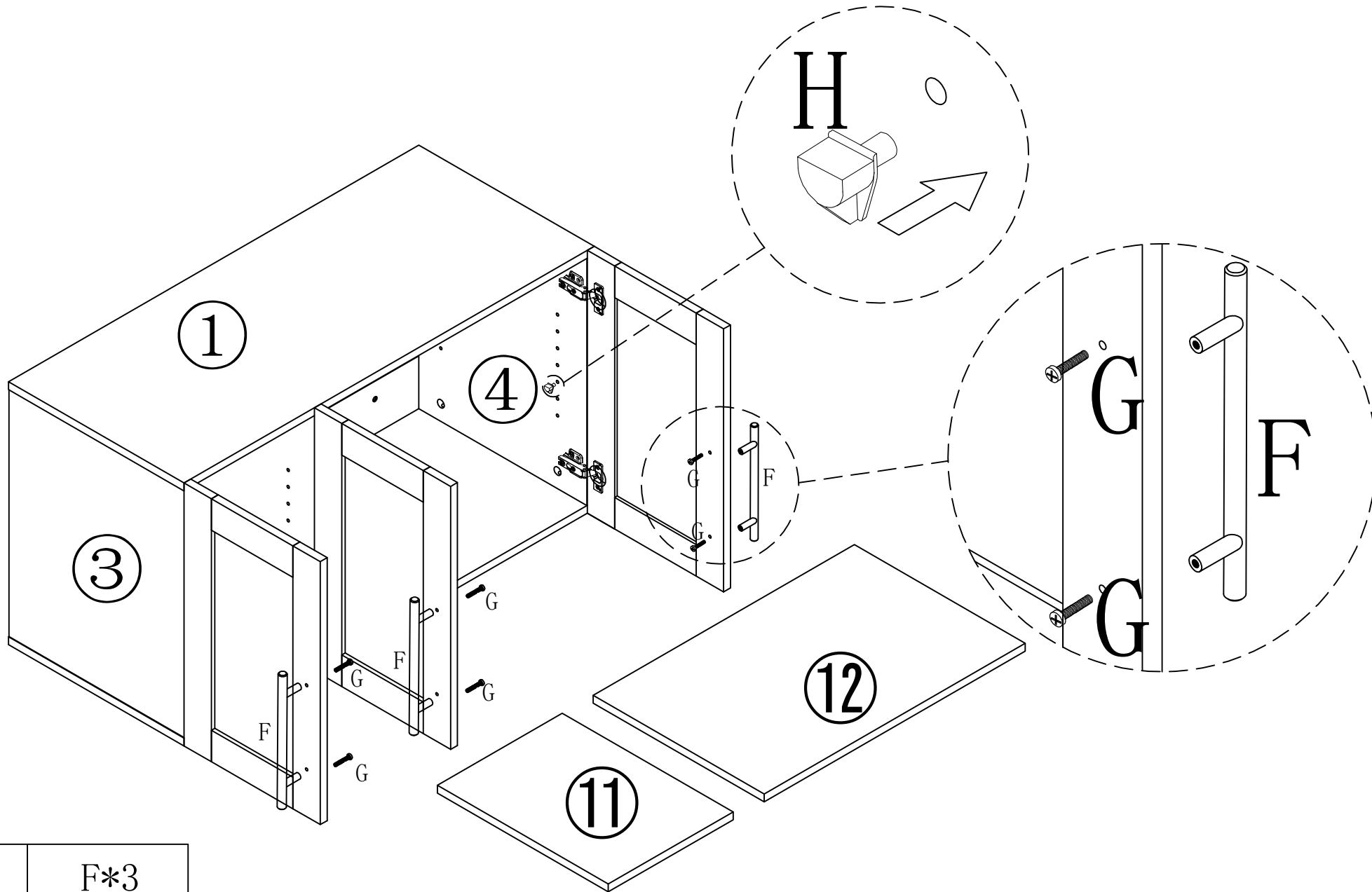


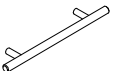


D\*24



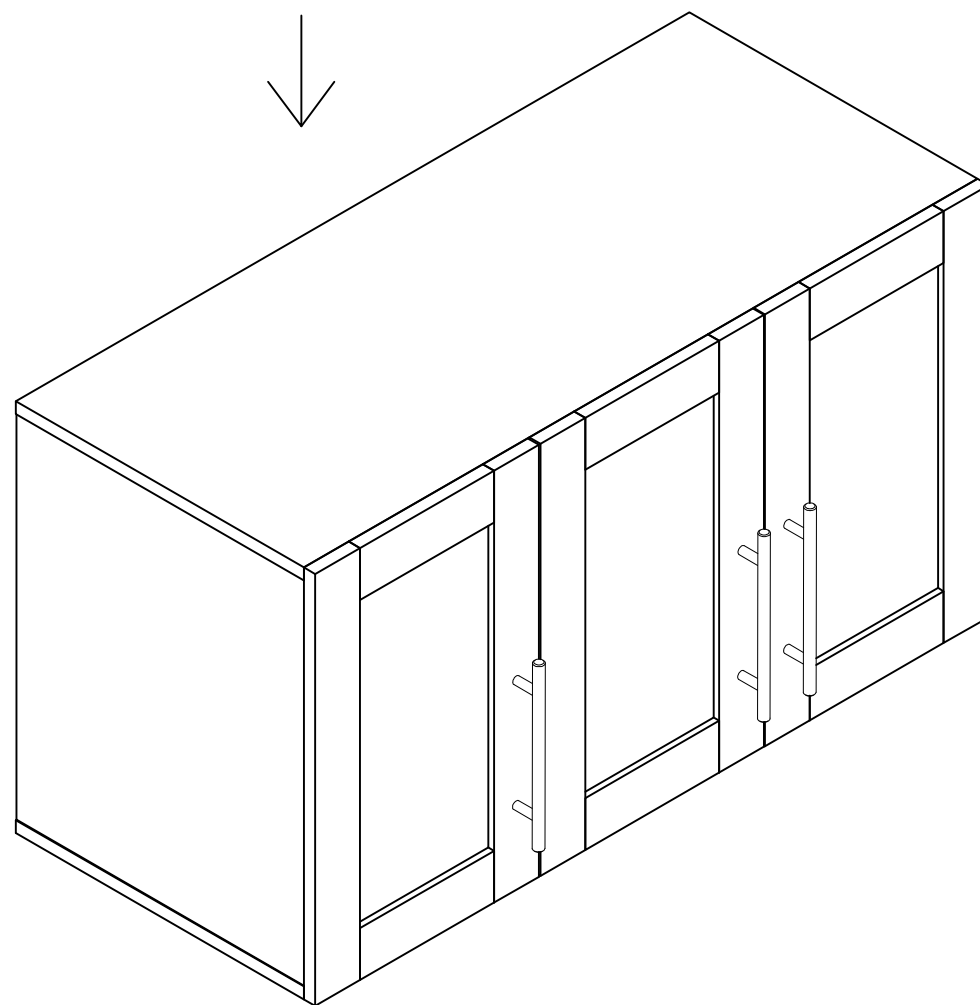
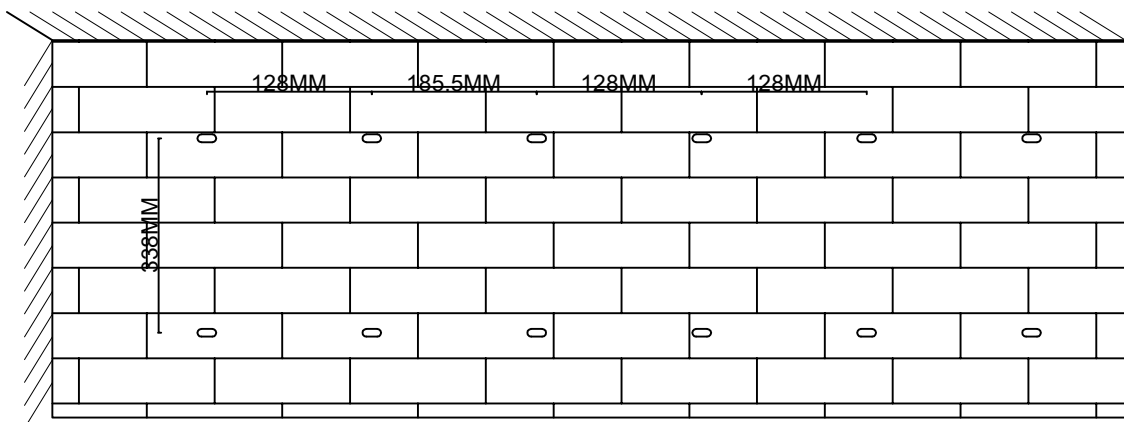
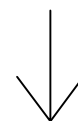
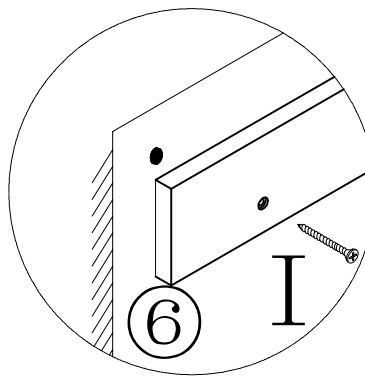
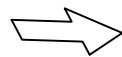
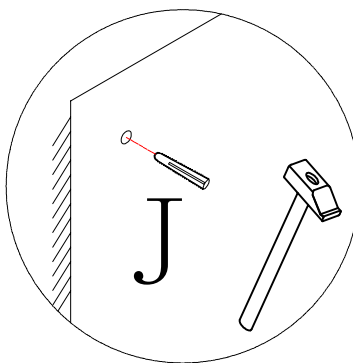
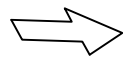
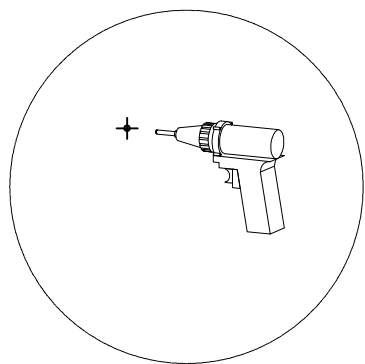
E\*6

7

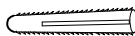


	F*3
	G*6
	H*8

8

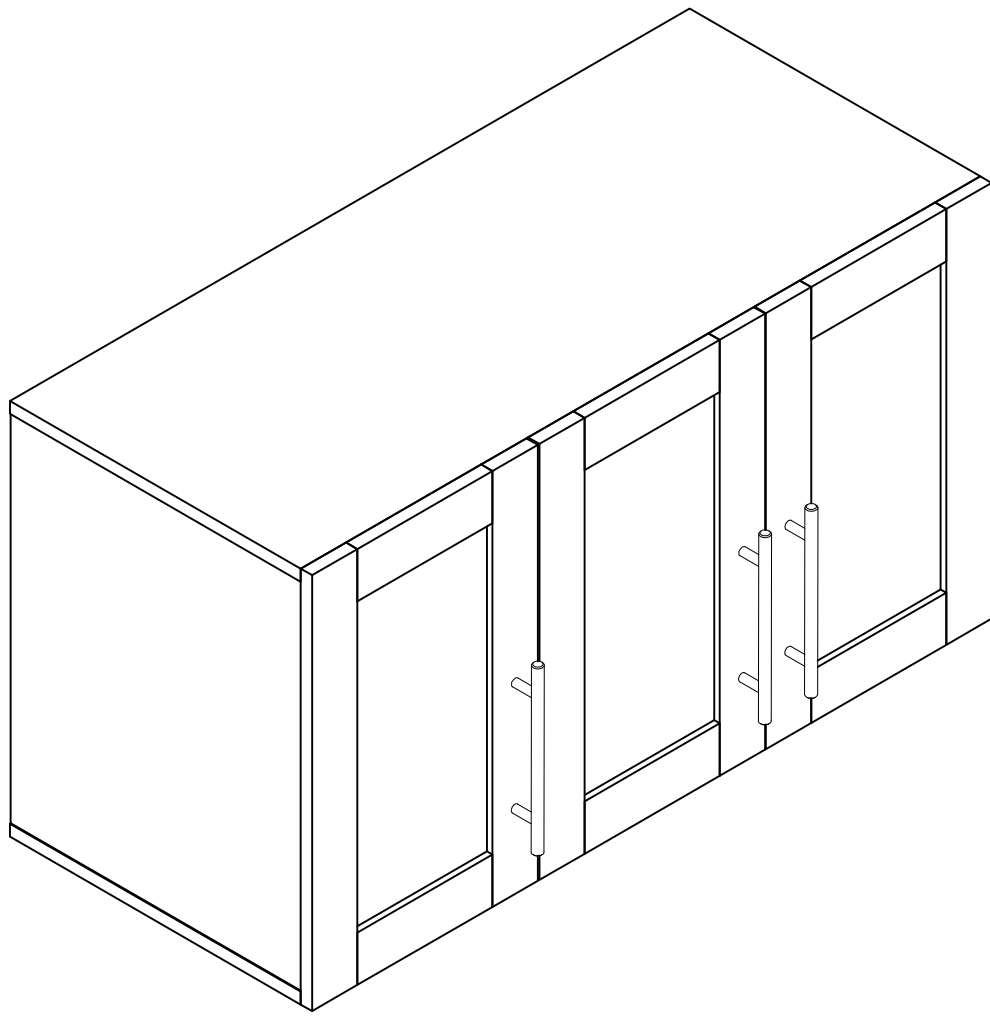


I\*12



J\*12

9



END