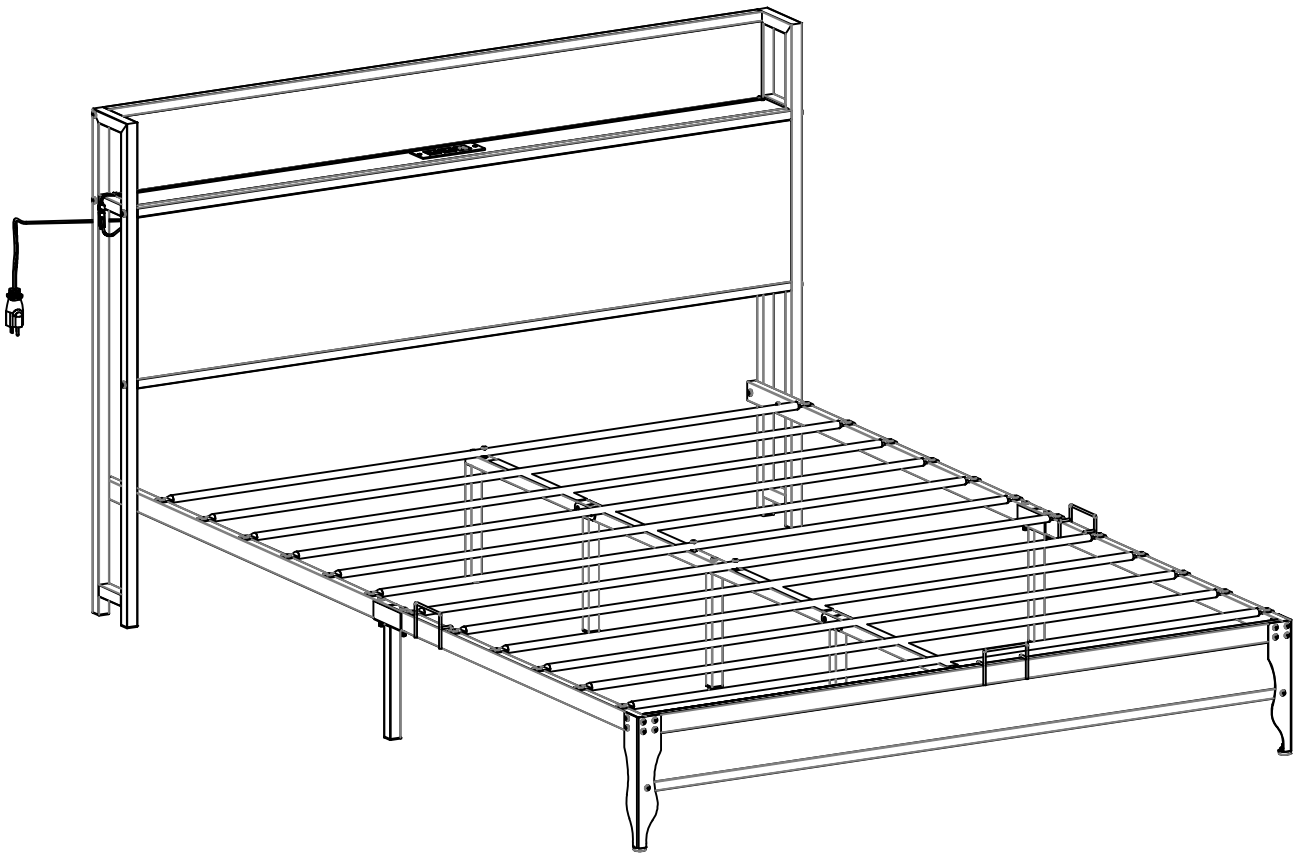
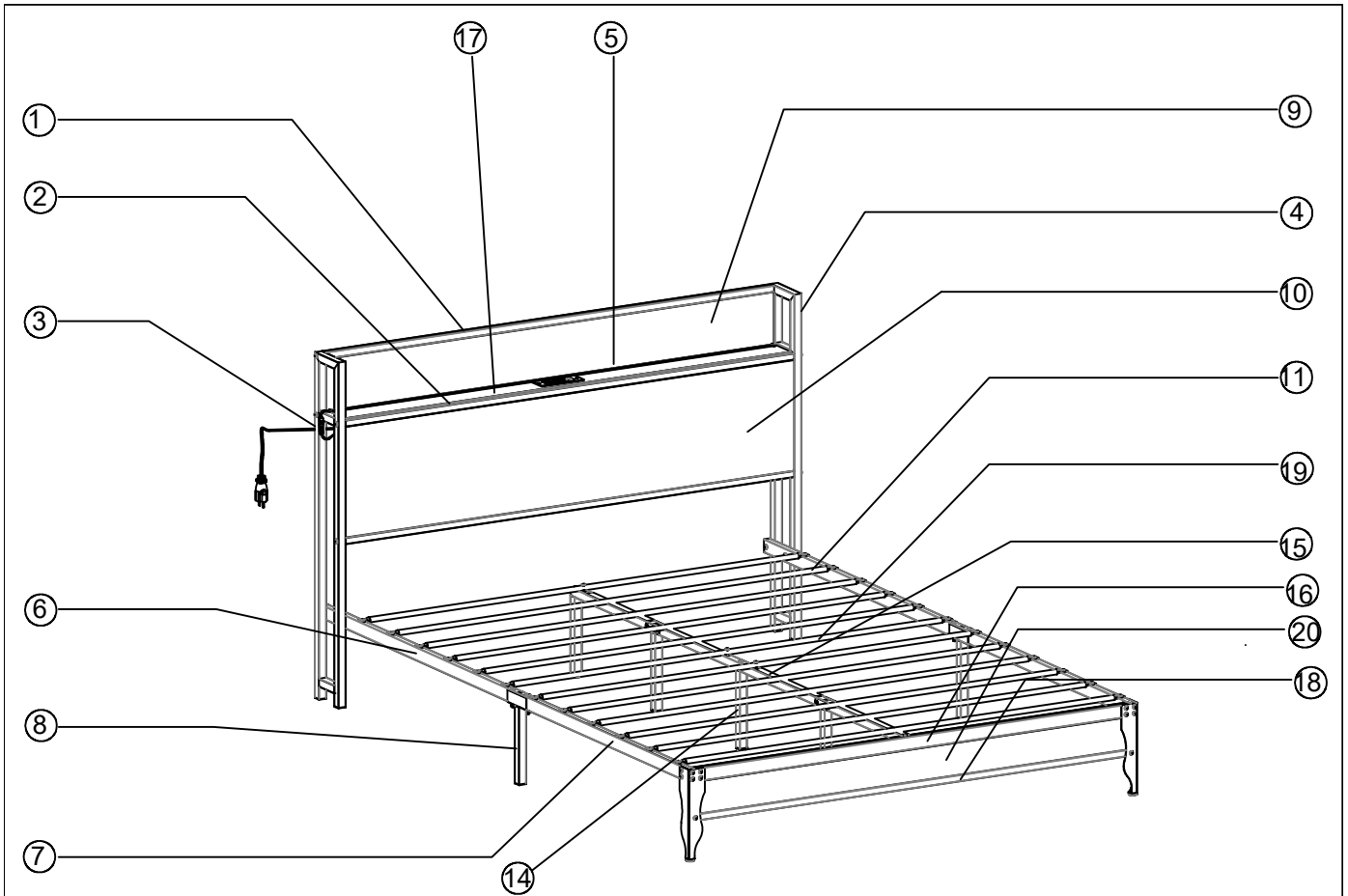


# ASSEMBLY INSTRUCTION

DJ0238-QUEEN/DJ0238-FULL





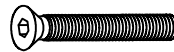
## Parts List:



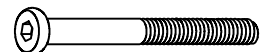
M8X15mm  
 (A) 2PCS



M8X35mm  
 (B) 5PCS



M8X40mm  
 (C) 8PCS



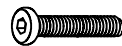
M8X55mm  
 (D) 6PCS



M8  
 (E) 1PC



M6X12mm  
 (F) 54PCS



M6X25mm  
 (G) 14PCS



M6X30mm  
 (J) 3PCS



M6  
 (K) 1PC



M4X12mm  
 (L) 2PCS

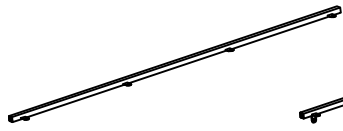


(M) 1PC

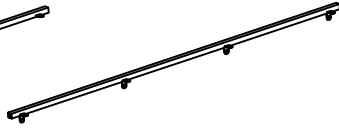


(N) 1PC

# Parts List:



① 2PCS



② 1PC



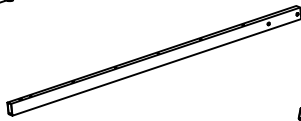
③ 1PC



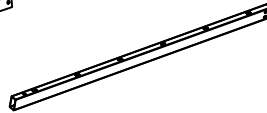
④ 1PC



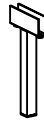
⑤ 1PC



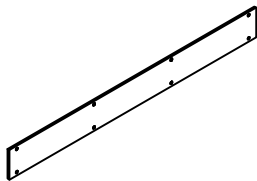
⑥ 2PCS



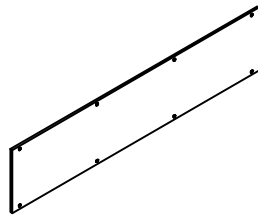
⑦ 2PCS



⑧ 2PCS



⑨ 1PC



⑩ 1PC



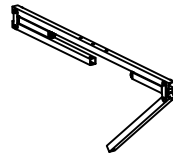
⑪ 9PCS



⑫ 1PC



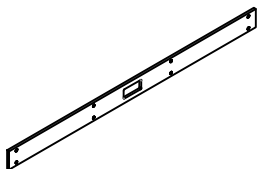
⑭ 2PCS



⑮ 1PCS



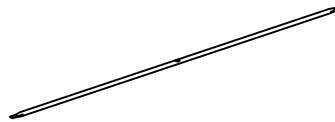
⑯ 1PC



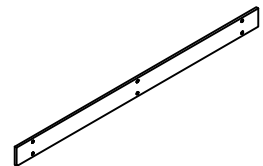
⑰ 1PC



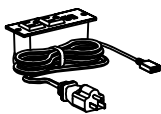
⑱ 1PC



⑲ 3PCS



⑳ 1PC



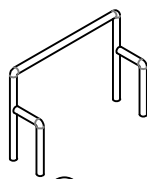
㉑ 1PC




㉒ 1PC

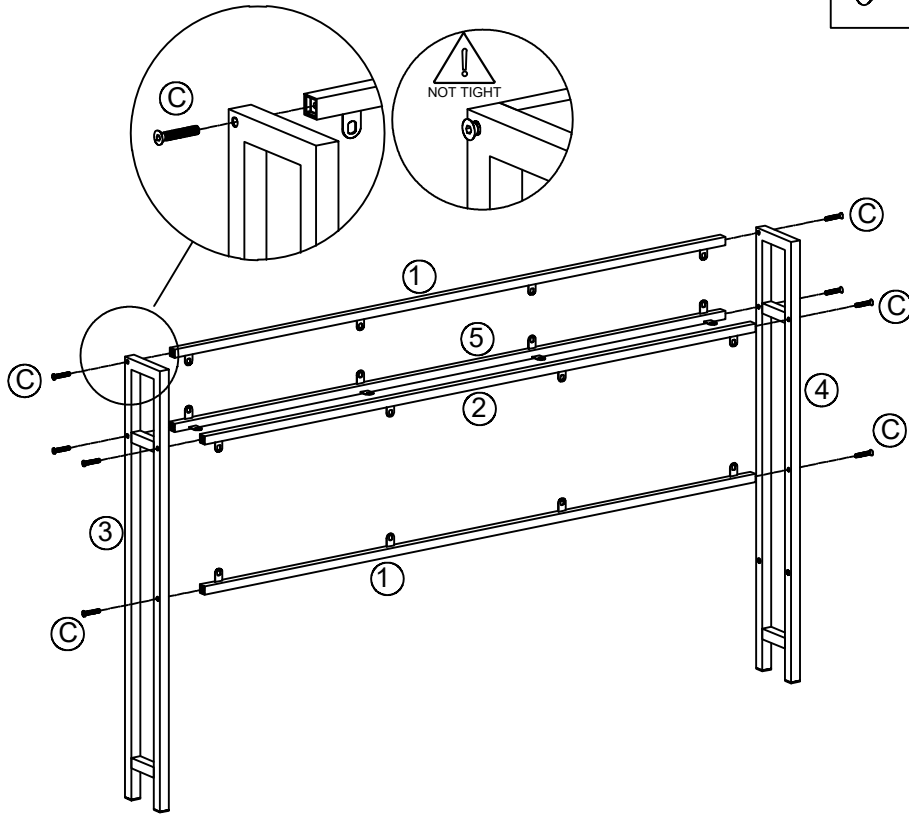


㉓ 3PCS



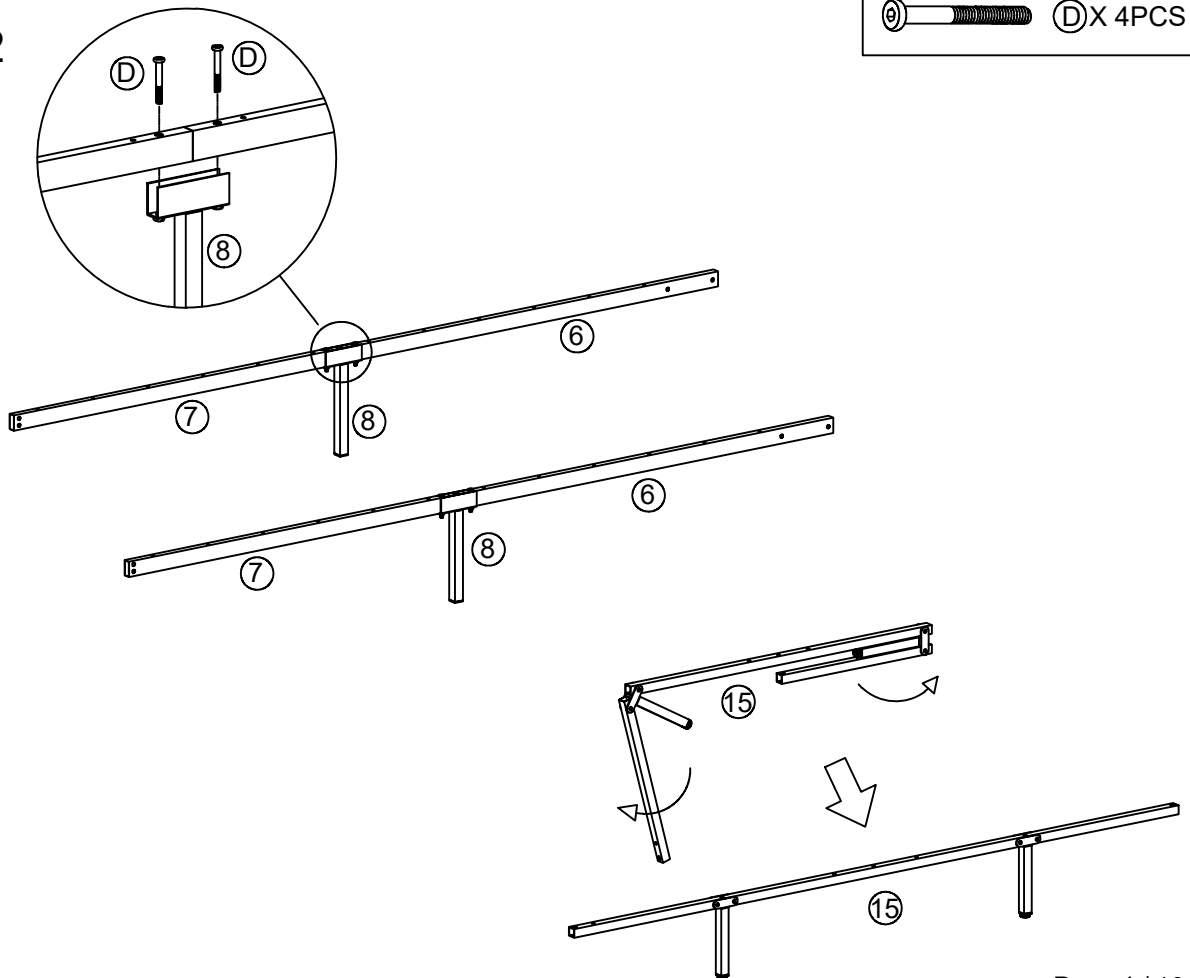
# Step:1

 C X 8PCS






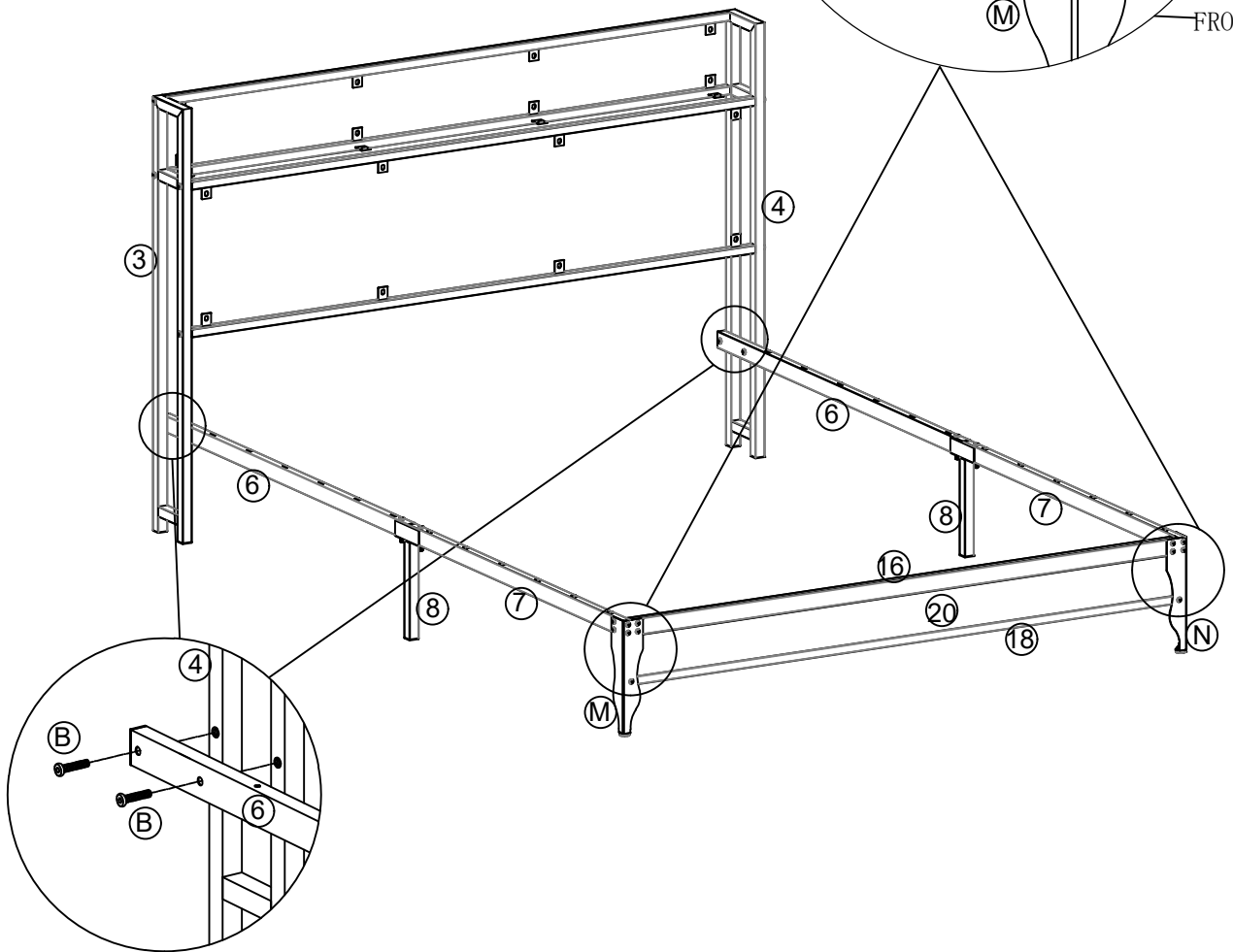
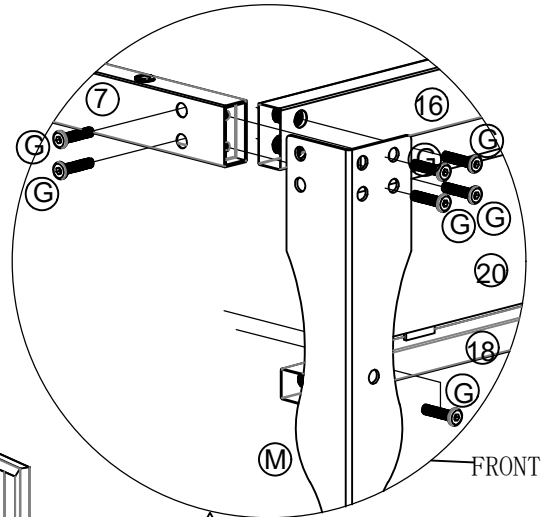
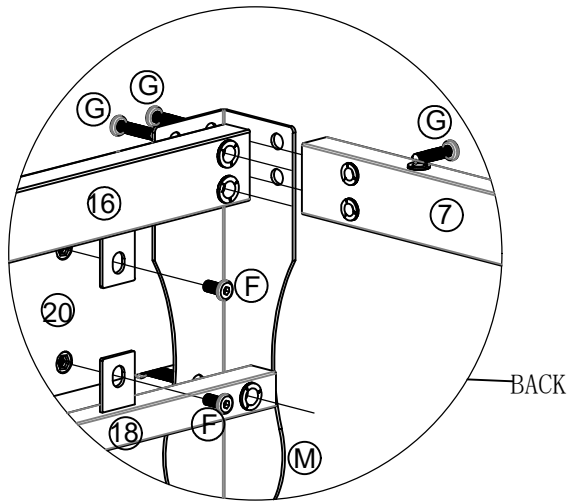
# Step:2

 D X 4PCS





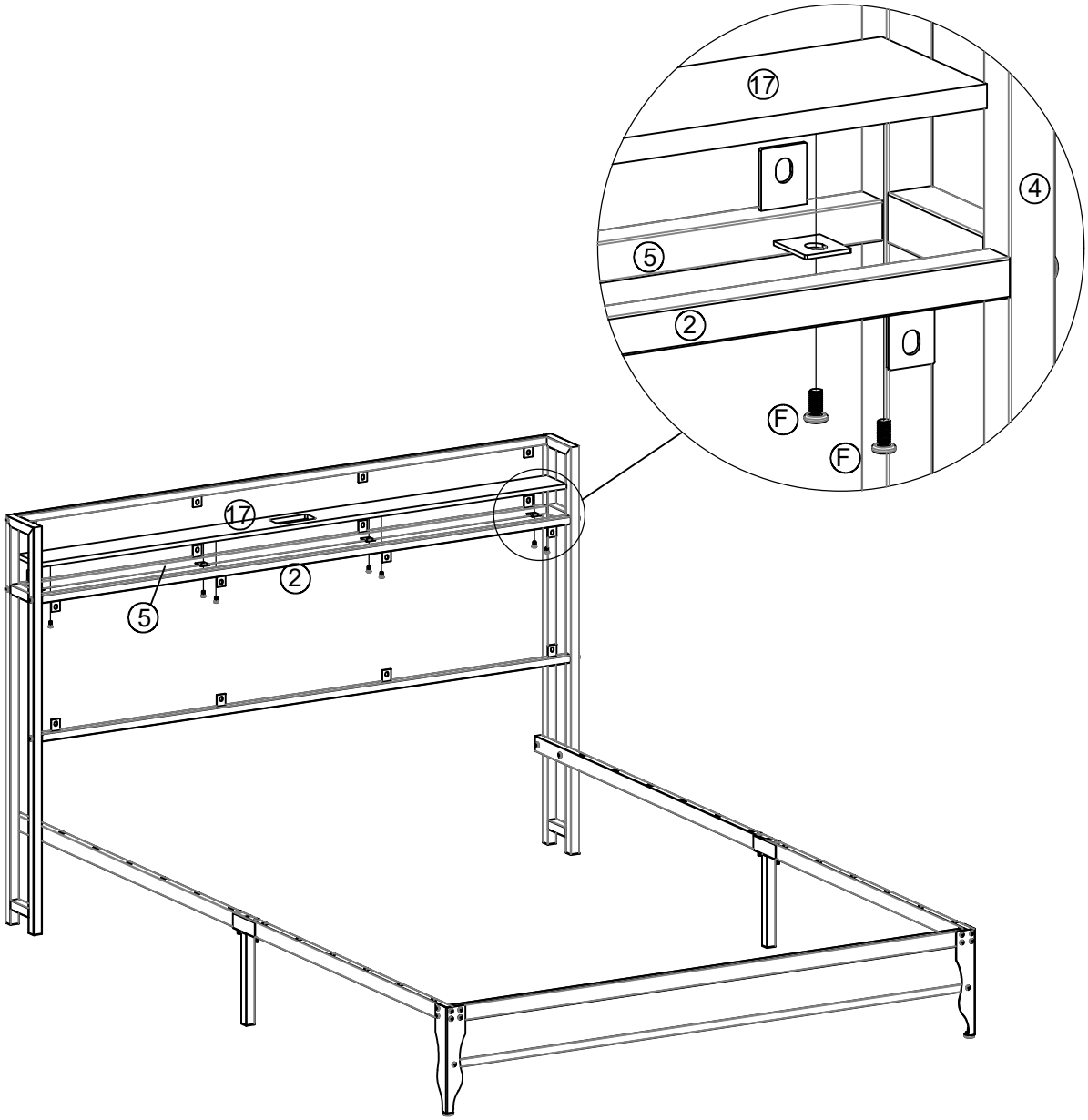
# Step:3

	<b>B</b> X 4PCS
	<b>F</b> X 6PCS
	<b>G</b> X 14PCS





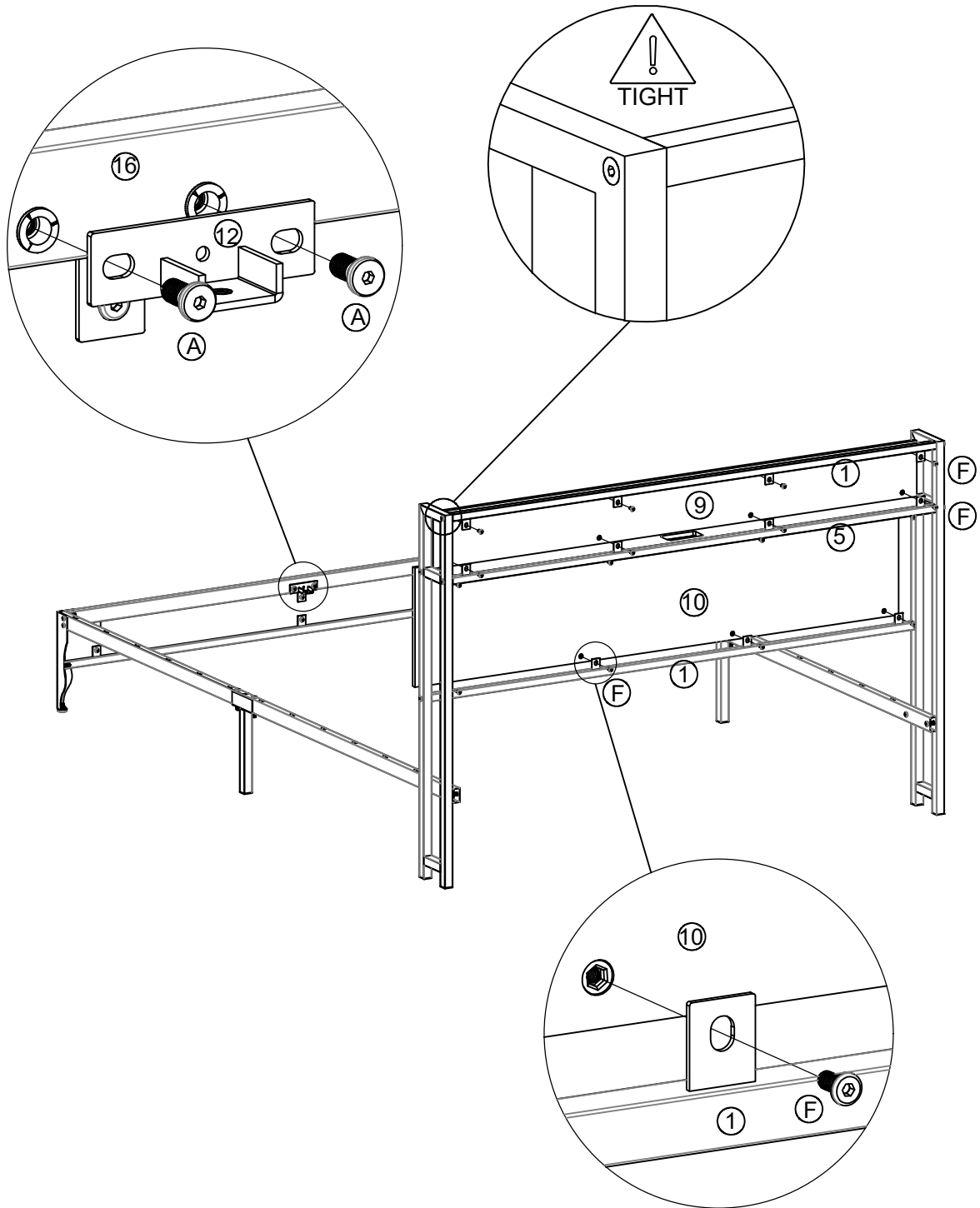
Step:4

  X 8PCS


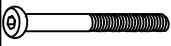



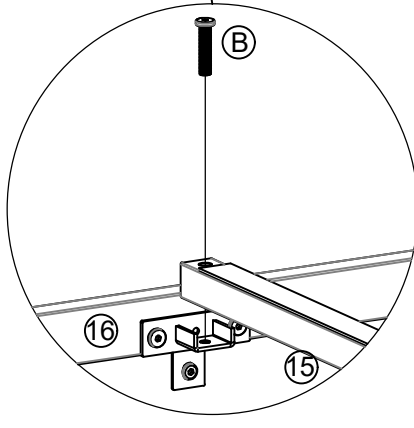
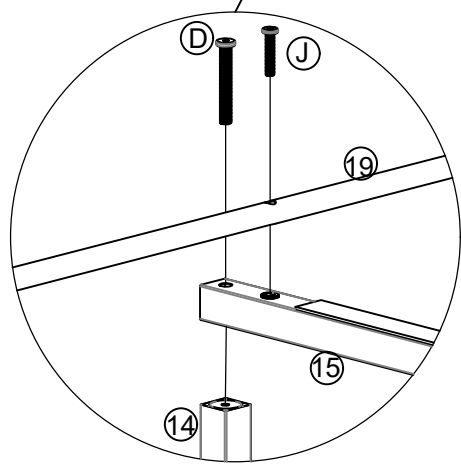
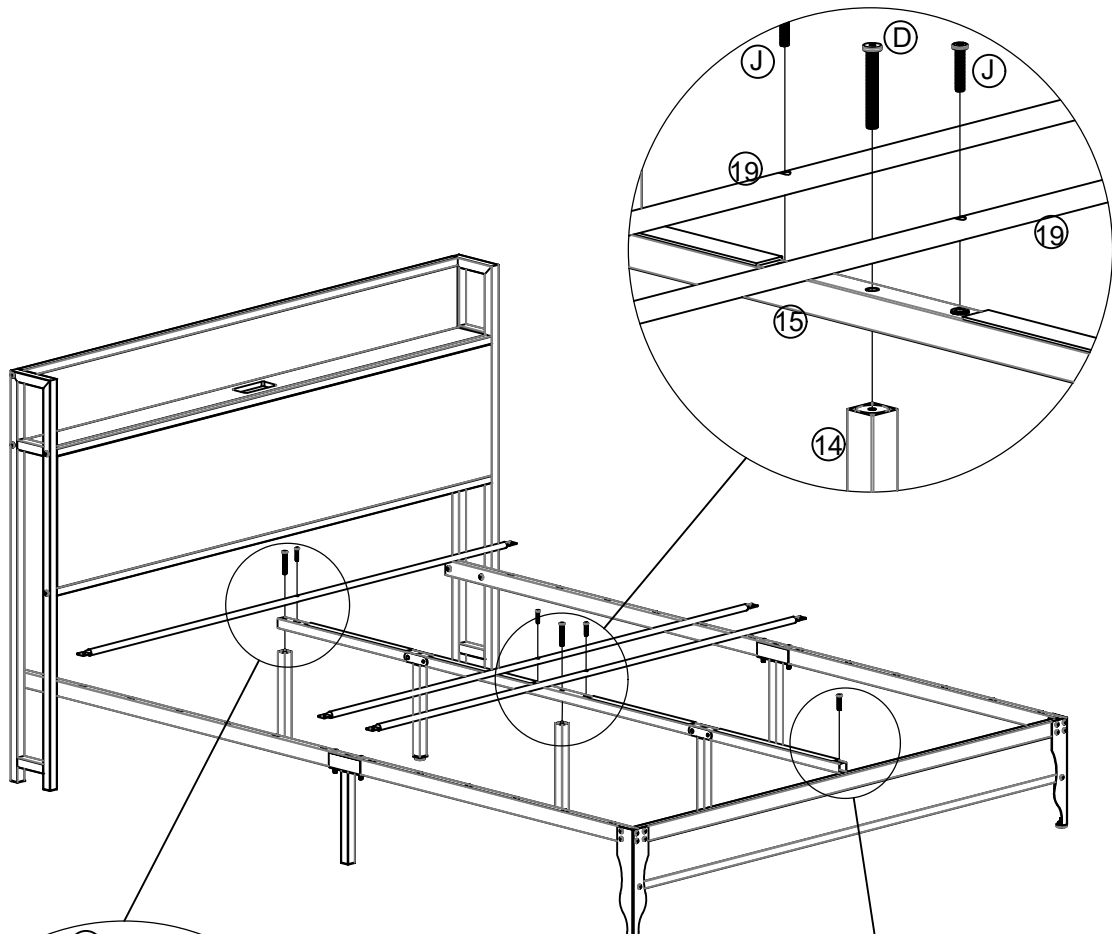
# Step:5

-  (A) X 2PCS
-  (F) X 16PCS

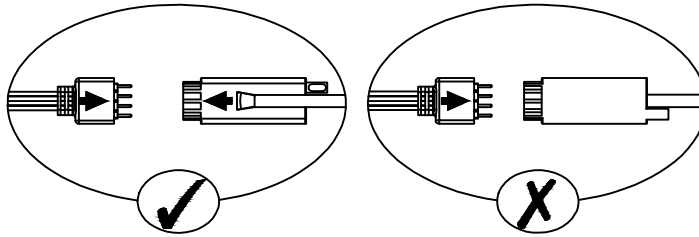



# Step:6

	ⓑ X 1PC
	ⓓ X 2PCS
	ⓙ X 3PCS



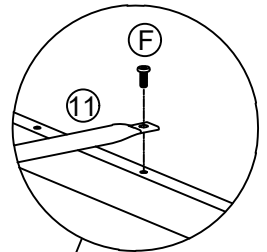
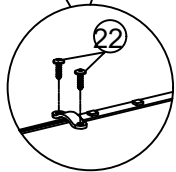
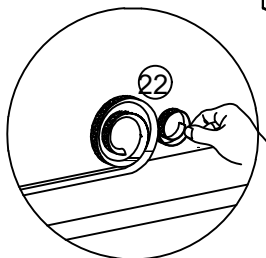
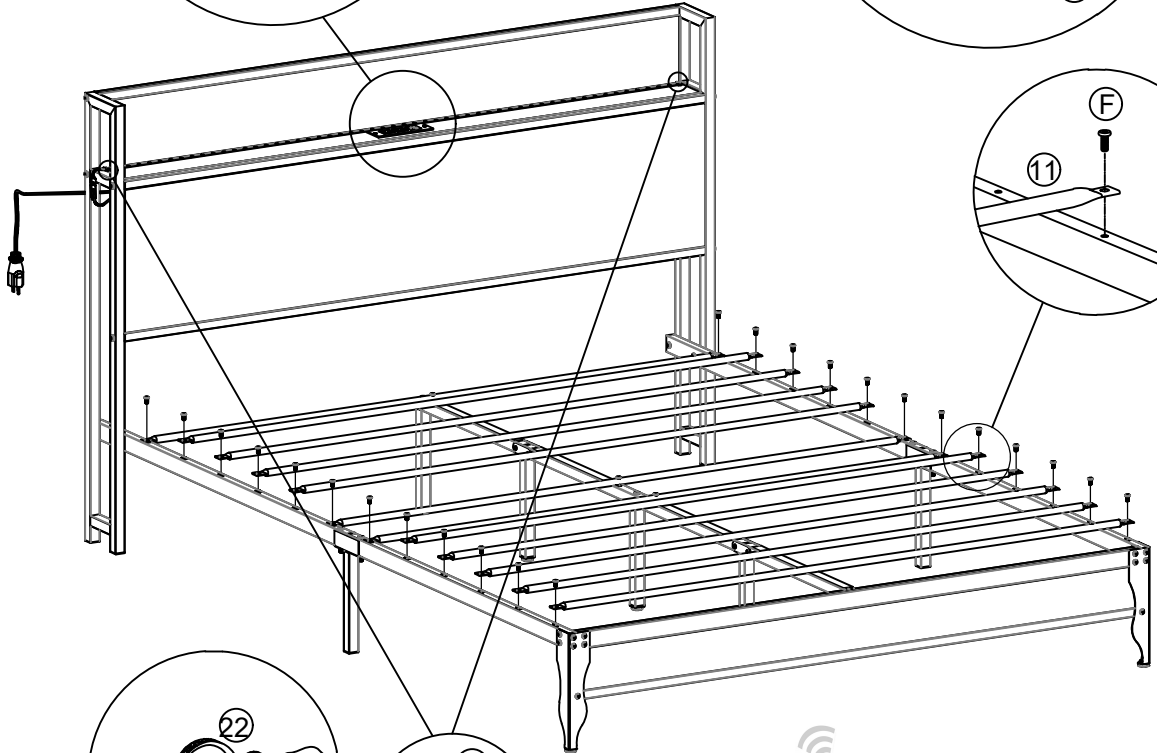
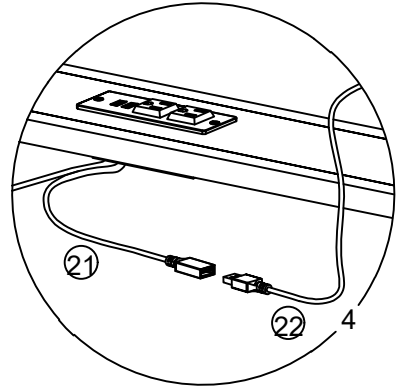
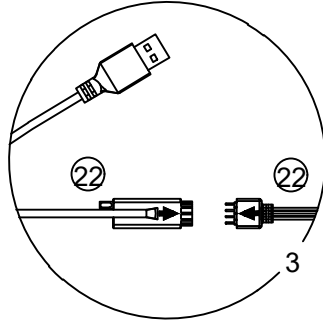
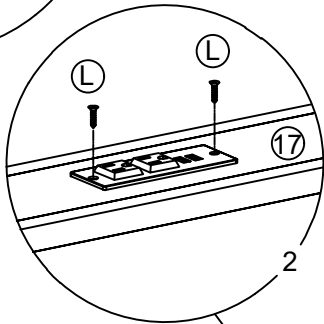
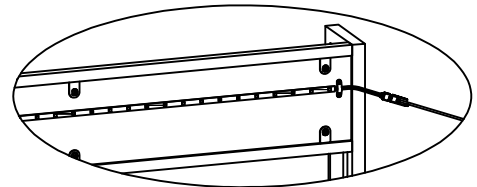
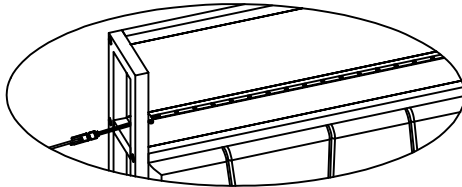
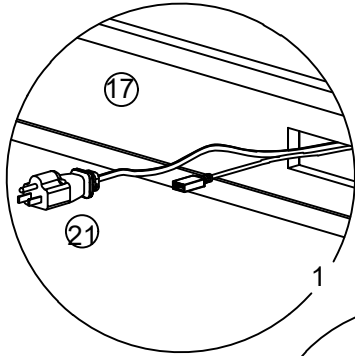
Step:7



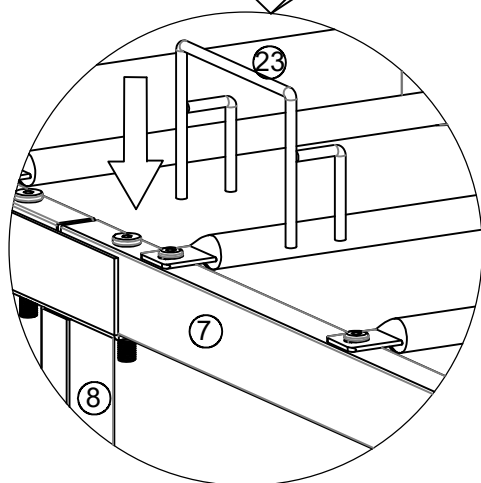
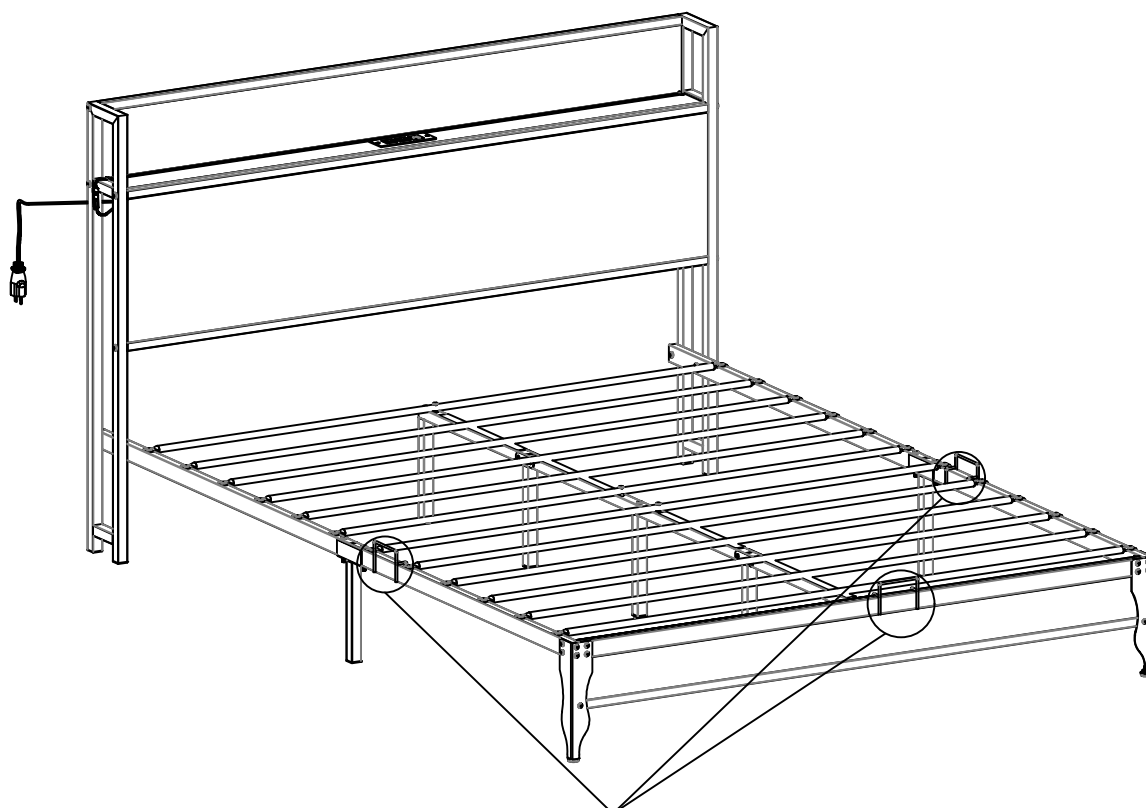
	F X 24PCS
	L X 2PCS

LED Option 1:

LED Option 2:



# Step:8



# LotusLantern APP Manual

## 1. Software Overview

### 1.1 Overview

LotusLantern is a mobile APP to control LED strip by both Apple and Android phones.

The traditional control ways like infrared, 433MHz, 2.4GHz and others old wired ways will be replaced by mobile phone control way with convenient, powerful and scalable features.

Through this mobile APP, you can not only control the color, brightness and color temperature of the LED strips but also set up all kinds of fancy flash mode; Also this APP can change the light of the LED strip according to the rhythm of the music. This APP can set and control several LED strips through Bluetooth and the operation is very simple, easy to learn and easy to use.

### 1.2 Features

- Adjust color LED strips with 60,000 colors to change color and brightness and adjust monochrome LED strips to change brightness and color temperature
- Play music or turn on a sound playback device, you can let the light change the color and brightness with the rhythm of music, the music rhythm beautiful
- Inside multiple setting mode for color change and control LED strips without mobile
- Long distance control with omni-directional antenna, and many-to-many group control mode
- Once the connection is successful, connect automatically next time

## 1.3 Performance

LotusLantern APP is easy for use as well as great compatible for all kinds of smart phones; After the actual test of hundreds of mobile phones verification, the compatibility is above 95% of mobile phones in the market. APP is small and convenient, it consumes less system resources, so the requirements of the mobile configuration are low. Control delay is small, the operation feel good, light control is smooth with people's visual sense.

## 2. Operating Environment

This APP program requires phones of system above Android 4.3 and iOS 8.0. Mobile phone configuration is not limited.

## 3. Instructions

Note: Android version and iOS version download and use the same method, here in the Android version as an example.

### 3.1 APP Download

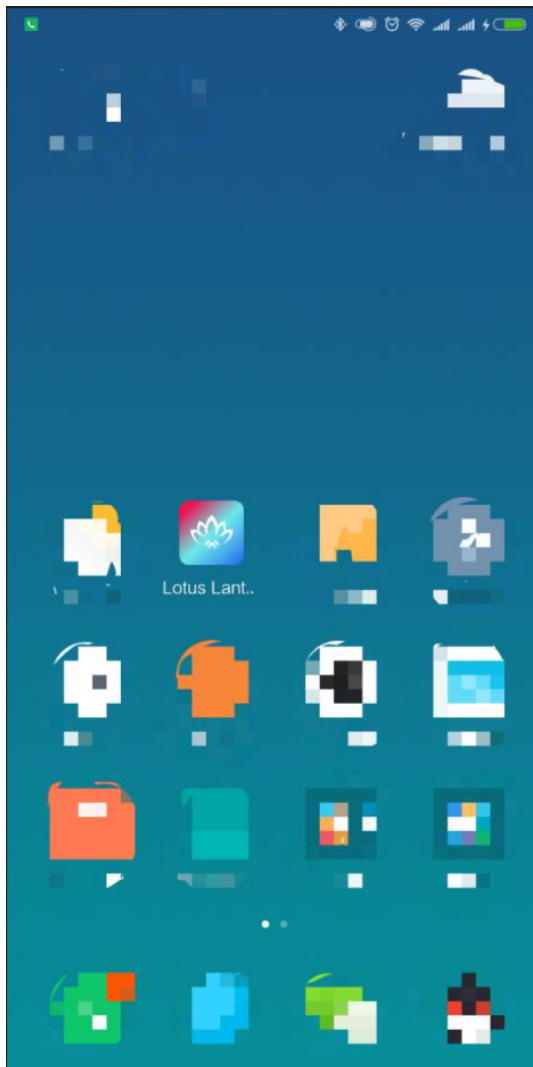
- Scan the QR code

iOS and Android systems can download the "LotusLantern" APP by scanning the QR code. Open the browser or other tools with "Scan QR code" function, scan the "LotusLantern" QR code as below:

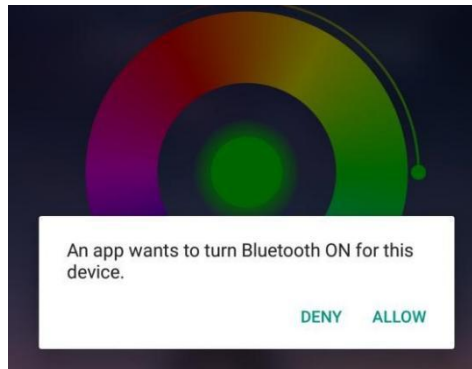


### 3.2 App Operation

- (1) Click on the LotusLantern APP icon, enter the APP page:



(2) After entering the APP interface, if Bluetooth is not enabled, "an application wants to enable the Bluetooth function of this device." Click [Allow]



(3) switch to color and brightness interface:

A screenshot of a mobile application interface for controlling a smart lamp. The interface is dark-themed. At the top left is a hamburger menu icon. At the top center is a vertical double-headed arrow icon. At the top right is a gear icon for settings. Below the top icons is a color wheel. To the right of the color wheel is a toggle switch. Below the color wheel is a section for RGB values: R 98, G 193, B 111. Below the RGB values is a brightness slider. Below the slider is a "Preset" section with several color swatches, including one labeled "CCT" and one labeled "W". Below the "Preset" section is a "Classic" section with six color swatches. At the bottom is a navigation bar with five icons: "Adjust", "Style", "Music", "Online", and "Mic".

Click to show the lamp list

Switch the color wheel

Click to display setting view

Lamp switch button

Adjust the color

Display the RGB value  
Click to manual adjustment view

Click square icon to adjust the color

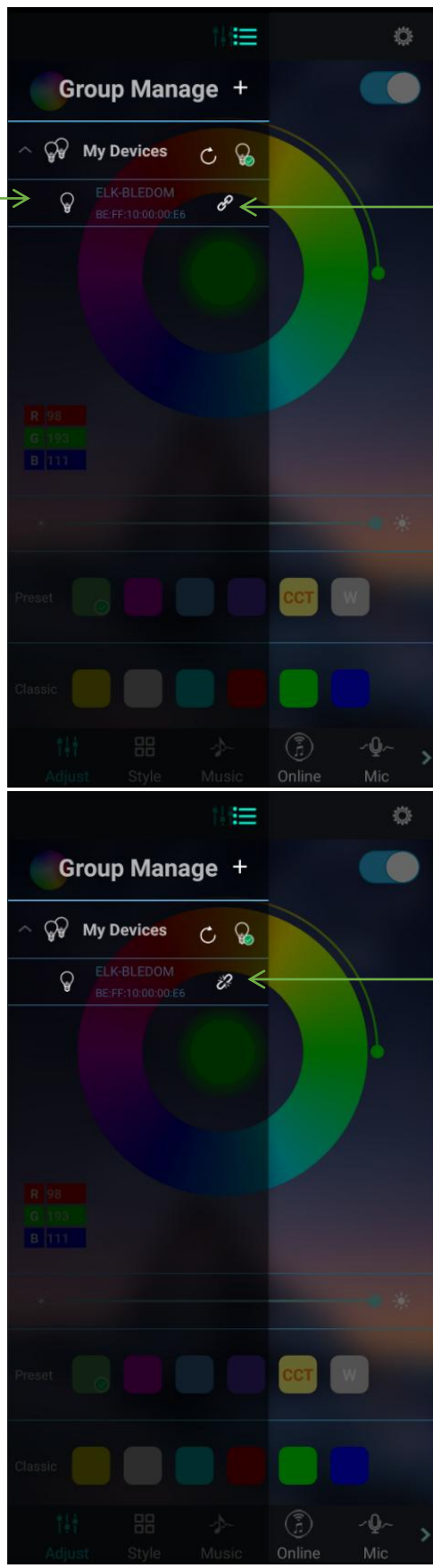
Click to shift the interface

(4) click to show the lamp list, view lamp list:

Bluetooth auto connect after search for devices

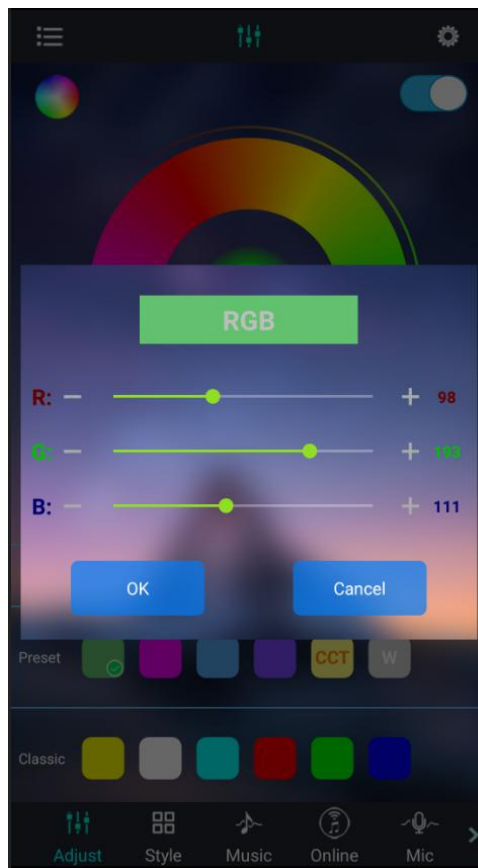
Lamp list

Status of device connection

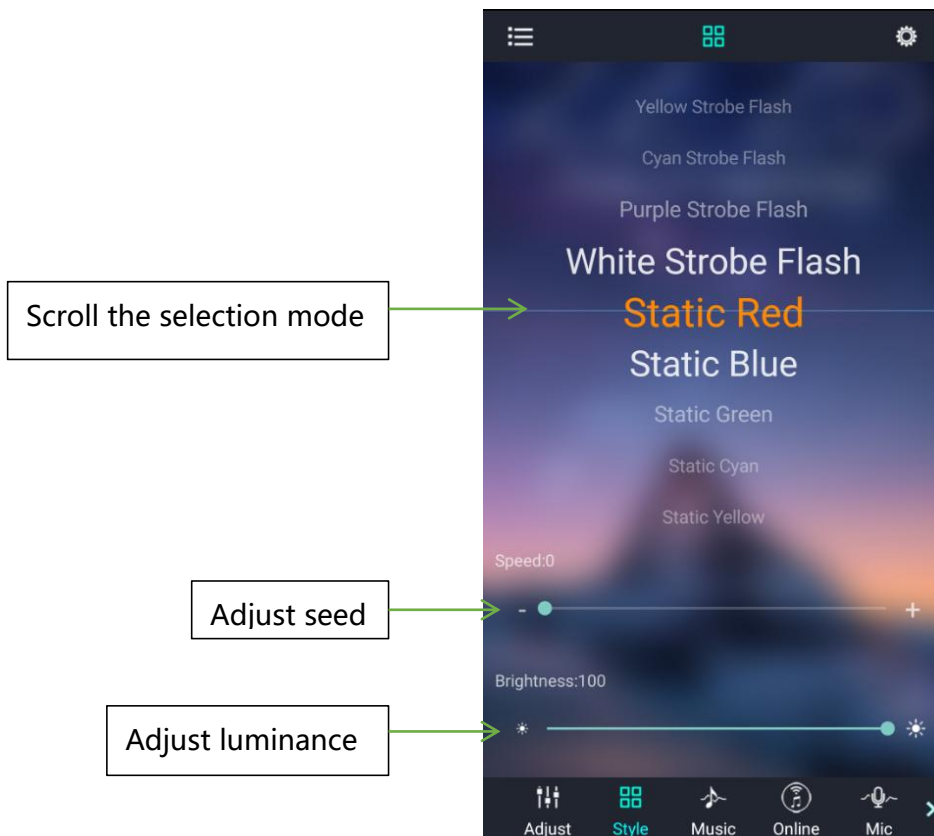


Status of device connection

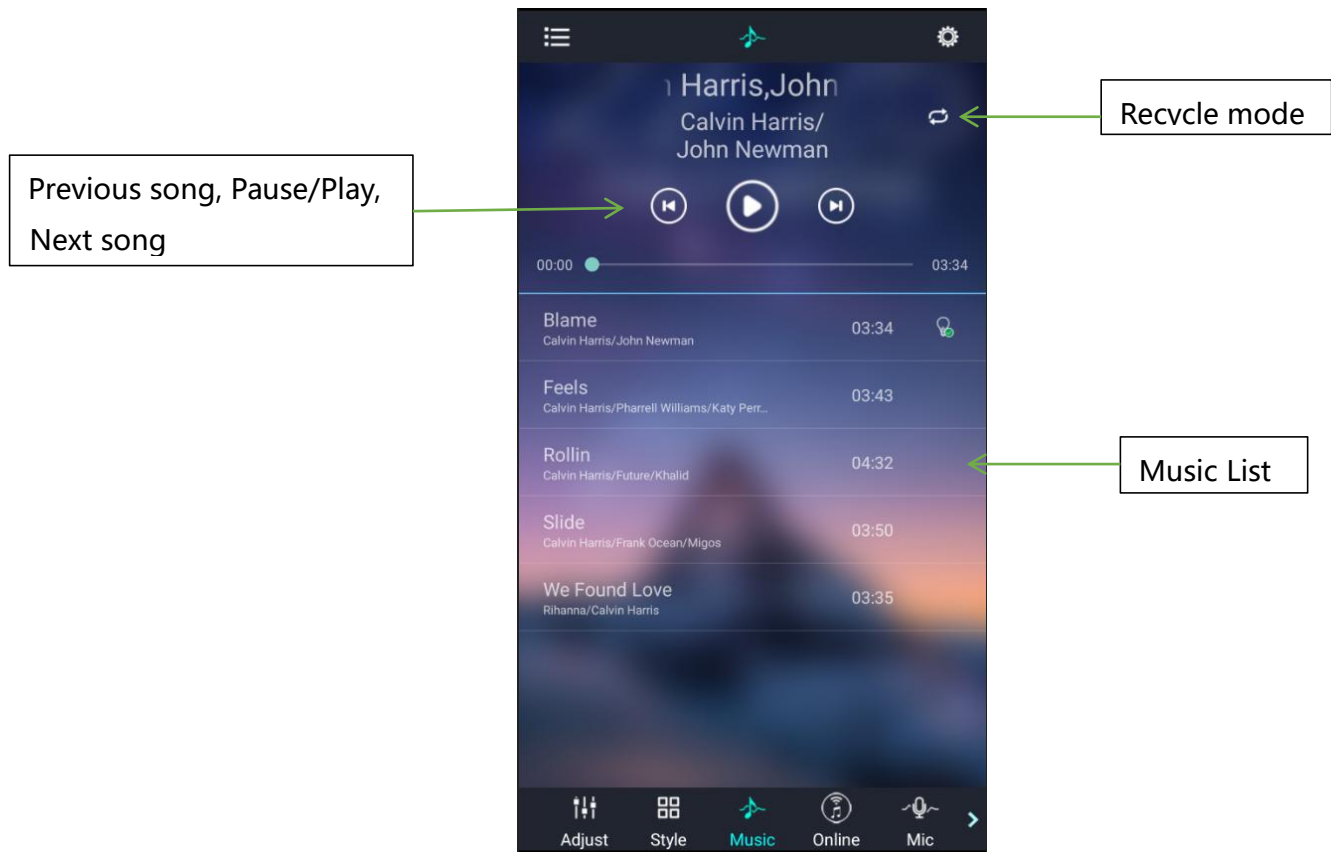
(5) Click to RGB manual adjustment view:



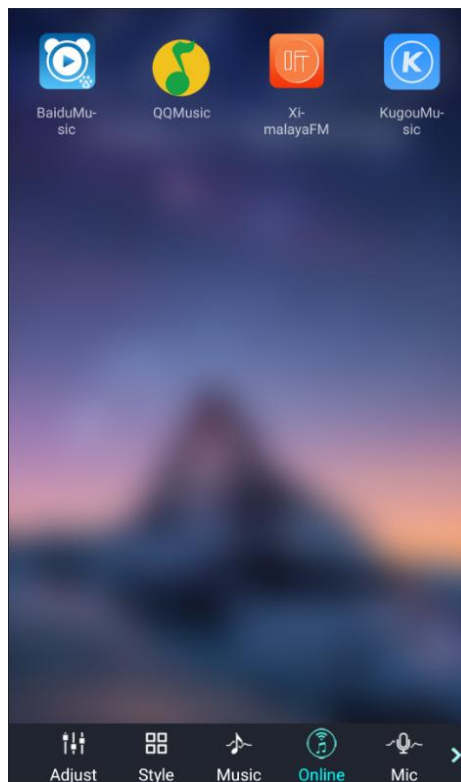
(6) switch to the mode interface:



(7) switch to the music rhythm interface:

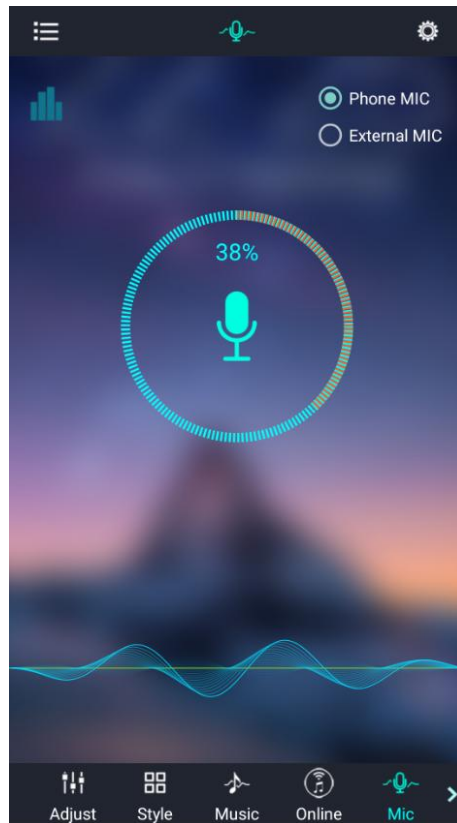


(8) Switch to the online music interface:



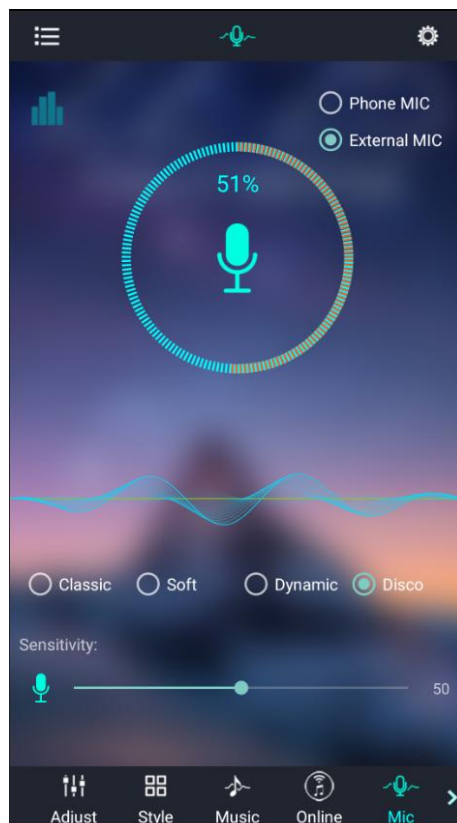
(9) Switch to the microphone rhythm interface:

Music rhythm through cell phone microphone



Switch phone microphone and external microphone

Music rhythm through the microphone on the product



Switch phone microphone and external microphone

4-style rhythm

Change the sensitivity of MIC to match the sound

(10) Switch to the schedule interface:

The screenshot shows the 'Schedule' interface with two main sections: 'Schedule On' and 'Schedule Off'. Each section has a toggle switch, a 'Time' field set to '00:00', and a 'Repeat' row with seven day buttons (MO, TU, WE, TH, FR, SA, SU). Callouts on the left point to the 'Time' fields, and callouts on the right point to the toggle switches and 'Repeat' rows. The bottom navigation bar includes 'Style', 'Music', 'Online', 'Mic', and 'Schedule'.

Set the time of Light-On

Set the time of Light-Off

Enable or disable the Light-On function

Repeat setting  
No selection for once Light-On

Enable or disable the Light-Off function

Repeat setting  
No selection for once Light-Off

(11) Switch to the modify pin sequence interface:

The screenshot shows the 'Modify Pin Sequence' interface. At the top is a 'Modify Pin Sequence' title. Below it is a 3D model of a pin header with a hand icon pointing to one of the pins. Below the pin header is a grid of color selection buttons. The first column has buttons labeled 'R', 'G', and 'B'. The second and third columns have buttons with icons of a pin. The grid is flanked by 'V+' on the left and 'W' on the right. A red box highlights the 'R', 'G', and 'B' buttons. Callouts on the left point to a save icon and the 'R', 'G', 'B' buttons.

Click to save the new assignment

Change the real color of this line