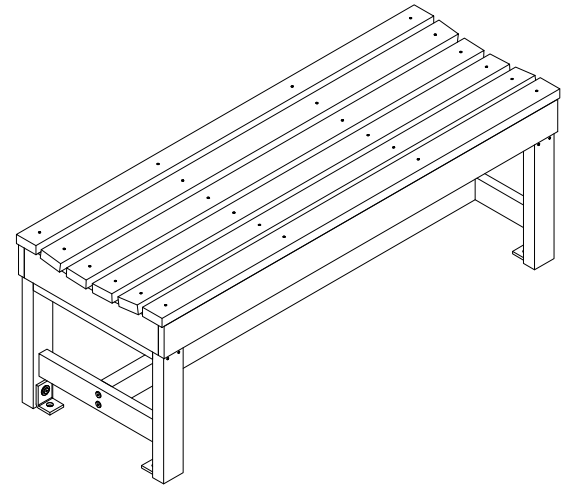


# Picnic Bench 4ft

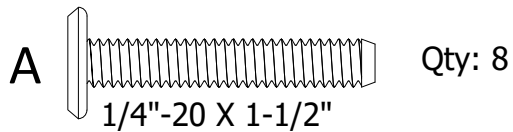
## Assembly Guide



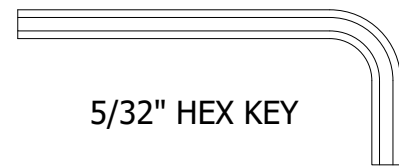
### IMPORTANT!

DO NOT fully tighten the bolts until all bolts are started. Once all bolts are inserted, go back & tighten all the bolts.

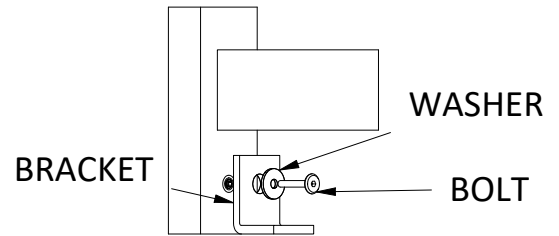
### HARDWARE INCLUDED



### TOOLS INCLUDED



### Included hardware for Optimal Surface Mounting - 4X

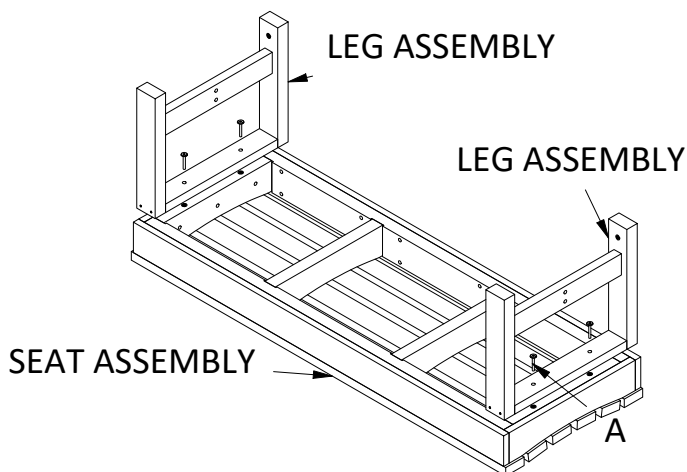


**Note:** Ground Anchors not included

**1)** Attach the Leg Assemblies to the Seat Assembly using (4) "A" Bolts as shown in **FIGURE 1**.

**2)** Attach the Brace to the Leg Assemblies using (4) "A" Bolts as shown in **FIGURE 2**.

**FIGURE 1:**



**FIGURE 2:**

