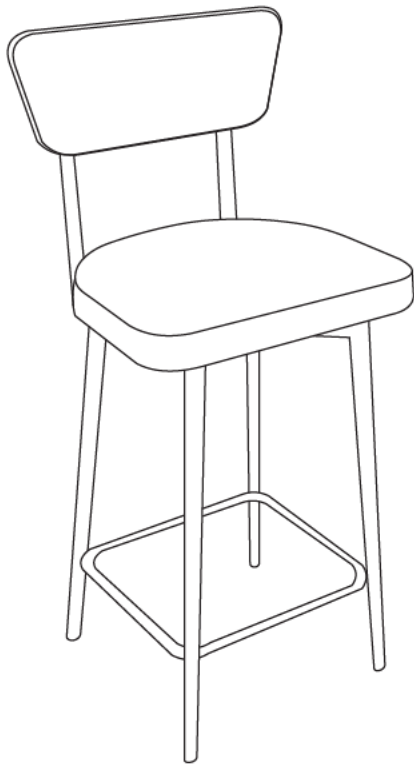









# ASSEMBLY INSTRUCTION







## Counter/Bar stools



## Component List

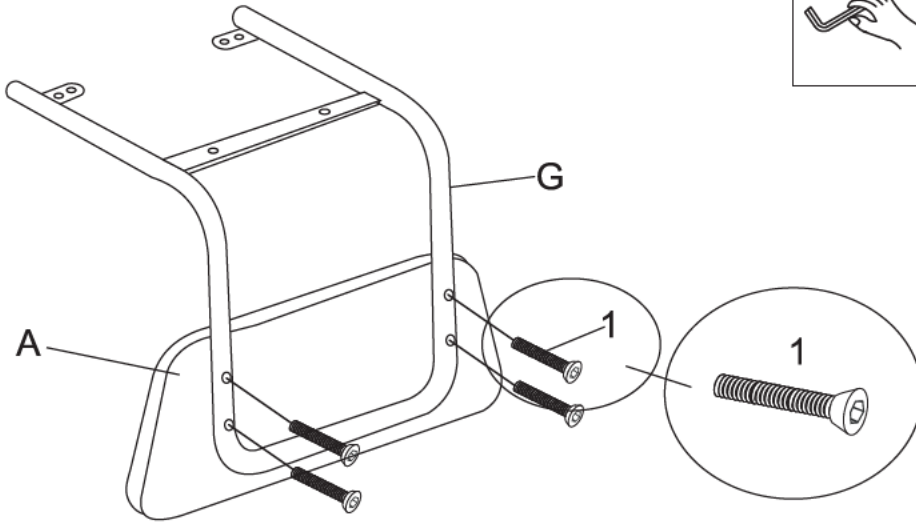
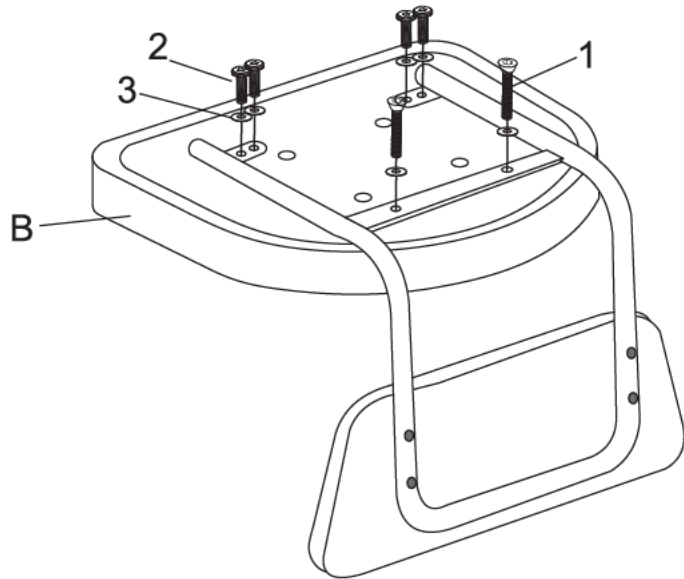
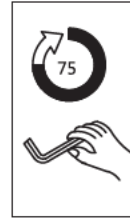
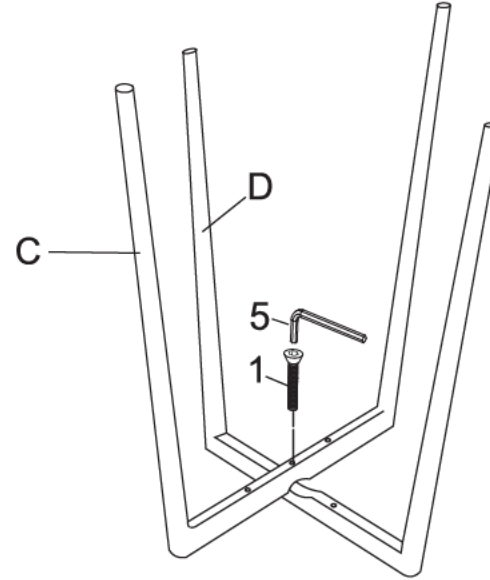
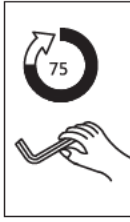
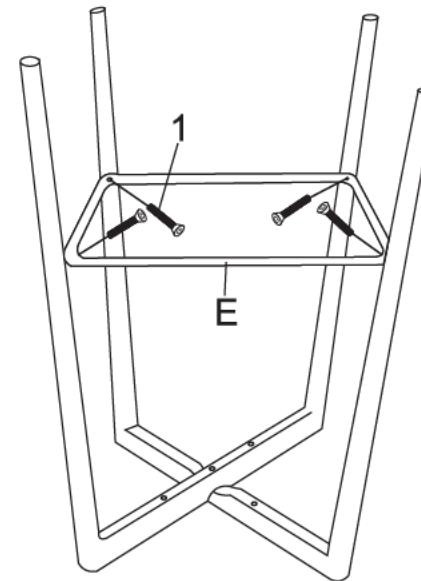
LABEL		DESCRIPTION	QTY
A		Back	1
B		Seat	1
C		Leg	1
D		Leg	1
E		Pedal	1
F		Turntable	1
G		Connection	1

## Hardware List

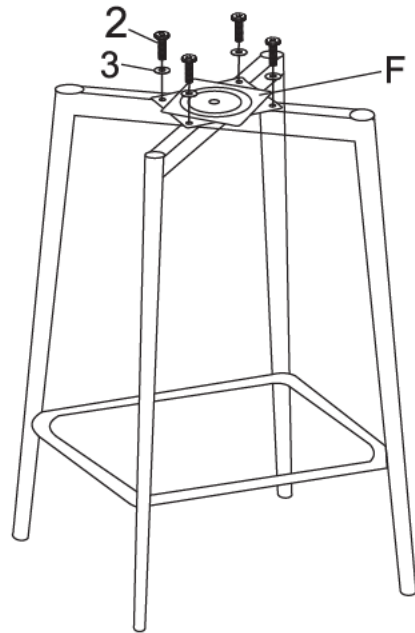
LABEL		DESCRIPTION	QTY
1		Bolts M6x28mm	16
2		Bolts M6x20mm	9
3		Washer Ø6x16x1.5mm	15
4		Washer	5
5		Allenkey	1
6		Fool	5

**1**

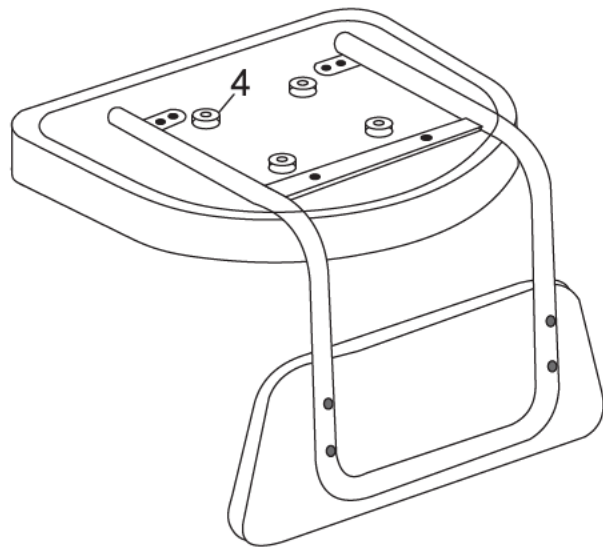
Align the four screws with four holes in the backrest and tighten them in to a depth of 50%.  
Finally, tighten each screw sequentially to 100%.

**2****3****4**

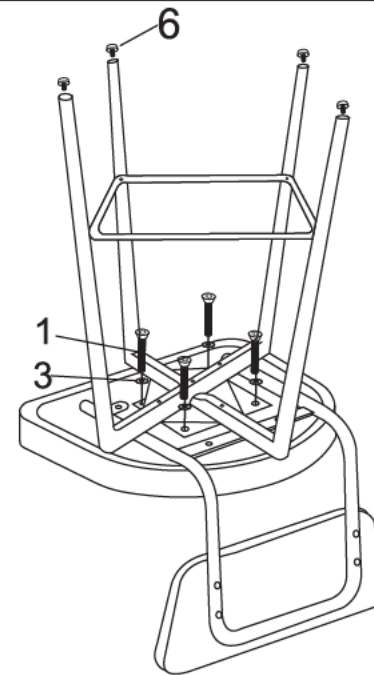
5



6



7



8

Ensure that each screw is tightened

