

WONLINE

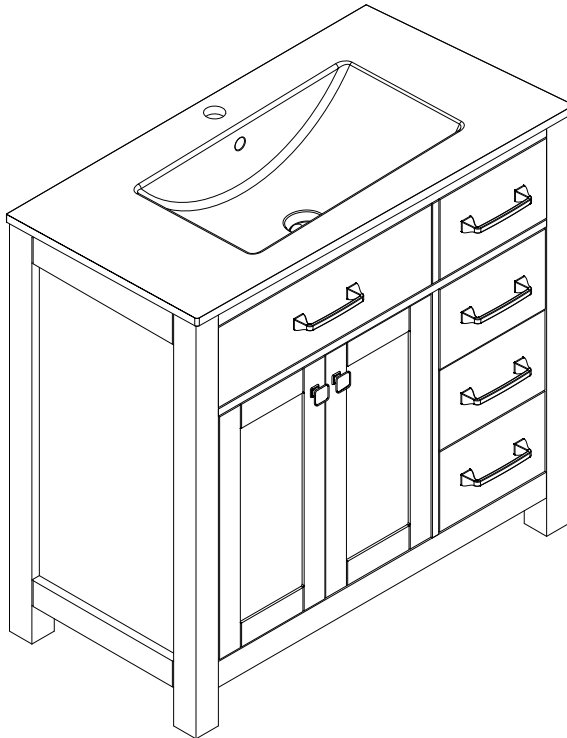
Model: USBR4619/USBR4620

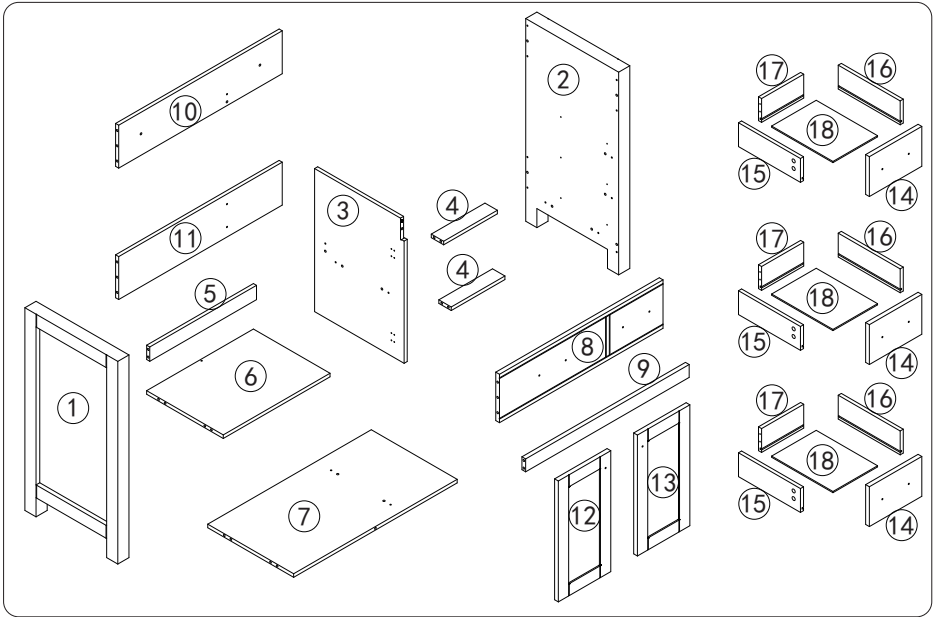
After-sales Email: **nbepeach@hotmail.com**

Assembly video Link: **www.bestuhom.com**

Customer Service Phone Number: **678-926-3988**

Thank you for purchasing Wonline product. All Wonline products are carefully engineered and factory tested for durability under normal conditions. We develop our products for simple installation. Follow our instruction to help you easily install your Wonline Vanity Set.

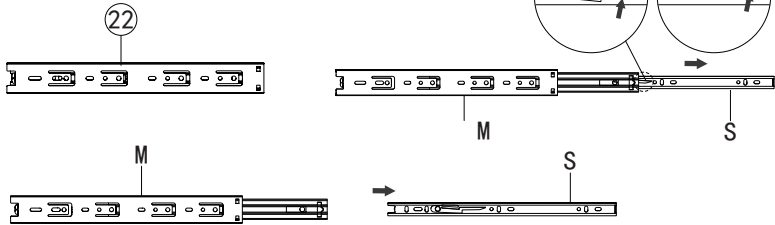
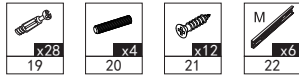




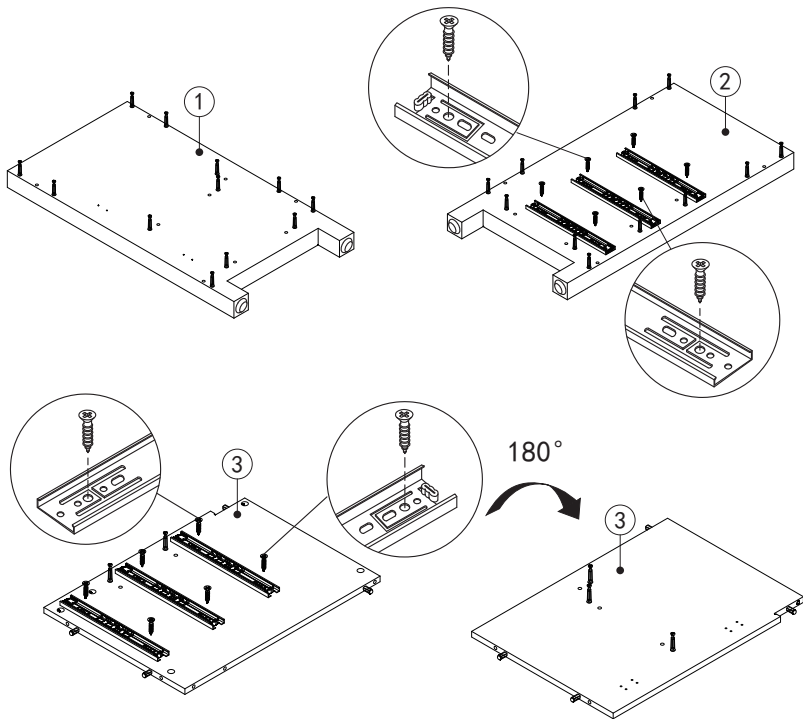
No.	Description	QTY
1	Left Side Board	1
2	Right Side Board	1
3	Connect board 3	1
4	Connect board 4	2
5	Connect board 5	1
6	Shelf	1
7	Bottom board	1
8	Connect board 8	1
9	Connect board 9	1
10	Connect board 10	1
11	Connect board 11	1
12	Door 12	1
13	Door 13	1
14	Drawer front	3
15	Left side board for drawer	3
16	Right side board for drawer	3
17	Back board for drawer	3
18	Bottom board for drawer	3

19		Three-in-one Connector	54
20		Wood Plug	28
21		Screws ST4x14	48
22	M S	Slider	6
23		Overlay-partition Hinges	4
24		Handle1	2
		Handle2	5
		Screws M4x22	12
25		Screws ST5.5x60	2
26		Screws ST4x30 (Mirror)	2





Step 1

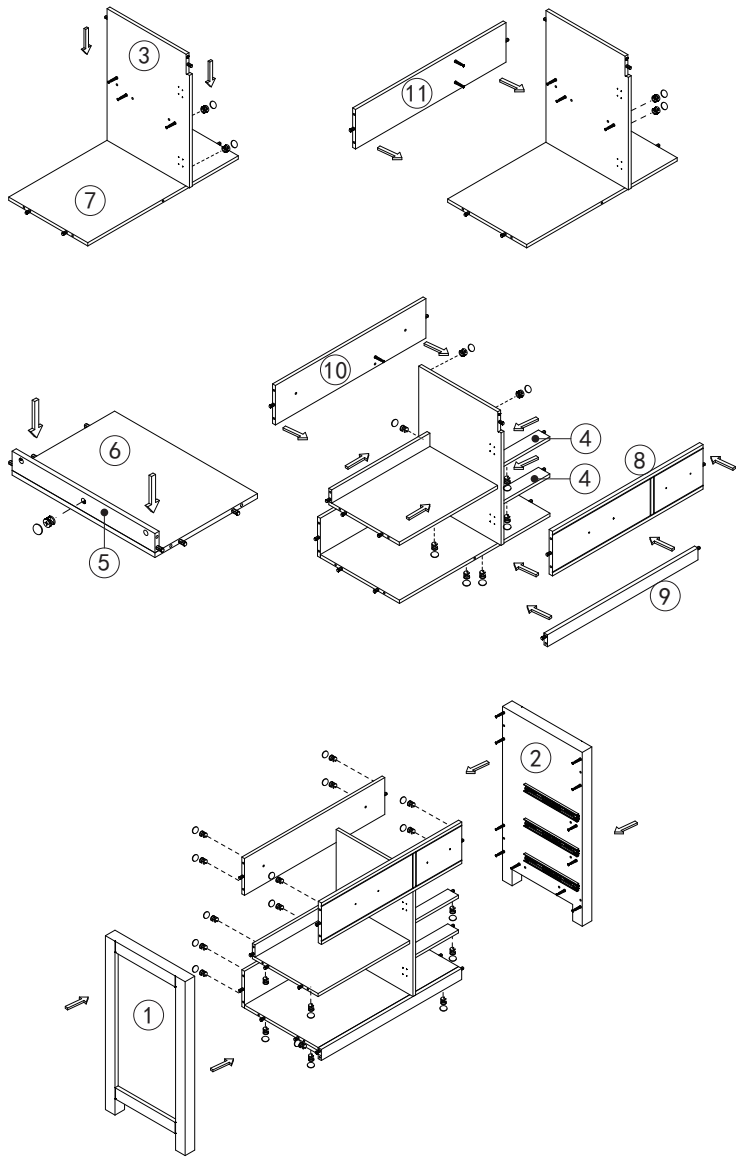


Keep pressing here, then pull out to devide the slide.

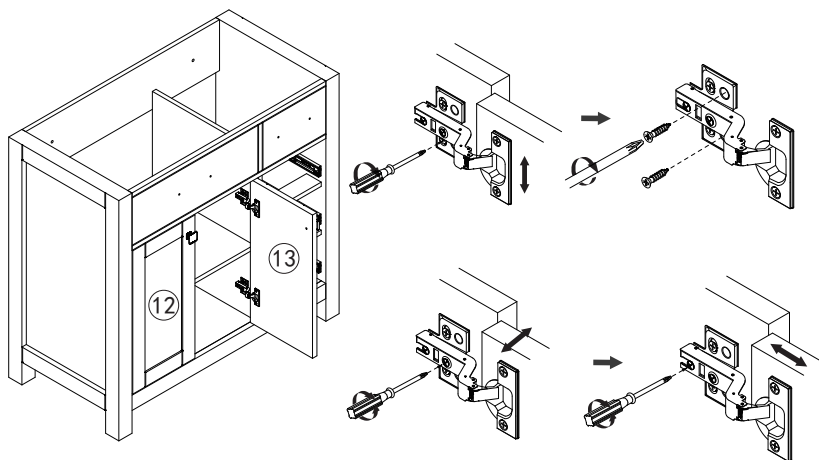
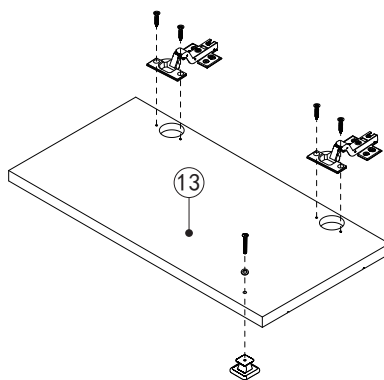
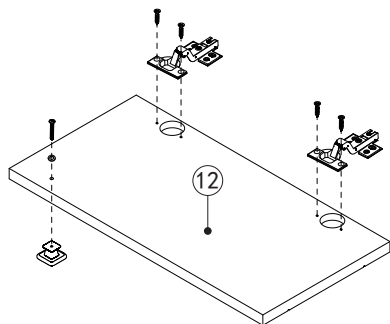
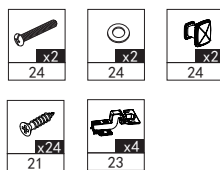


Step2

 x36 19	 x36 19	 x8 19	 x18 20
--	--	---	--

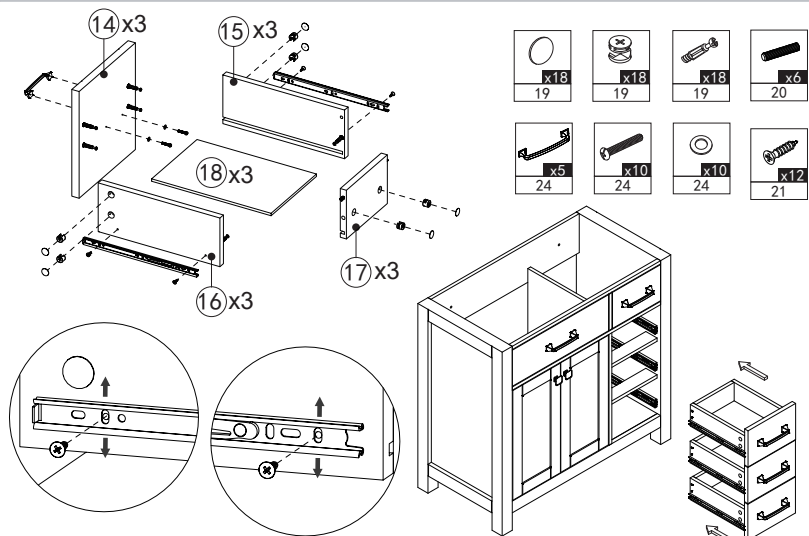


Step3



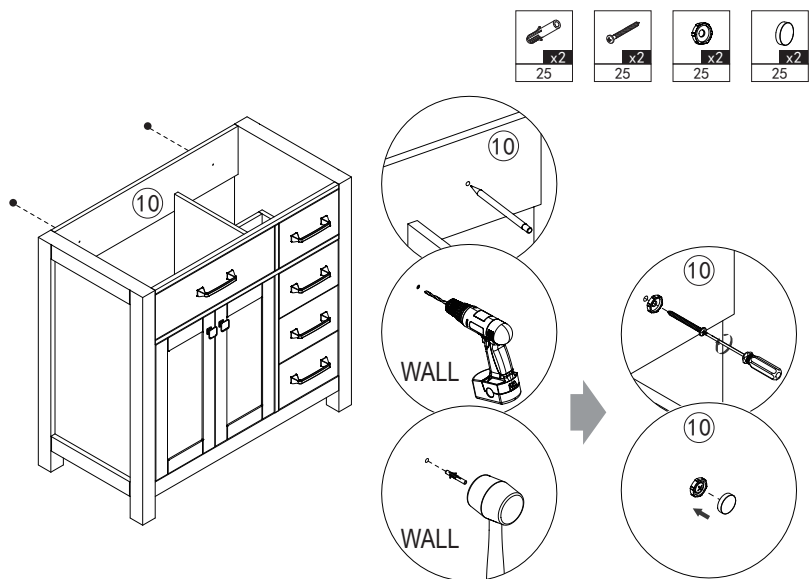
Adjust the screws as shown on the sketch map to ensure all the door gaps are in the same level.

Step4

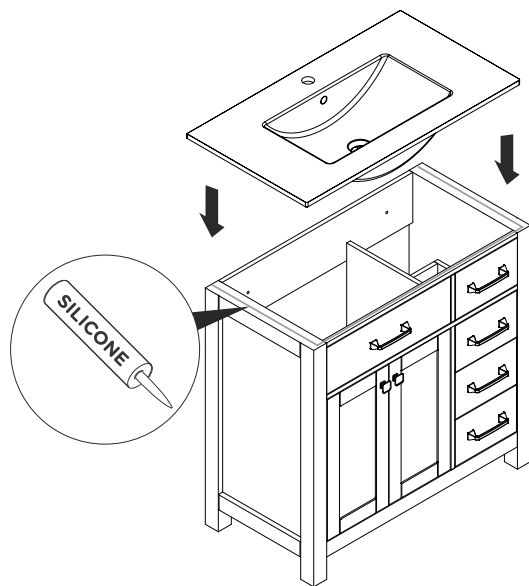


If the drawers are not in the same level, please adjust the screws in the drawer box.

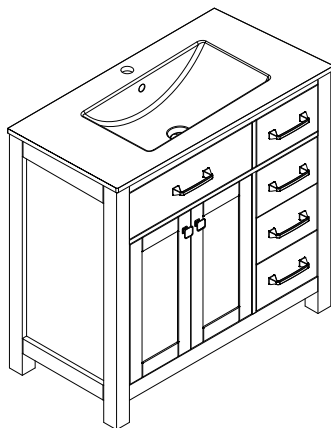
Step5



Step6



Install the basin on the cabinet with glue.



Put into use after 24 hours.