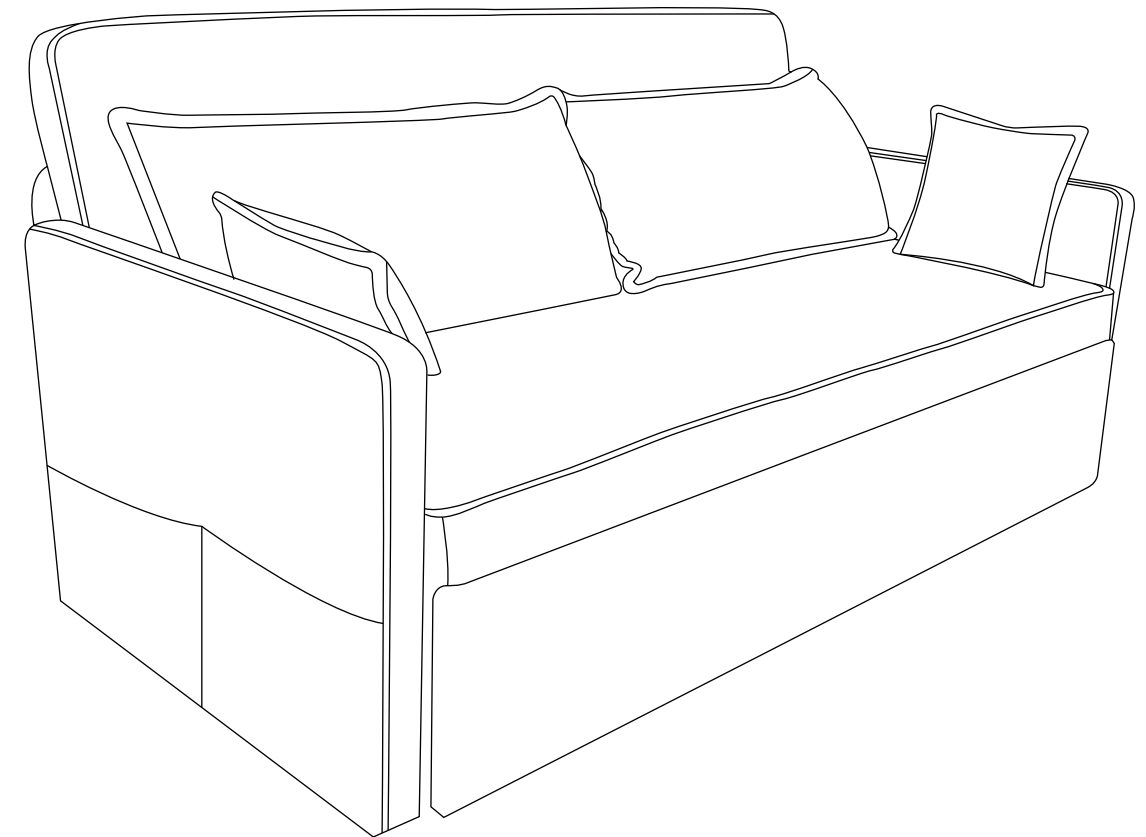


ASSEMBLY INSTRUCTION

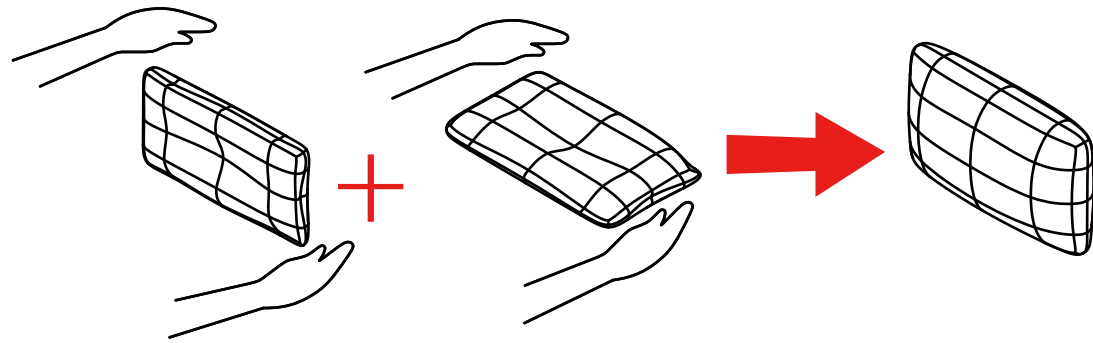


Return & Warranty policy:

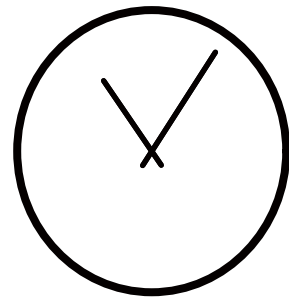
- We strive to offer the highest quality products, and we also try our best to satisfy each and every customer that orders from us with replacement parts or service as needed.
- If the item is damaged or defective , please take photos as evidence for replacements and refunds.
- Please do not return to store, contact the seller if you have any questions about the product.

Tips:

1. Due to differences of light effects, the actual color of the materials might be slightly different from the pictures.
2. Due to package compression for better shipment, the fabric may have wrinkles.
3. Please take all packages out and pat every part to make it rebound better and fluffy, so that it can restore to picture-like status.
4. Please keep children away from the plastic bags.



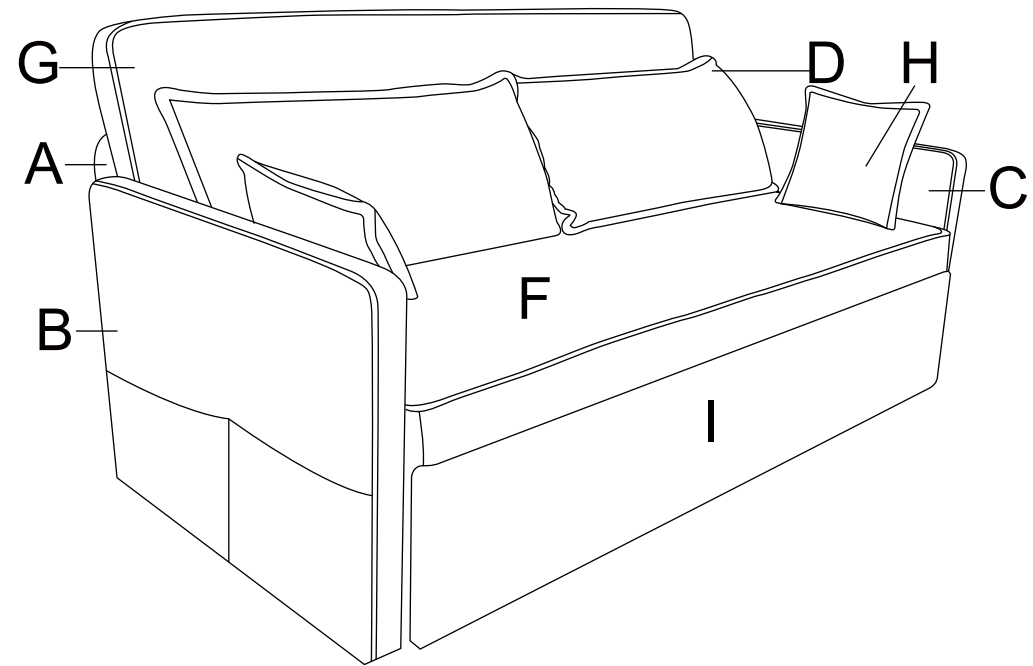
- 1.Repeatedly tap the sides and front and back to make it rebound better and fluffy.
- 2.Knead your cushion like giving your cushion a massage while allowing the air to flow through the foam.



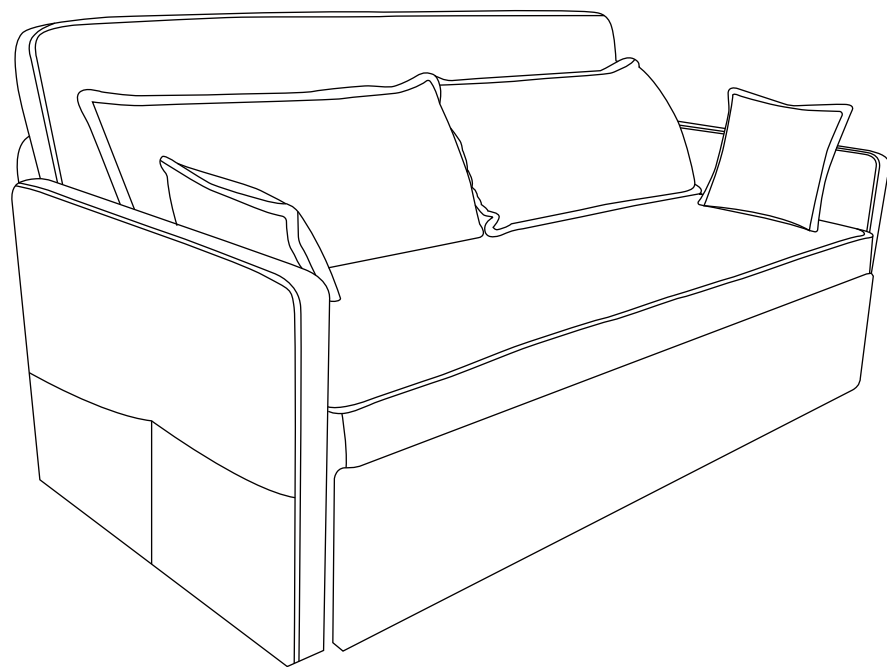
72h

It might takes up to 72 hours.

STEP11

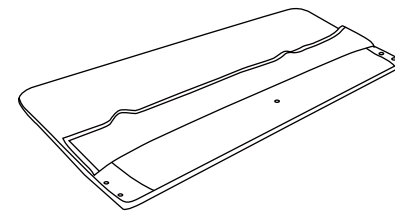


STEP12

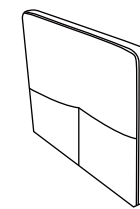


Part List

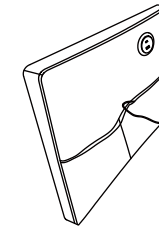
Ax1



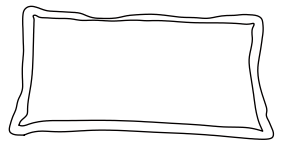
Bx1



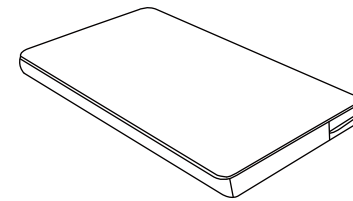
Cx1



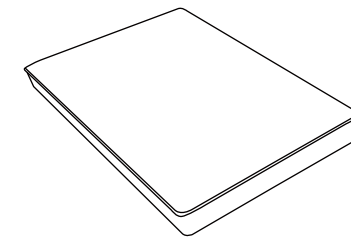
Dx2



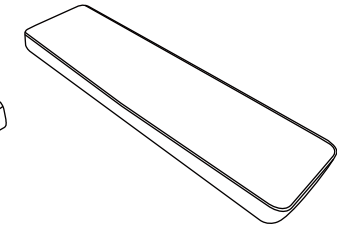
Ex1



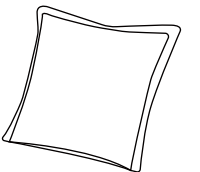
Fx1



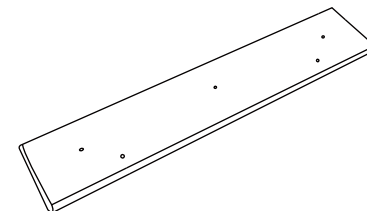
Gx1



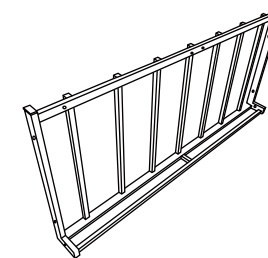
Hx2



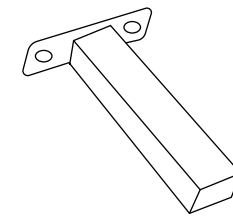
Ix1



Jx1



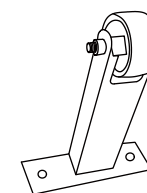
Kx1



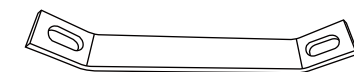
Lx1



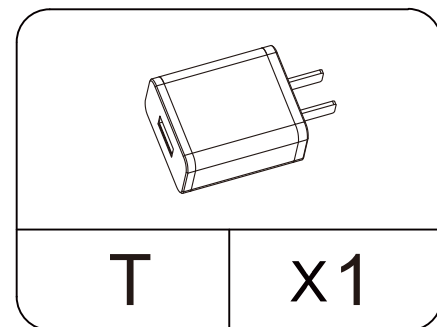
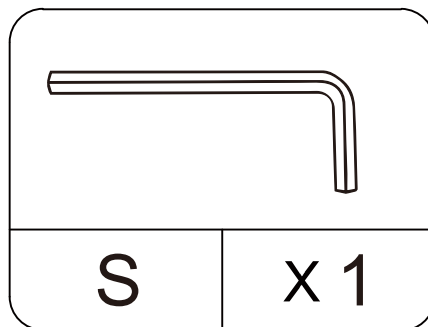
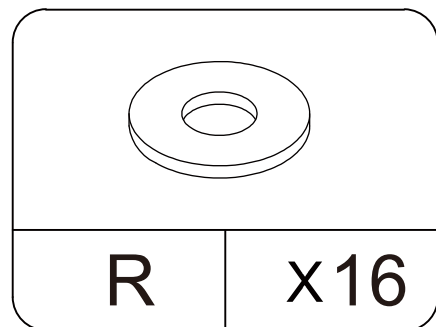
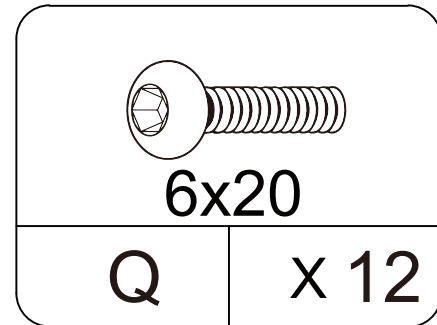
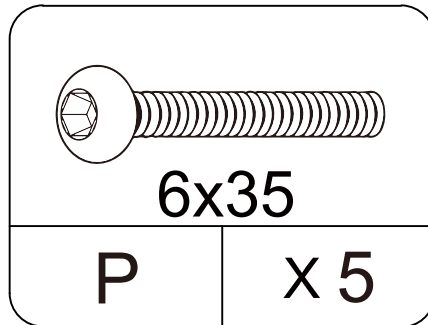
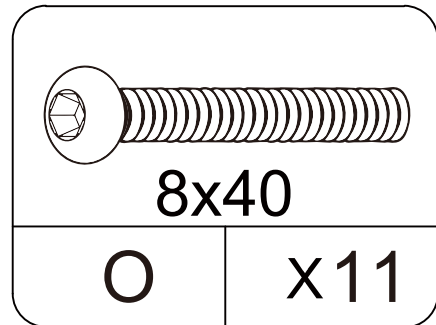
Mx3



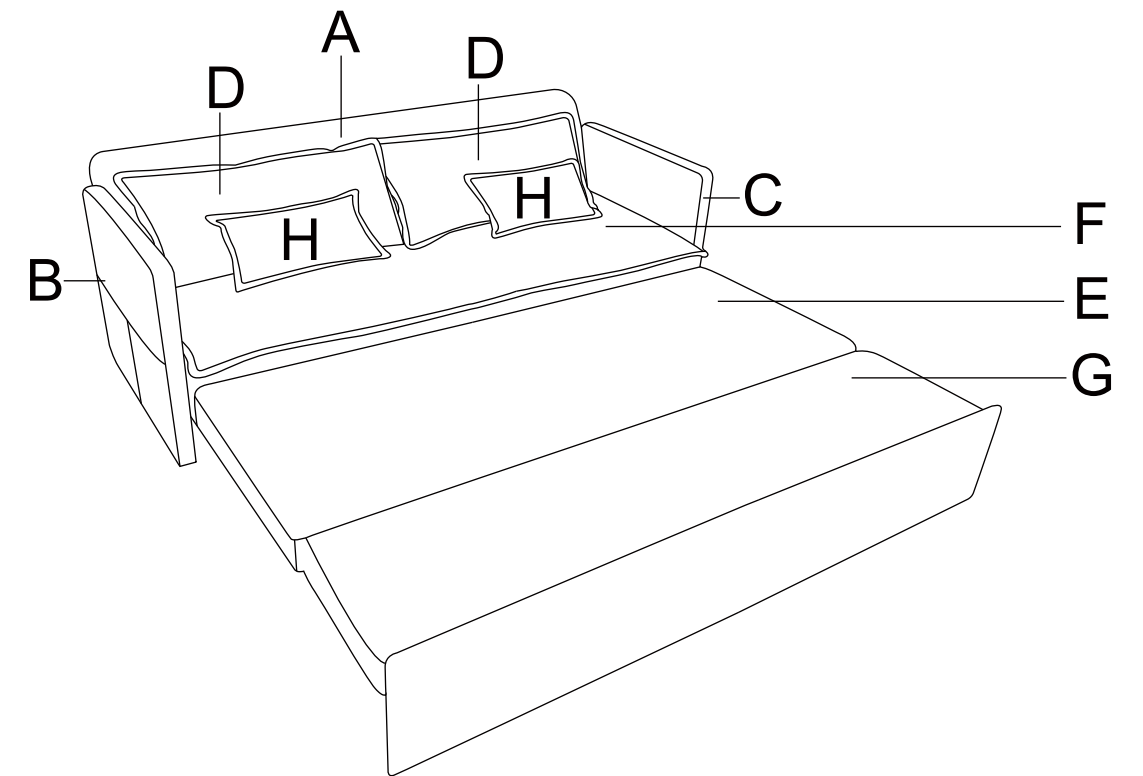
Nx2



Part List

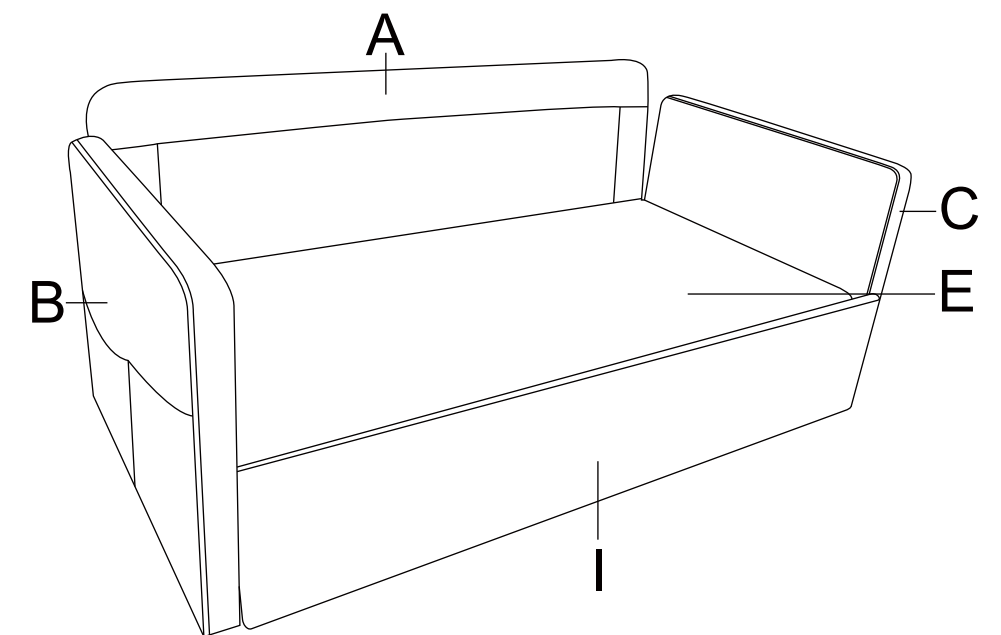


STEP9

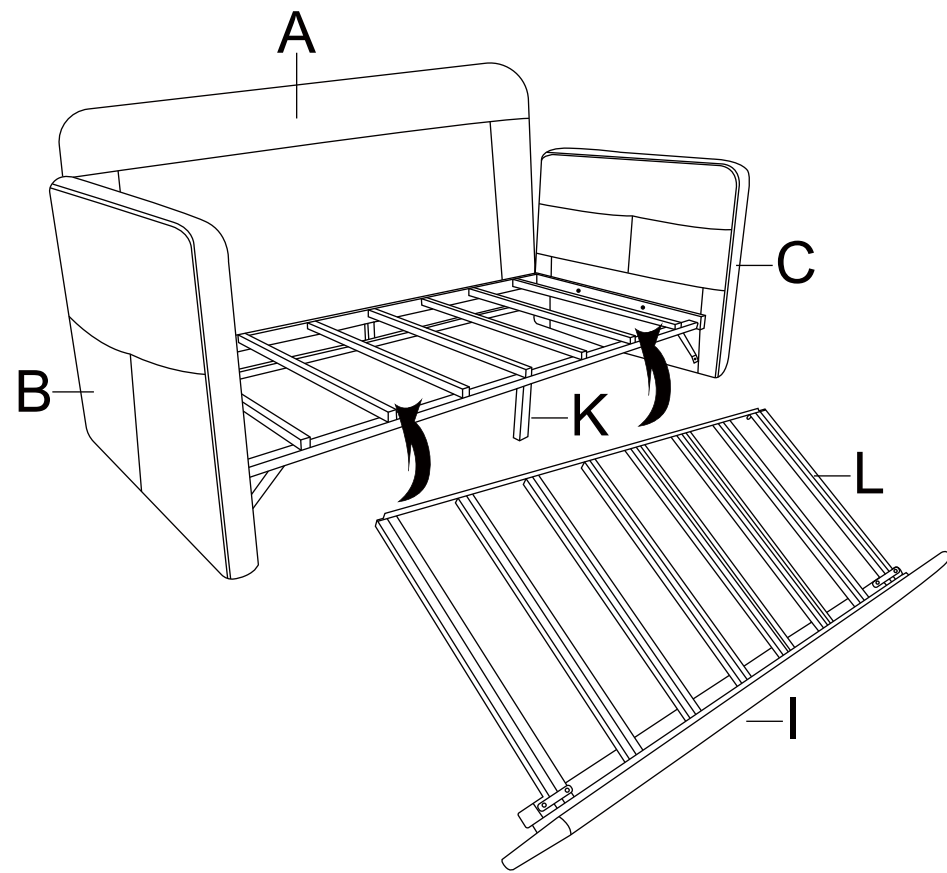


You can adjust the position of cushion E/F/G for your personal comfort.

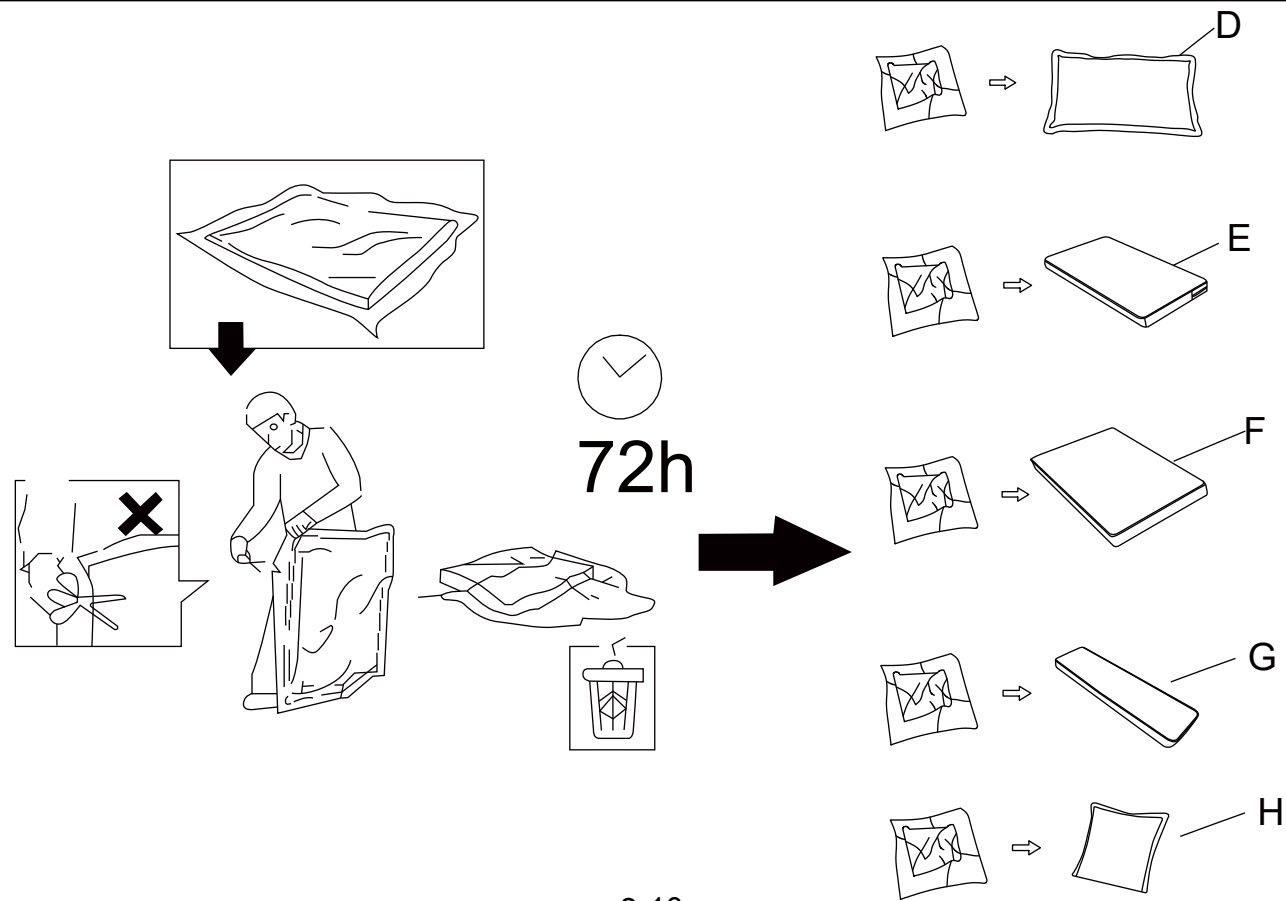
STEP10



STEP7

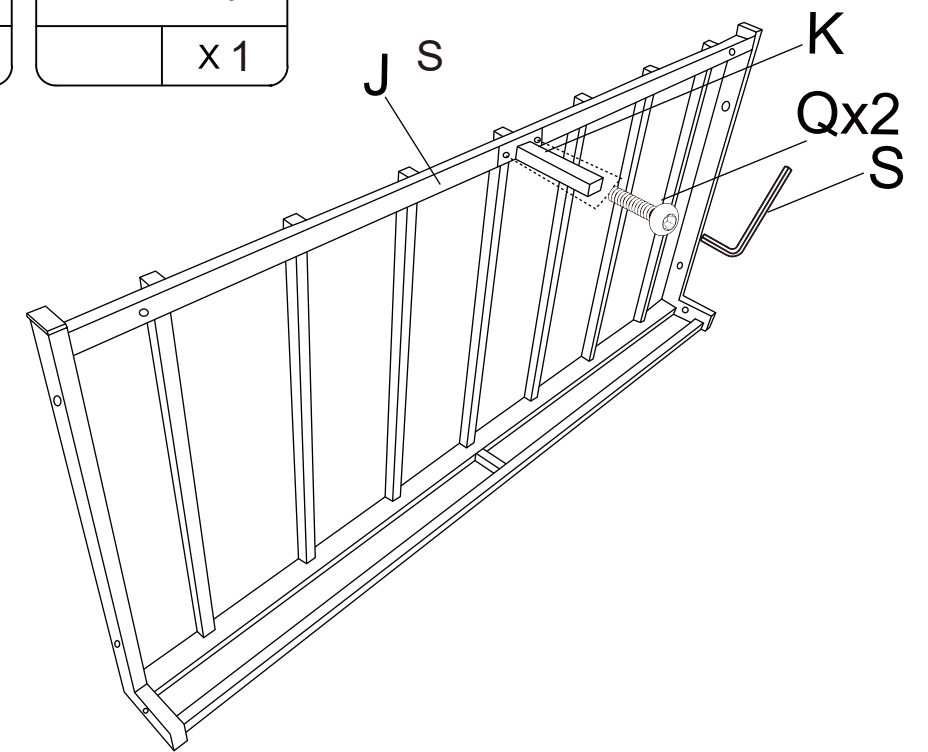
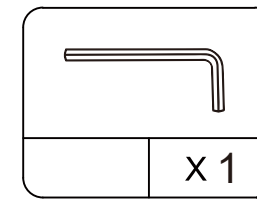
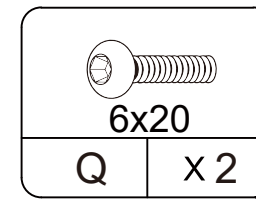


STEP8

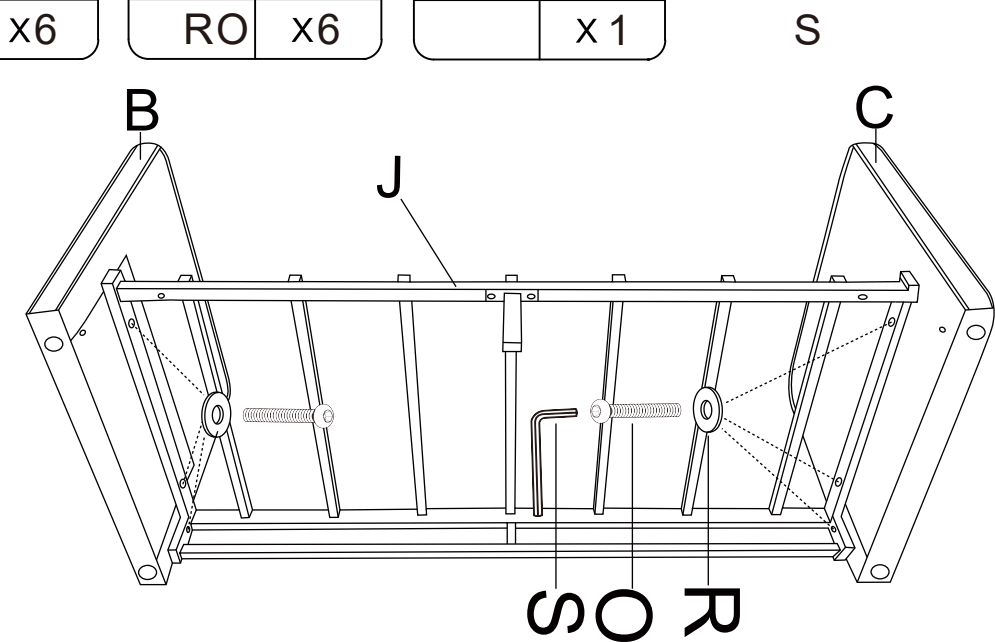
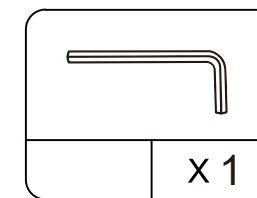
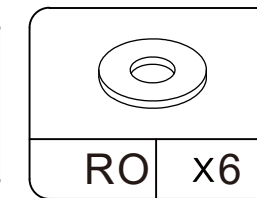
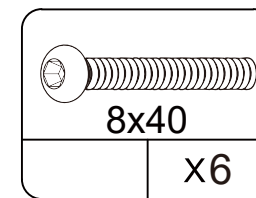


8-10

STEP1

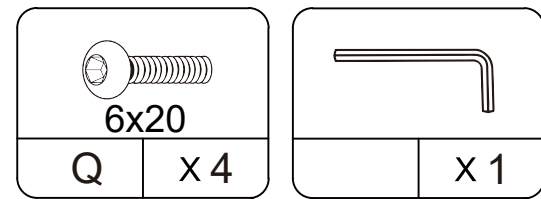


STEP2

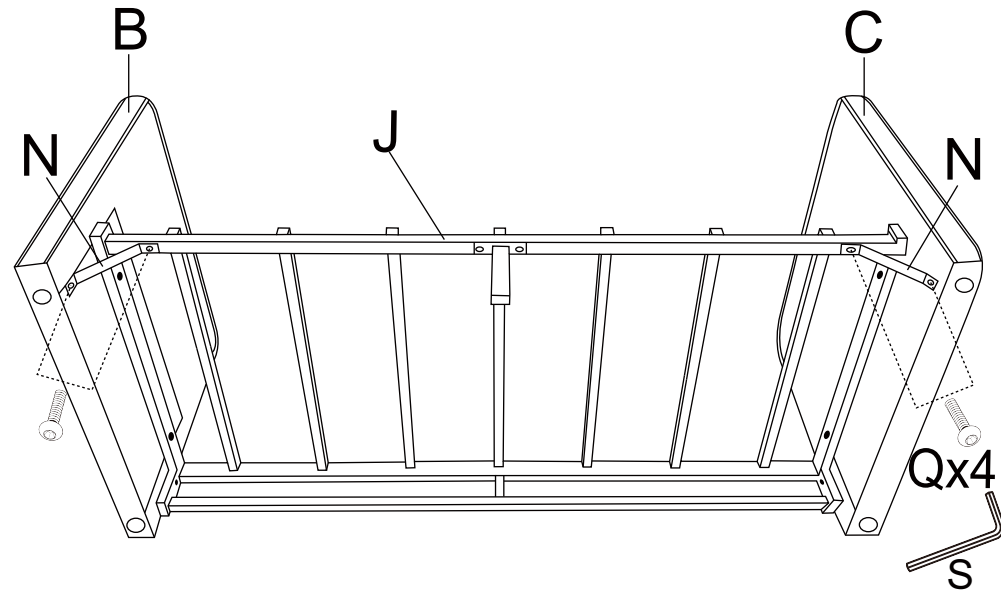


5-10

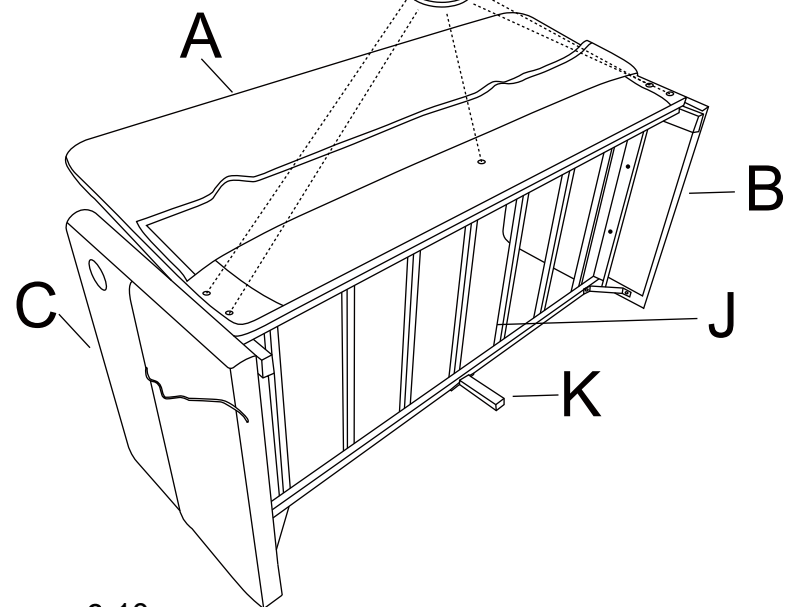
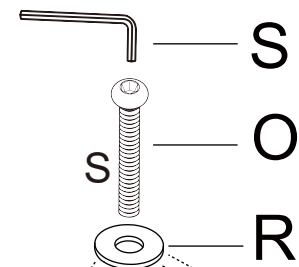
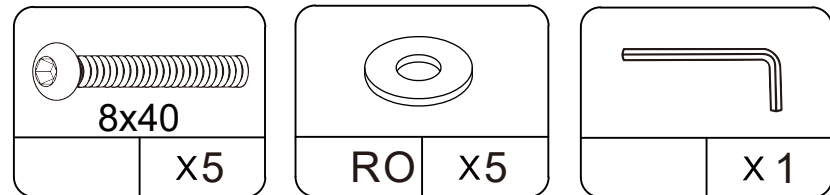
STEP3



S

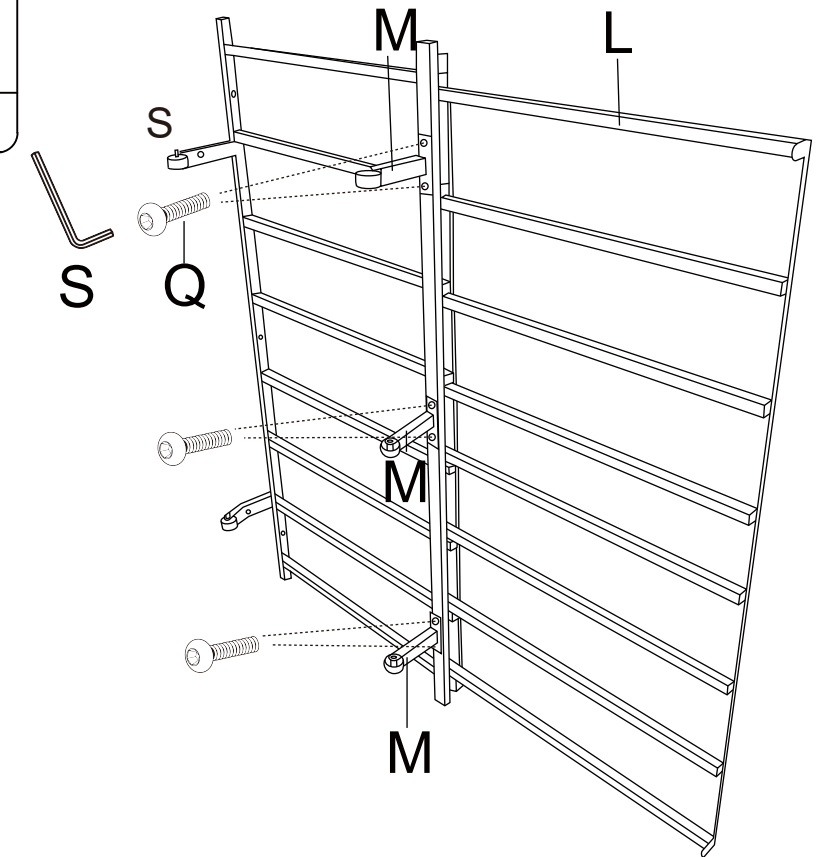
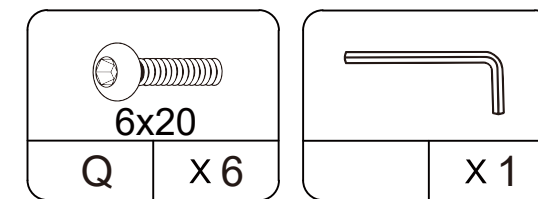


STEP4

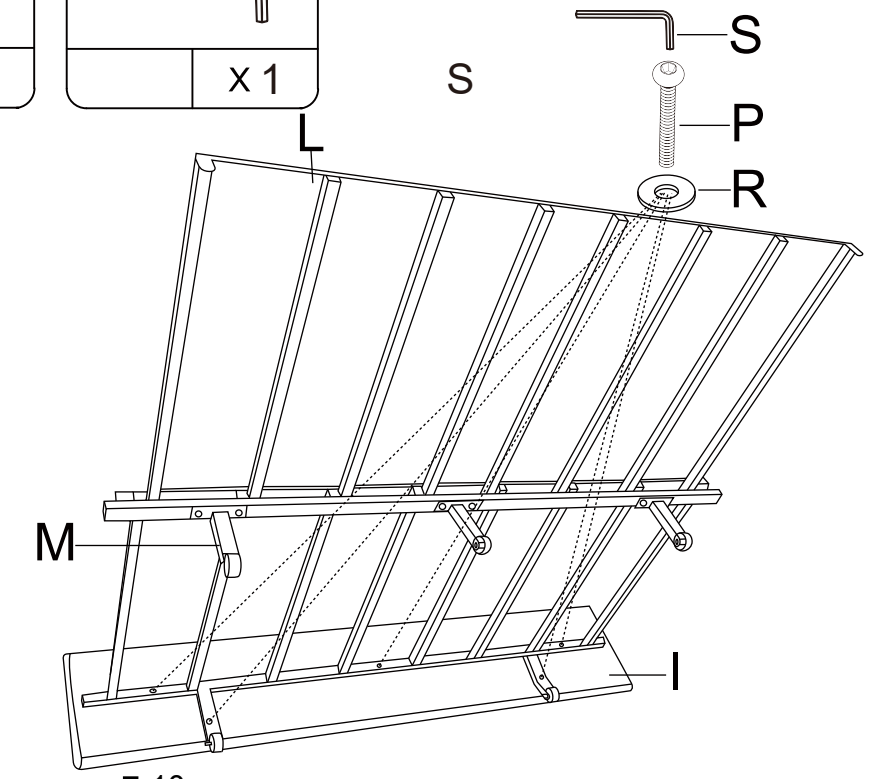
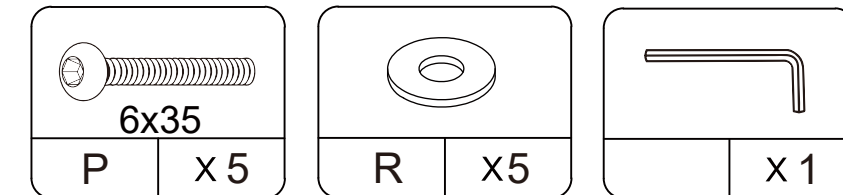


6-10

STEP5



STEP6



7-10