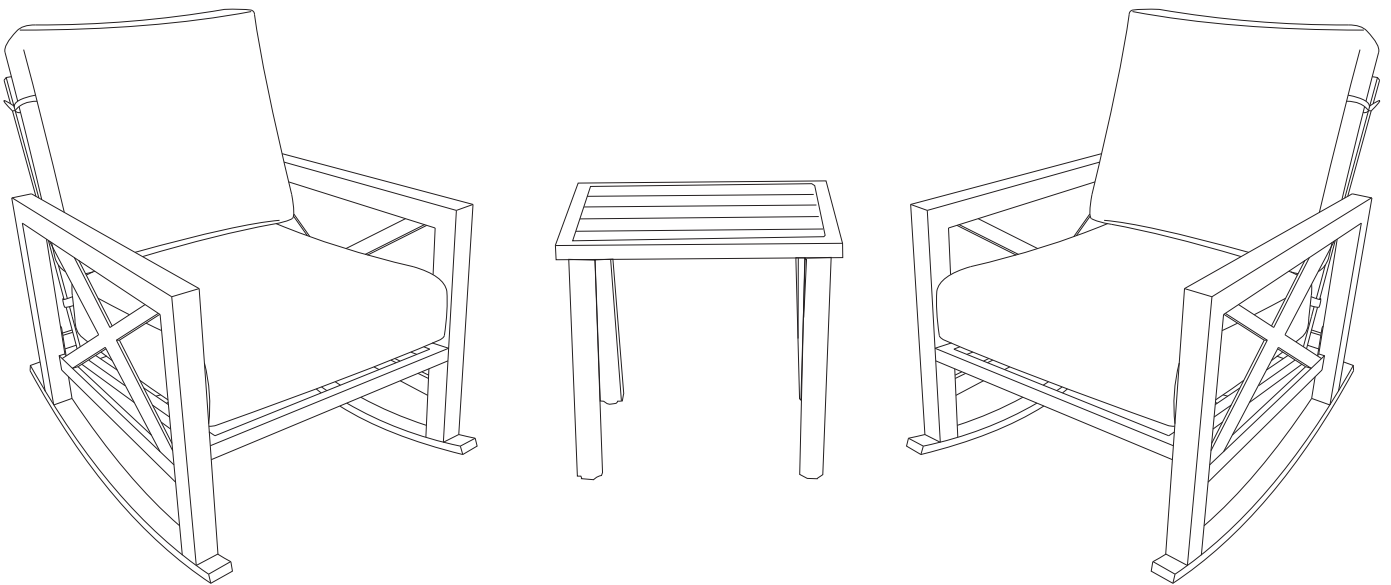



3 Pieces Rocker Set with Cushion

Assembly Instructions





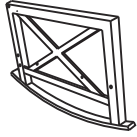

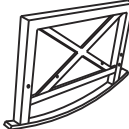







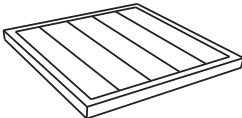
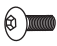
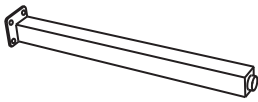


WARNING

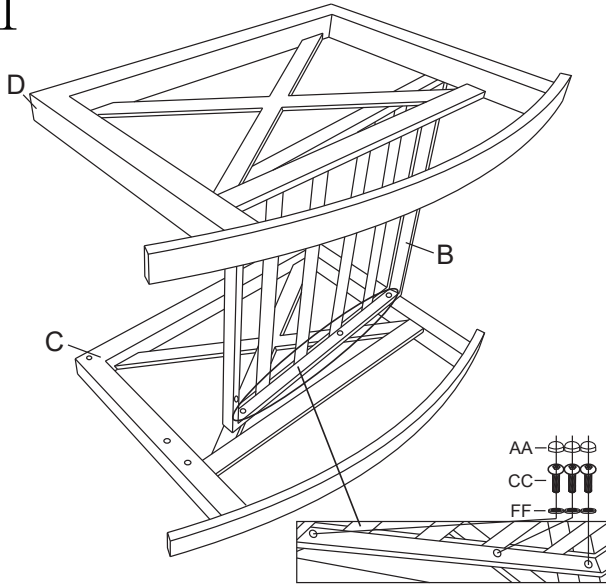
- 1. This set is mixed packed into 2 boxes, please wait one more day if does not arrive on the same day*
- 2. Please confirm all parts correct before assemble*
- 3. Do not tighten fastening fully until assembly is complete*
- 4. DO NOT USE POWER TOOLS. Power tools can overtighten screws and strip threads*

 **WARNING:** This product can expose you to chemicals including Di(2-ethylhexyl) phthalate (DEHP), which is known to the State of California to cause cancer, and birth defects or other reproductive harm. For more information go to www.P65Warnings.ca.gov.

PARTS LIST

CODE	PARTS	QTY.	CODE	PARTS	QTY.
A	 Back	2PCS	AA	 Bolt Cap(M6)	40PCS
B	 Seat	2PCS	BB	 M6*20	8PCS
C	 Leg-L	2PCS	CC	 M6*30	12PCS
D	 Leg-R	2PCS	DD	 M6*45	4PCS
E	 Leg Connector	2PCS	EE	 M6*55	4PCS
F	 Back Cushion	2PCS	FF	 Washer($\phi 6*12$)	40PCS
G	 Seat Cushion	2PCS	GG	 Allen Key	1PC
H	 Tabletop	1PC	HH	 BOLT(M6*15)	12PCS
I	 Table Leg	4PCS			

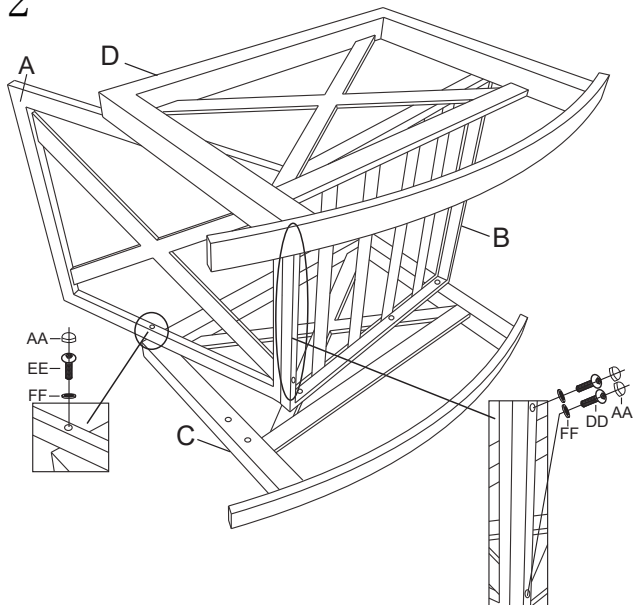
1



ATTENTION: Do not tighten fastening fully until assembly is complete!

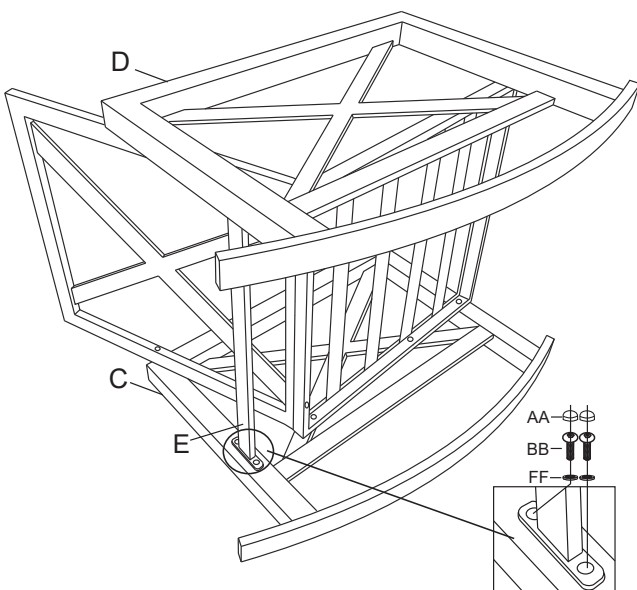
- Attached Seat (B) to the Leg-L (C) and Leg-R(D) with washers (FF) and bolts(CC) using Allen Key(GG)

2



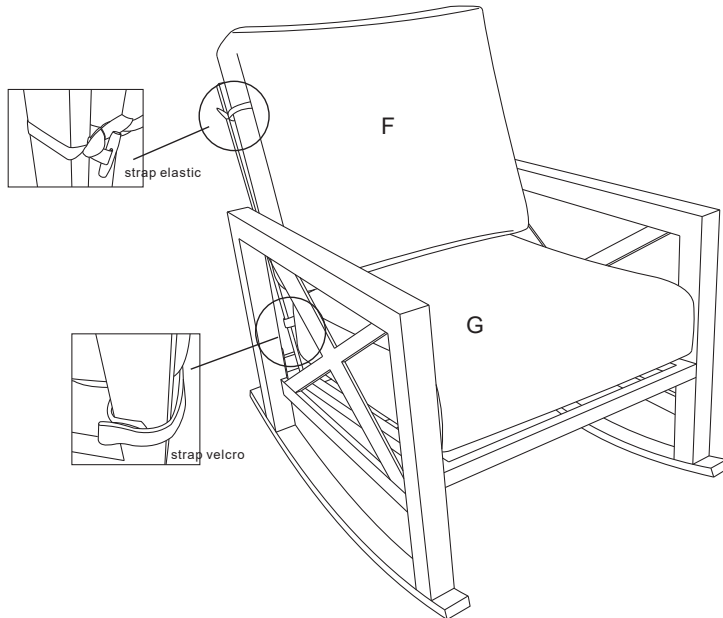
- Attached Back(A) to the Seat (B) with washers(FF) and bolts(DD), then attach to the Leg-L(C) and Leg-R(D) with washers (FF) and bolts(EE) using Allen Key(GG)

3



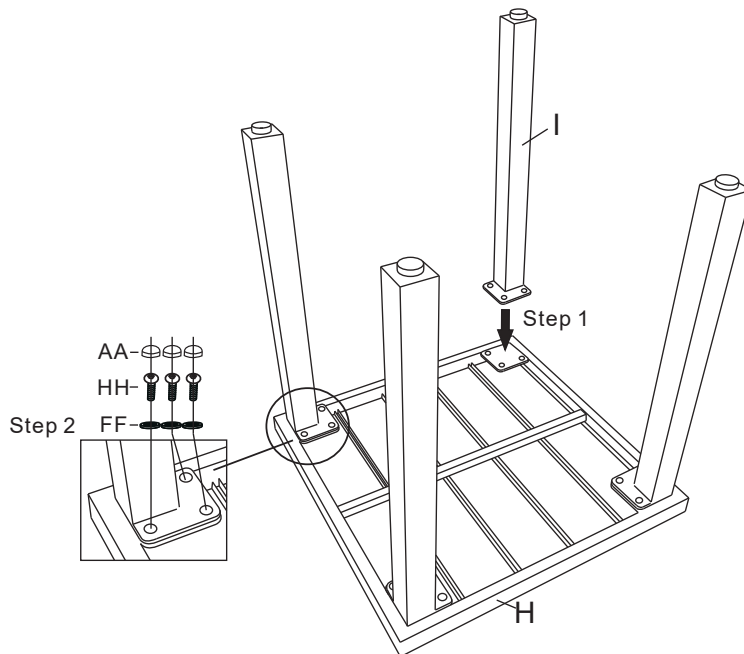
- Attached Leg Connector(E) to the Leg-L(C) and Leg-R(D) with washers (FF) and bolts(BB) using Allen Key(GG)
- **Tighten ALL bolts** using hex wrench and put bolt cap(AA) to all bolts.

4



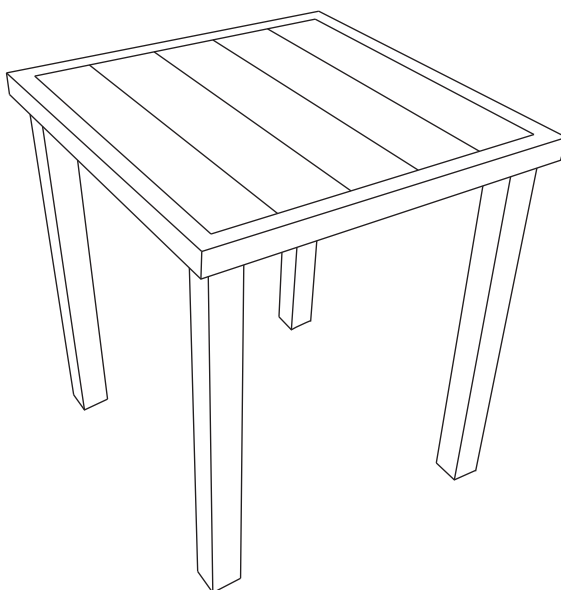
- Put Seat Cushion(G) and Back Cushion(F), then tie to the back with strap elastic/velcro

5



- Attach Leg(I) to Tabletop(H) with washers(FF) and bolts(HH) using Allen Key(GG)
- Tighten bolts using hex wrench and put bolt cap(AA) to all bolts

6



- Turn the table upright. If necessary level the table with adjustable feet cap at the bottom of each table leg.