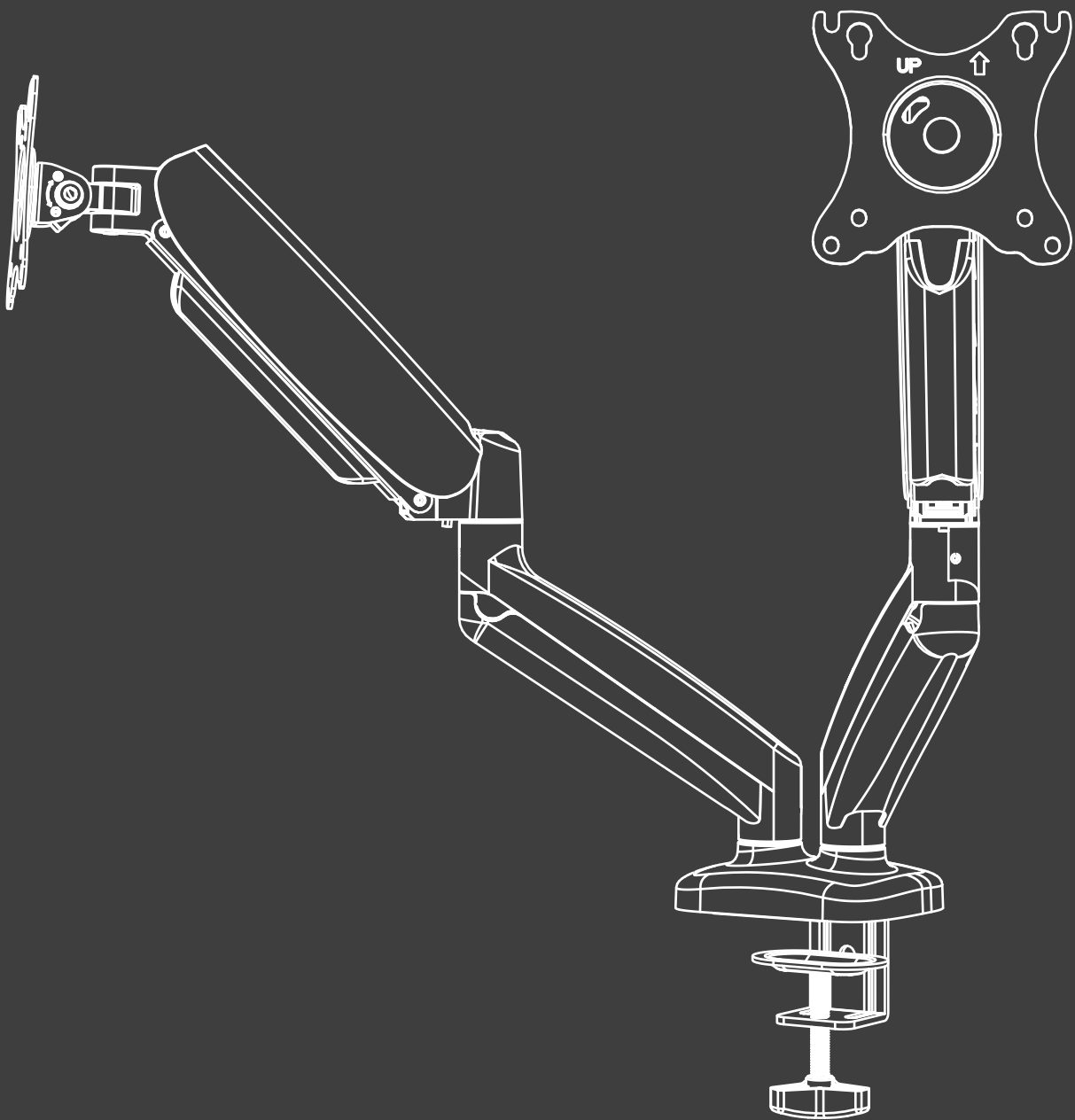


Dual-Arm Monitor Stand Instruction Manual

XZJ-B2-BK

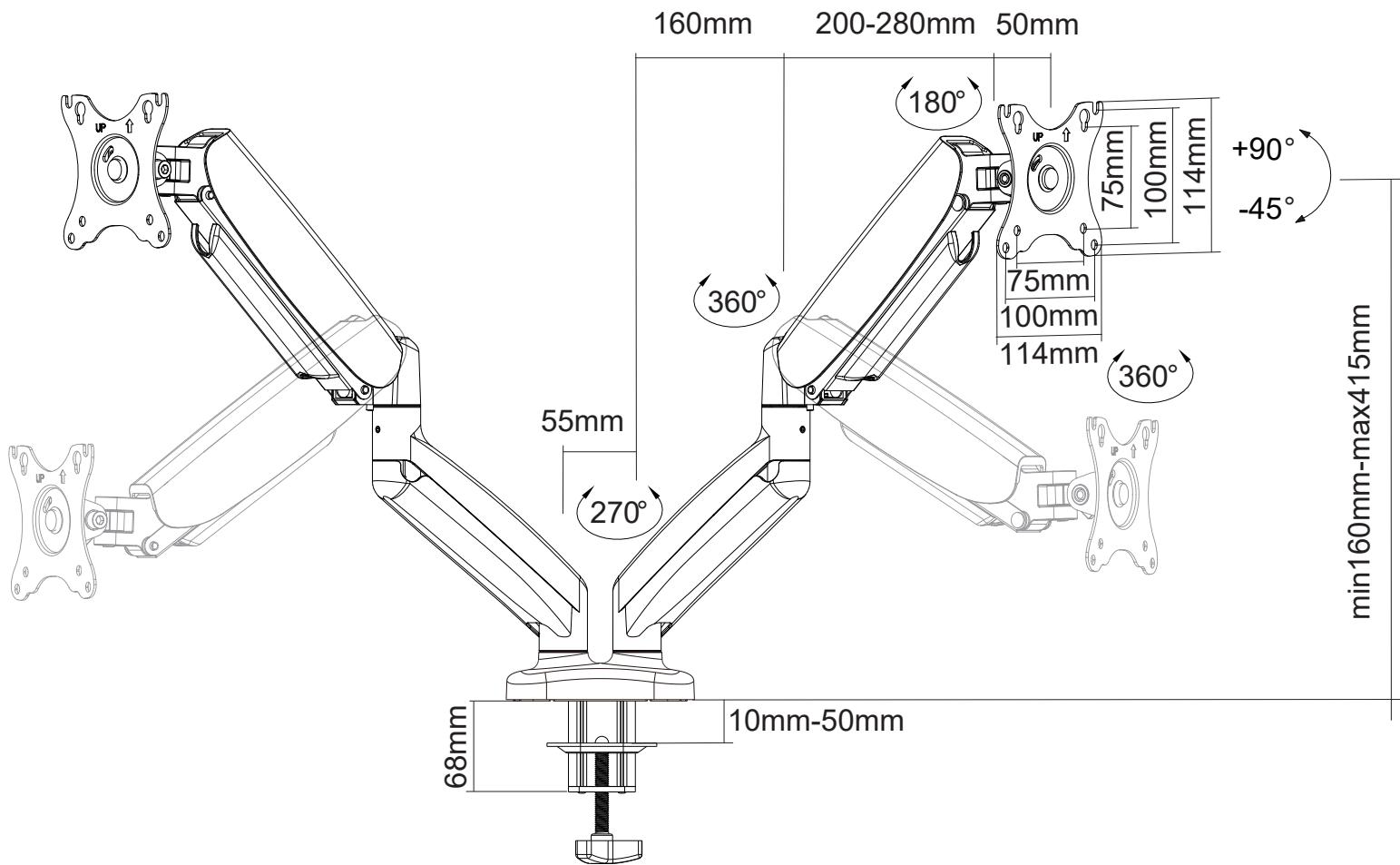


 EST 9:00AM--17:00PM

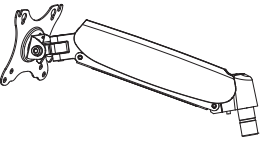
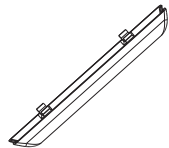
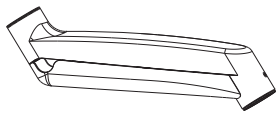
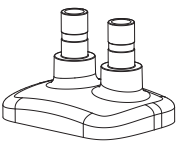
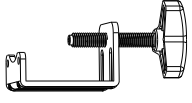
 HJ-Customer-Service@outlook.com

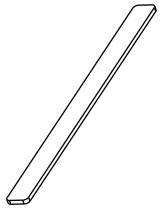
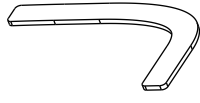

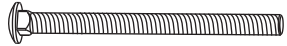
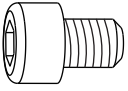



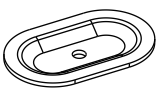
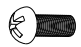

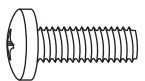
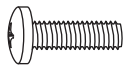
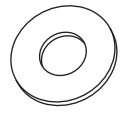
 (909)637-7665 | (909)637-7593

DESCRIPTION

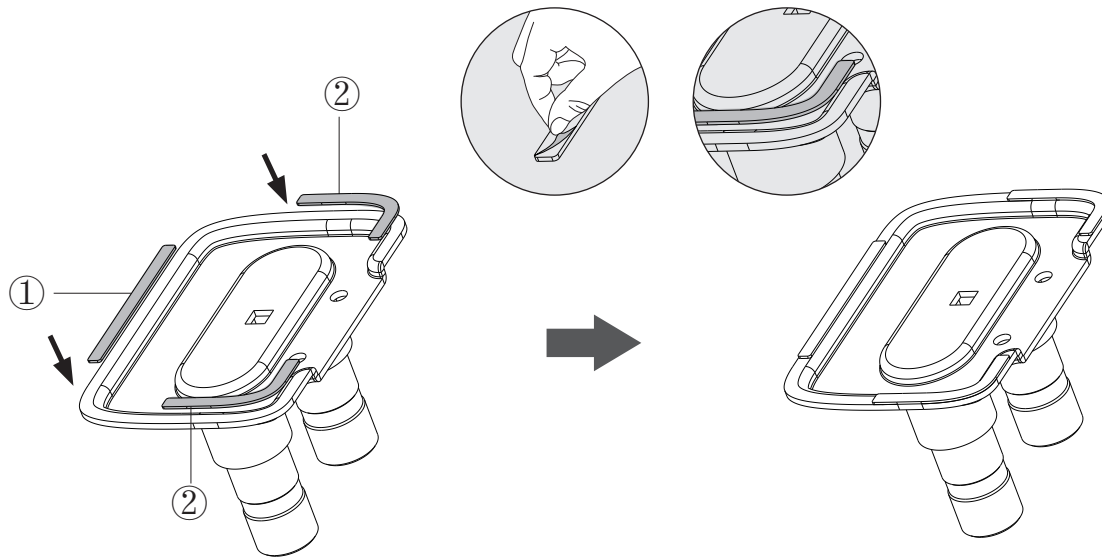


Part List & Assembly Instruction

<p>A *2</p>  <p>Upper Arm</p>	<p>B *2</p>  <p>Cable Cover</p>	<p>C *2</p>  <p>Lower Arm</p>	<p>D *1</p>  <p>Base</p>	<p>E *1</p>  <p>Clamp</p>
--	---	---	--	---

<p>① *1 "1"Non-Slip Mat</p> 	<p>② *2 "L"Non-Slip Mat</p> 	<p>③ *1 Wing Nut</p> 	<p>④ *1 Carriage Bolt</p> 
<p>⑤ *2 Bolt</p> 	<p>⑥ *1 Wrench 3mm</p> 	<p>⑦ *1 Wrench 5mm</p> 	<p>⑧ *1 Wrench 6mm</p> 
<p>⑨ *1 Cleat</p> 	<p>⑩ *1 Screw</p> 	<p>⑪ *1 Washer</p> 	<p>⑫-1 *8 Screw</p> 
<p>⑫-2 *8 Screw</p> 	<p>⑫-3 *8 Metal Gaskets</p> 		

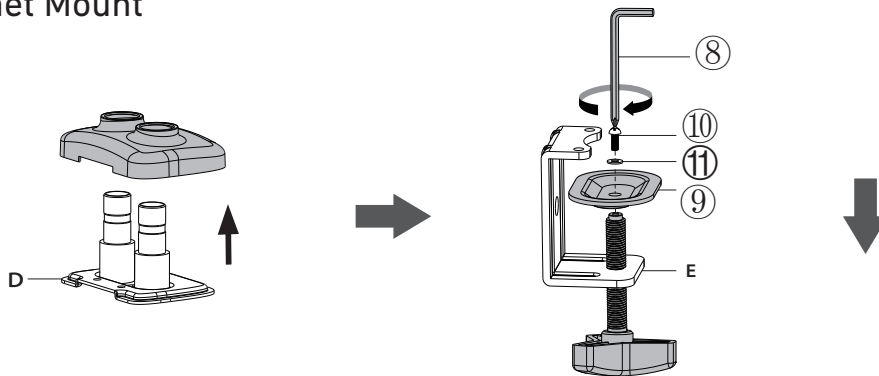
Step 1



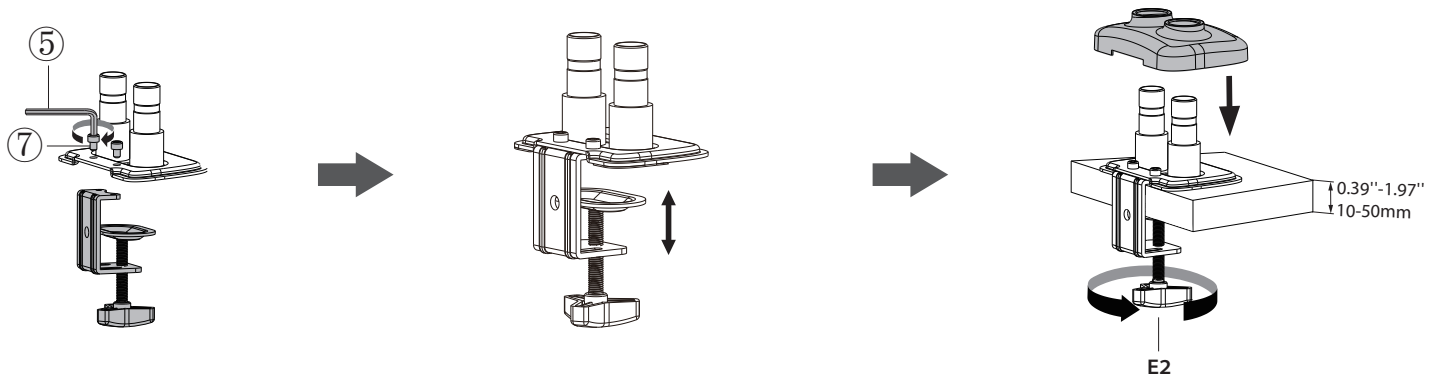
Attach the "I" Non-Slip Mat ① and the "L" Non-Slip Mat ② to the Base D.

Step 2-1

Grommet Mount



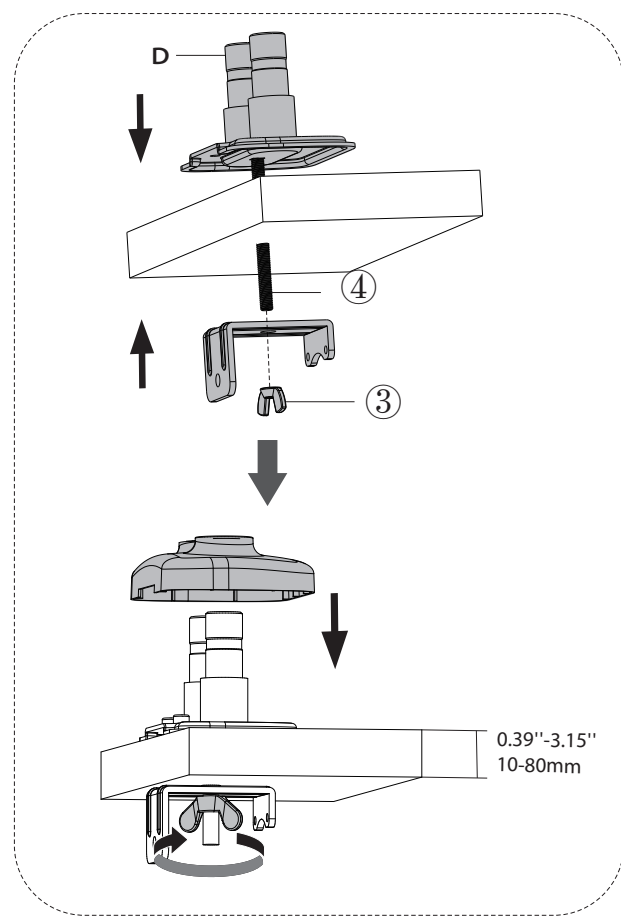
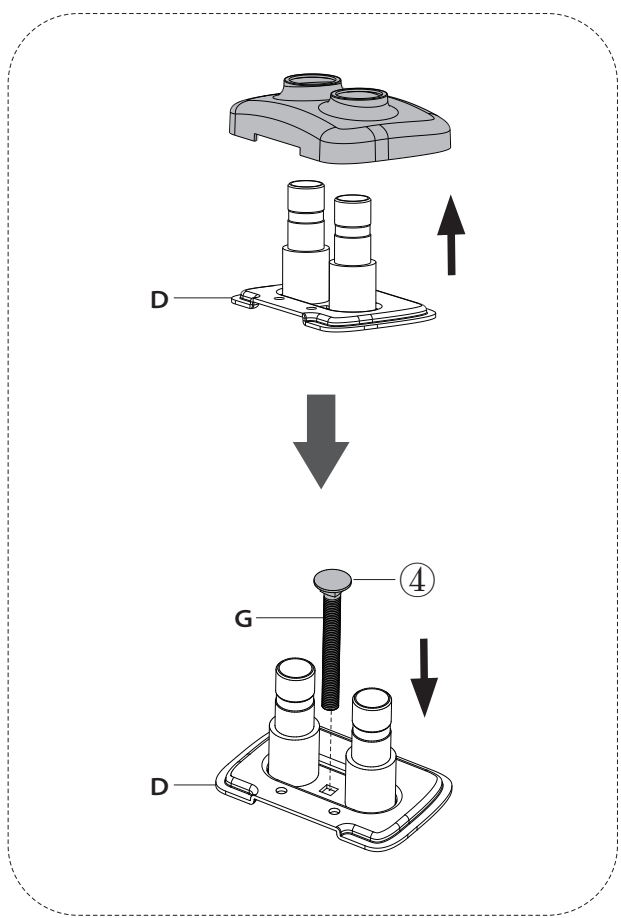
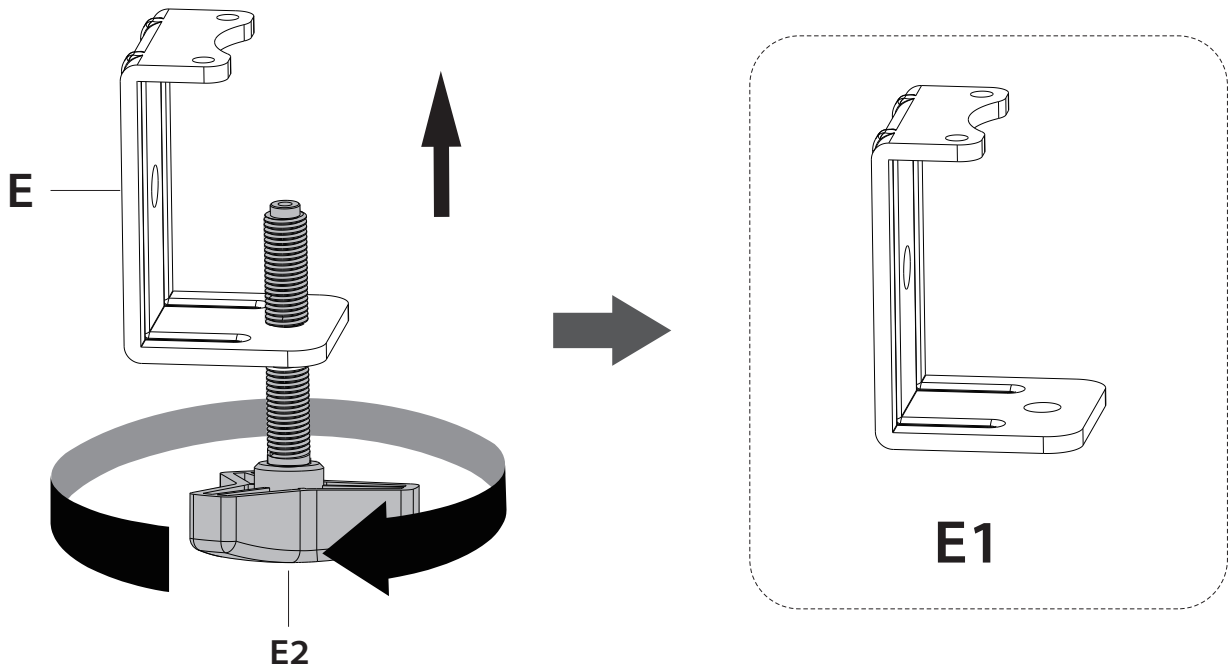
After disassembling the top cover of Base D, connect the Cleat ⑨, Washer ⑪, Screw ⑩ and table Clamp E in turn, and tighten them with the Wrench ⑧.



Connect the table Clamp E to the Base D with Wrench ⑦ and Bolt ⑤*2, then reattach the upper cover and secure the table clamp to the table by turning the table clamp Screw E2.

NOTE: Desk Thickness: 0.39"-1.97"

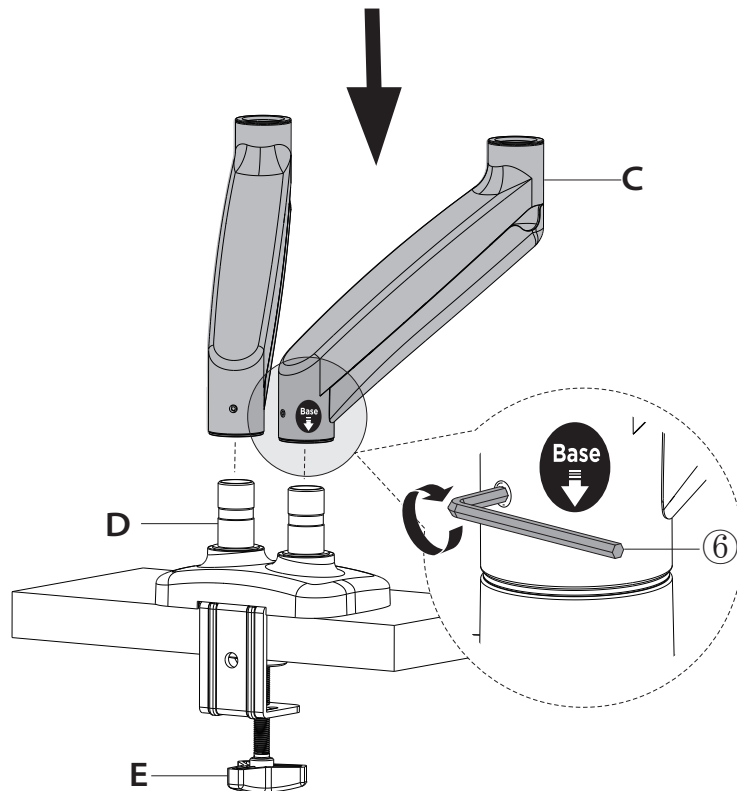
Step 2-2



Rotate the bottom to disassemble the table Clamp E to get E1, remove the top cover of the Base D, then pass the Carriage Bolt ④ from top through the Base D, the table wire hole, and E1 then tighten them with the Wing Nuts ③.

NOTE: Desk Thickness: 0.39"--3.15"

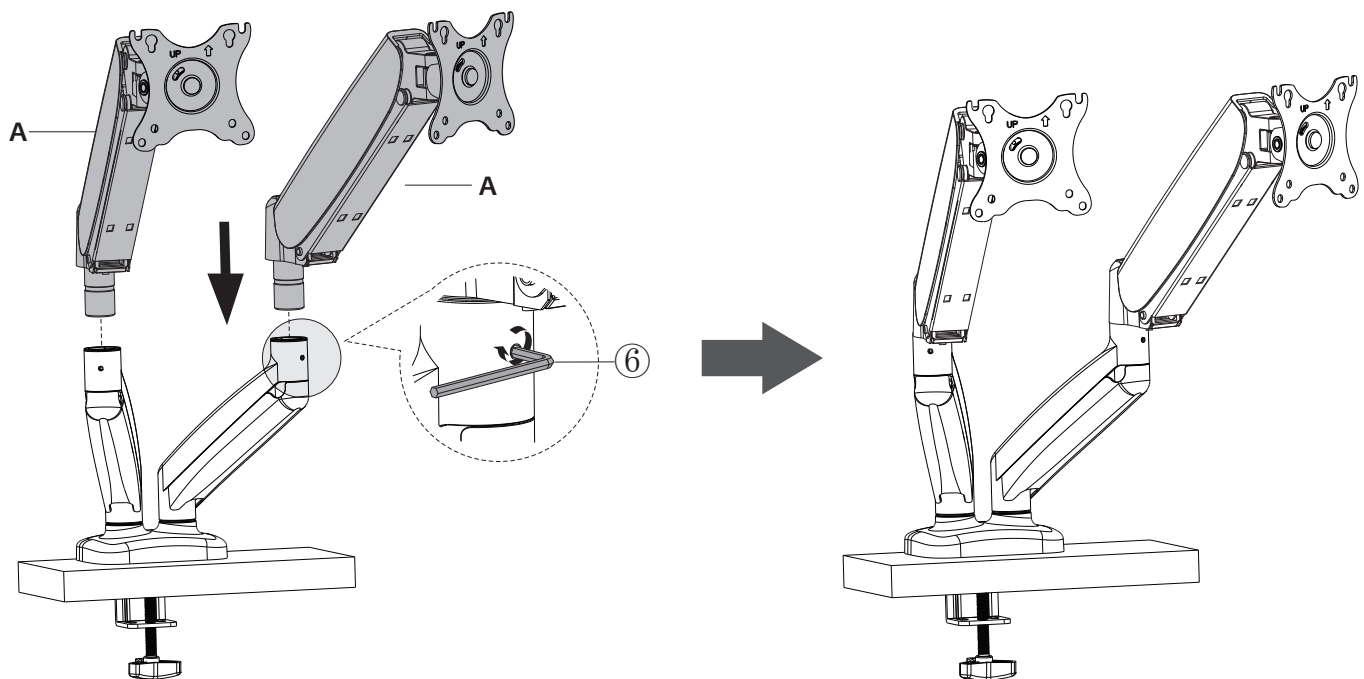
Step 3



NOTE: Install with the " ↓ " labeled facing downward.

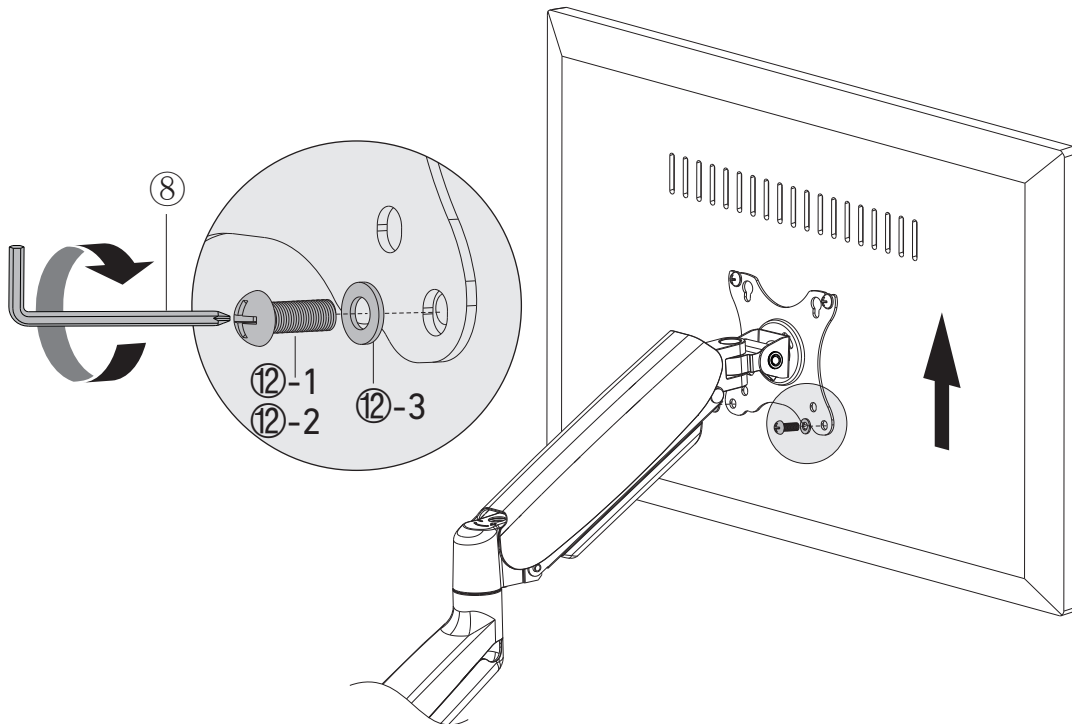
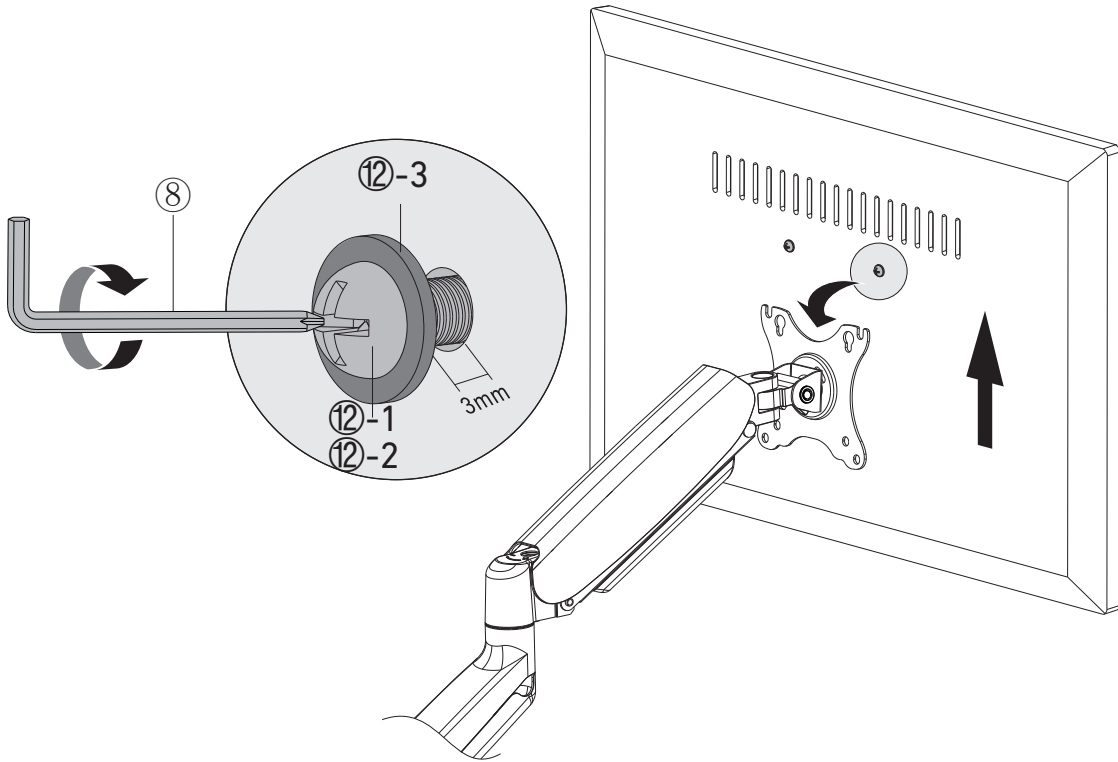
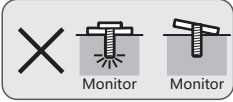
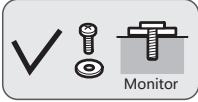
Link the Lower Arm C*2 to the Base D and tighten it with Wrench Ⓠ.

Step 4



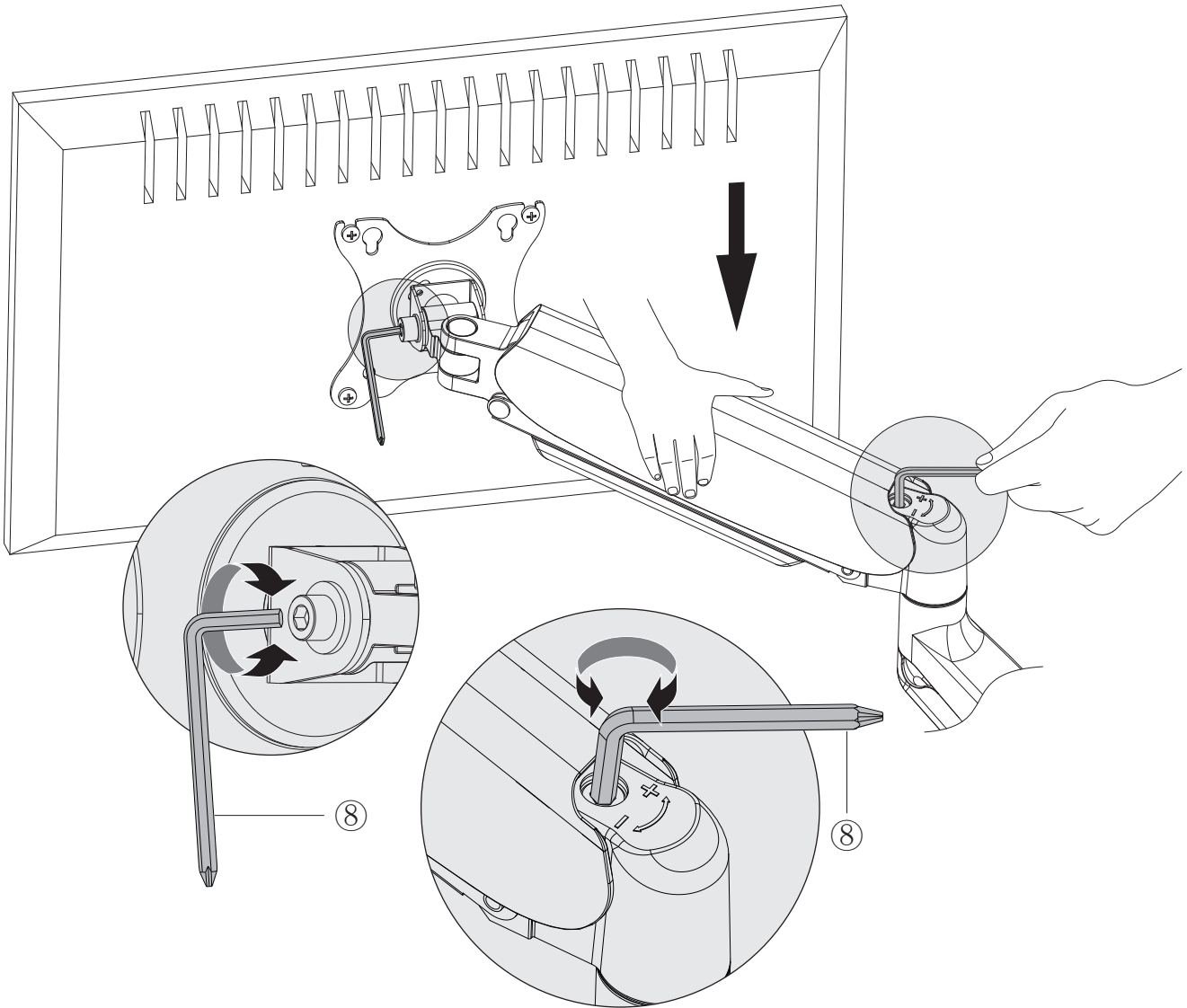
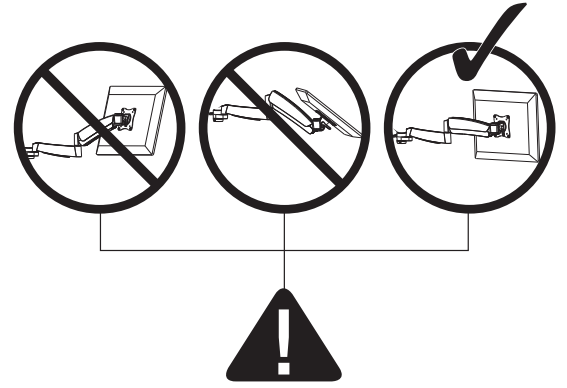
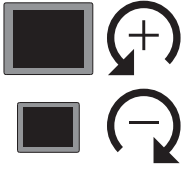
Link the Lower Arm C*2 to the upper Upper Arm A*2 and tighten them with Wrench Ⓠ.

Step 5



Use a wrench (8) to link (12-1*4 or 12-2*4 (select 12-1 or 12-2 according to the actual situation) and Metal Gasket 12-3*4 to link the upper arm to the monitor.

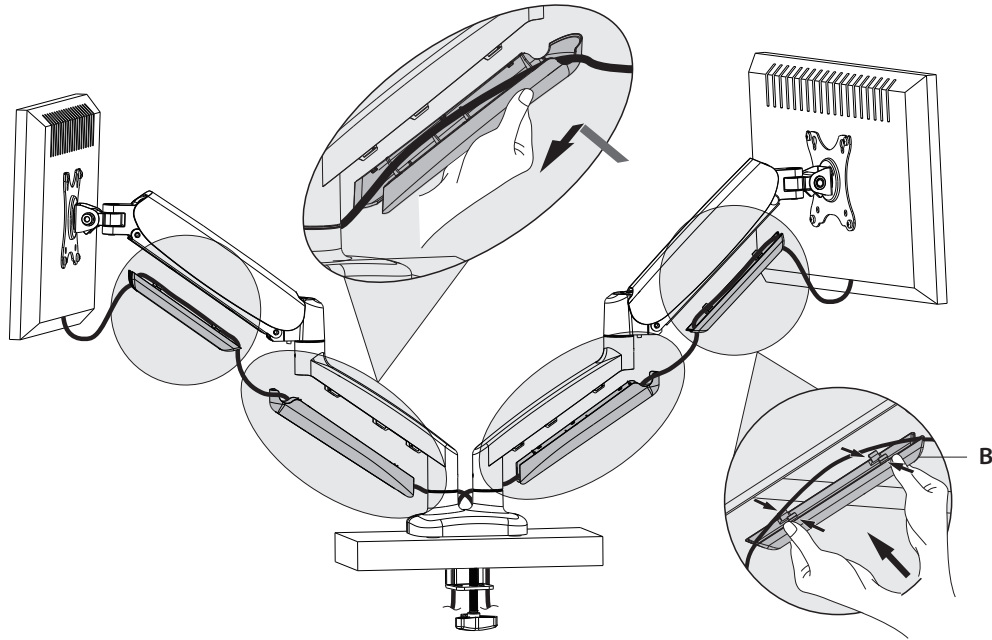
Step 6



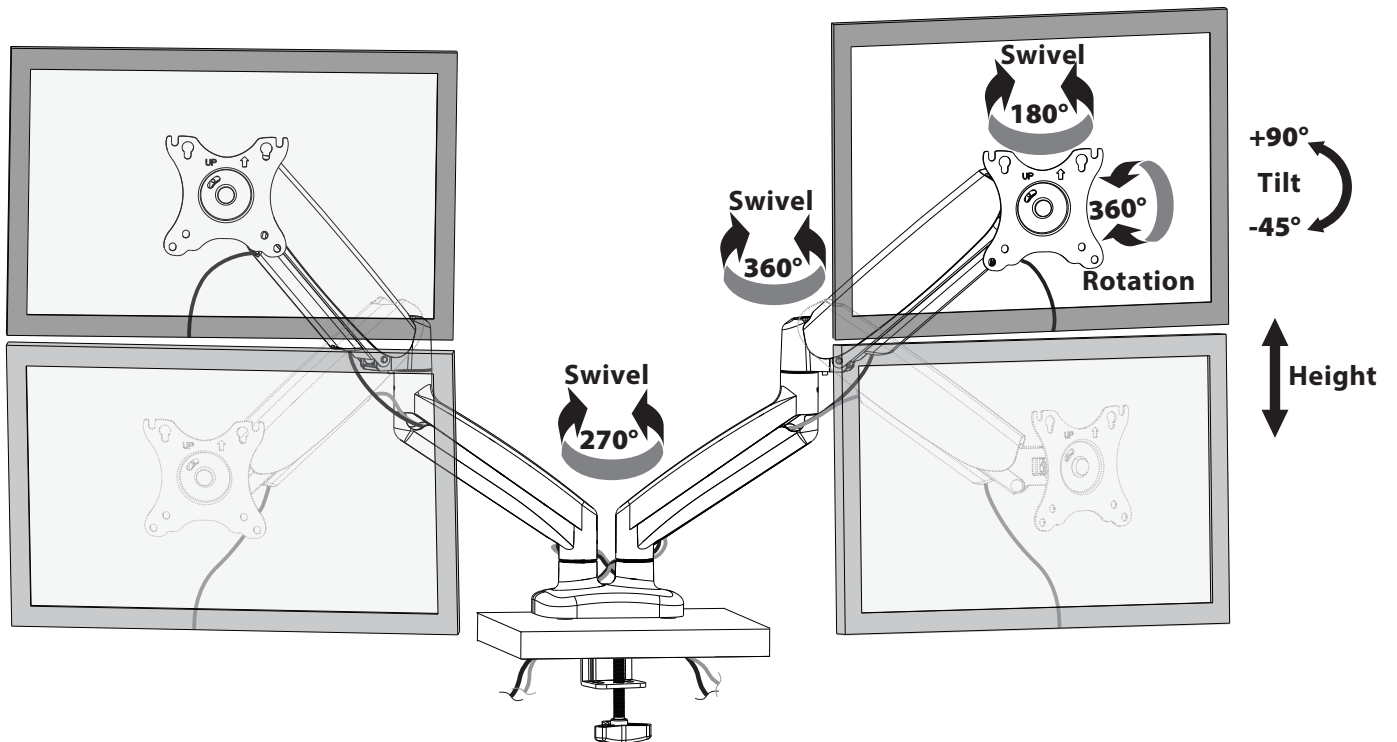
After installing the display, please adjust the tightness of the Upper Arm A according to your personal usage habits to prevent the monitor from falling off!

NOTE: Tighten clockwise and loosen counterclockwise.

Step 7

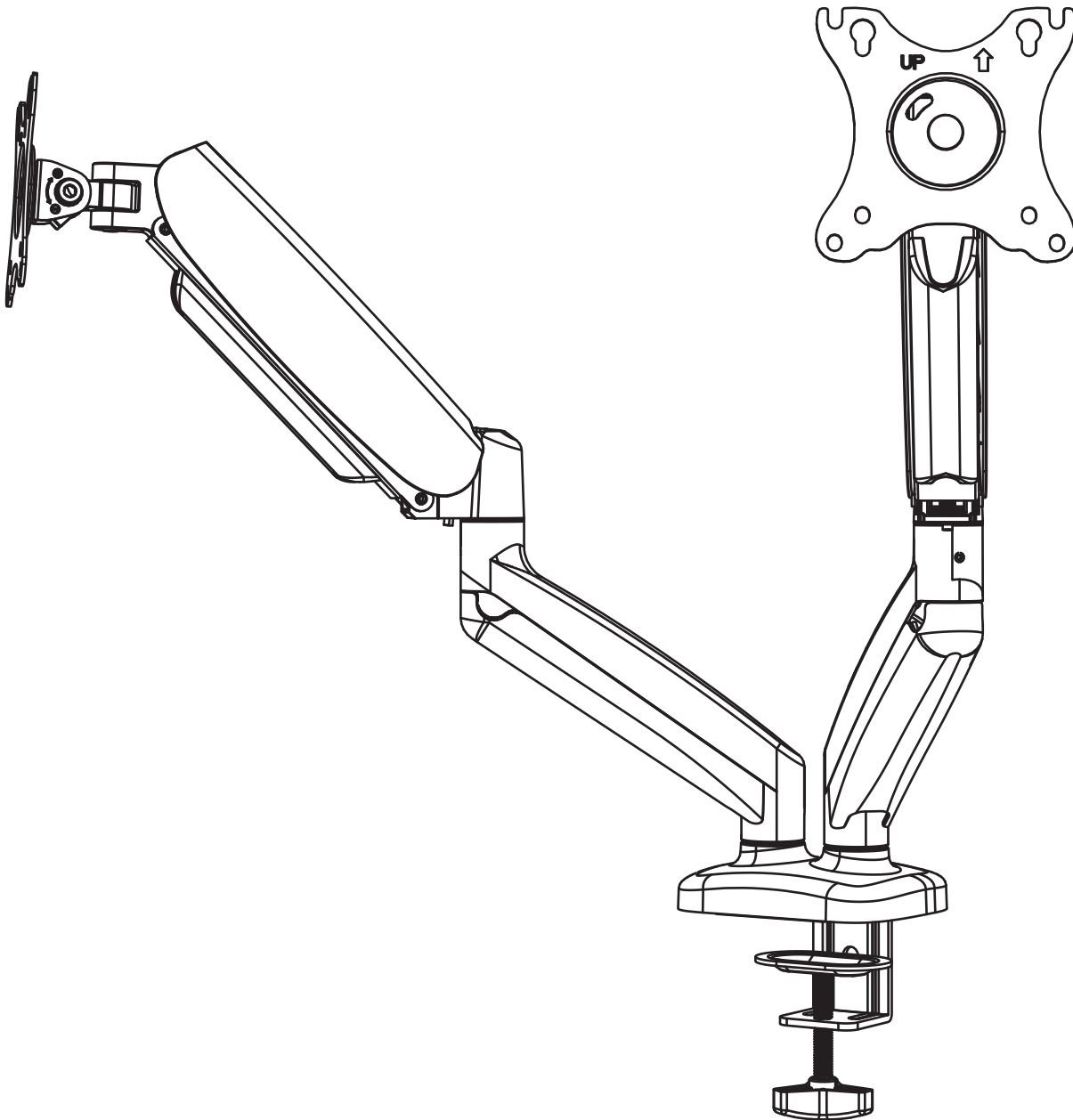


Remove the Cable Cover B from the Upper Arm A and Lower Arm C, stow the monitor cables inside the Cable Cover B, finally install the Cable Cover B back.



Attention

- Left and right adjustment angle: 270°
- Screen rotation angle: 360°
- Up and down adjustment angle: -45-90°



Technical Support

(909)637-7665 | (909)637-7593

Other Info

HJ-Customer-Service@outlook.com

Thank you for choosing this product. We strive to provide you with the best quality products and service in the industry. Should you have any issues, please don't hesitate to contact us.