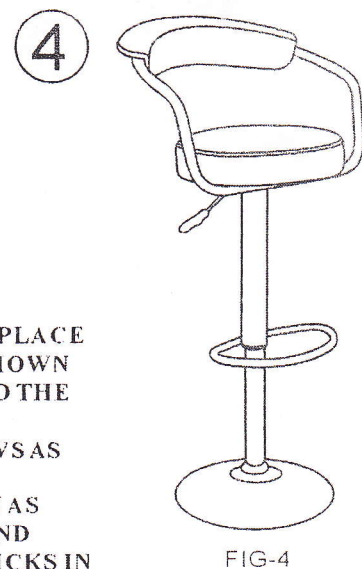
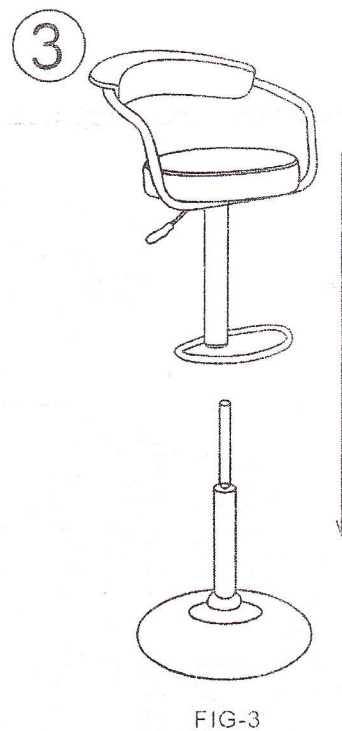
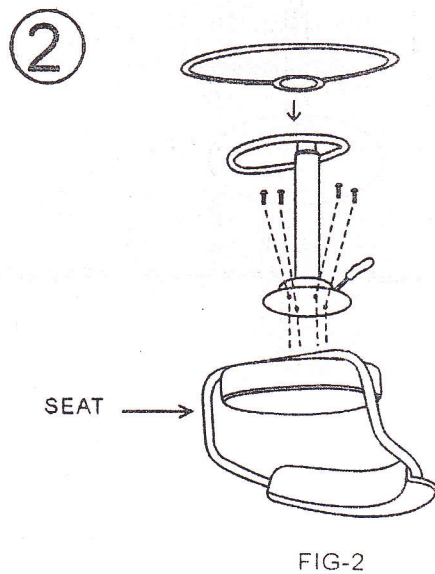
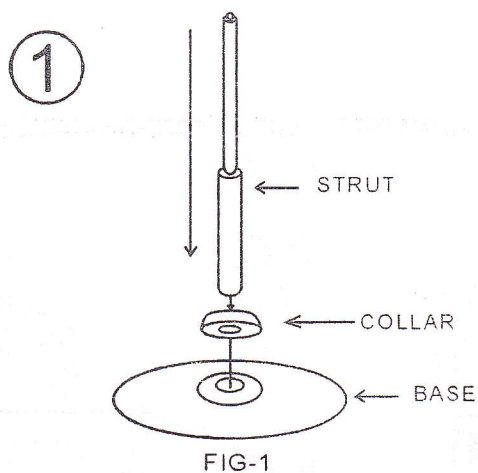


# BAR STOOL



## INSTRUCTION FOR ASSEMBLY OF BAR STOOL

1. FIRST PLACE THE COLLAR ONTO THE BASE AND THEN PLACE THE STRUT THROUGH THE COLLAR TO THE BASE AS SHOWN IN FIG.1. ENSURE THAT THE STRUT IS FIRMLY FIXED TO THE BASE.
2. FIX THE MECHANISM TIGHTLY TO THE SEAT BY 4 SCREWS AS SHOWN IN FIG.2.
3. PLACE THE SEAT OVER THE STRUT UNTIL IT CLICKS IN AS SHOWN IN FIG.3. YOU MAY HAVE TO SIT ON THE SEAT AND PULL THE ADJUSTING LEVER UPWARDS SO THAT IT CLICKS IN SECURELY.

## **WARNING!**

1. DO NOT STAND ON THE BAR STOOL.
2. THIS BAR STOOL IS DESIGNED TO SEAT ON AND NOT FOR ANY OTHER PURPOSE.
3. FAILURE TO FOLLOW THESE WARNINGS COULD RESULT IN SERIOUS INJURY.