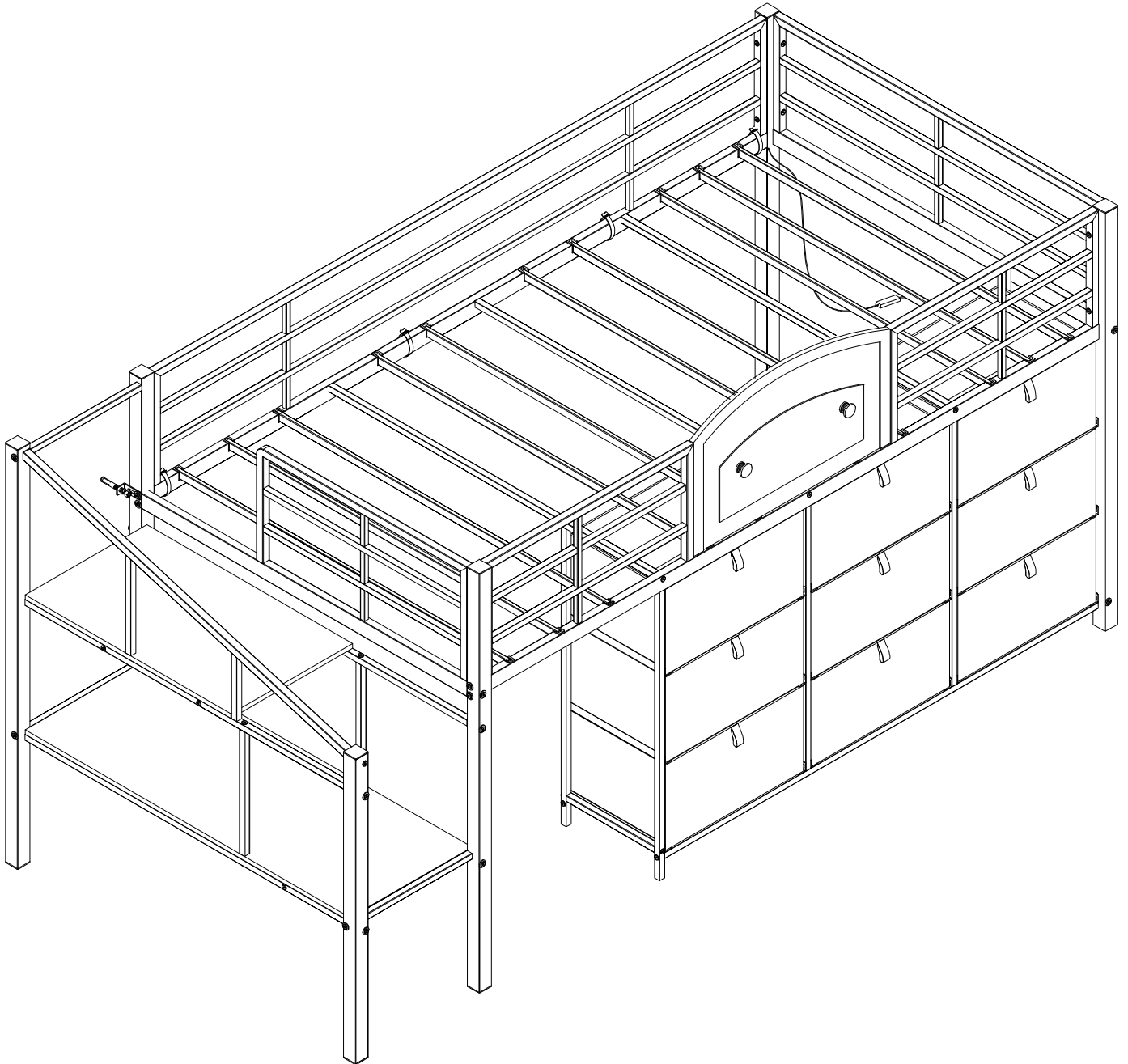
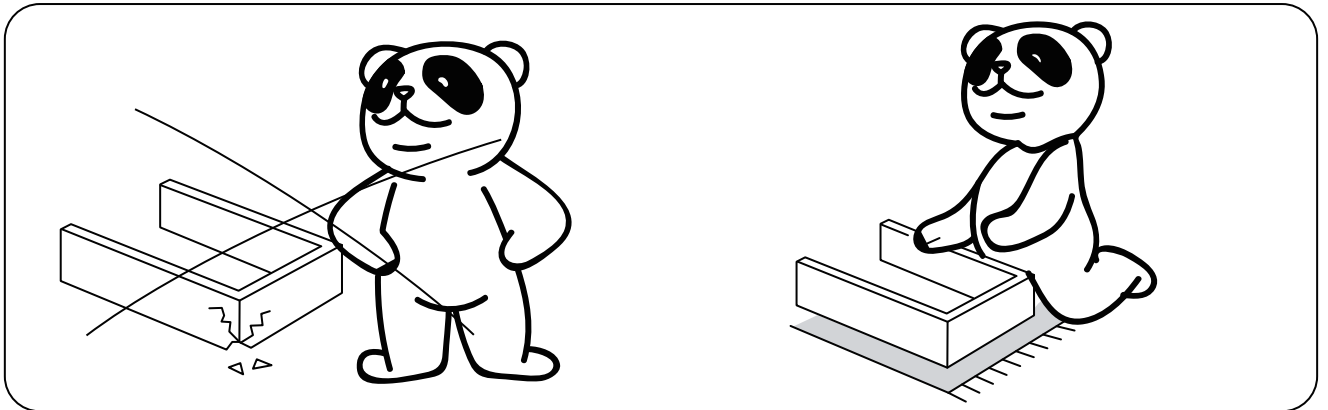
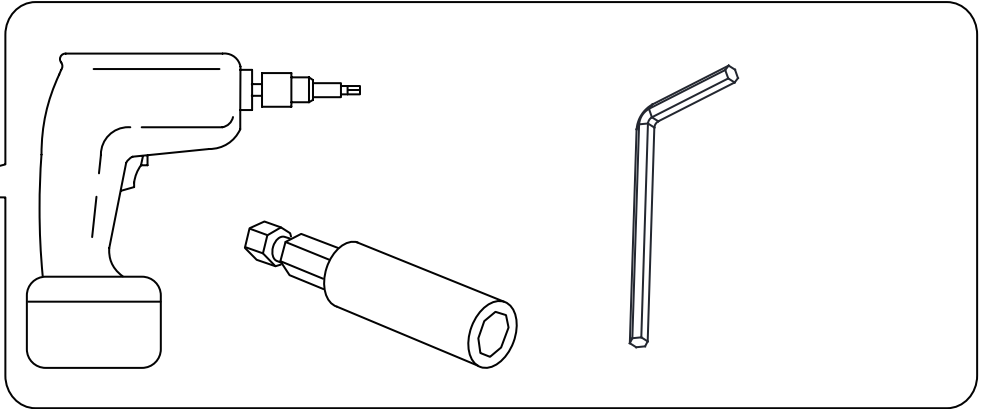


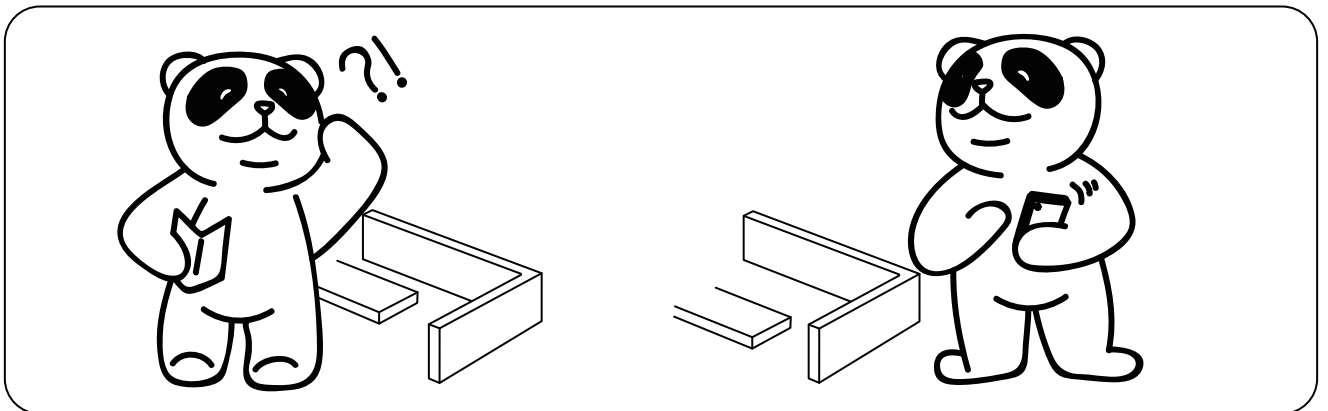
# Loft Bed



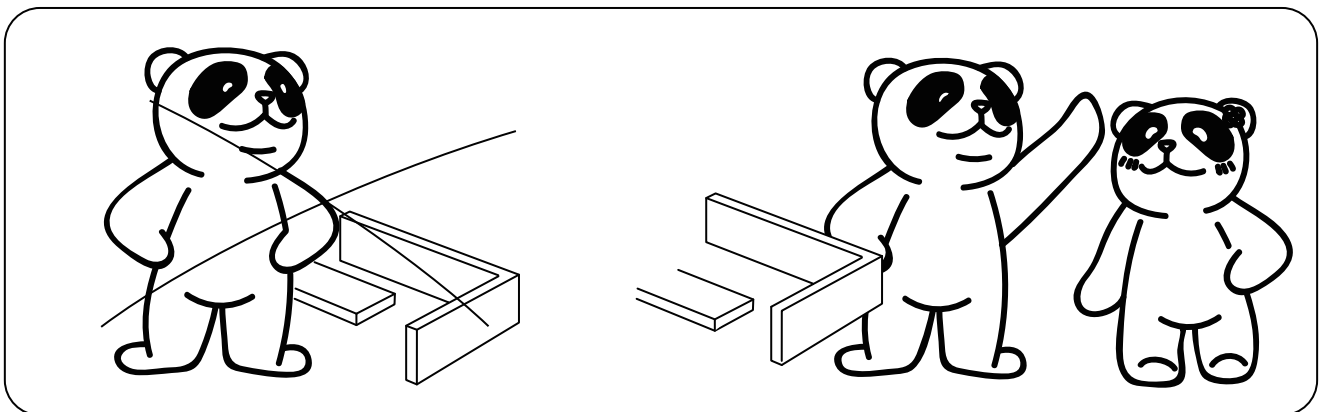
Version 1.0



Violent installation is prohibited



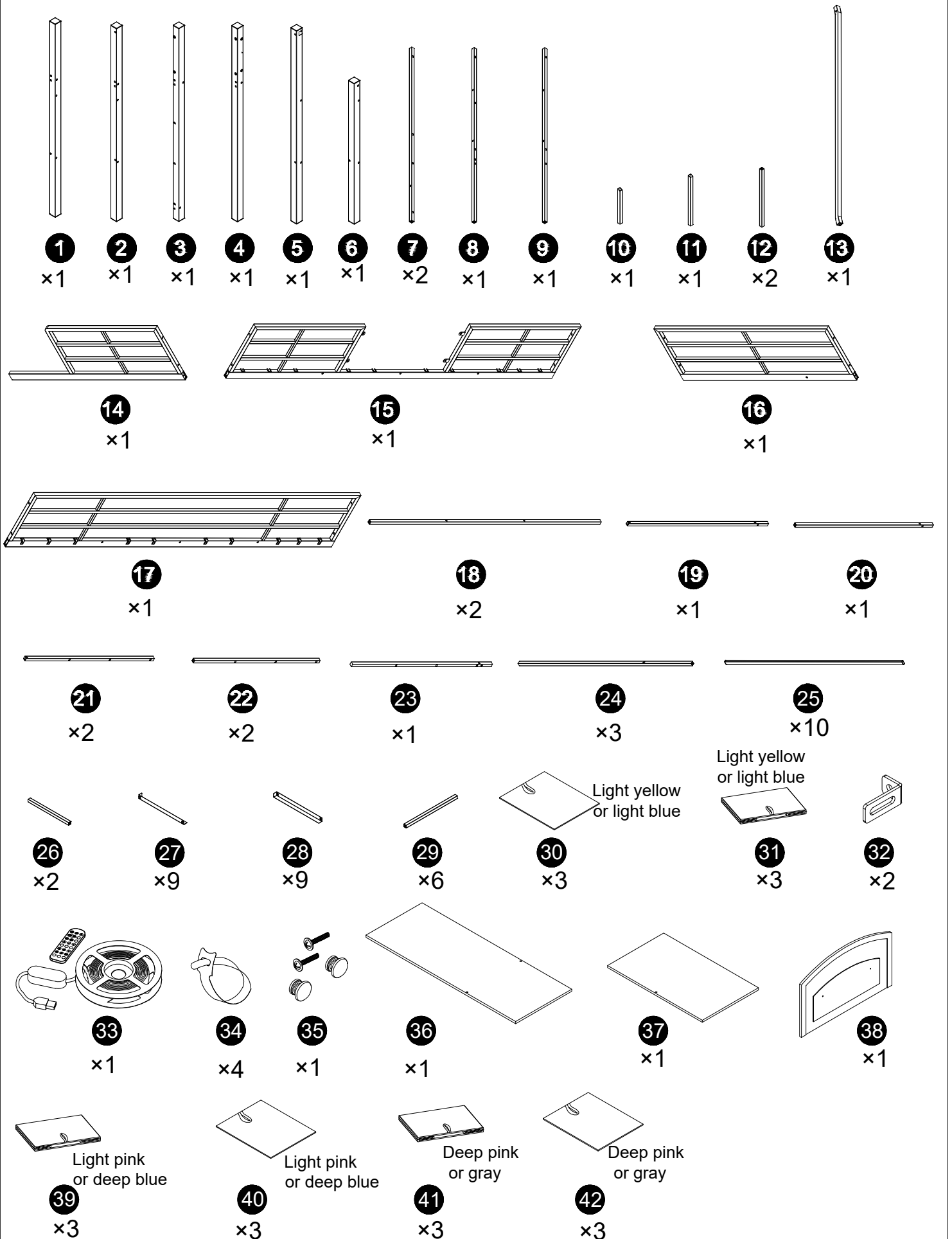
Please call if you need help



Multi-person cooperation is recommended

# Install parts

## PARTS LIST



# Install parts

## HARDWARE LIST



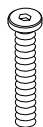
**A**

M6\*10  
x4+1



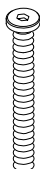
**B**

M6\*24  
x12+1



**C**

M6\*35  
x43+4



**D**

M6\*60  
x31+3



**E**

M6 washer  
x27+2



**F**

M6\*75  
x2



**G**

4#  
x1



**H**

4#  
x1

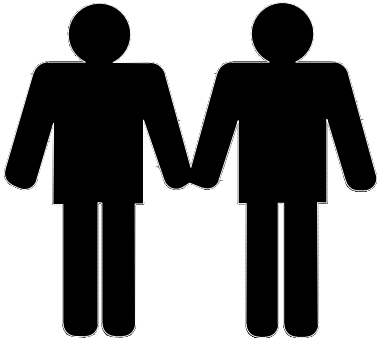


**I**

M6  
x1

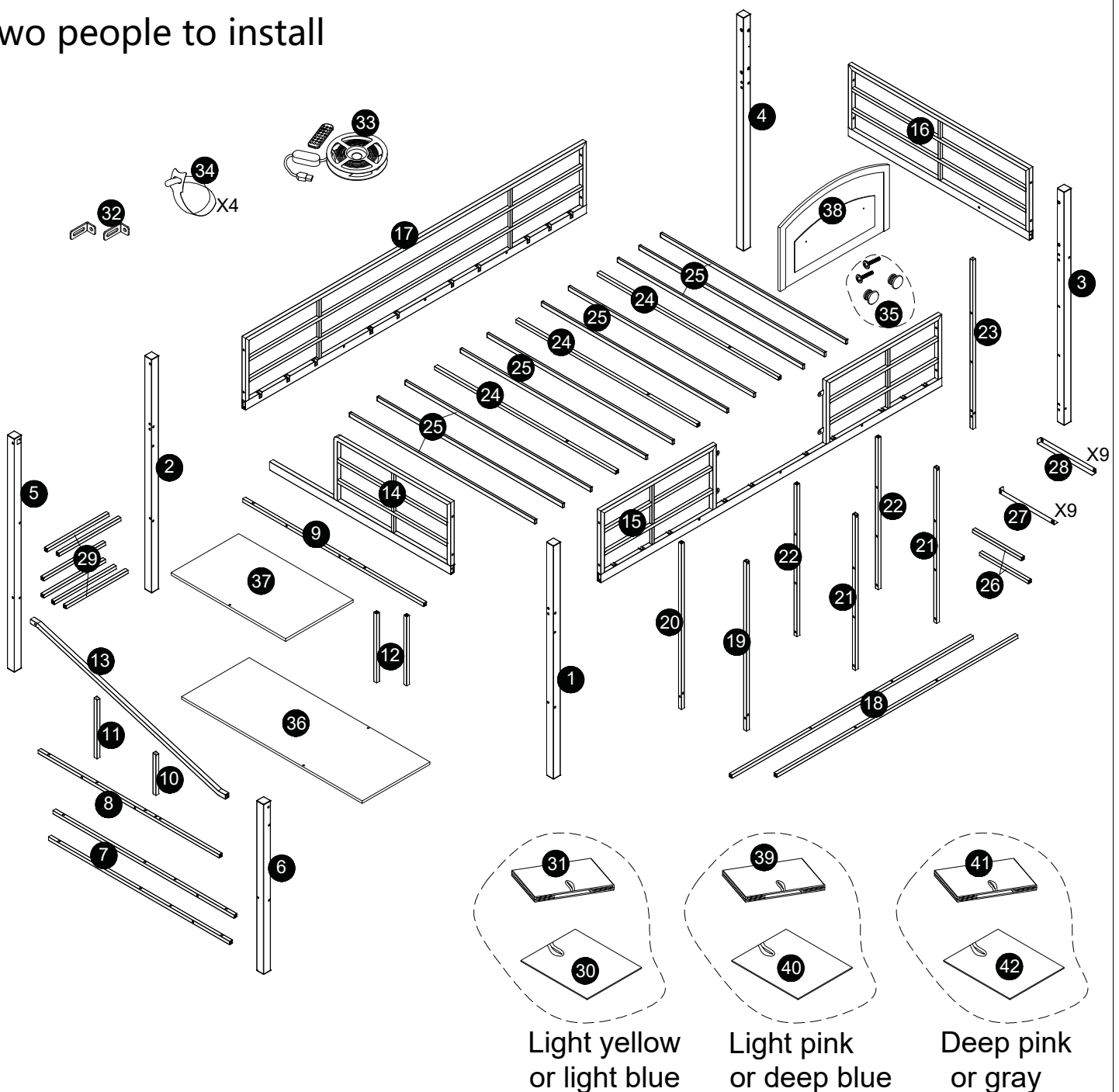
Note:

- 1, Should be assembled on flat ground to keep balance.
2. Before completing the installation, do not tighten the screws.



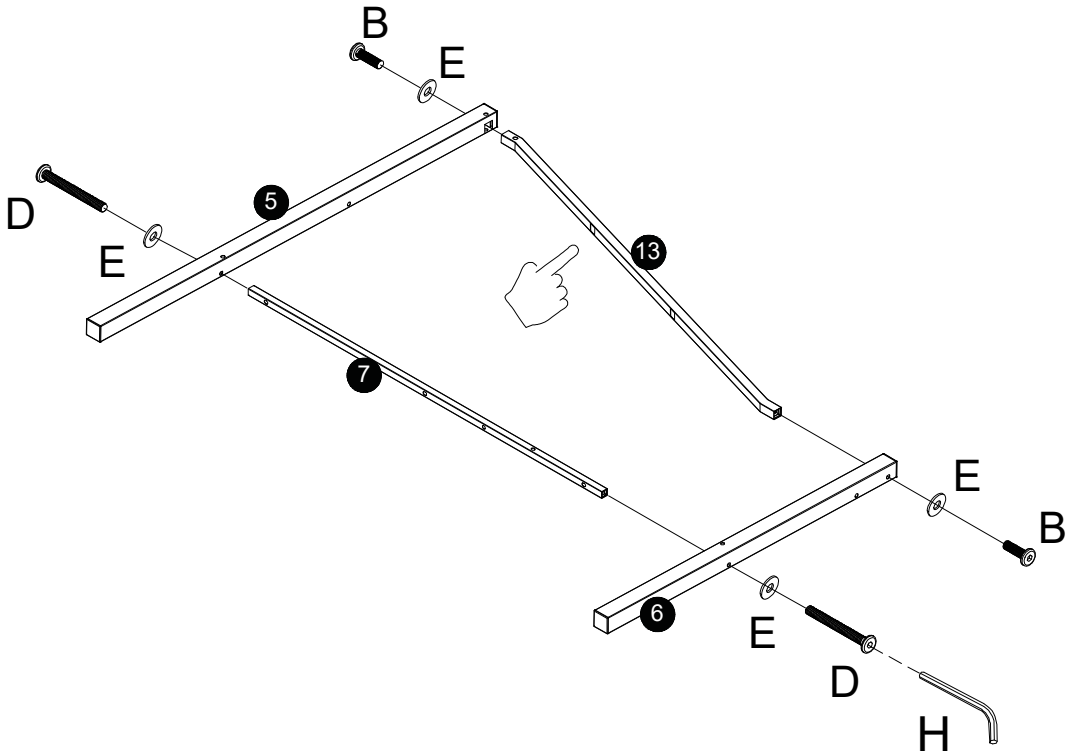
Before starting the assembly ,  
you must read the whole manual  
and follow the instructions .

It needs at least  
two people to install



1

Please pay attention to the direction of the hole position.



PARTS REQUIRED

5 6 7 13 x1


D M6\*60  
x2



B M6\*24  
x2

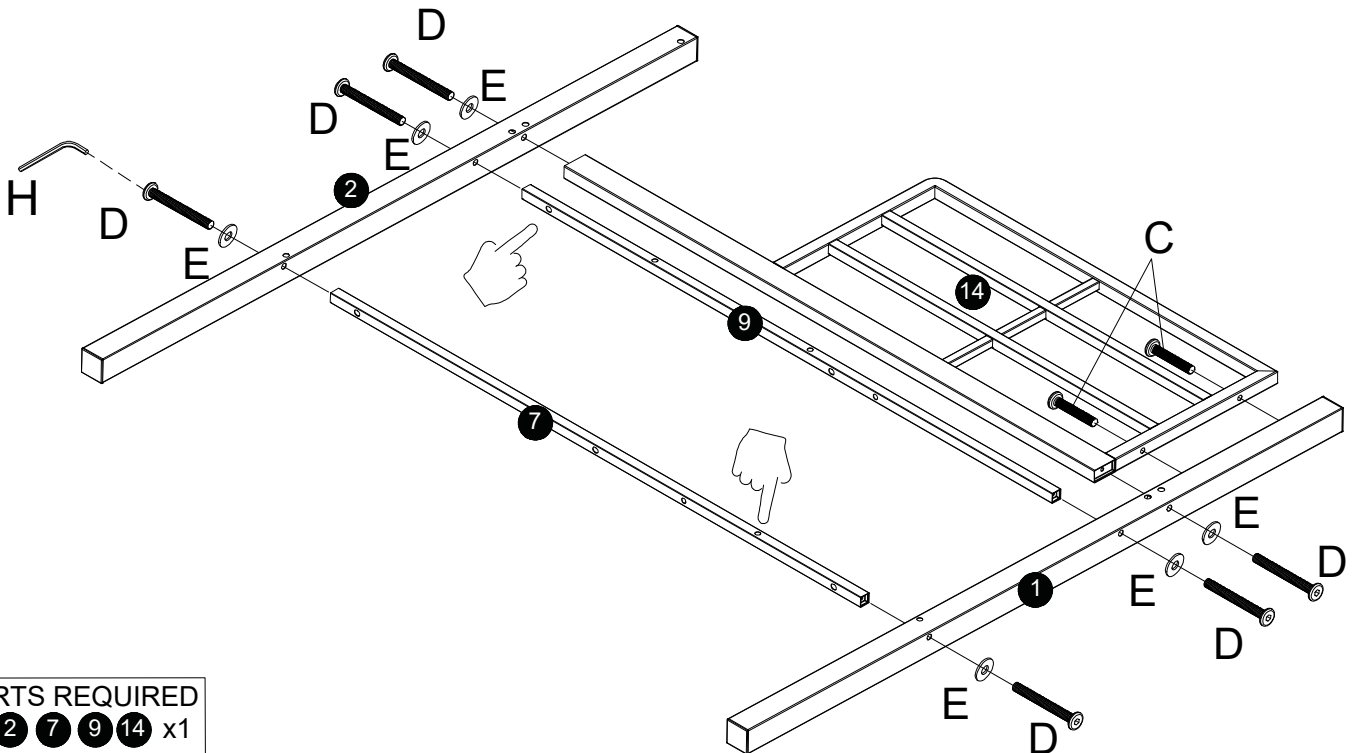


E M6 washer  
x4




Be careful not to overtighten the screws.

2




PARTS REQUIRED

1 2 7 9 14 x1

D M6\*60  
x6



E M6 washer  
x6

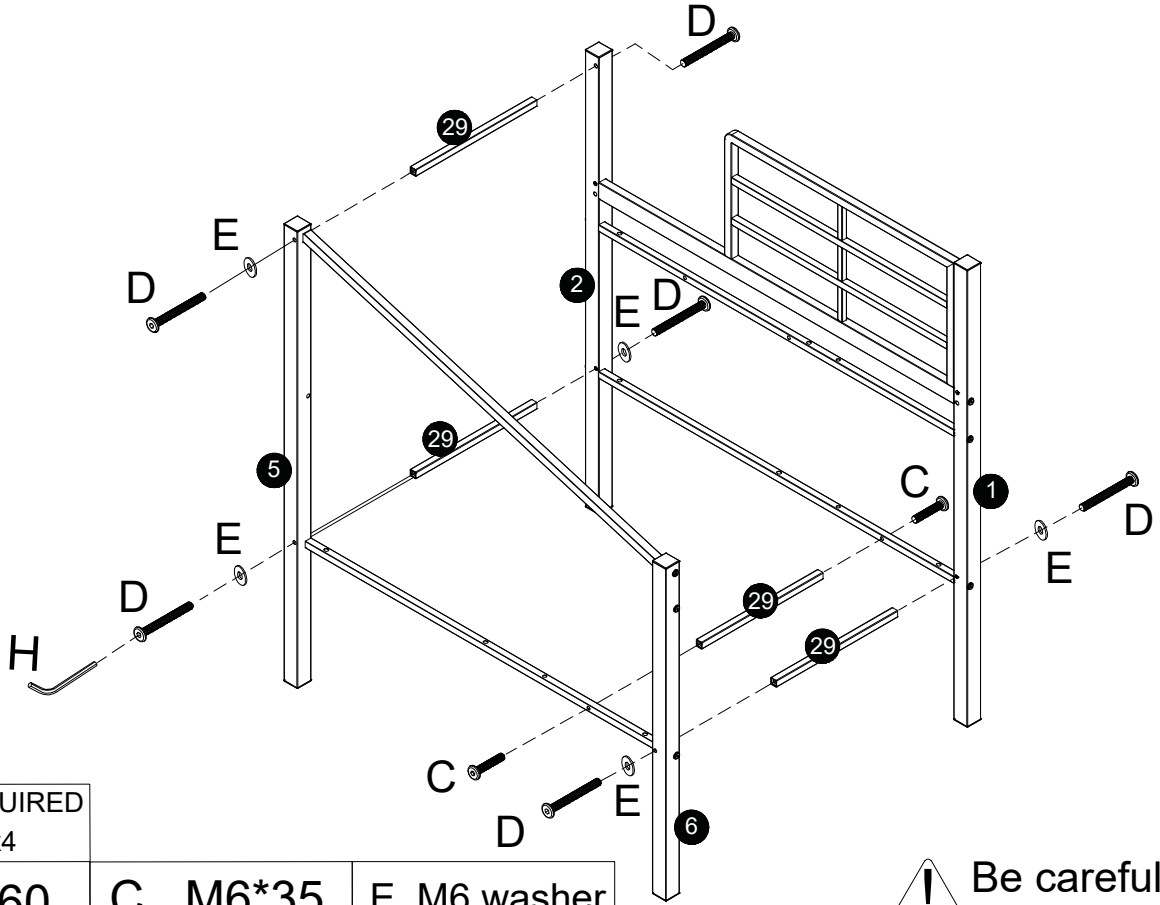


C M6\*35  
x2




Be careful not to overtighten the screws.

3



PARTS REQUIRED

29 x4

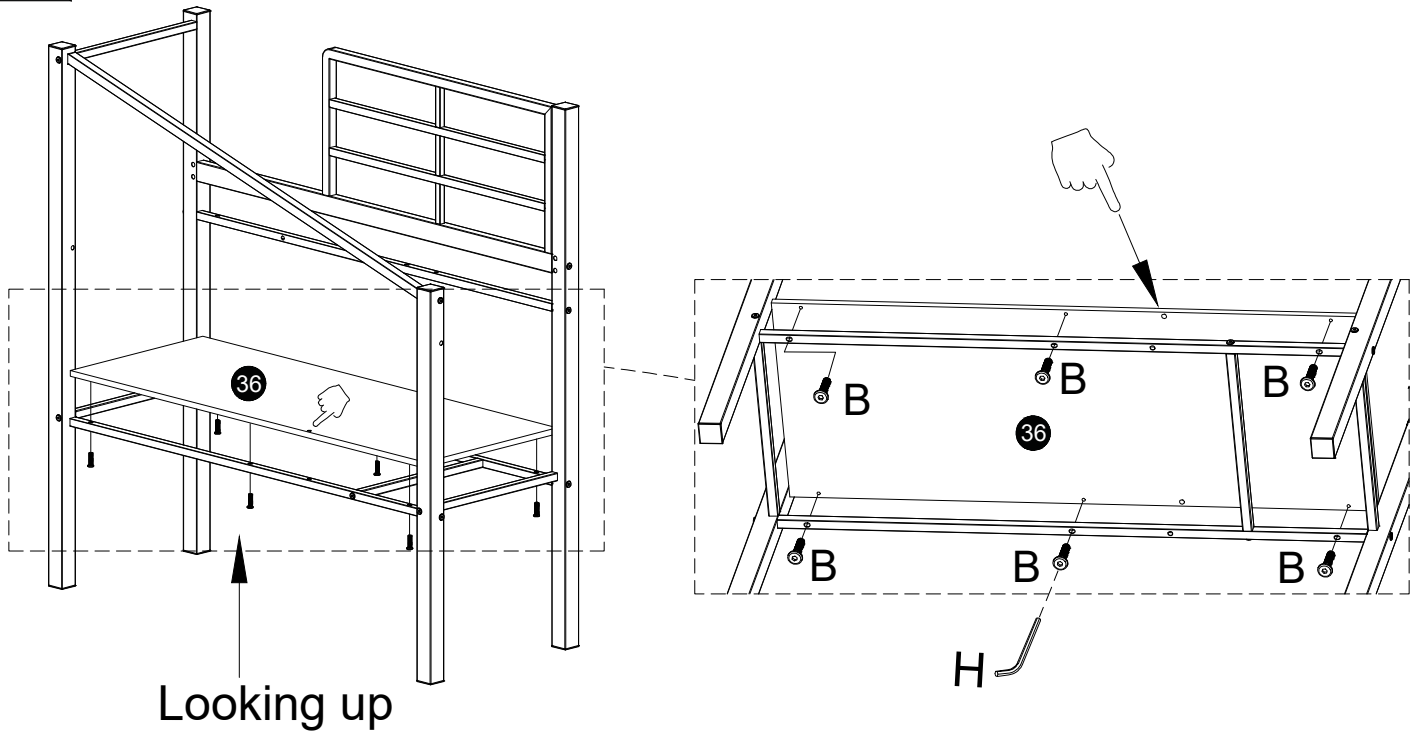
D M6\*60  
x6

C M6\*35  
x2

E M6 washer  
x5

Be careful not to overtighten the screws.

4



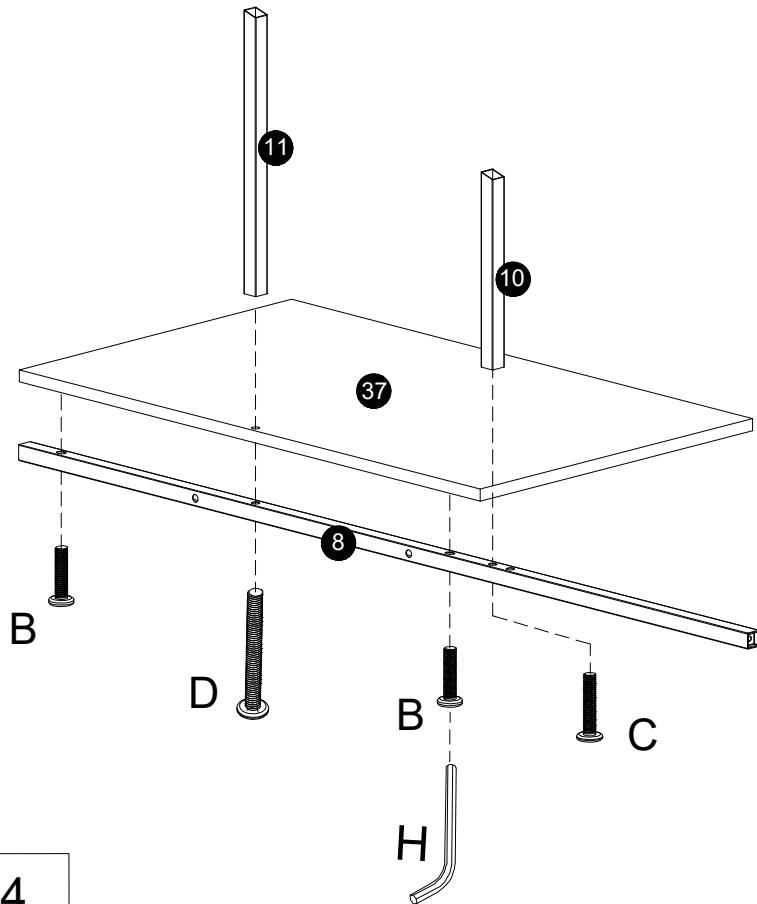
Looking up

B M6\*24  
x6


PARTS REQUIRED

36 x1


5




C M6\*35  
x1



D M6\*60  
x1



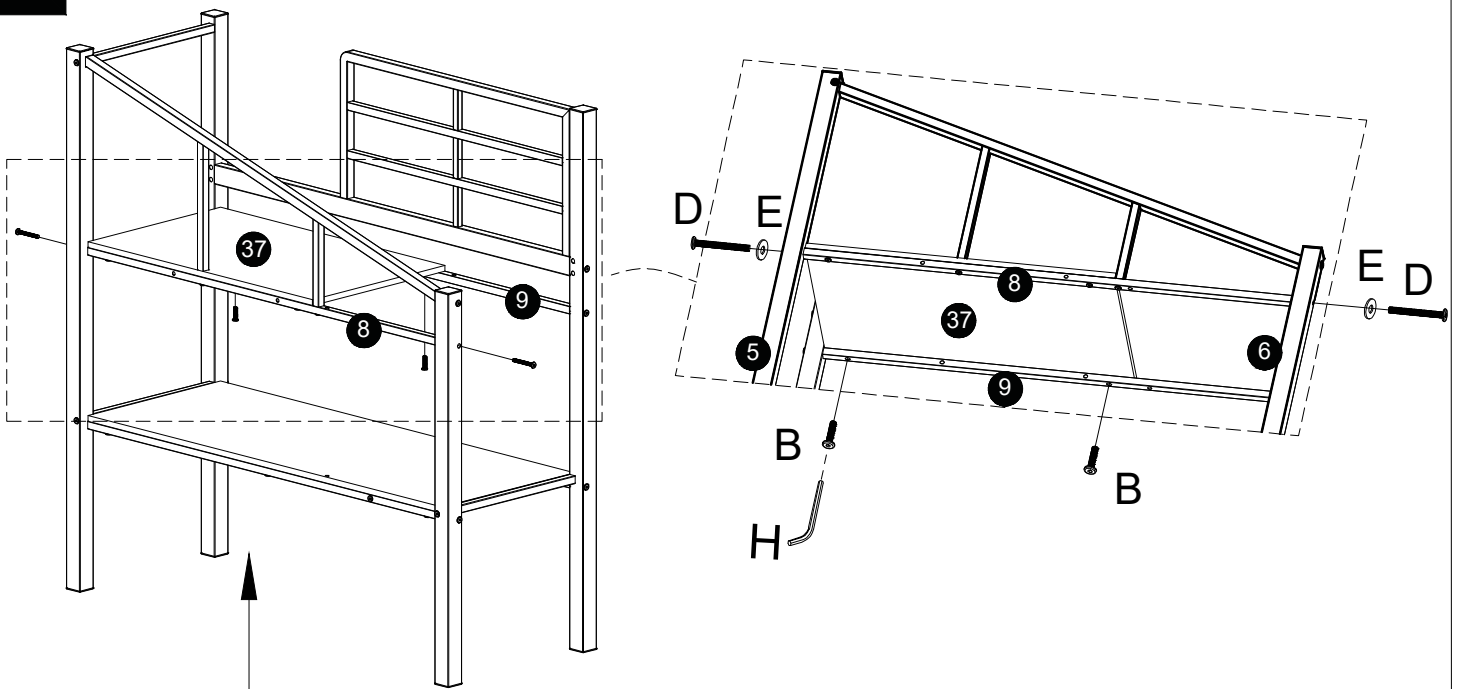
B M6\*24  
x2



PARTS REQUIRED


8 10 11 37 x1

6




Looking up

D M6\*60  
x2



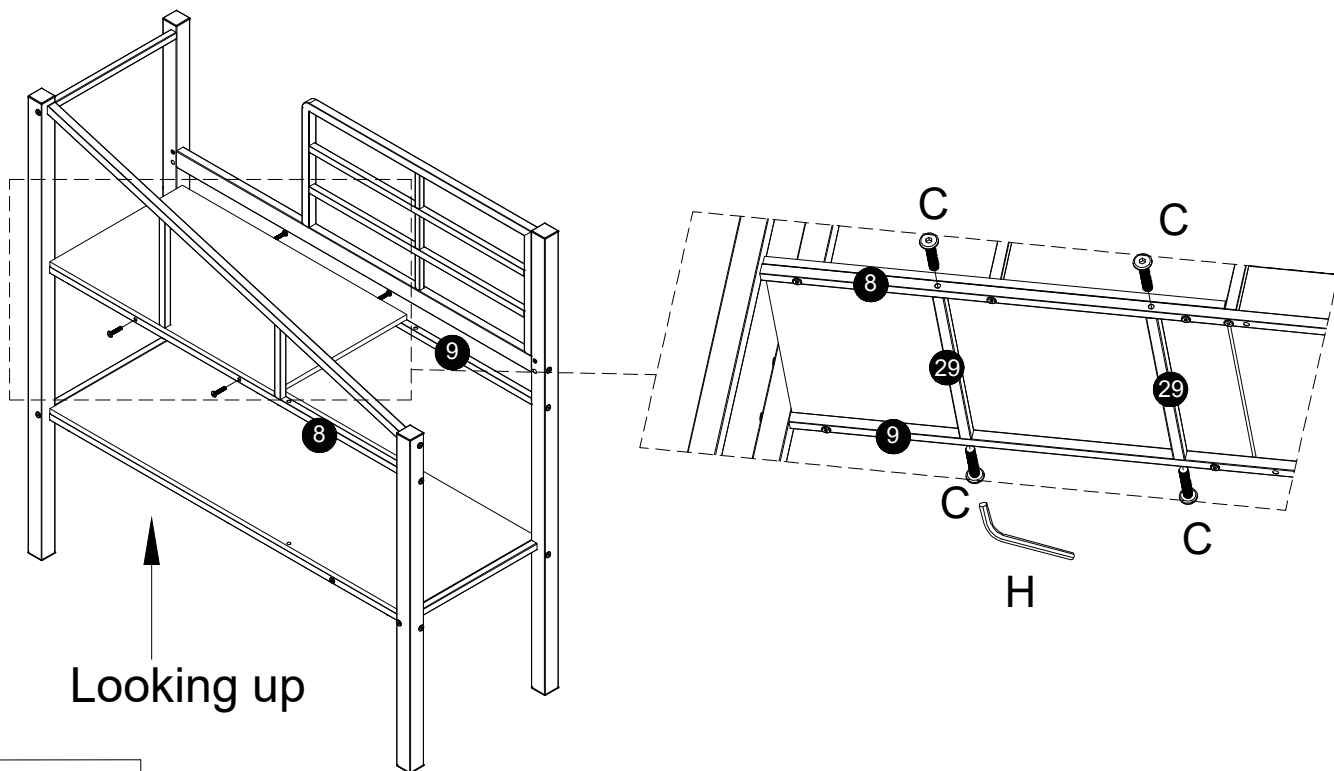
E M6 washer  
x2



B M6\*24  
x2



7



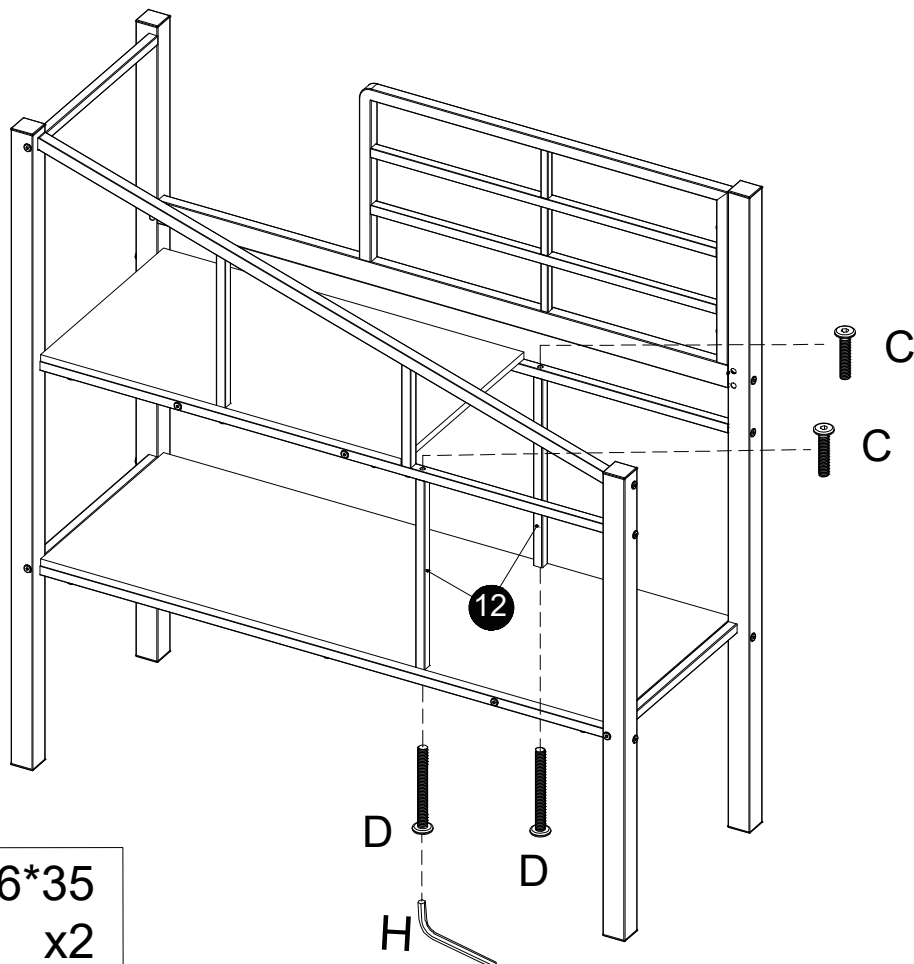
C M6\*35  
x4



PARTS REQUIRED

29 x2

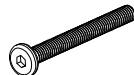
8



PARTS REQUIRED

12 x2

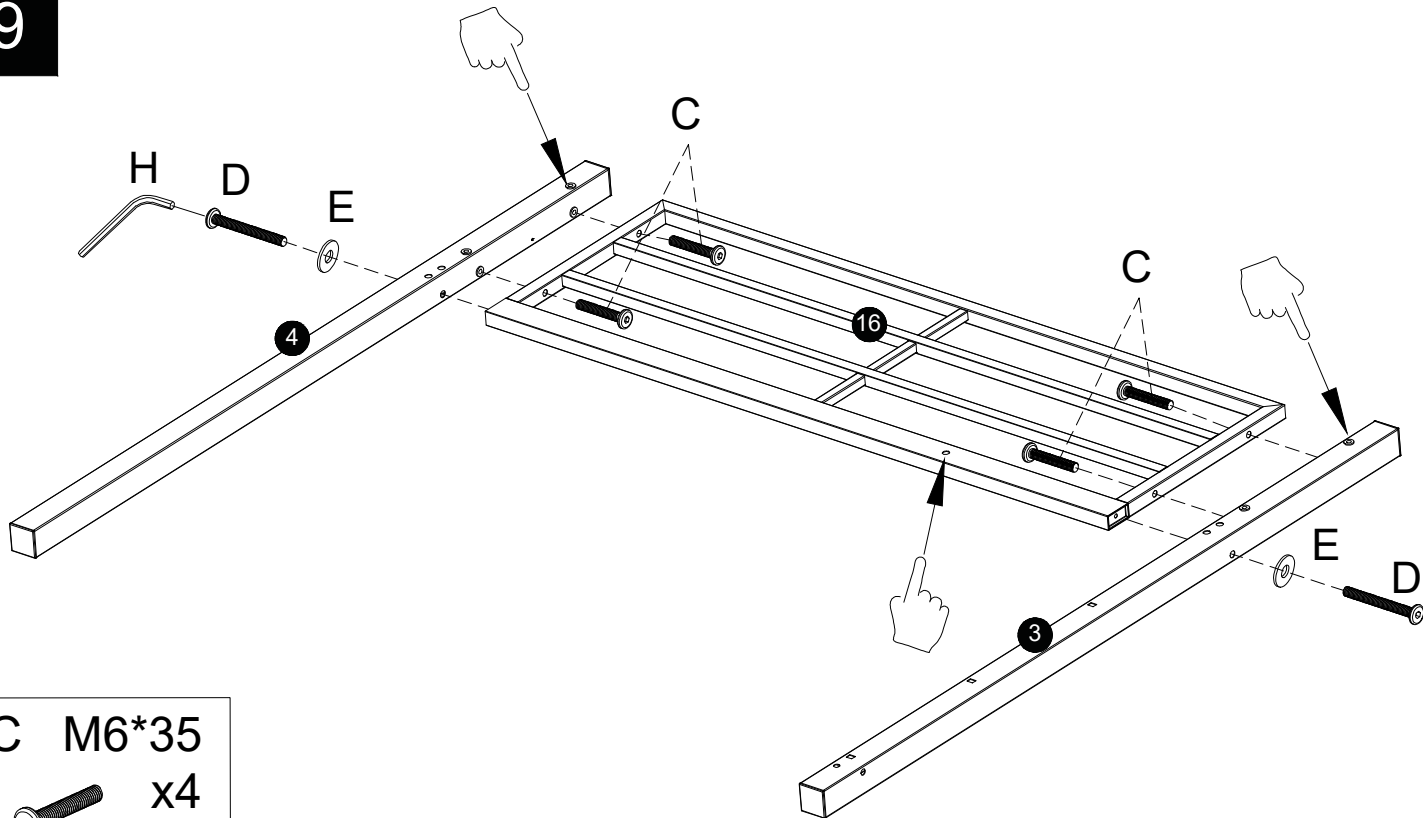
D M6\*60  
x2



C M6\*35  
x2



9



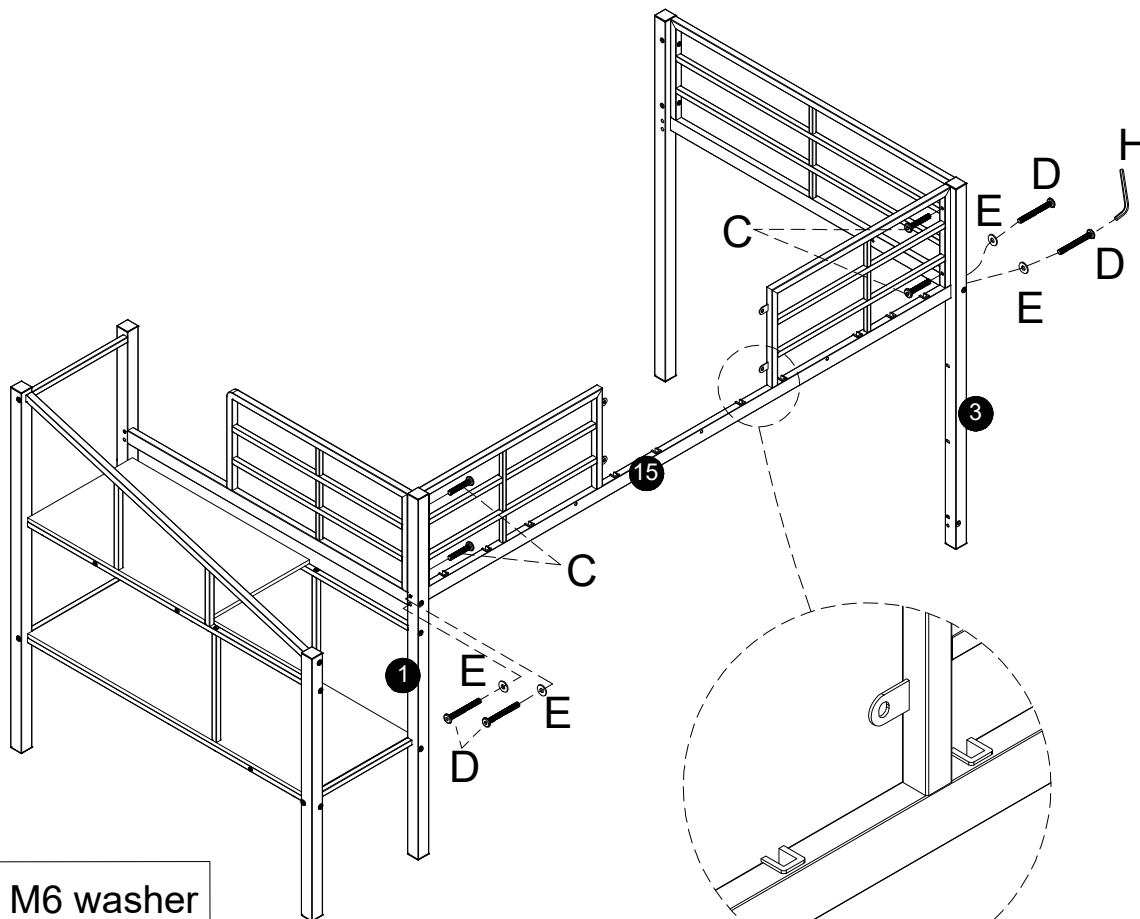
C M6\*35  
x4

D M6\*60  
x2

E M6 washer  
x2

PARTS REQUIRED  
3 4 16 x1

10



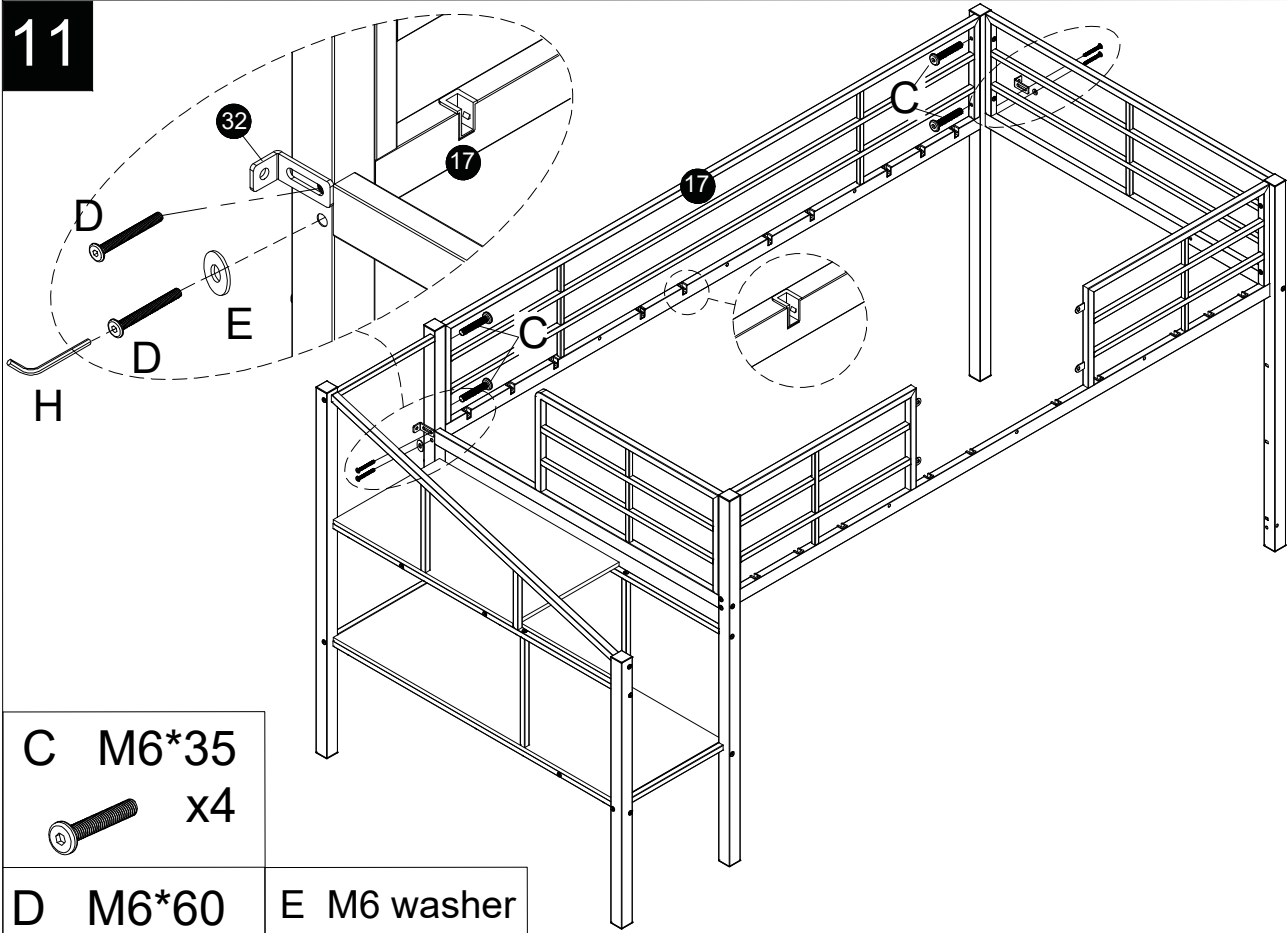
C M6\*35  
x4

D M6\*60  
x4

E M6 washer  
x4

PARTS REQUIRED  
15 x1

11



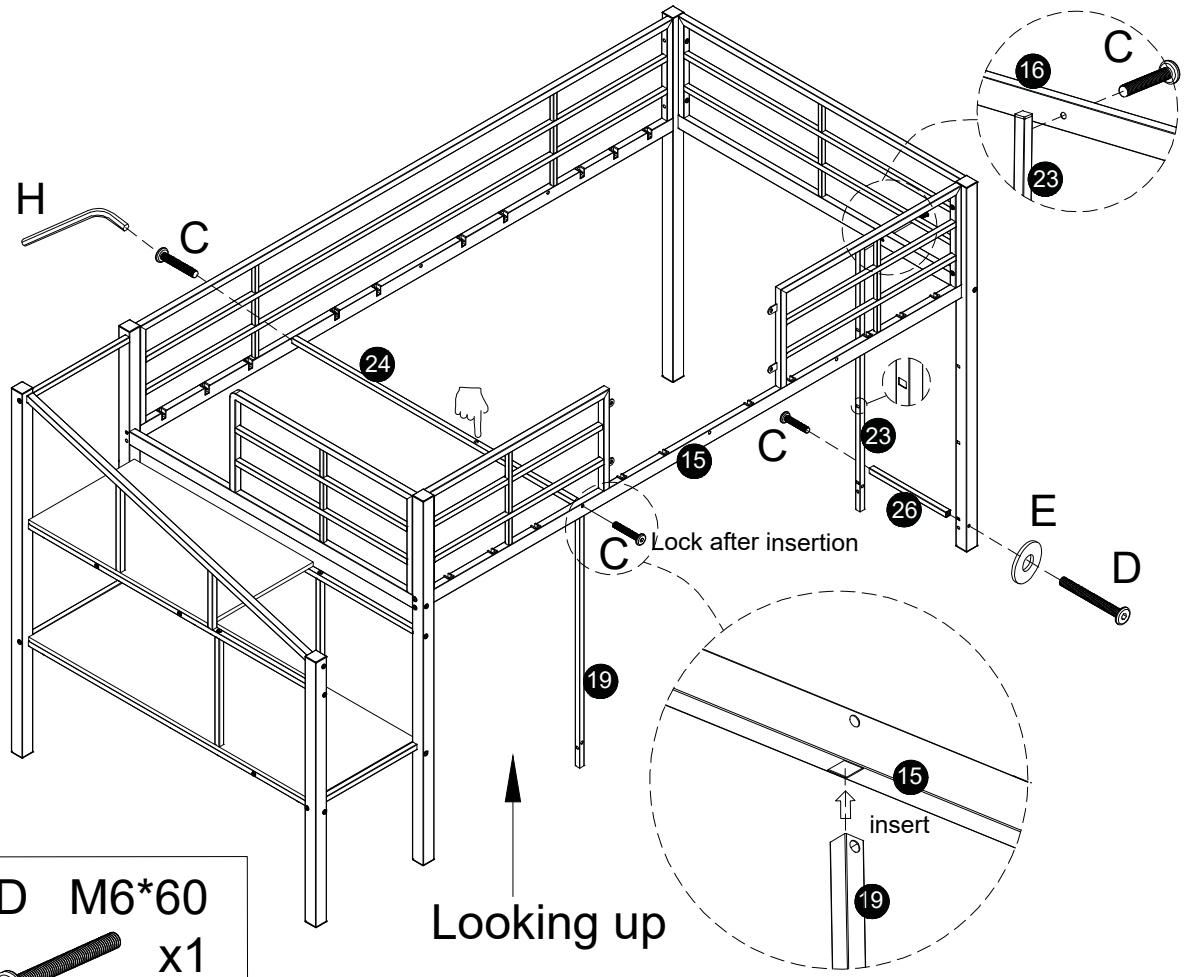
C M6\*35  
x4

D M6\*60  
x4

E M6 washer  
x2

PARTS REQUIRED  
17x1 32x2

12



PARTS REQUIRED  
19 23 24 26 x1

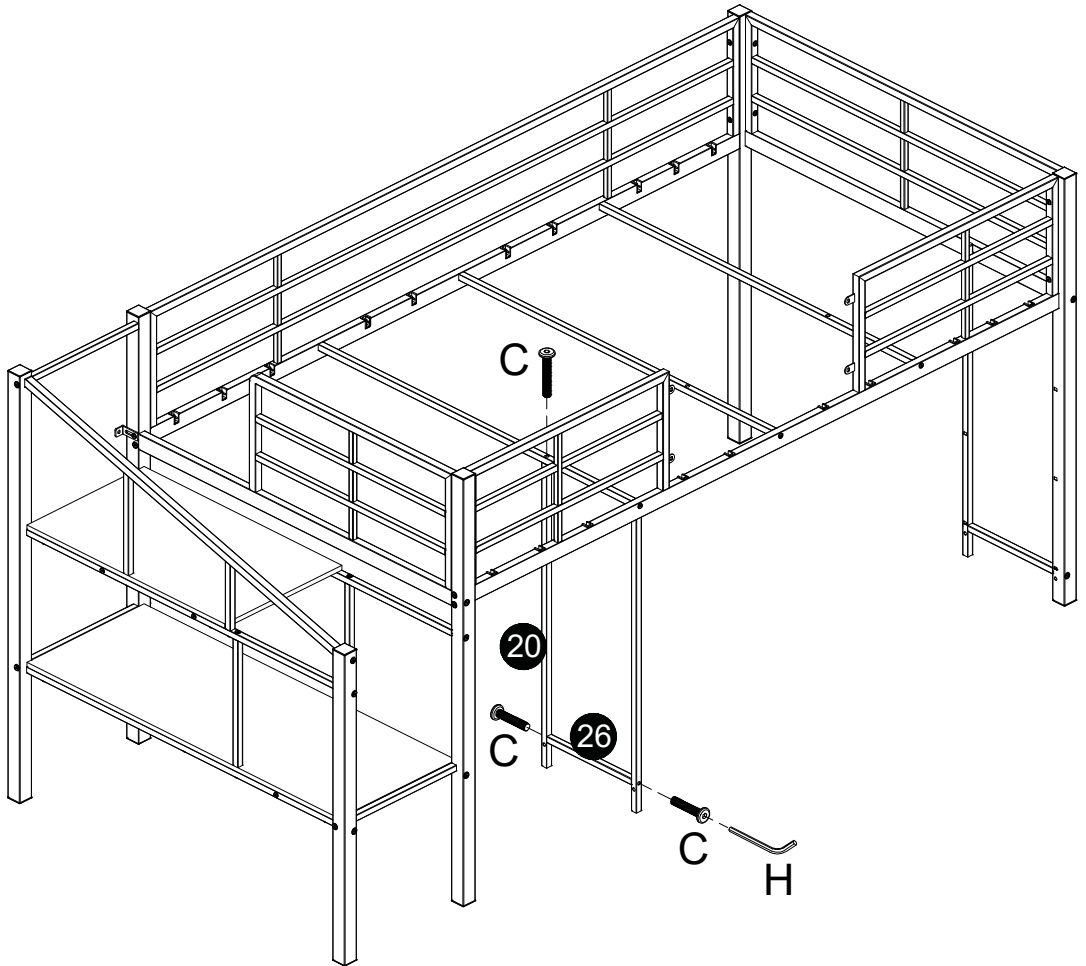
E M6 washer  
x1

C M6\*35  
x4

D M6\*60  
x1

Looking up

13

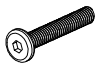


PARTS REQUIRED

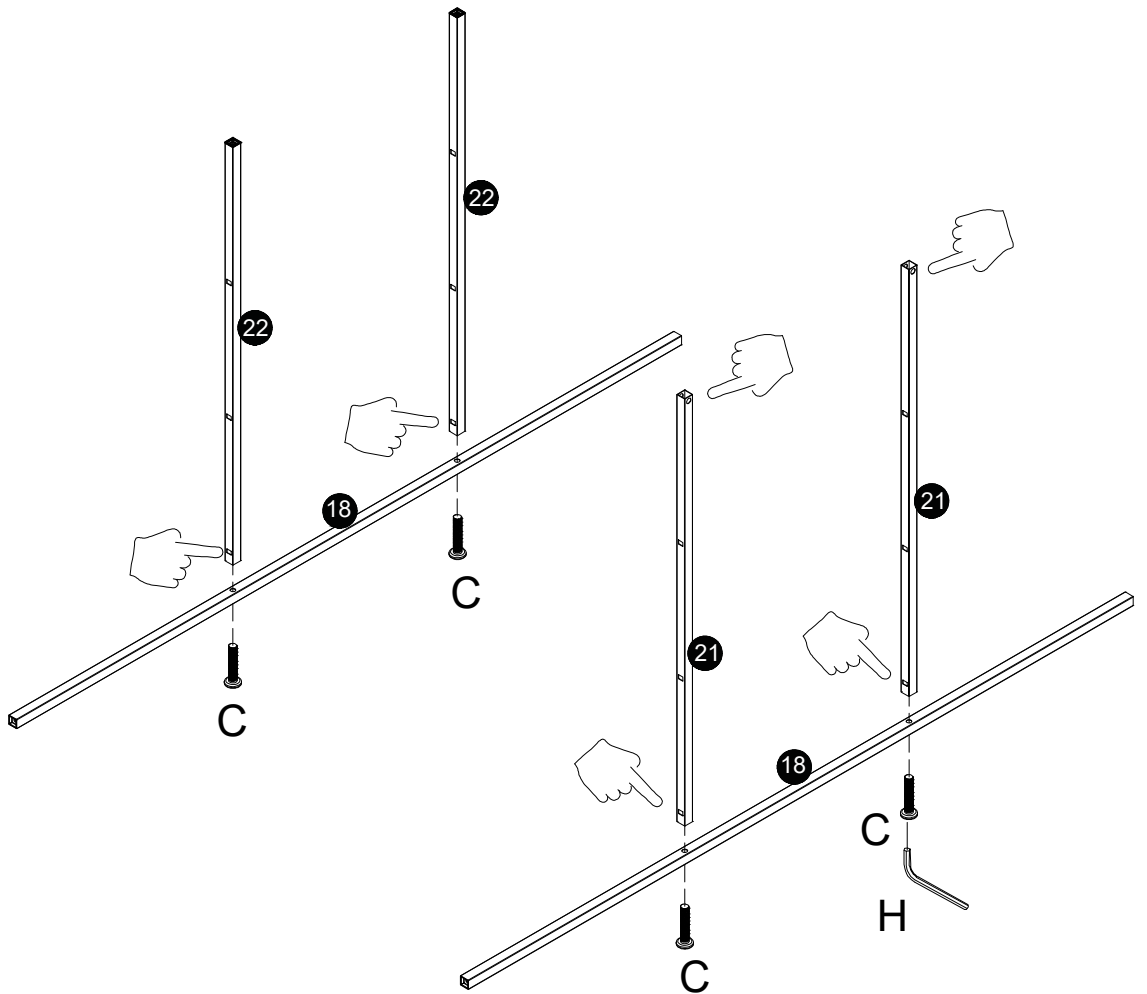
20 26x1

C M6\*35

x3



14



PARTS REQUIRED

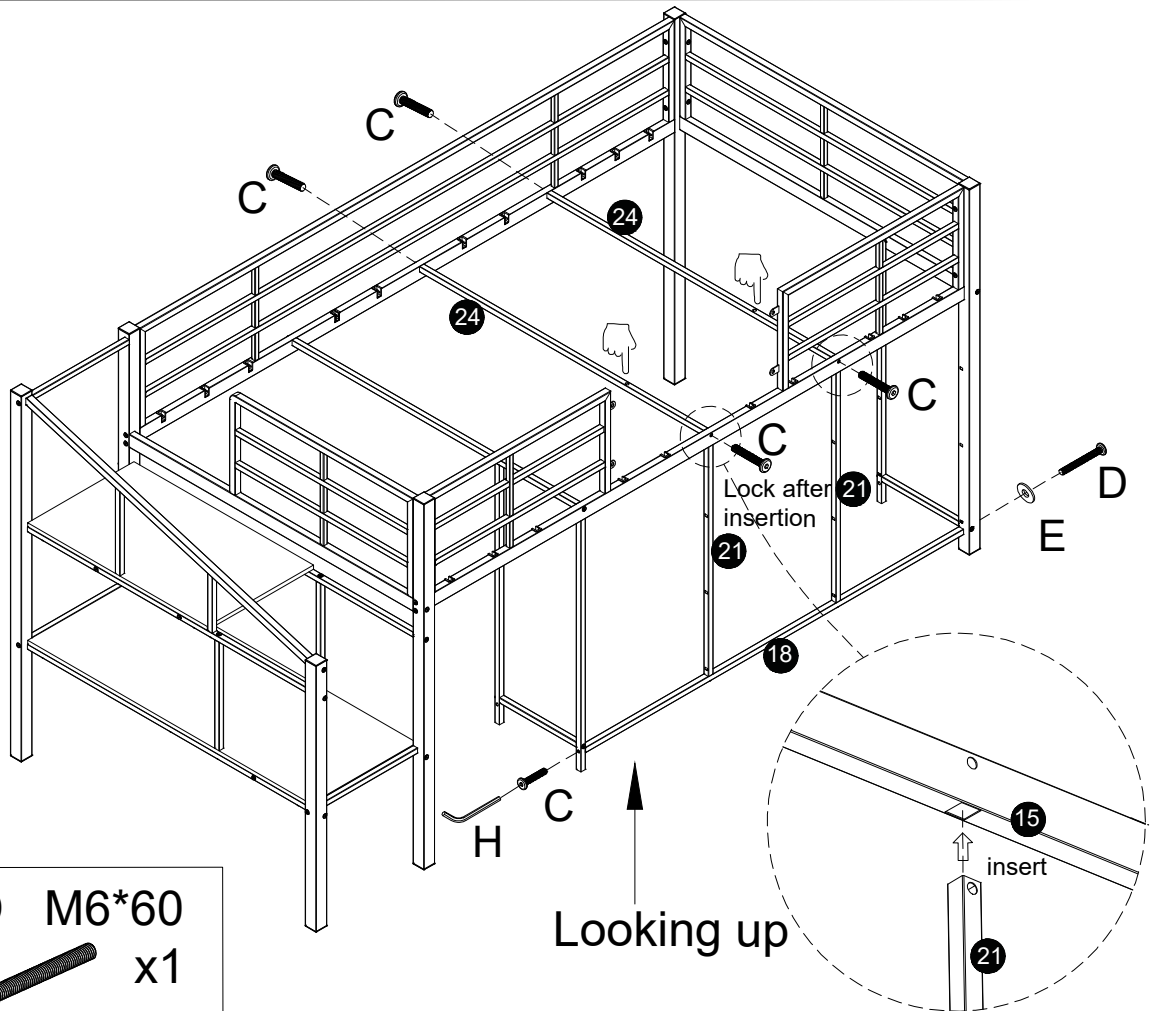
18 21 22x2

C M6\*35

x4



15



PARTS REQUIRED

24 x2

E M6 washer

x1

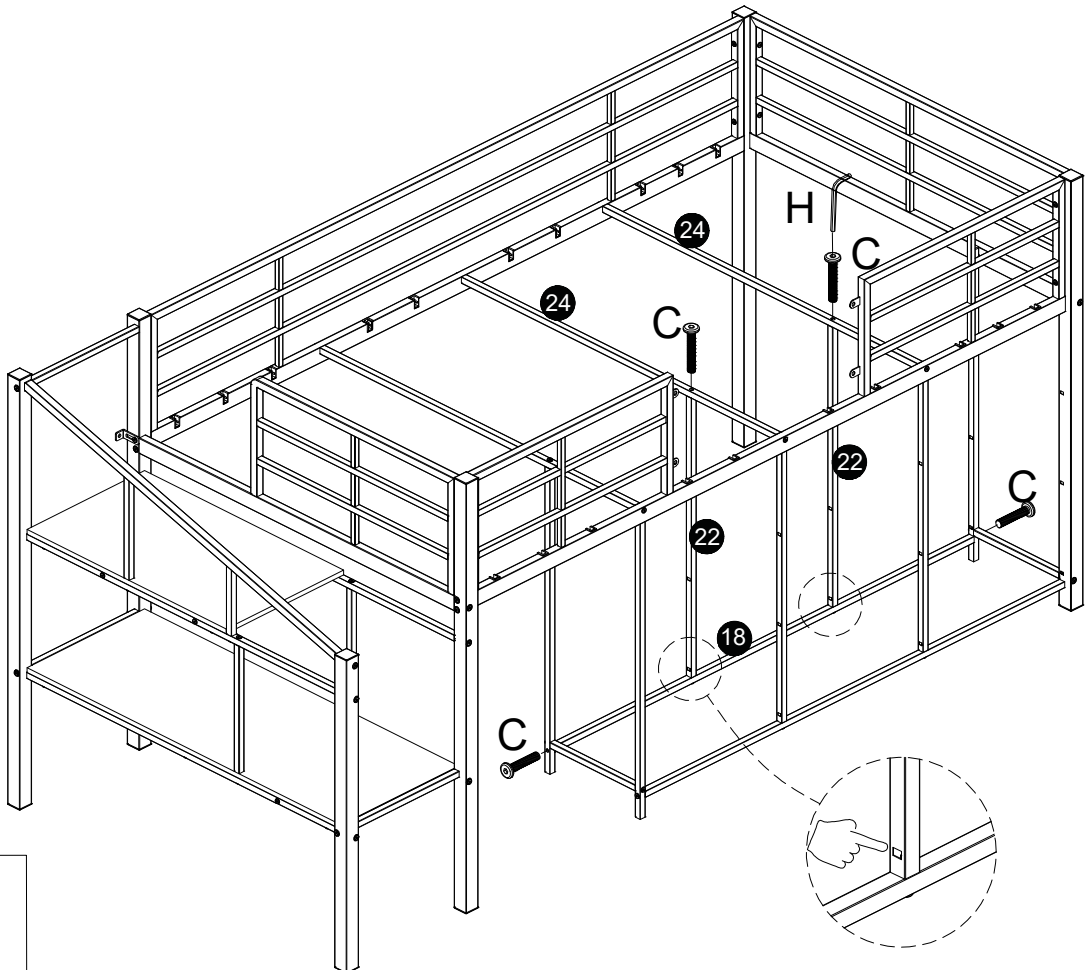
C M6\*35

x5

D M6\*60

x1

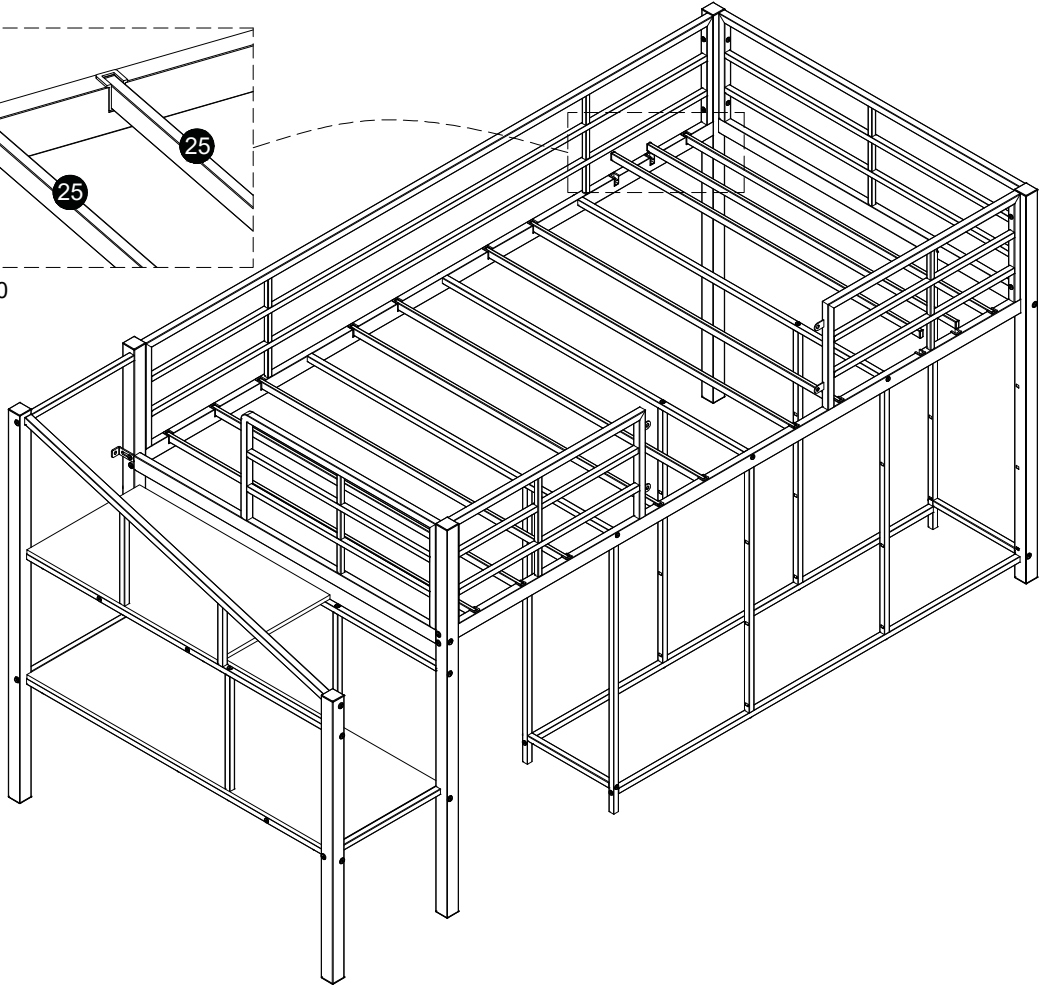
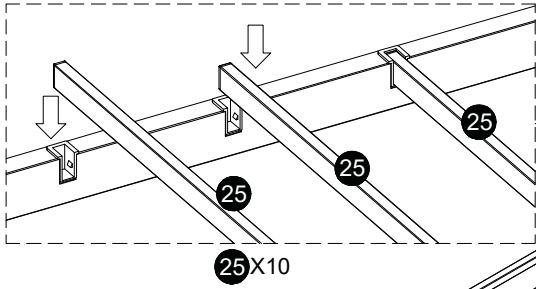
16



C M6\*35

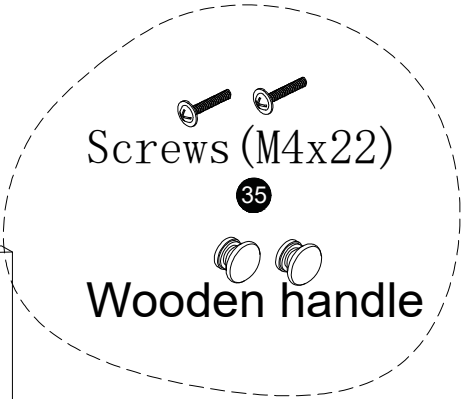
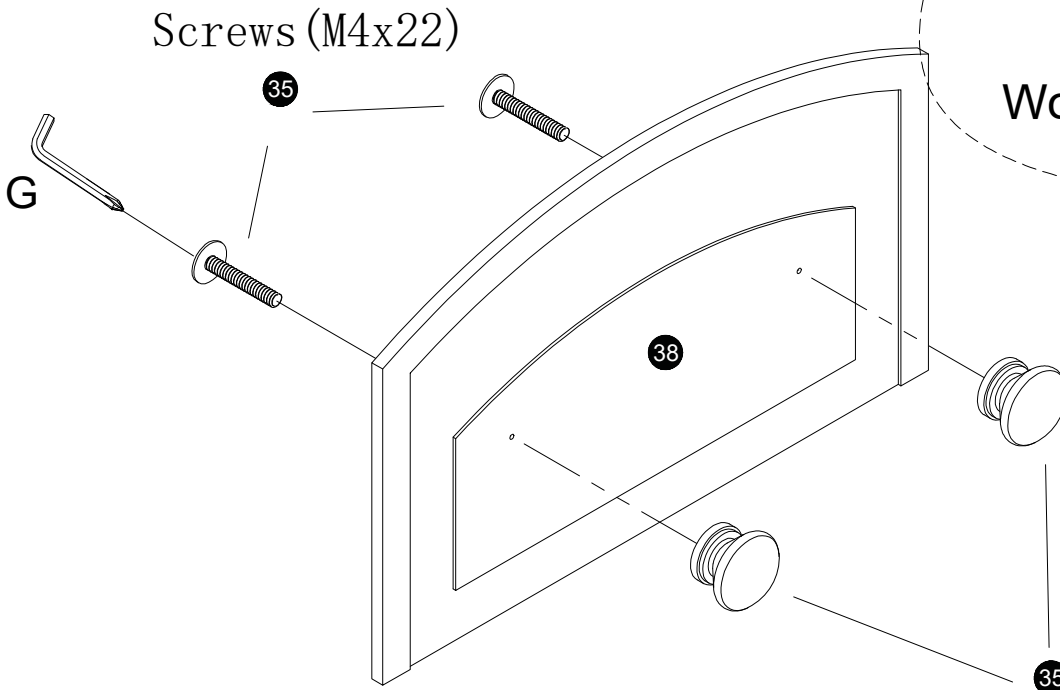
x4

17



PARTS REQUIRED  
 25x10

18



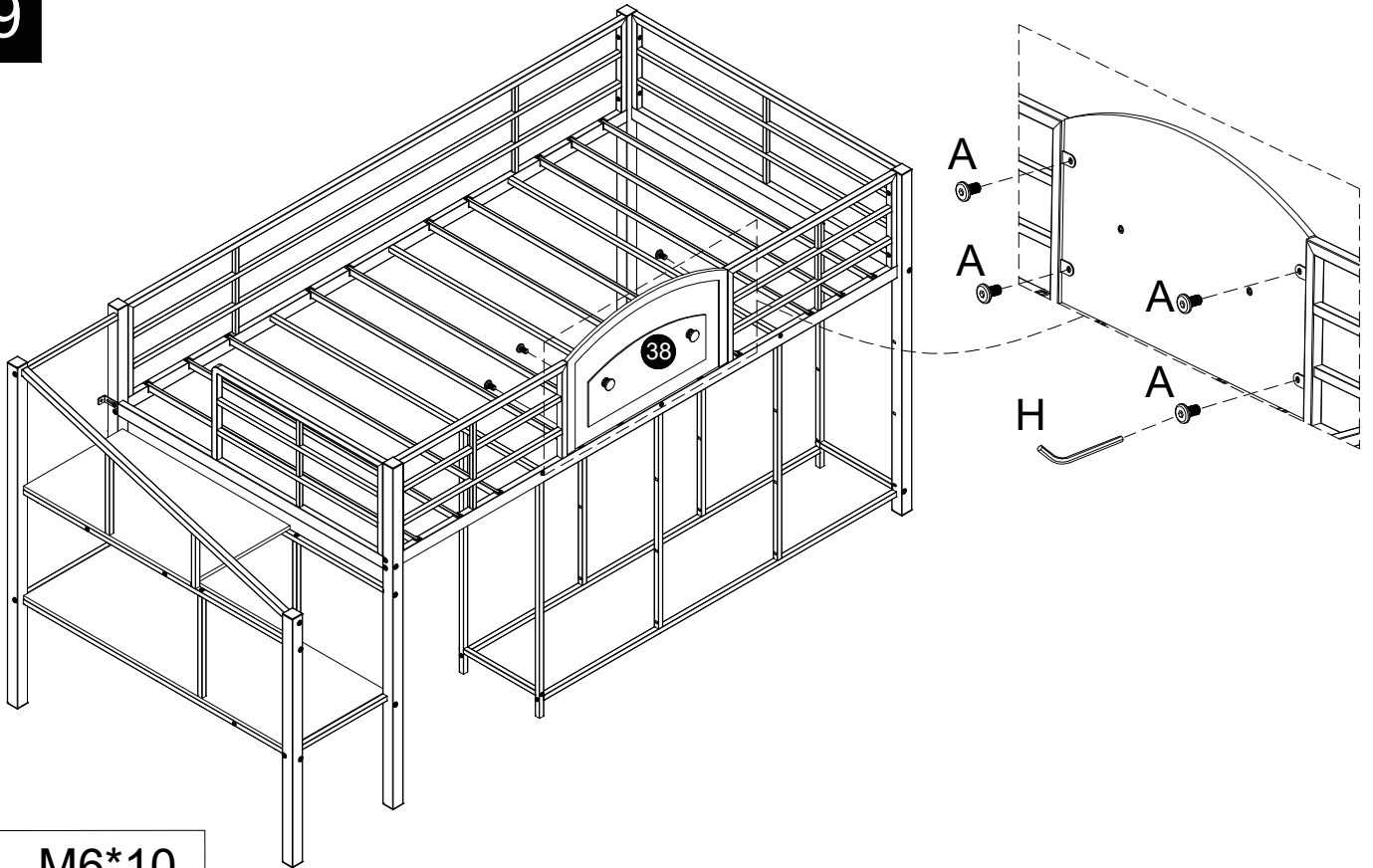
Screws (M4x22)


Wooden handle

Wooden handle

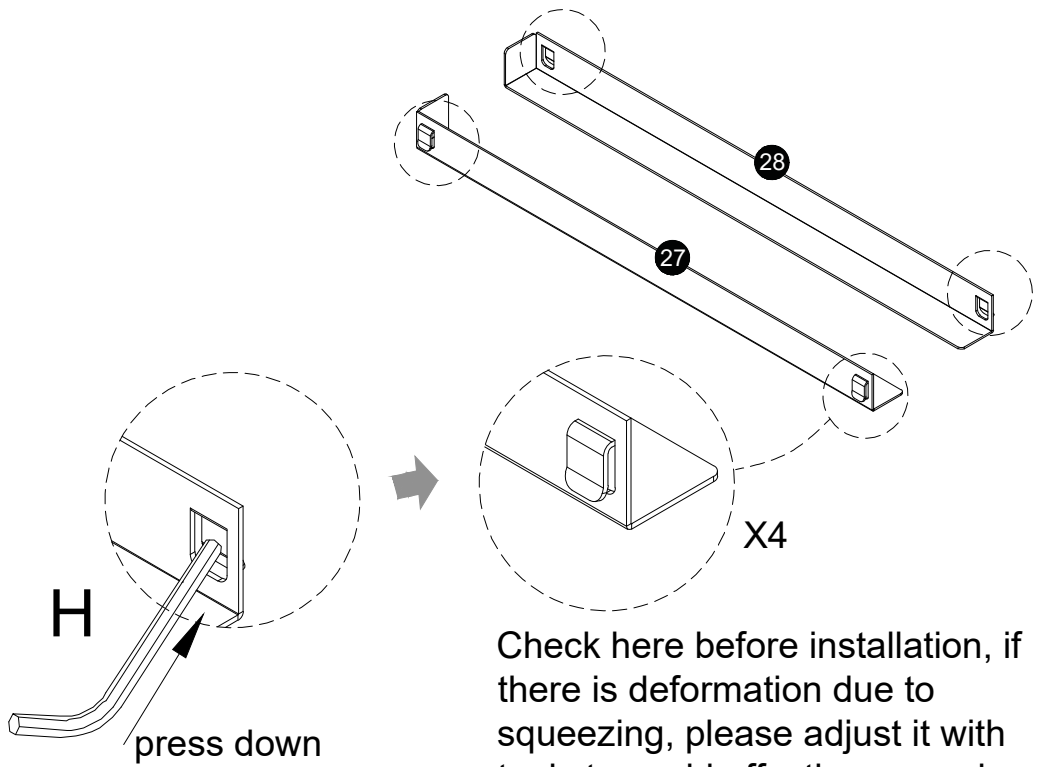
PARTS REQUIRED  
 35 38 x1

19



A M6\*10  
 x4

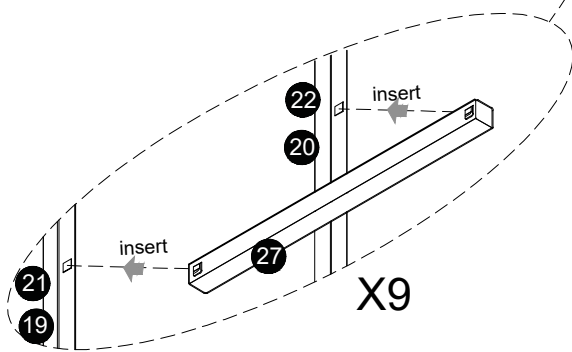
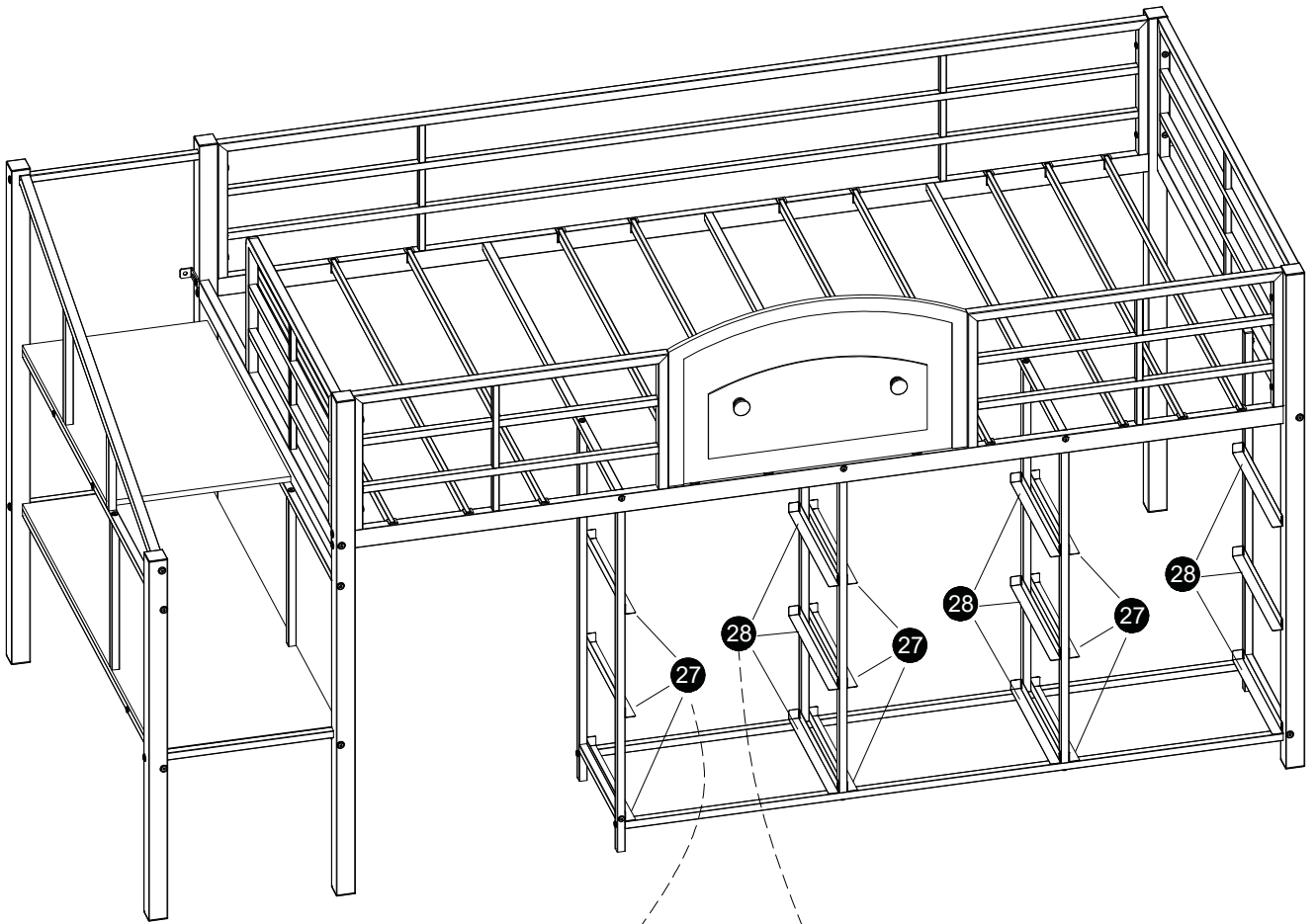
20



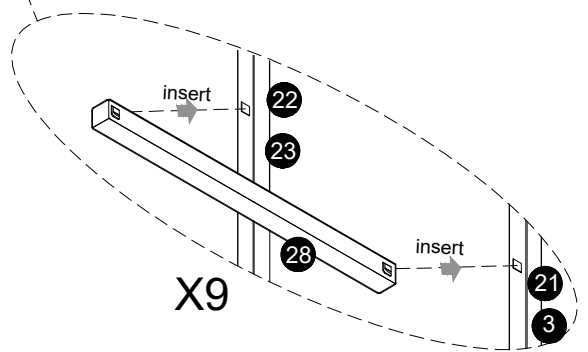
Please fine-tune in this direction to make it easier to install.

Check here before installation, if there is deformation due to squeezing, please adjust it with tools to avoid affecting normal installation.

PARTS REQUIRED  
 27 28 x9



Insert the square hole  
in the direction of the  
Arrow and press down

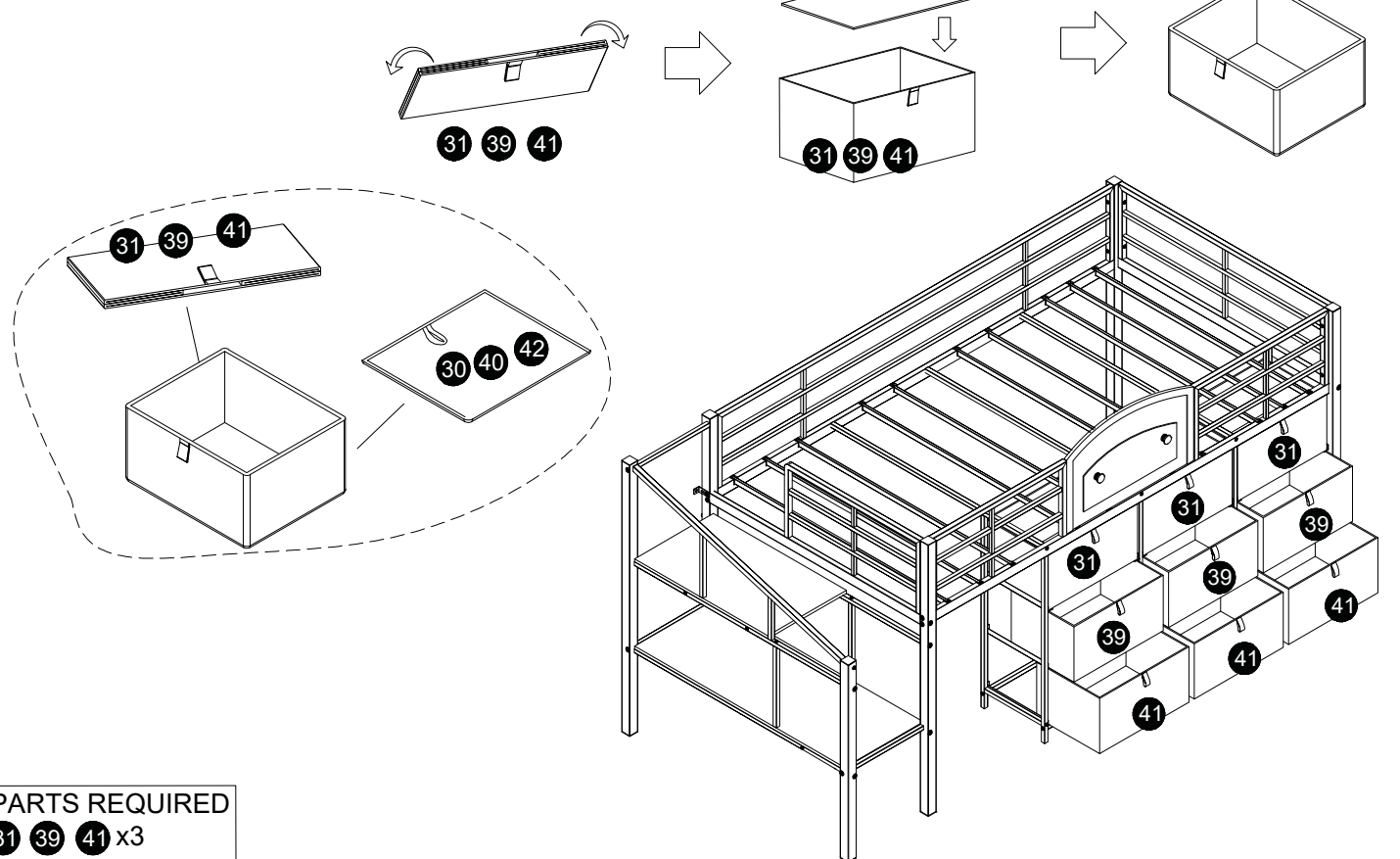


Insert the square hole  
in the direction of the  
Arrow and press down

# 22

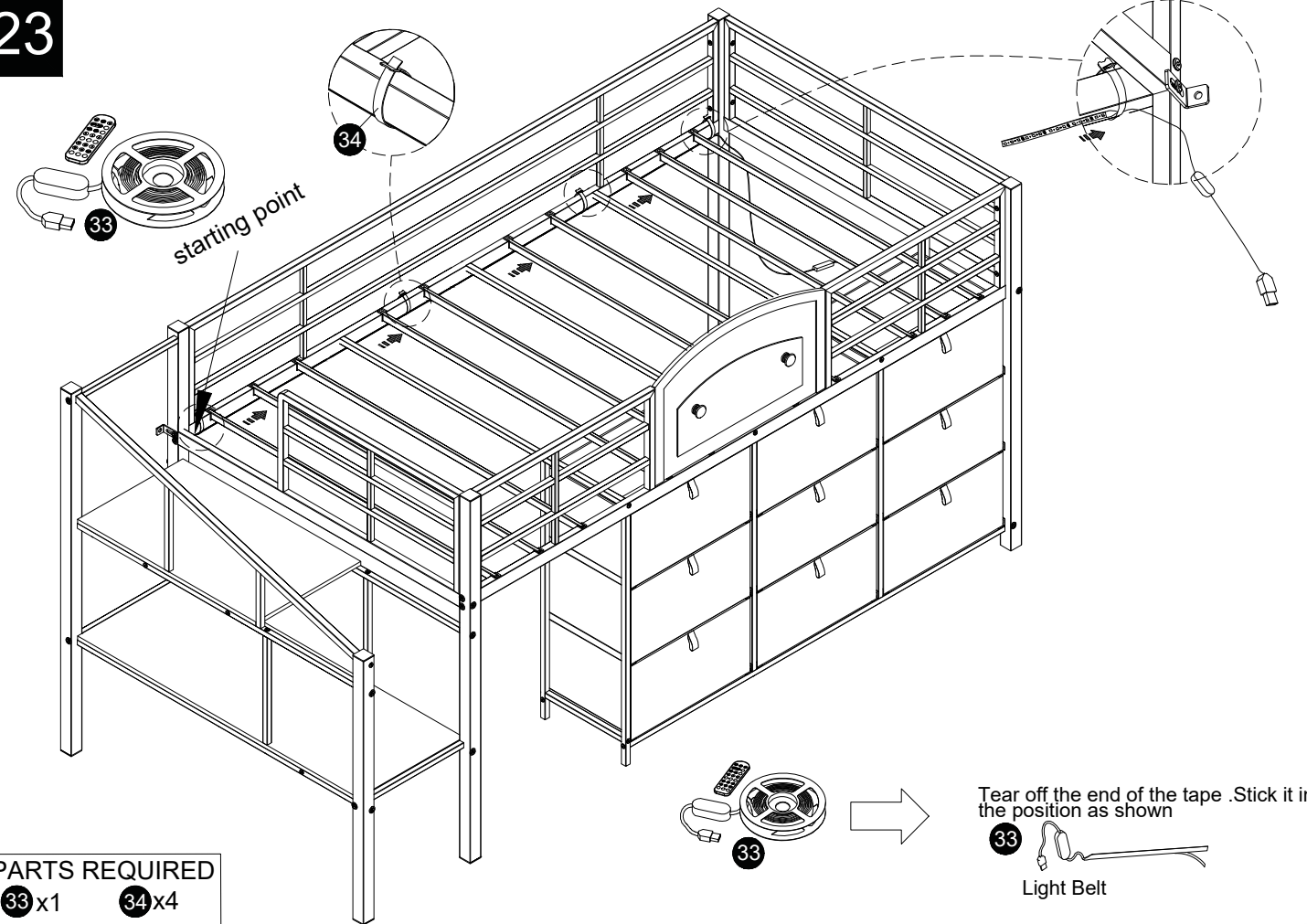
Step:a

Step:b



- PARTS REQUIRED**  
 31 39 41 x3  
 30 40 42 x3

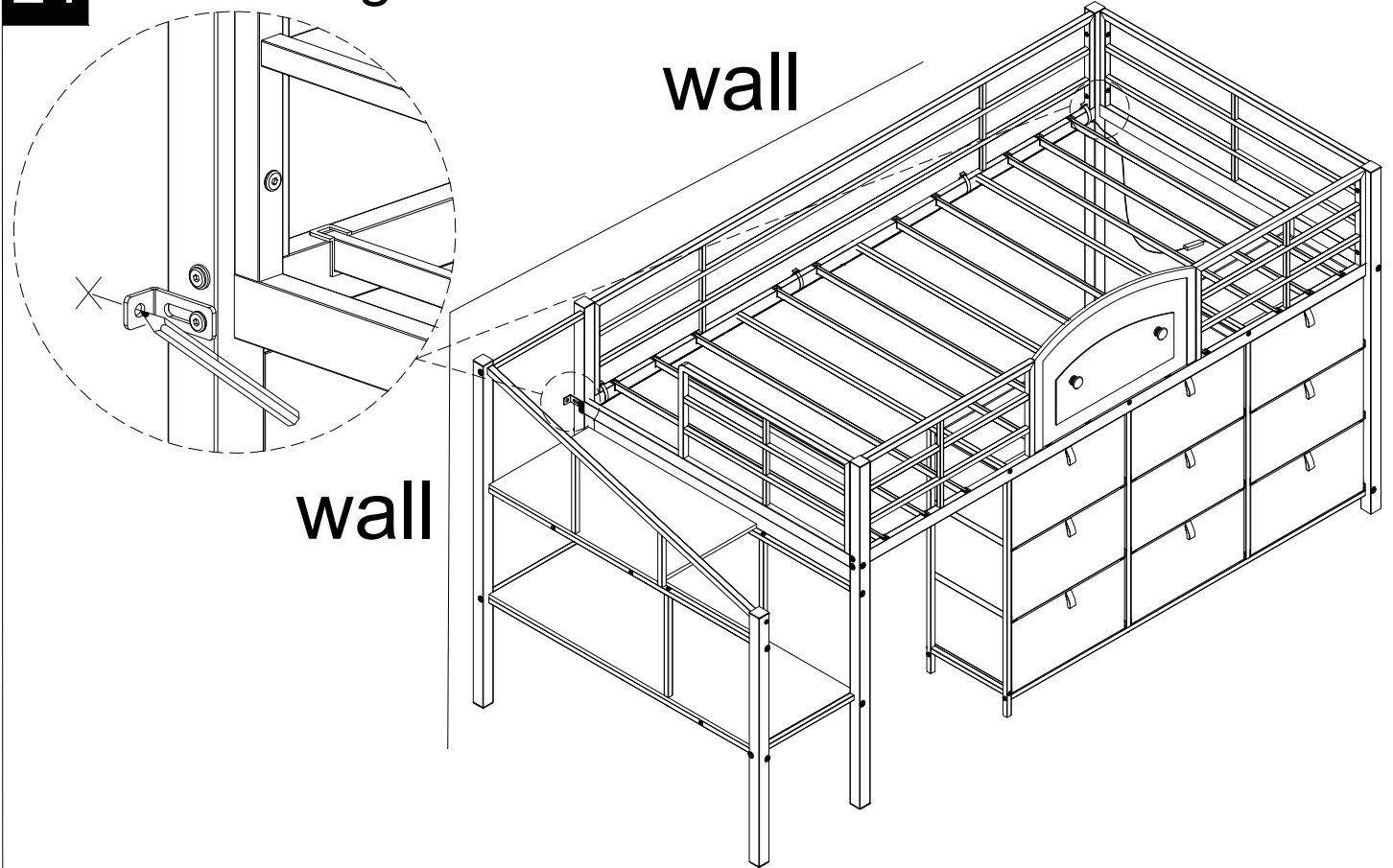
# 23



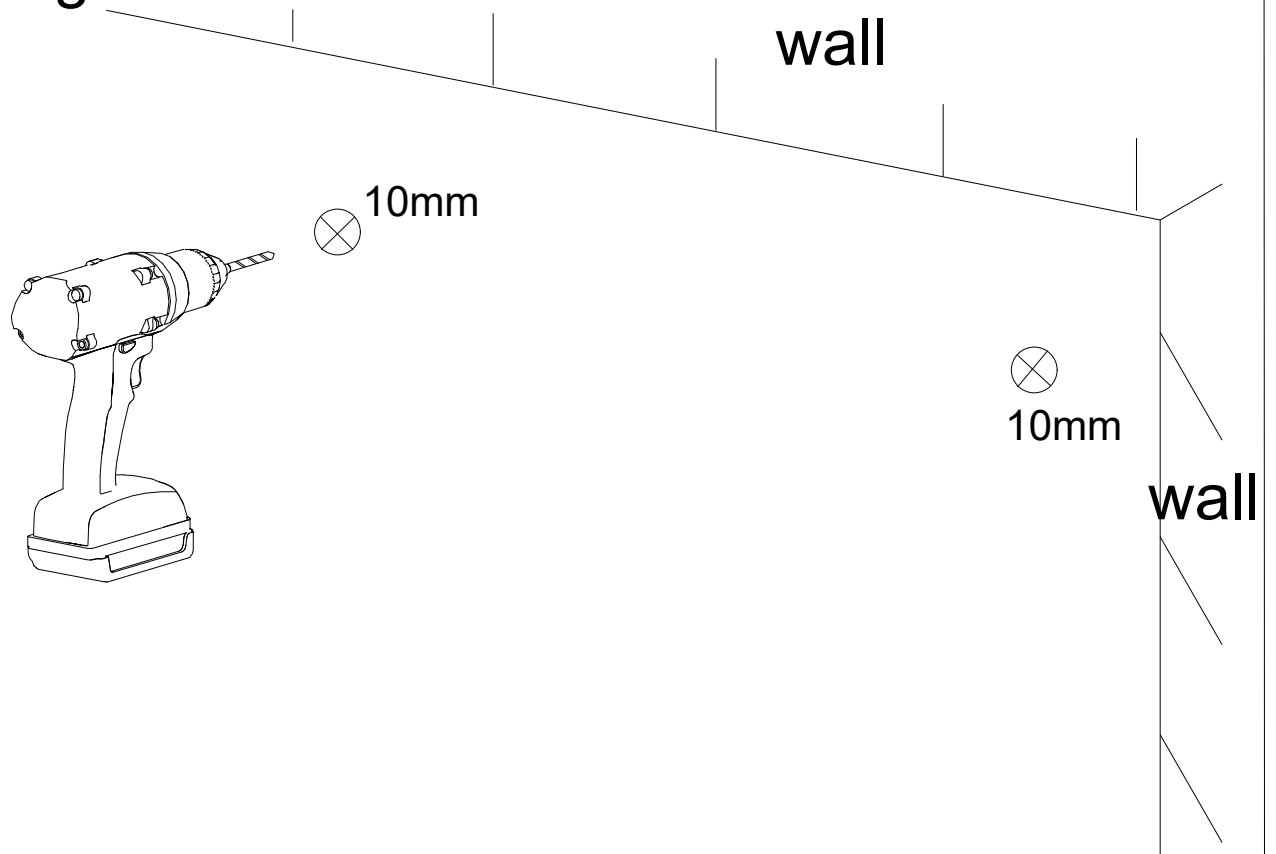
- PARTS REQUIRED**  
 33 x1    34 x4

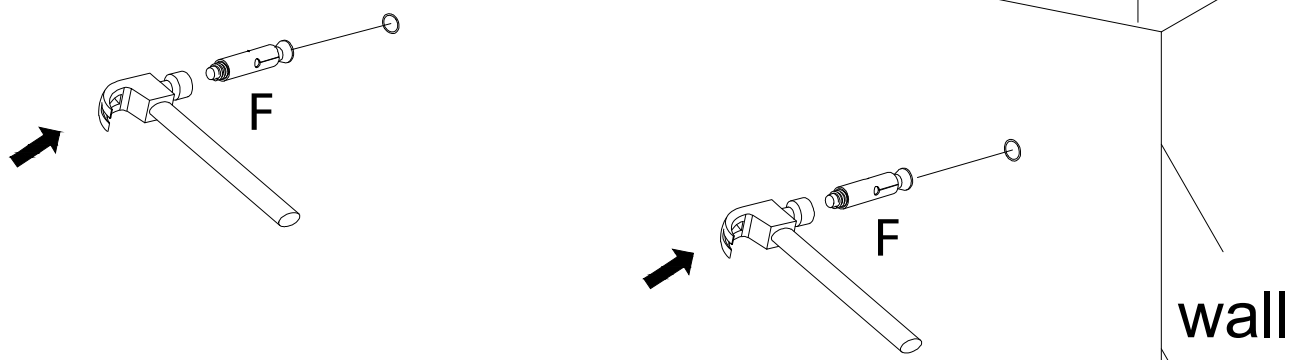
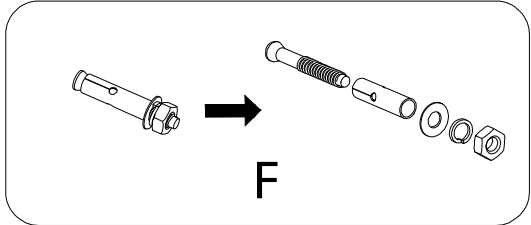
Tear off the end of the tape .Stick it in the position as shown  
 33 Light Belt

## 24 Positioning

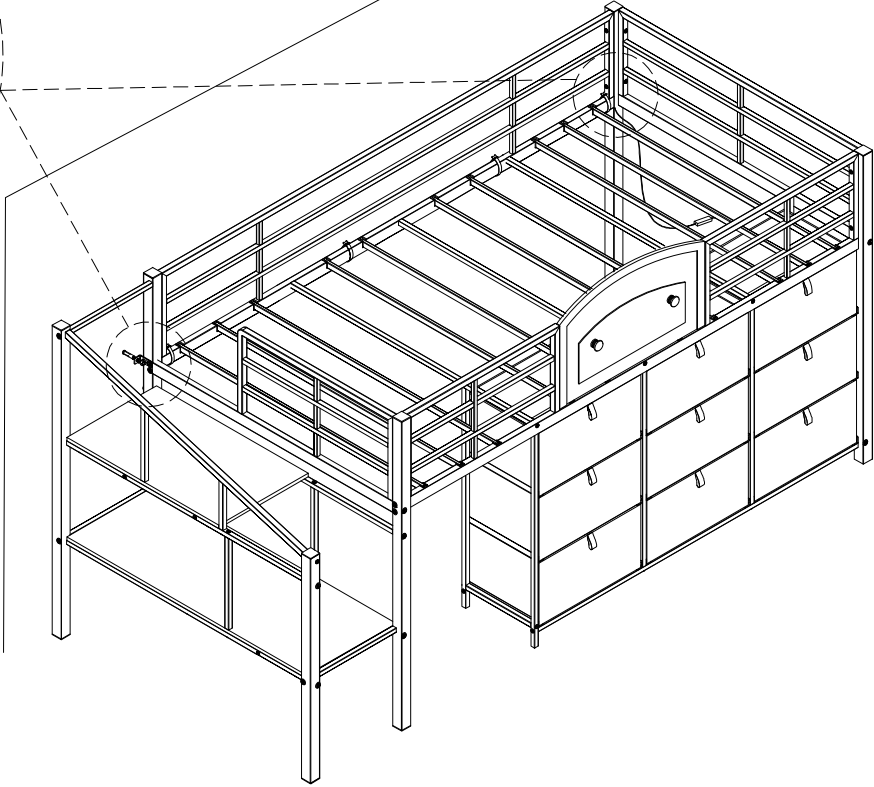
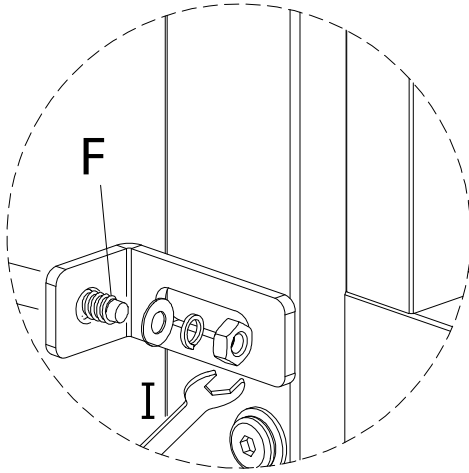


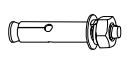
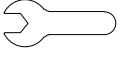
## 25 Drilling






Please lock the expansion screw onto the wall.



F M6*75  X2	I M6  X1
---	--

 Tighten the screws that were not tightened before.