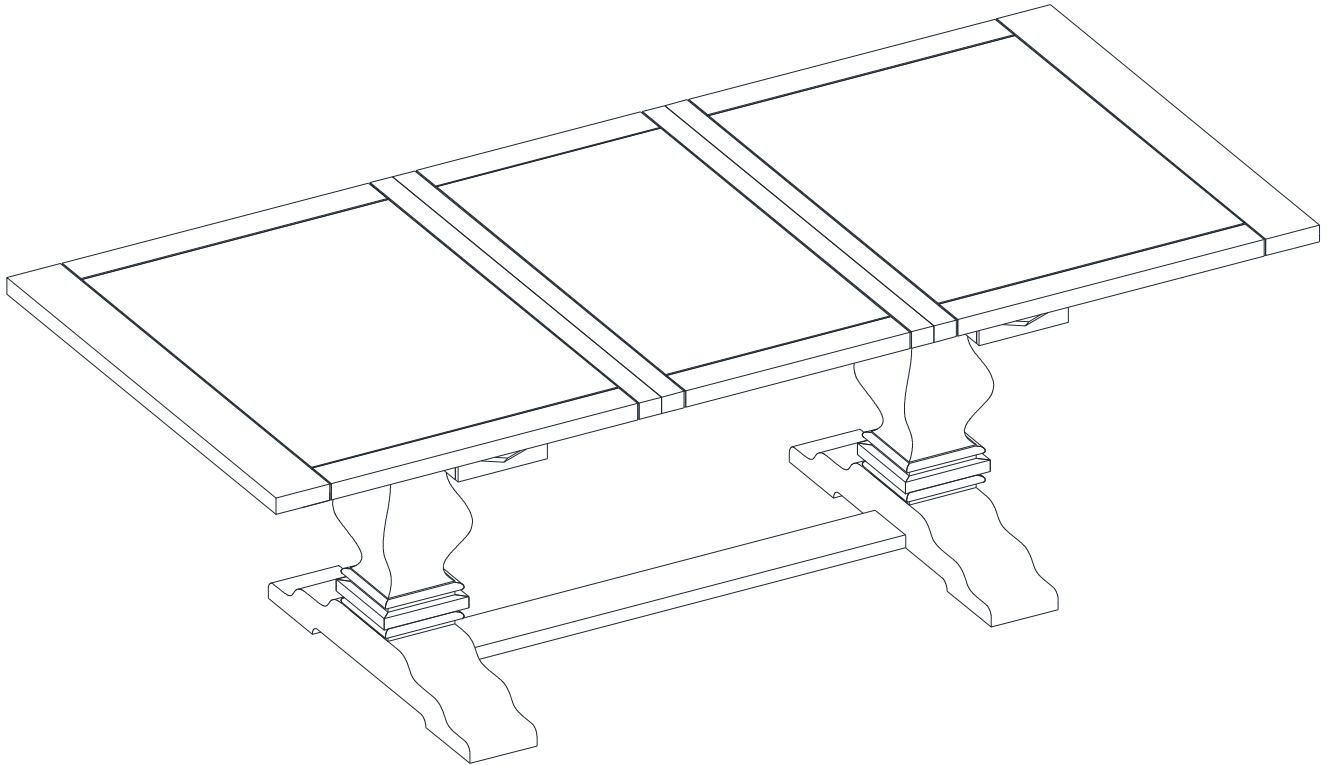


# ASSEMBLY INSTRUCTIONS



Product Dimension : W.42"xD.(68"/92")xH.30.3"

Cube Size : 71.4"x45.2"x8"  
(Top)

NW: 103.4 LBS  
GW: 114.4 LBS

Cube Size : 52.7"x16.9"x9.4"  
(Pedestal)

NW: 42.9 LBS  
GW: 48.4 LBS

## BEFORE ASSEMBLY

Thank you for purchasing this quality product. This product has been designed for easy assembly and constructed for durability. Please take the time to read and follow the assembly instructions carefully.

Be sure to check all packing material carefully for small parts that may have come loose inside the carton during shipment. Please separate, identify, and count all parts and metal hardware. Compare with the part list to be sure all parts are present.

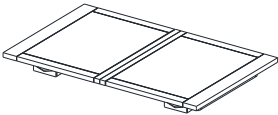
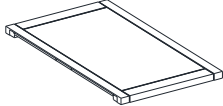



If the hardware is missing or you have difficulty assembling this product, please call for us.

**IMPORTANT NOTE:**

- Place all wooden parts on a clean and smooth surface such as a rug or carpet to avoid the parts from being scratched.
- Remove all wrapping material, including staples & packing straps, before you start to assemble.
- DO NOT tighten all screws and bolts until completely assembled.
- Keep all hardware parts out of reach of children.






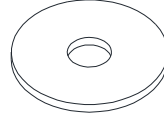



## PART LIST

When unpacking, please be careful not to discard any parts with the packaging. Before continuing, please make sure you have the following parts:

NO	Description	Qty	Sketch	NO	Description	Qty	Sketch
A	Tabletop	1		B	Leaf	1	
C	Pedestal column	2		D	Cross Bar	1	
E	Leg	2					

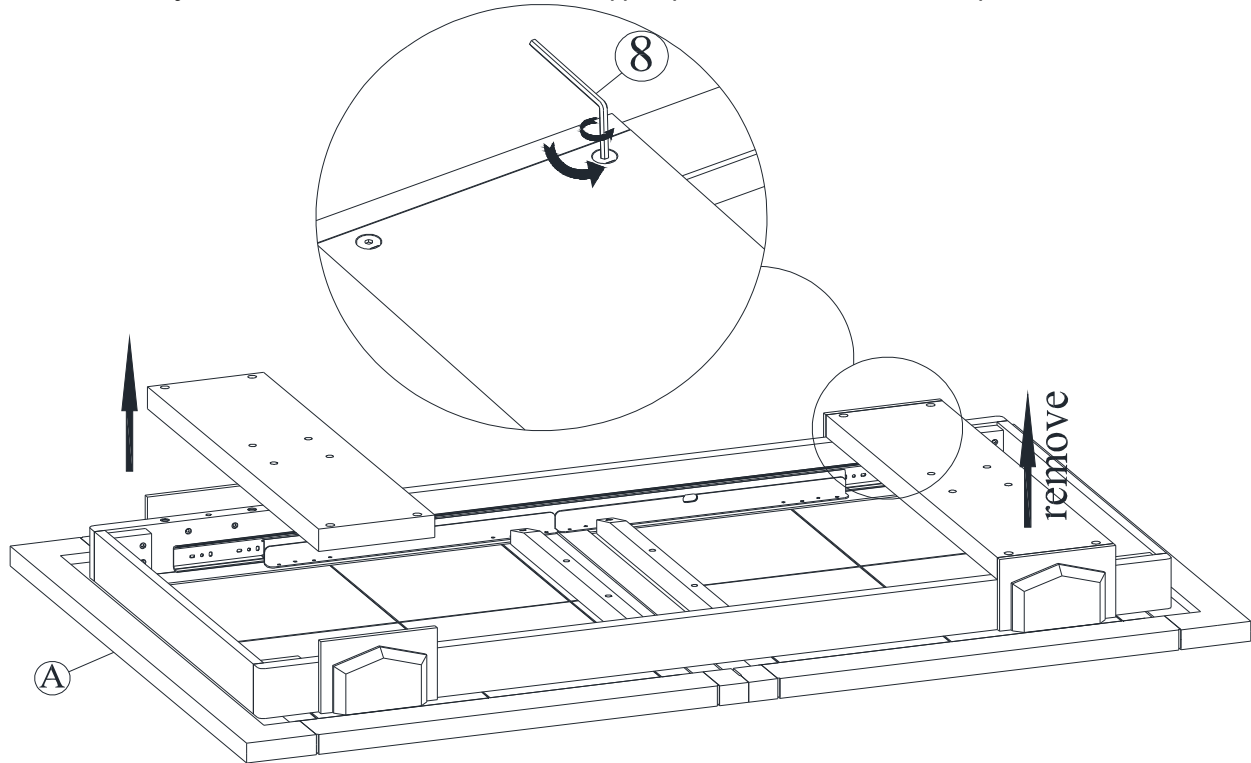
## HARDWARE LIST

When unpacking, please be careful not to discard any parts with the packaging. Before continuing, please make sure you have all of the following hardware:

NO	Description	Qty	Sketch	NO	Description	Qty	Sketch
1	Short Bolt ( M6x45)	8		2	Long Bolt ( M8x100)	8	
3	Hexagon nut (M8x13mm)	8		4	Flat Washer (Ø6.5x19)	8	
5	Lock Washer (Ø6.5x9)	8		6	Flat Washer (2xØ8.5x30)	8	
7	Lock Washer (Ø8.5x13)	8		8	Allen key (4mm)	1	
9	Wrench (M13mm)	1					

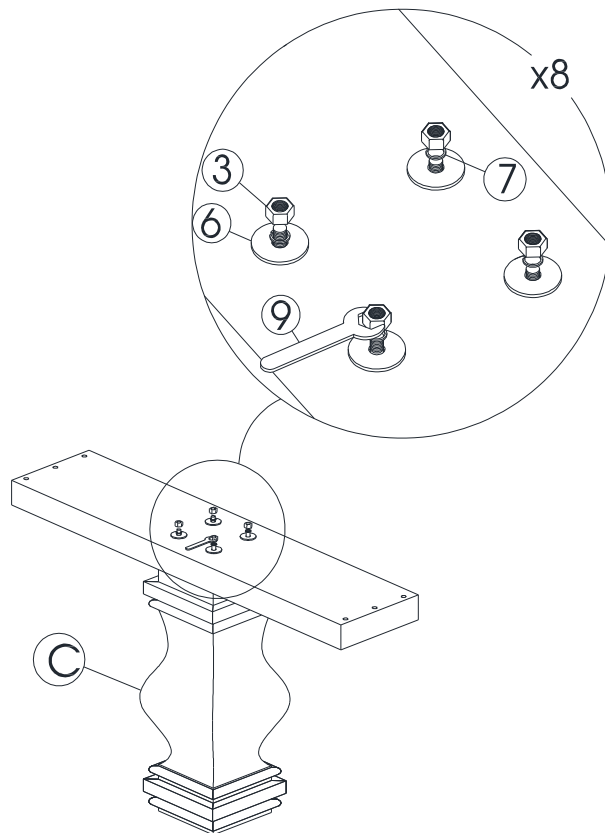
## STEP 1

Use the Allen key (8) to loosen the bolts and detach two support plates underneath the tabletop.



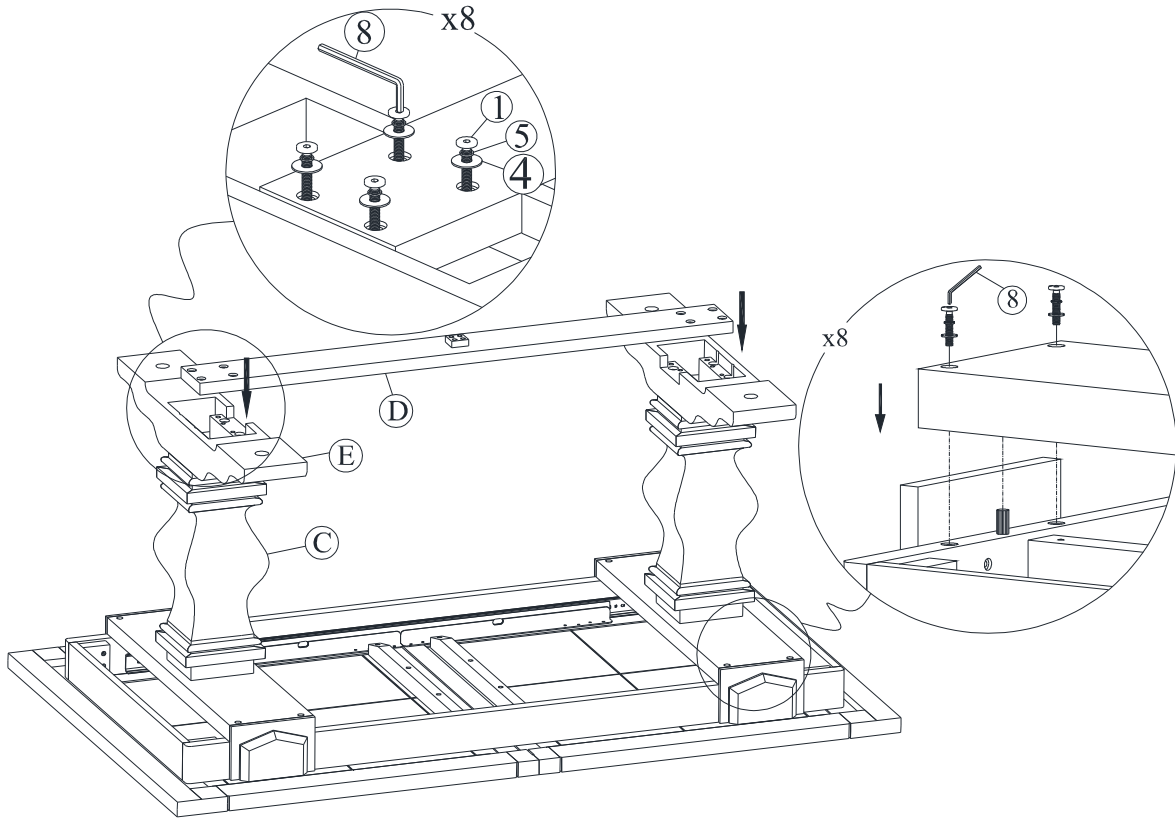
## STEP 2

Place the plates on top of the pedestal columns (C), attach with washers (6), (7) and nuts (3). Tighten with the Wrench (9), as shown below.



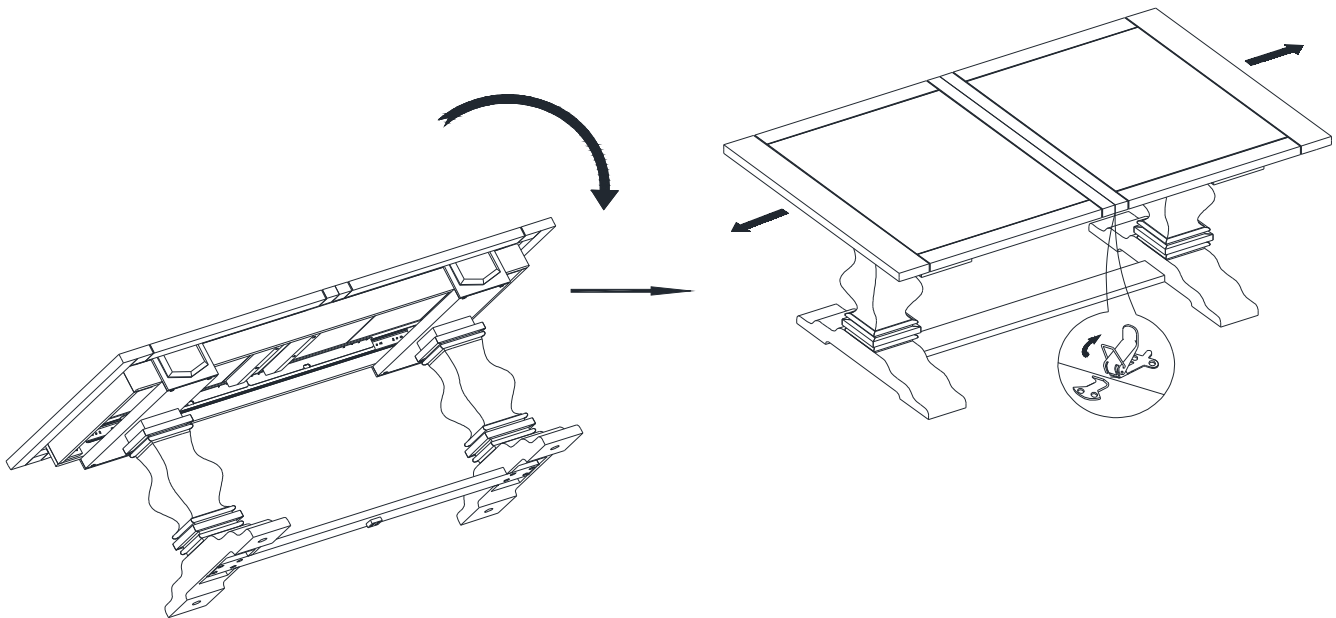
### STEP 3

Assemble the group of Pedestals (on step 2) to the Top table (A), use the hardware removed on step 1. Connect the Crossbar (D) to the Leg (E), use bolts (1) and Washers (4), (5). Tighten them all with Allen key (8), as shown below.



### STEP 4

Carefully flip the table, put it stand on the Legs, unlock the underneath tension latches, and pull the tabletop leaves open out, as shown below.



## STEP 5

Put the Leaf (B) on then shut the tabletop leaves. Lock the underneath tension latches and finish the assembly.

