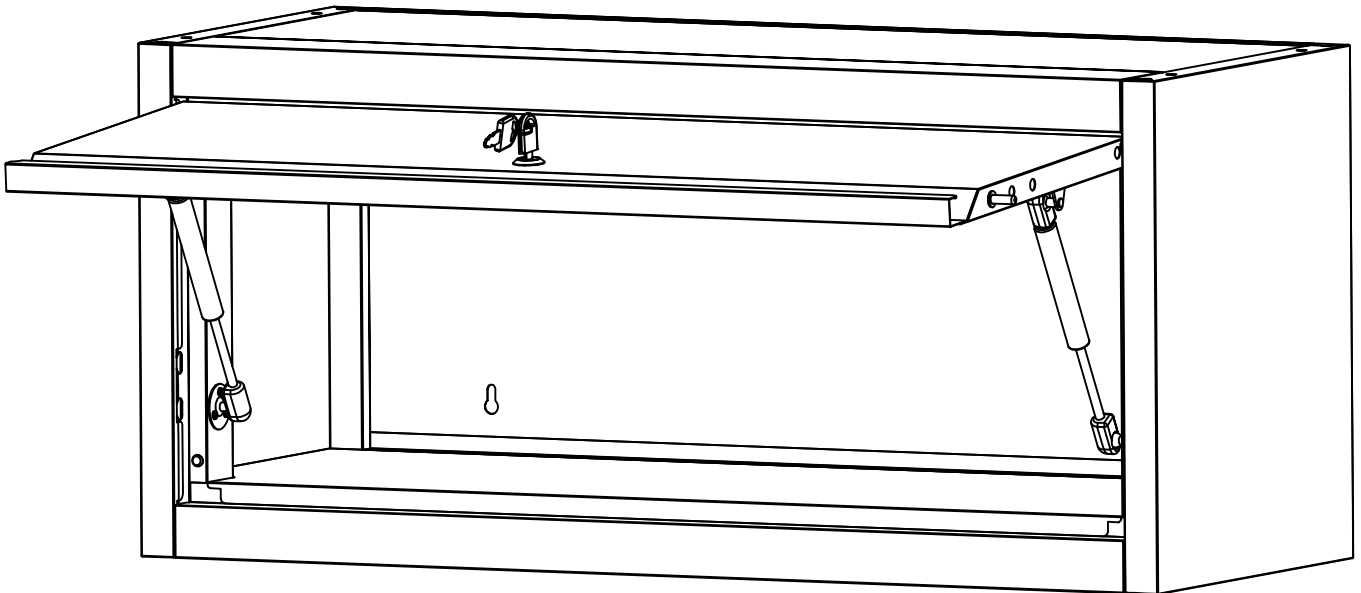
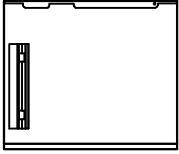

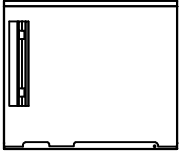

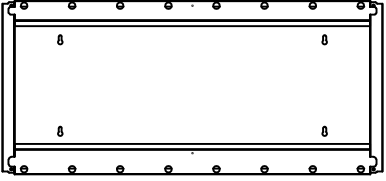



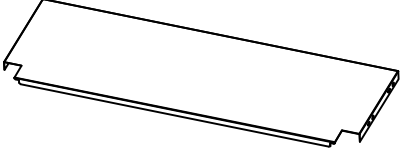
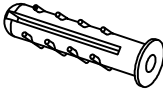
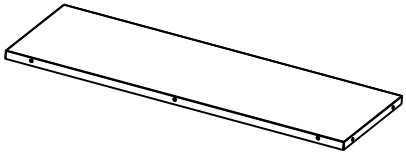
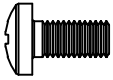
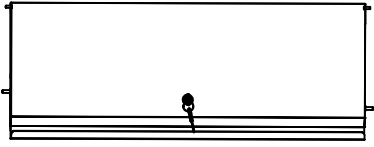




Instruction Manual

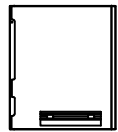
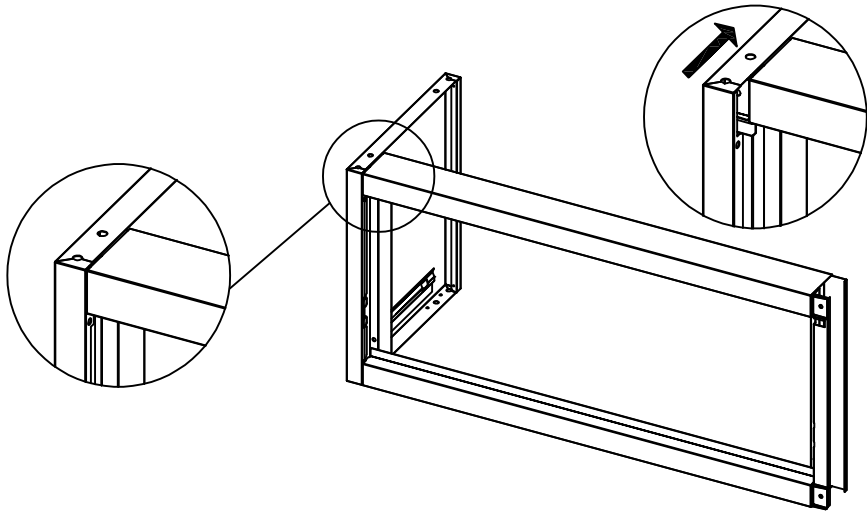


Accessories

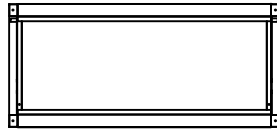
Name		Picture	QTY	Name		Picture	QTY
A	Left Panel		1	M	5*10 Screws		9
B	Right Panel		1	O	Door Pivot Base		2
C	Back Panel		1	P	Lock		1
D	Front Frame		1	Q	4*30 Screws		4
E	Bottom Panel		1	R	Expansion Tube		4
F	Top Panel		1	T	Screws 4*10		6
G	Door		1	U	The Bottom Holder for Hydraulic Lever		2
H	Hydraulic Lever		2				

(1)

Put left panel A and front frame D together



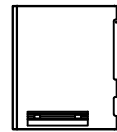
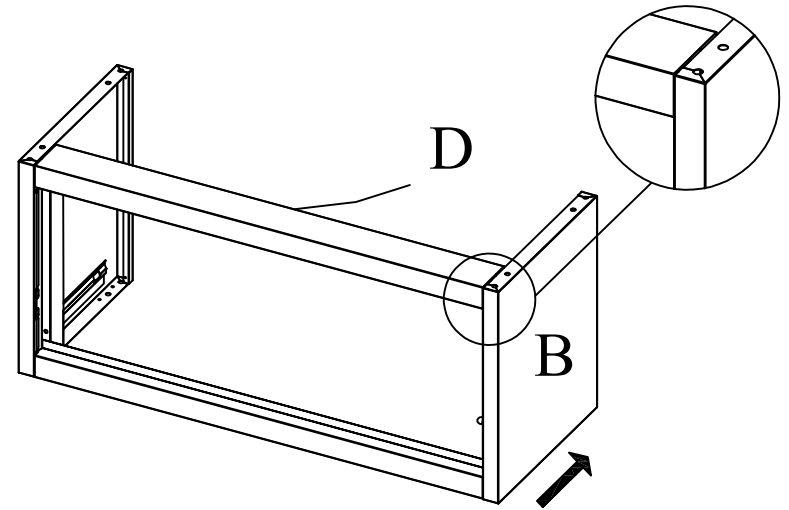
A 1pc



D 1pc

(2)

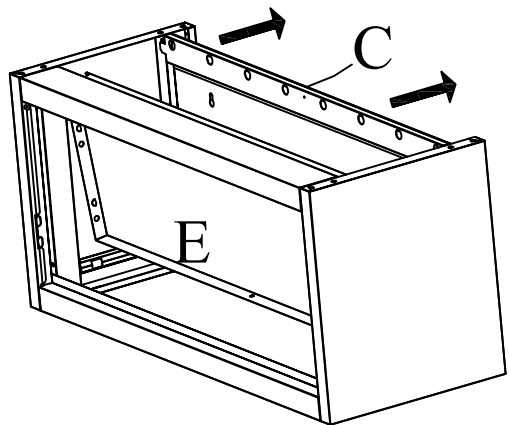
Put right panel B and front frame D together



B 1pc

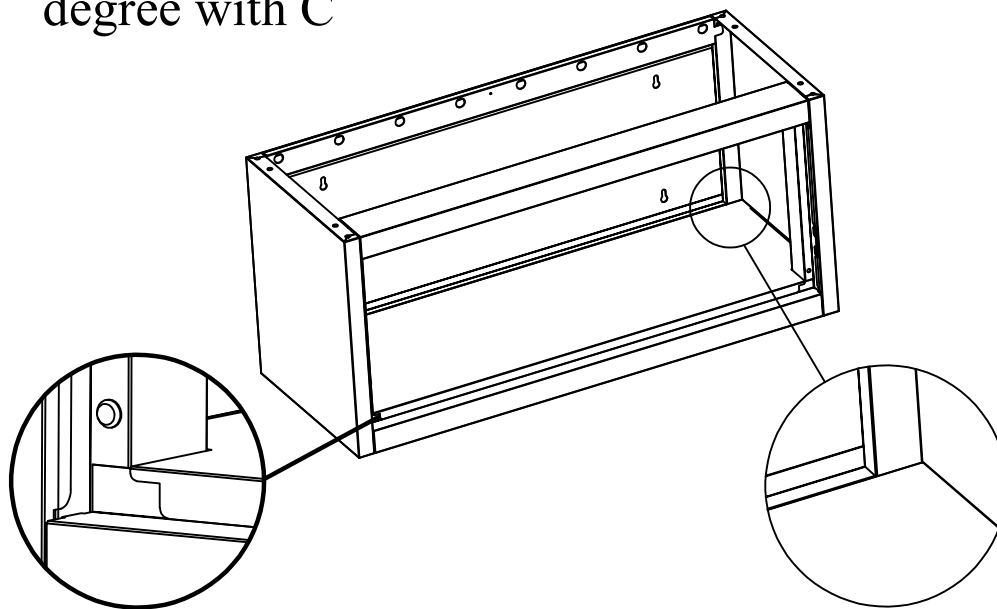
(3)

Put in bottom panel E, then put in back panel C
Push C to the parallel position of front frame D

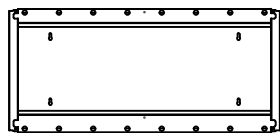


(4)

Push bottom panel E to the bottom, which is 90 degree with C



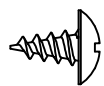
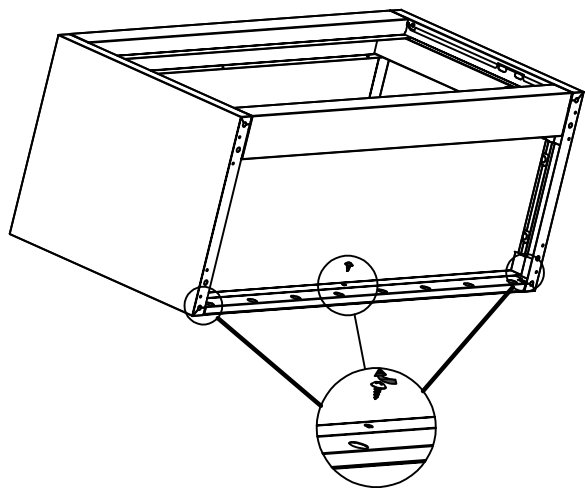
E 1pc



C 1pc

(5)

Fasten bottom panel E with 3 screws M

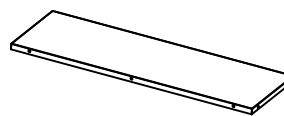
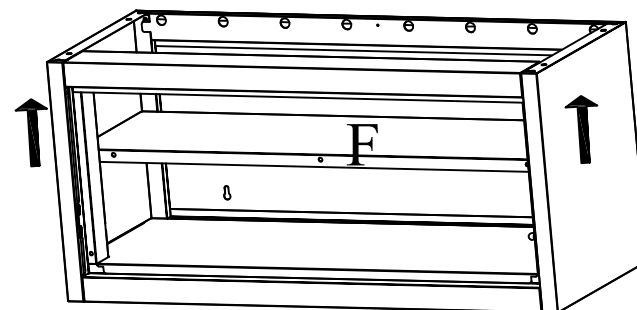


M

3pcs

(6)

Put in top panel F and push it to the top

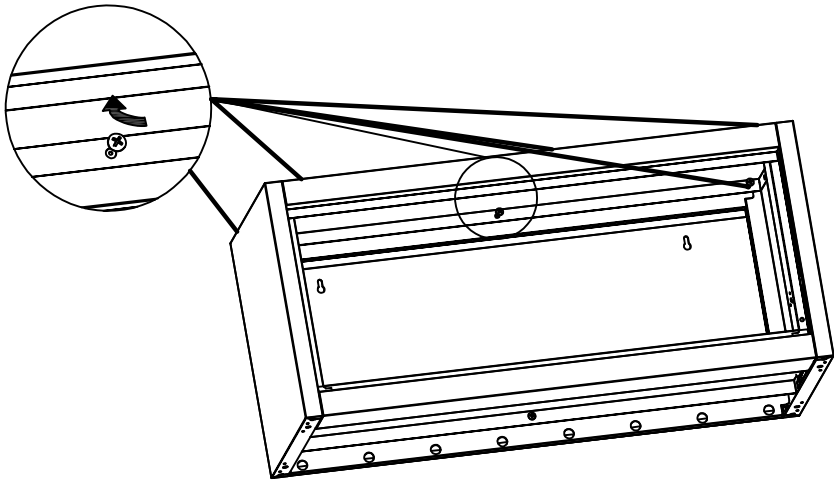


F

1pc

(7)

Fasten top panel F with 6 screws M

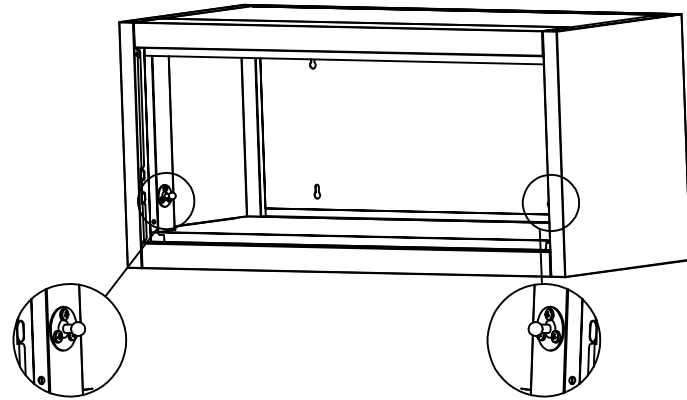


M

6pcs

(8)

Install 2 Part U on side panels with 6 screws T



T

6pcs

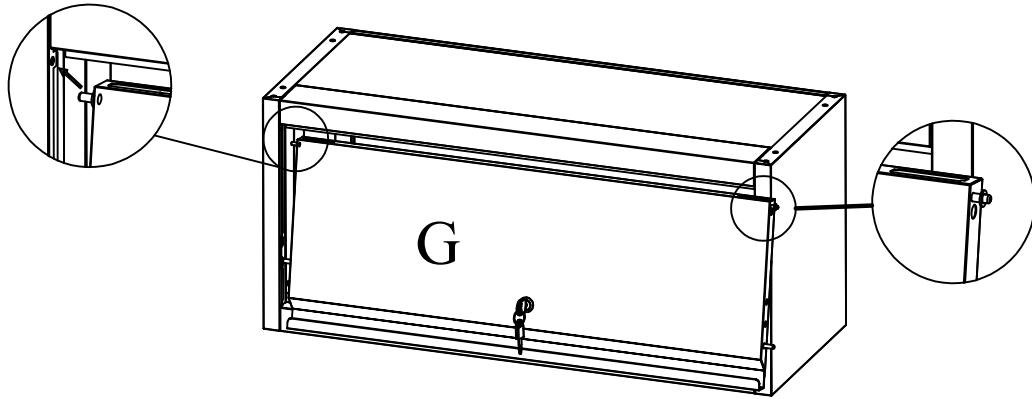


U

2pcs

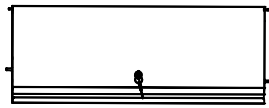
(9)

Install 2 Door pivot bases O on the both sides of Door D, then insert the door pivots to the holes on the side panels



O

2pcs

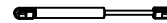
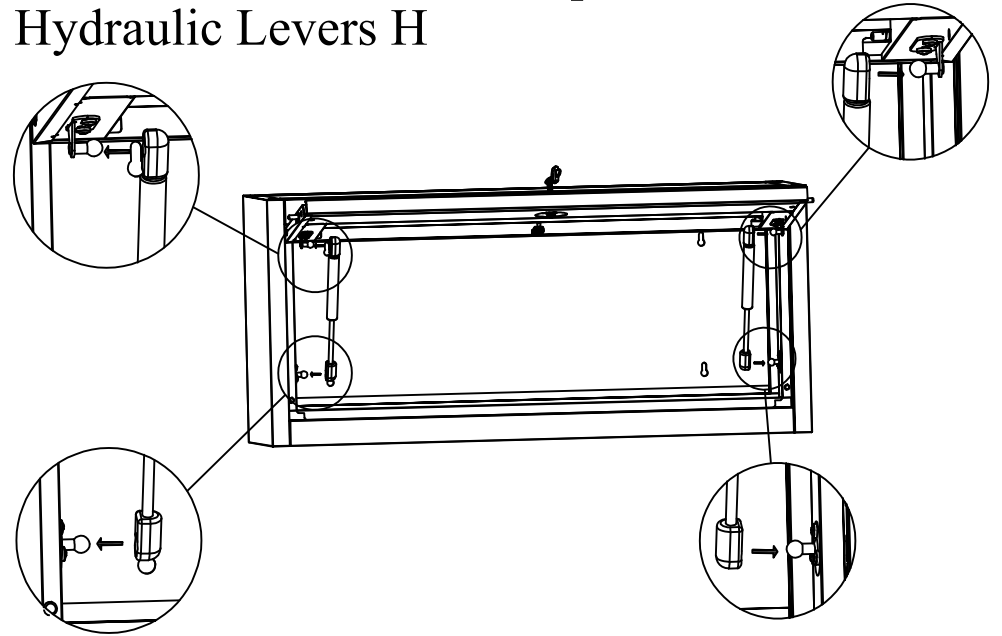


G

1pc

(10)

Connect the door and side panels with 2 Hydraulic Levers H

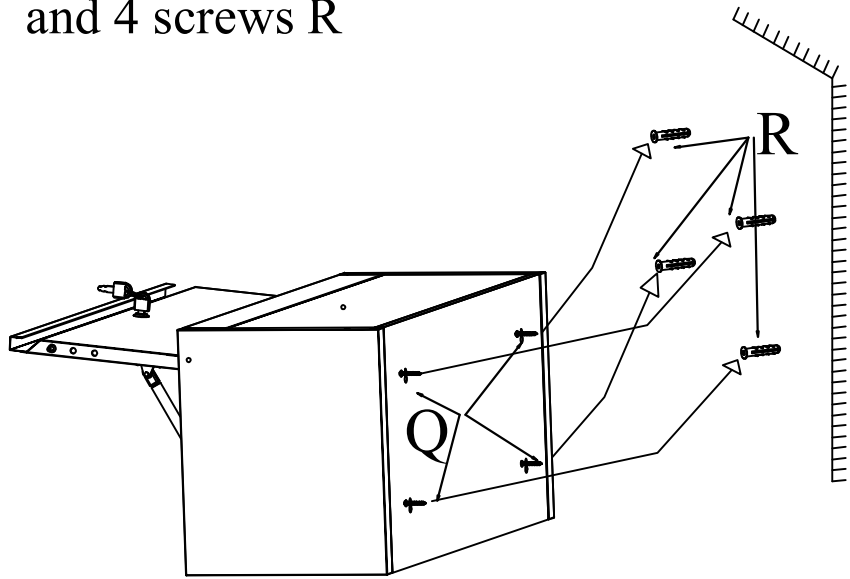


H

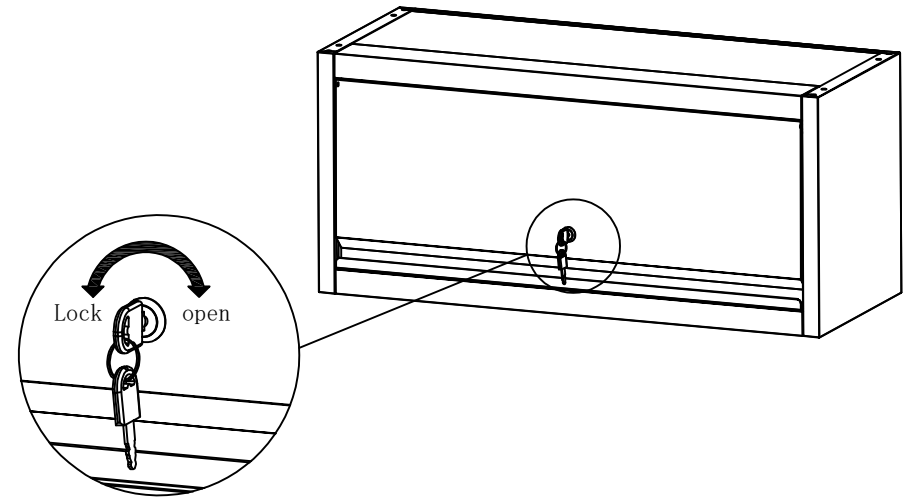
2pcs

(11)

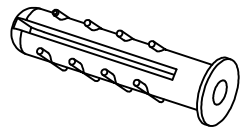
Install the cabinet on the wall with 4 screws Q
and 4 screws R



(12)



Q 4pcs



R 4pcs