

STORAGE CABINET

User Manual

INTRODUCTION

Thank you for choosing the Storage Cabinet. Please read this user manual carefully and keep it for future reference. If you need any assistance, please contact us by email with your order number and details.


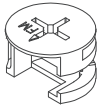


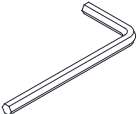
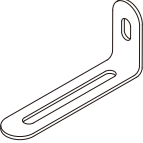




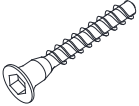

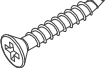
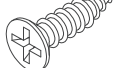
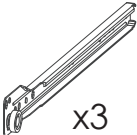
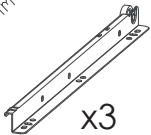
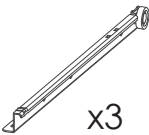
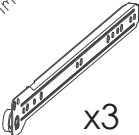
PACKAGE CONTENTS

- Storage Cabinet
- Pack of Accessories
- User Manual

PRODUCT CARE

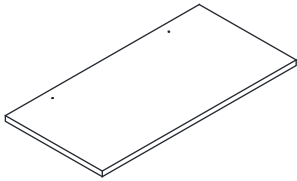
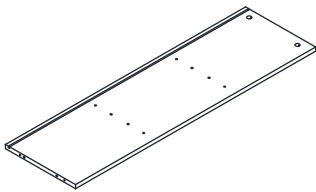
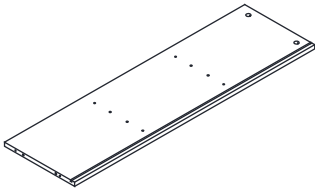
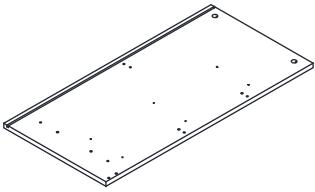
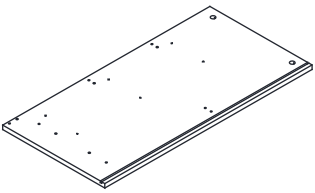
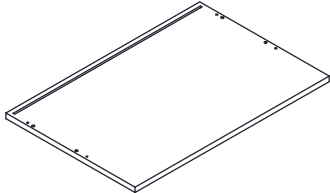
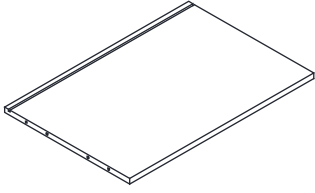
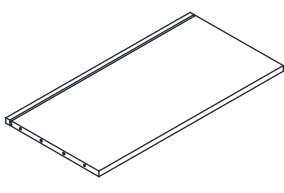
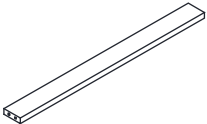
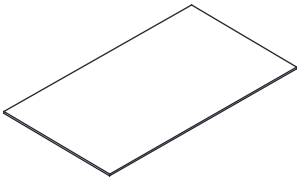
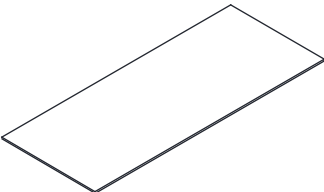
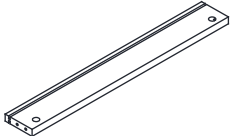
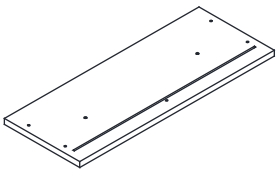
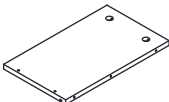
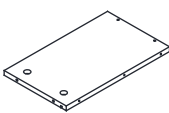
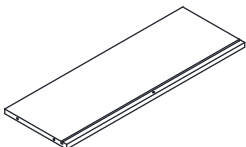
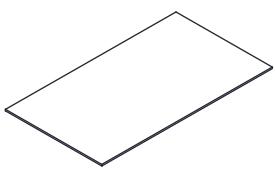

- Please follow the instruction to assemble this item correctly.
- Don't make the screws be too loose or too tight.
- Please put the screws into the holes' position just as shown in the arrows of the image, and then clockwise rotate 90° or 180°
- The fittings pack contains small accessories that should be kept away from small children.

HARDWARE SUPPLIED

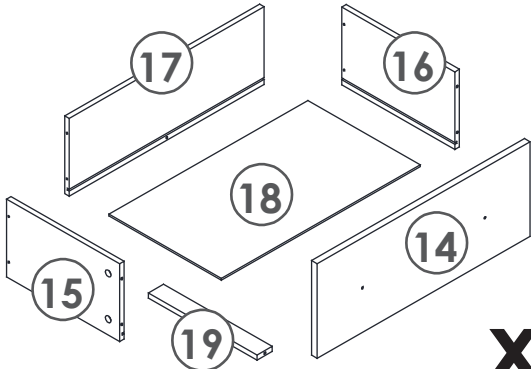
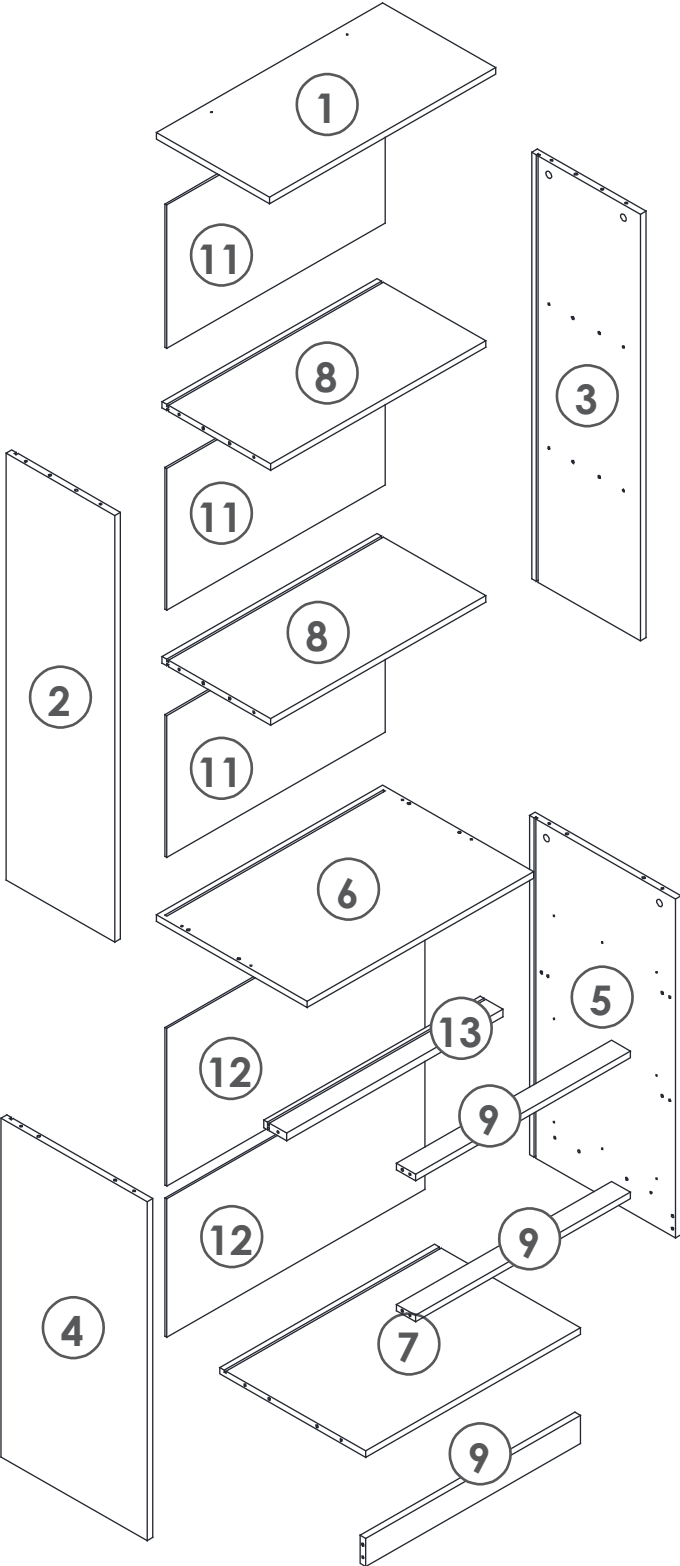
A  x43	B  x43	C  x32	D M3*14mm  x20	E  x1
F F1  x2	F2  x2	G  x6	H  x6	I  x20
J M7*40mm  x4	K  x2	L M4*30mm  x17	M M3.5*12mm  x36	
NN1(CL)  x3	N1(DL) 12Inch/300mm  x3	N2(CR)  x3	N2(DR) 12Inch/300mm  x3	

PARTS LIST

Unit: (mm)

<p>① 600*300</p>  <p>x1</p>	<p>② 985*287</p>  <p>x1</p>	<p>③ 985*287</p>  <p>x1</p>	<p>④ 787*388</p>  <p>x1</p>
<p>⑤ 787*388</p>  <p>x1</p>	<p>⑥ 600*400</p>  <p>x1</p>	<p>⑦ 567*388</p>  <p>x1</p>	<p>⑧ 567*287</p>  <p>x2</p>
<p>⑨ 567*63.5</p>  <p>x3</p>	<p>⑪ 572*326</p>  <p>x3</p>	<p>⑫ 572*357</p>  <p>x2</p>	<p>⑬ 567*63.5</p>  <p>x1</p>
<p>⑭ 560*218</p>  <p>x3</p>	<p>⑮ 300*180</p>  <p>x3</p>	<p>⑯ 300*180</p>  <p>x3</p>	<p>⑰ 518*180</p>  <p>x3</p>
<p>⑱ 526*295</p>  <p>x3</p>	<p>⑲ 285*50</p>  <p>x3</p>		

PANEL LAYOUT

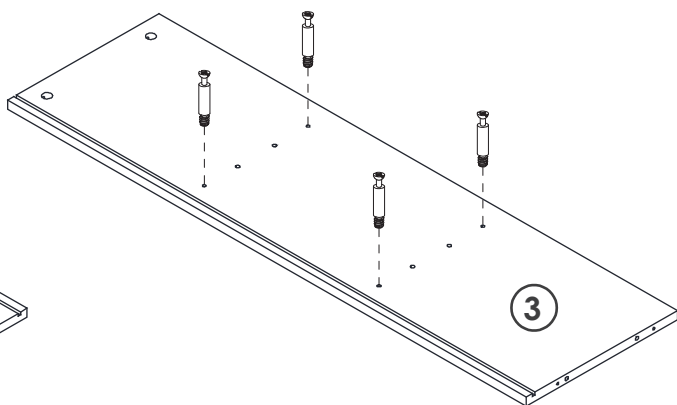
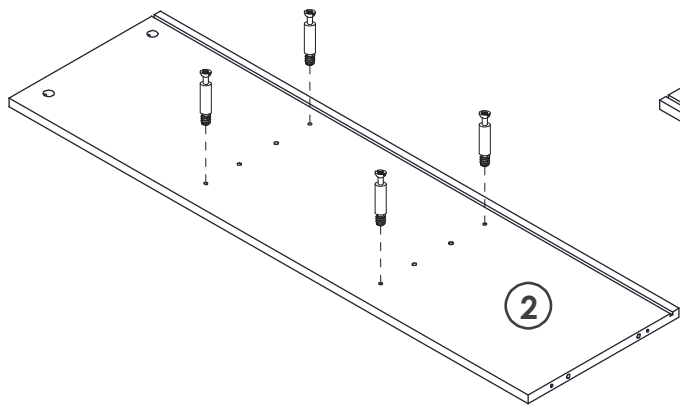
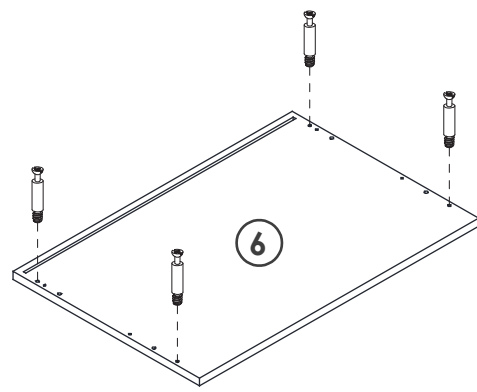
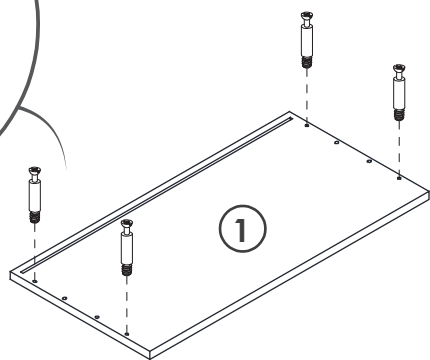
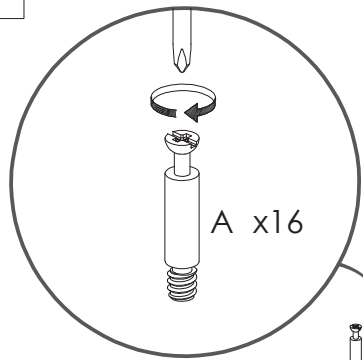


x3

1

YOU WILL NEED

A x16

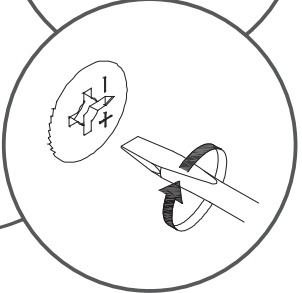
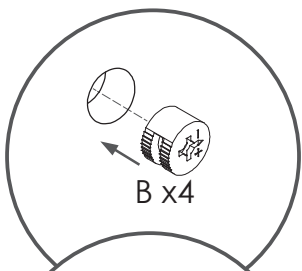
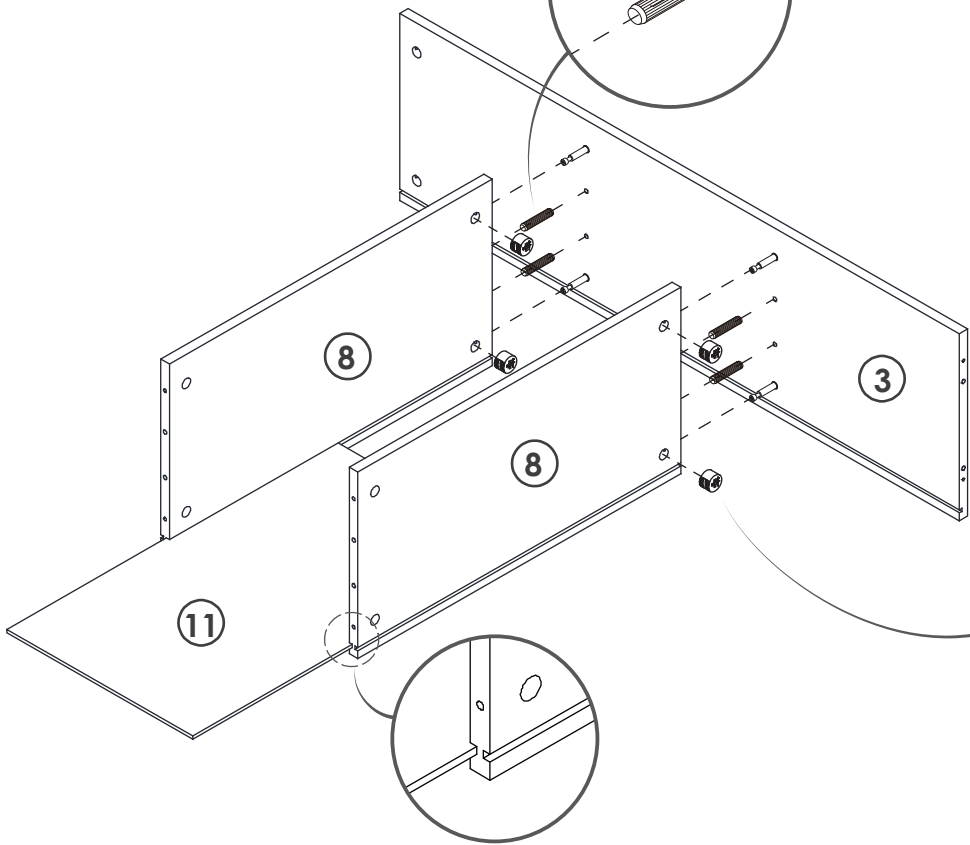
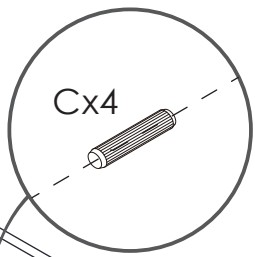


2

YOU WILL NEED

B x4

C x4

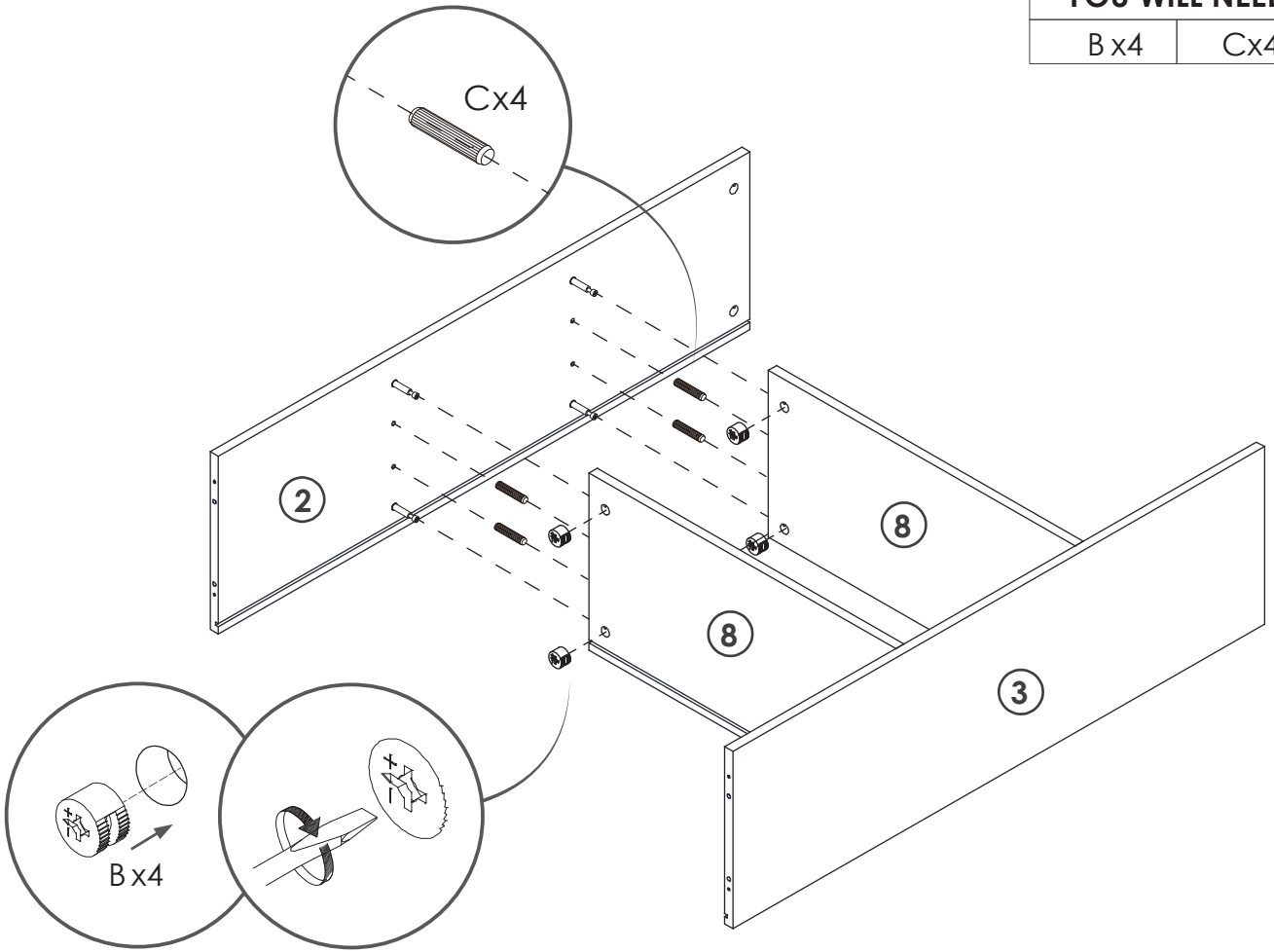


3

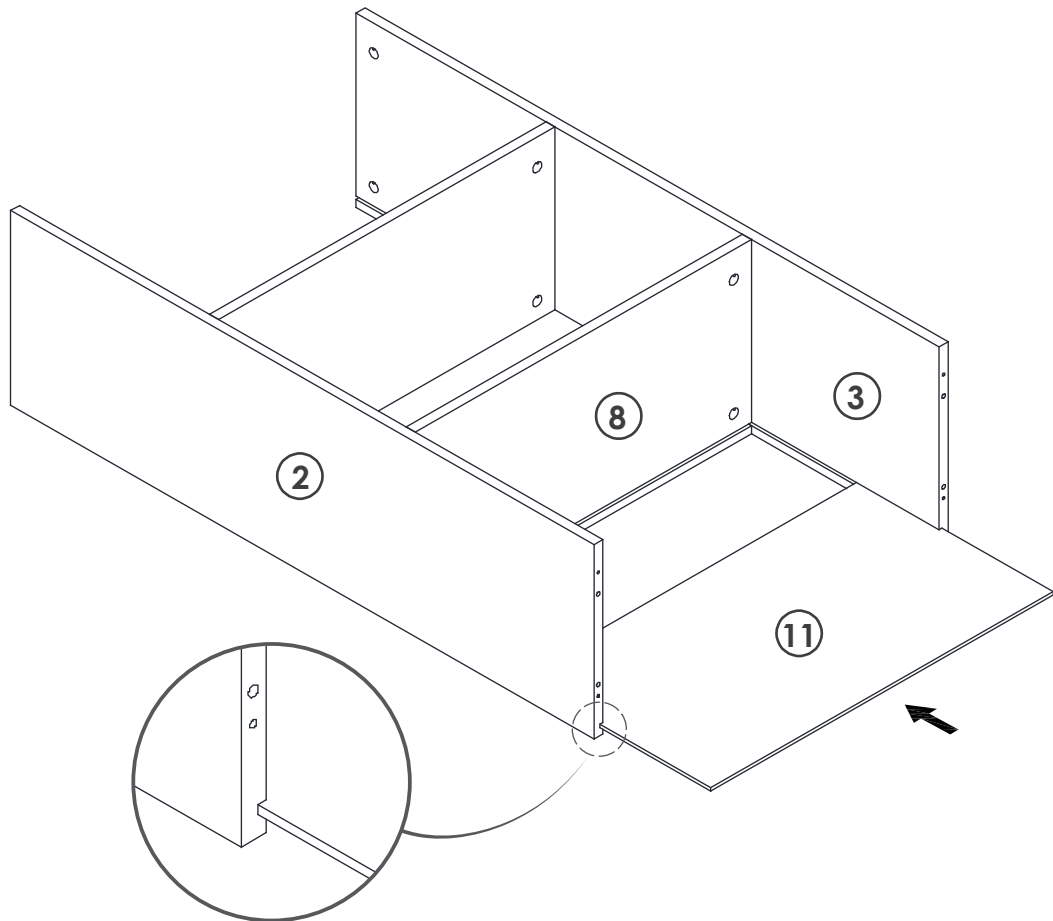
YOU WILL NEED

B x4

C x4



4



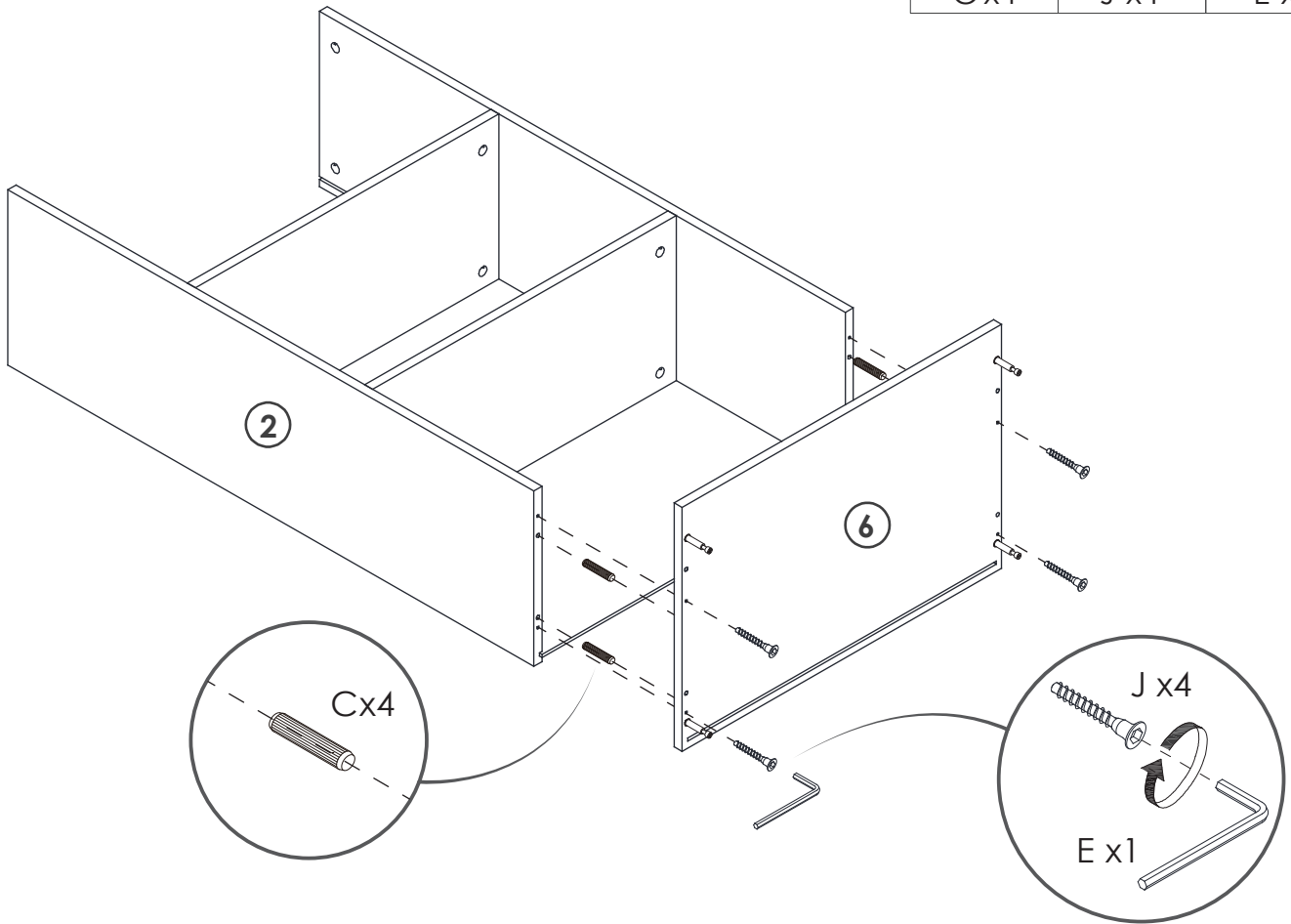
5

YOU WILL NEED

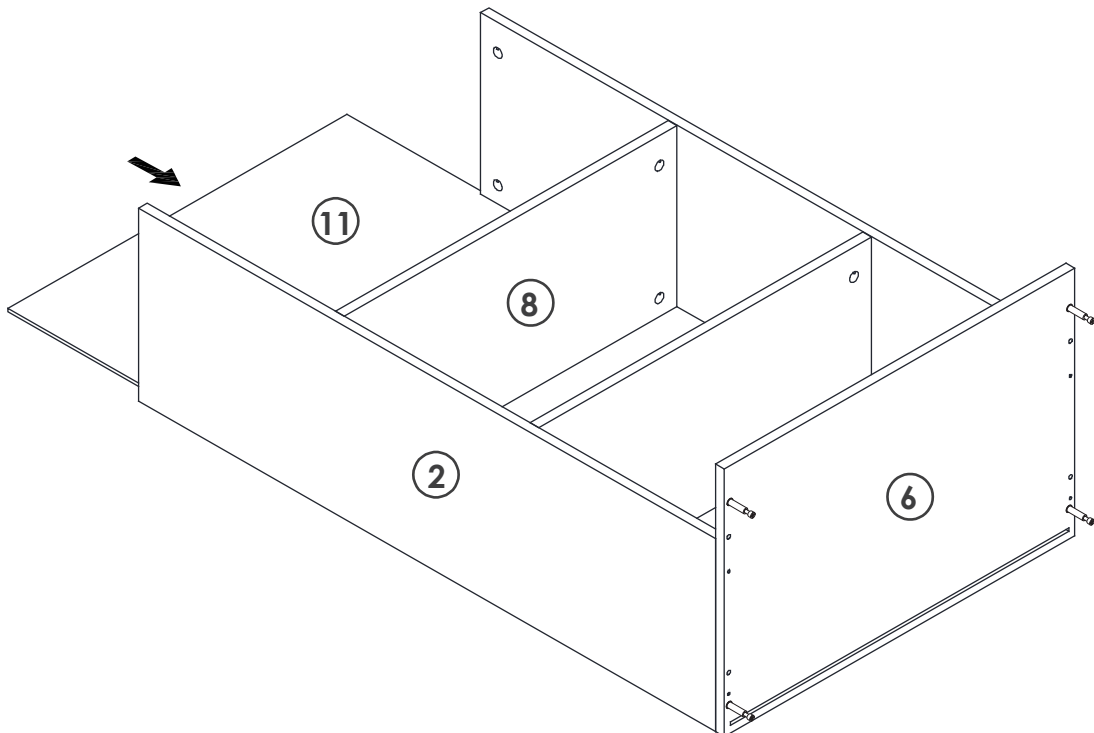
C x4

J x4

E x1



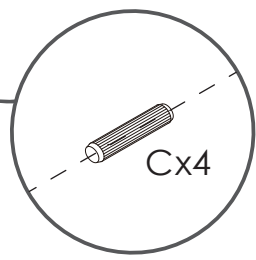
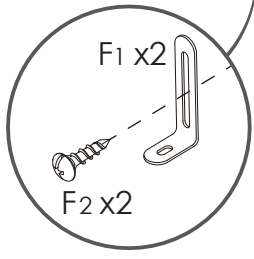
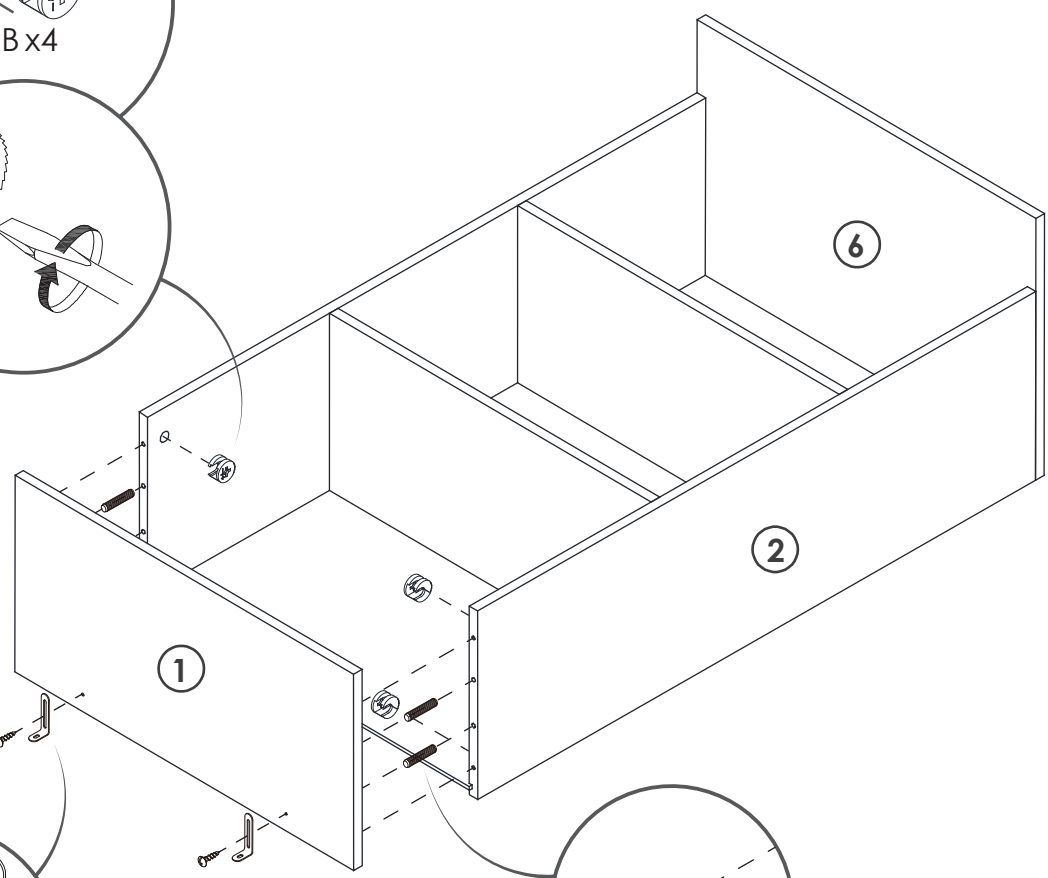
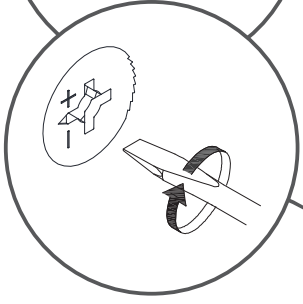
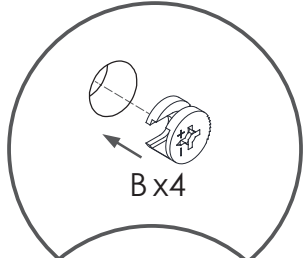
6



7

YOU WILL NEED

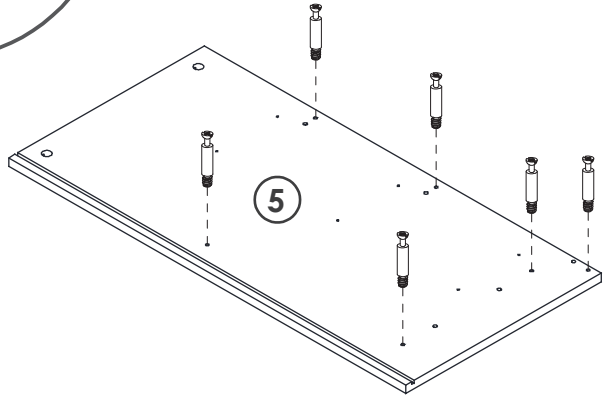
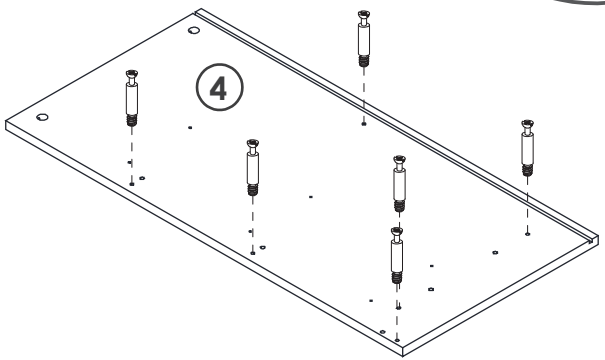
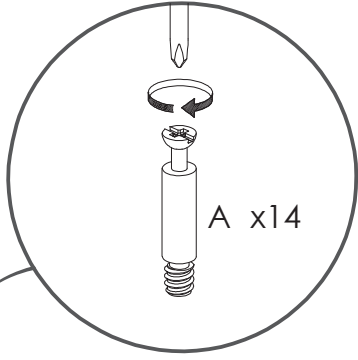
B x4	Cx4	F ₁ x2	F ₂ x2
------	-----	-------------------	-------------------

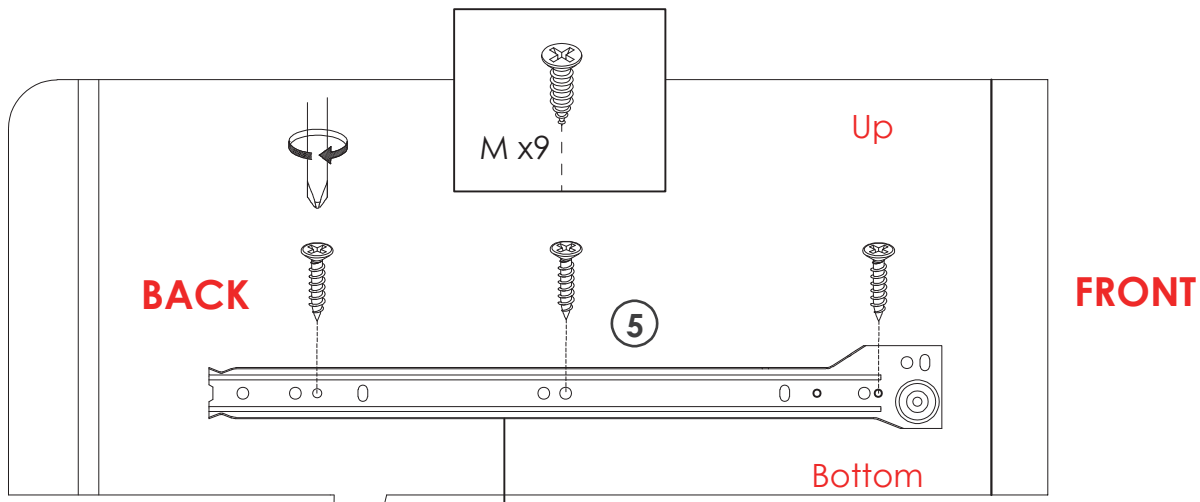


8

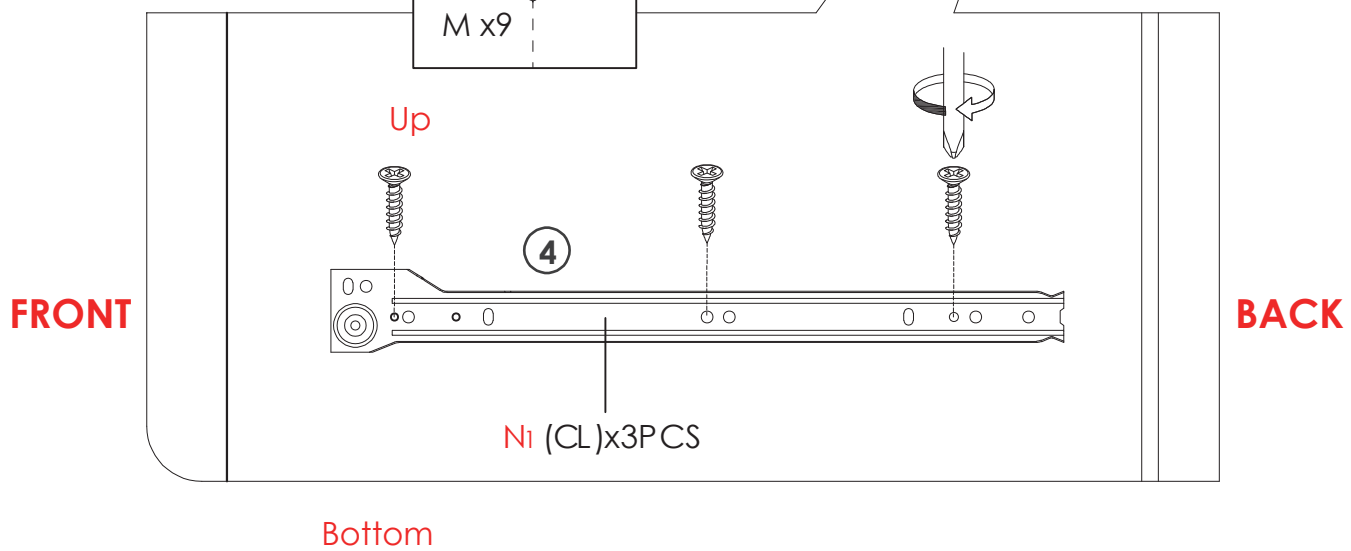
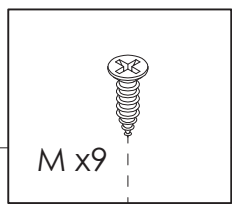
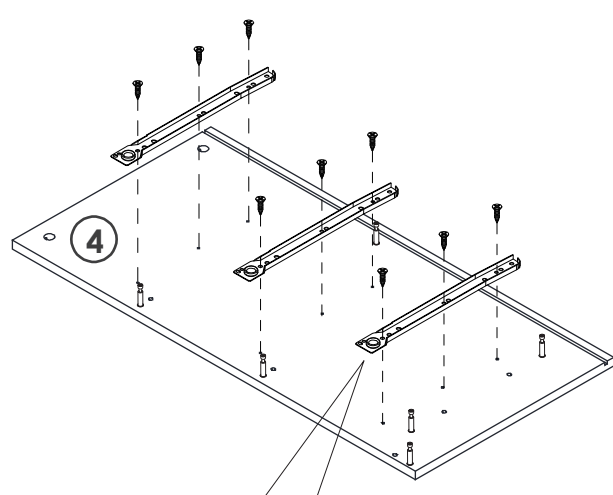
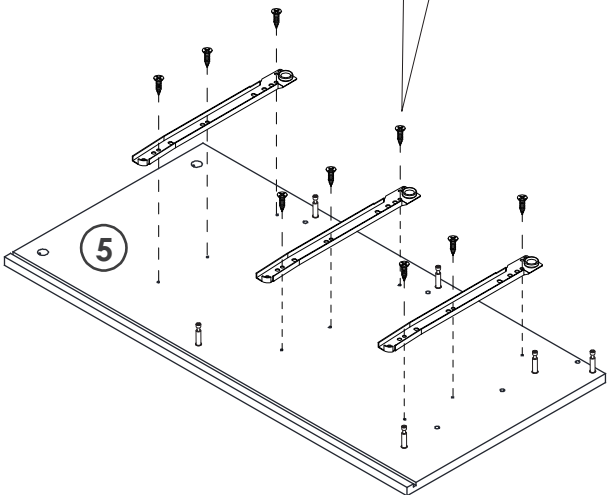
YOU WILL NEED

A x12	
-------	--





N₂ (CR)x3PCS

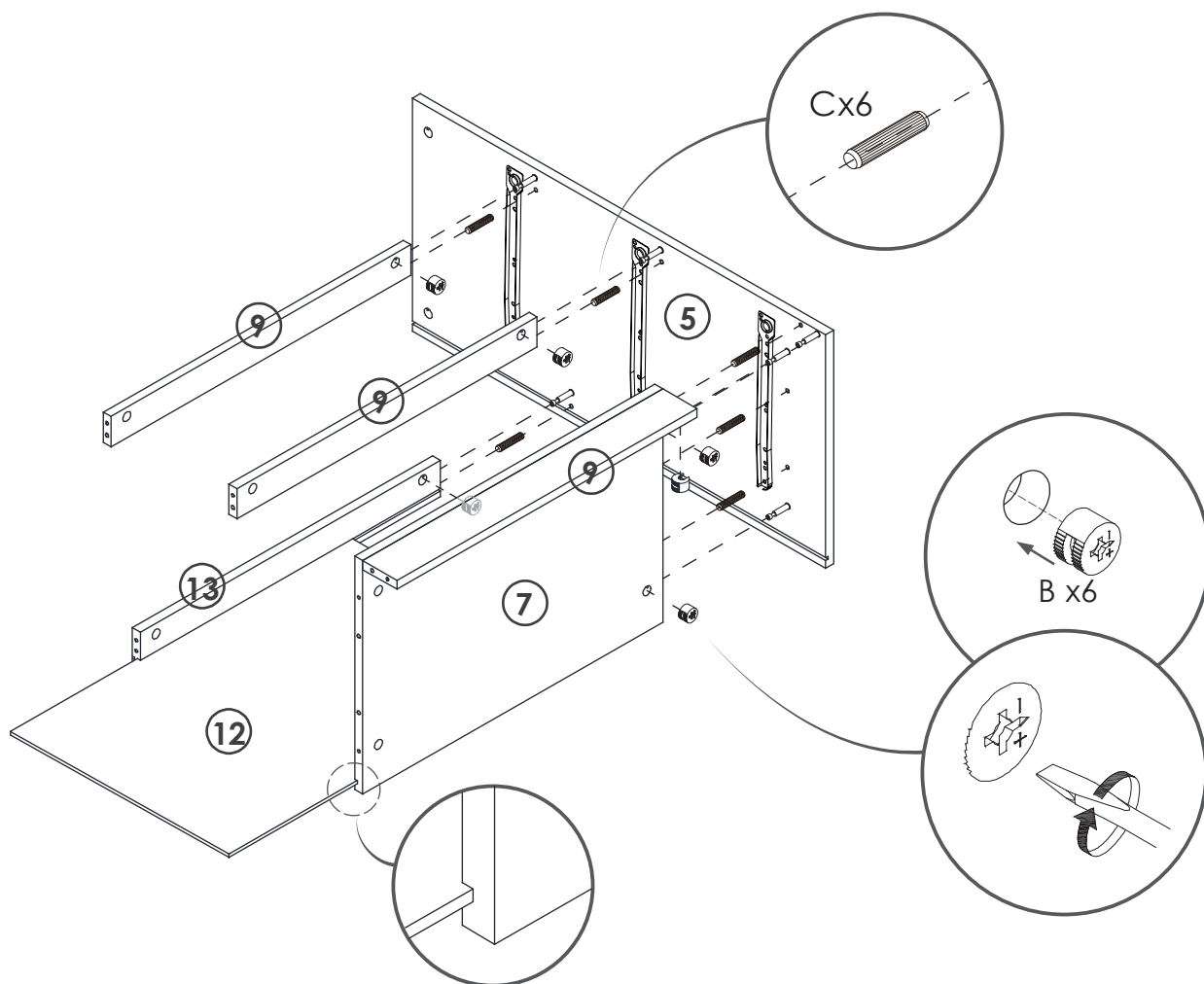


10

YOU WILL NEED

B x6

Cx6

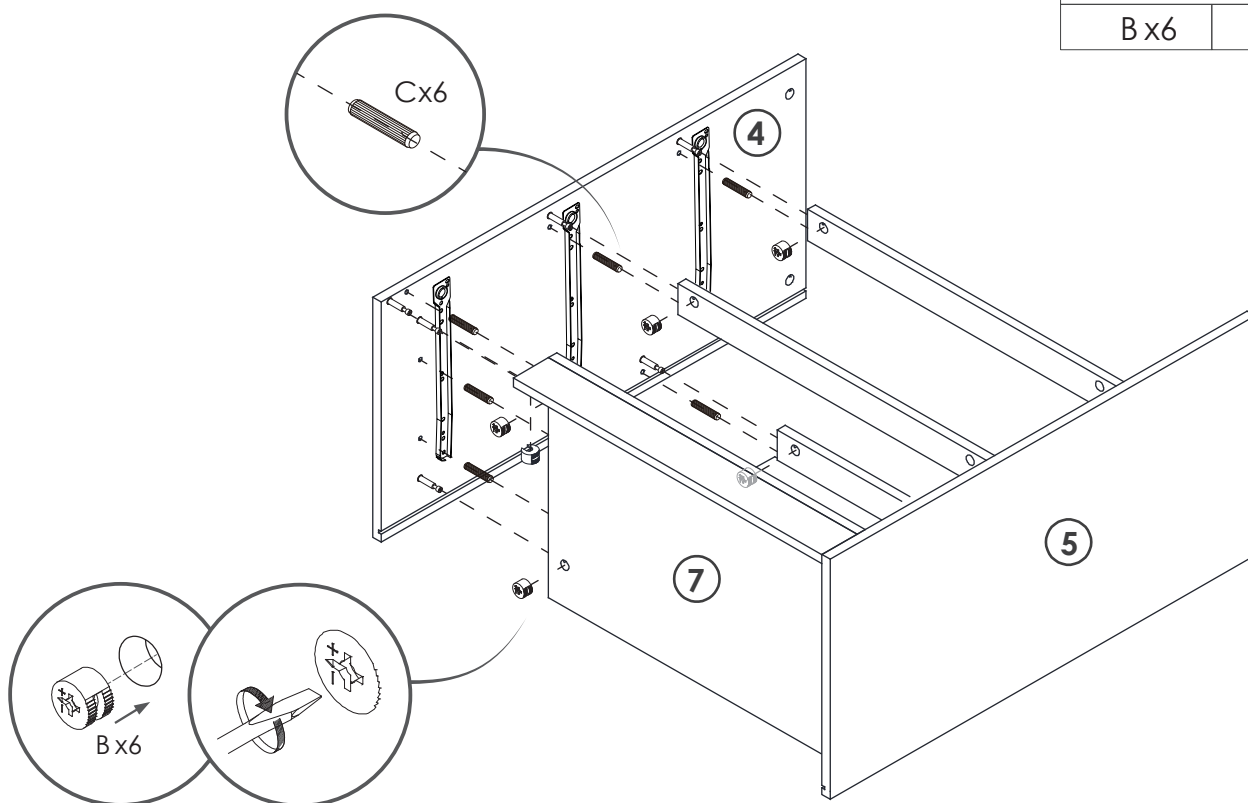


11

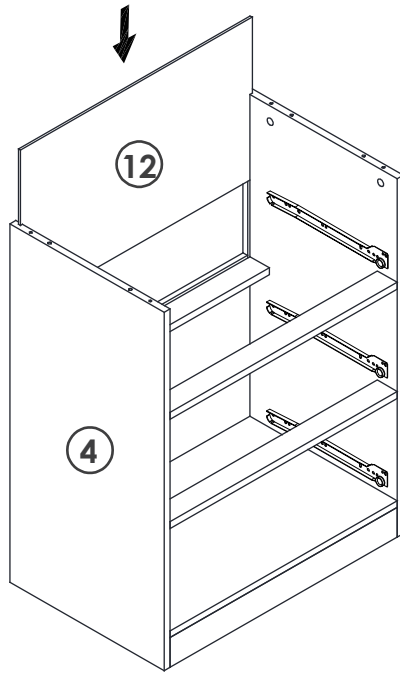
YOU WILL NEED

B x6

Cx6



12

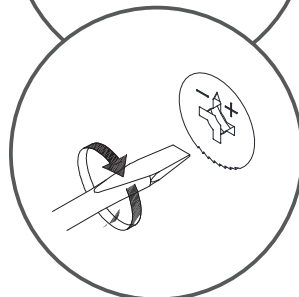
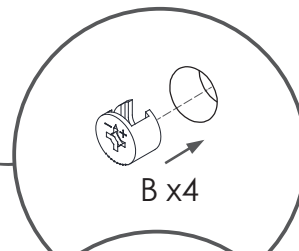
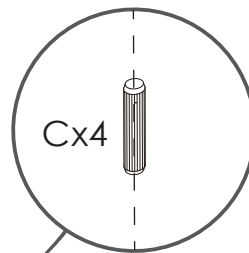
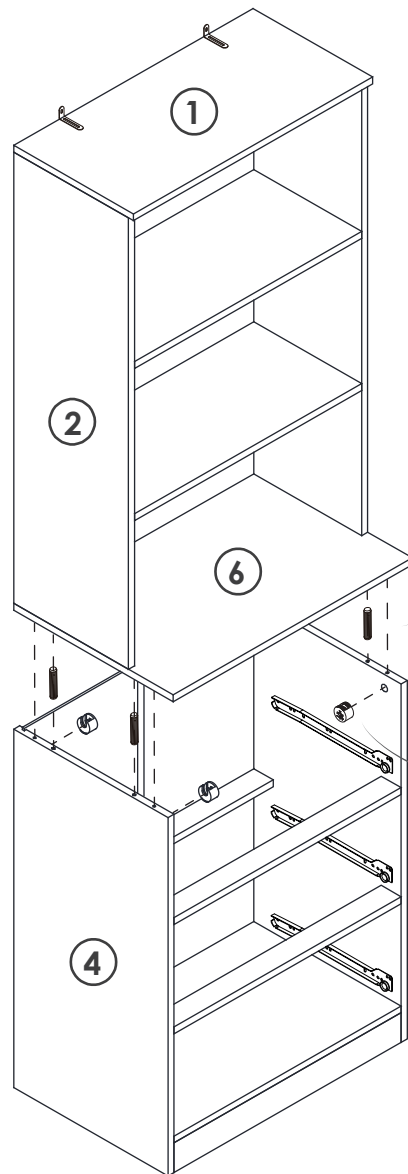


13

YOU WILL NEED

B x4

C x4

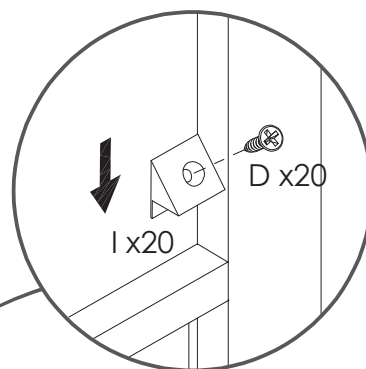
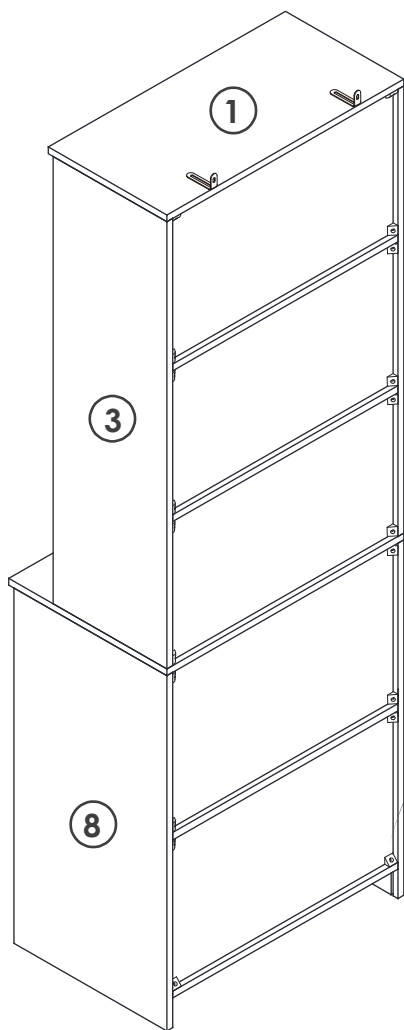


14

YOU WILL NEED

D x20

I x20

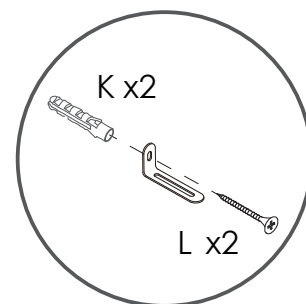
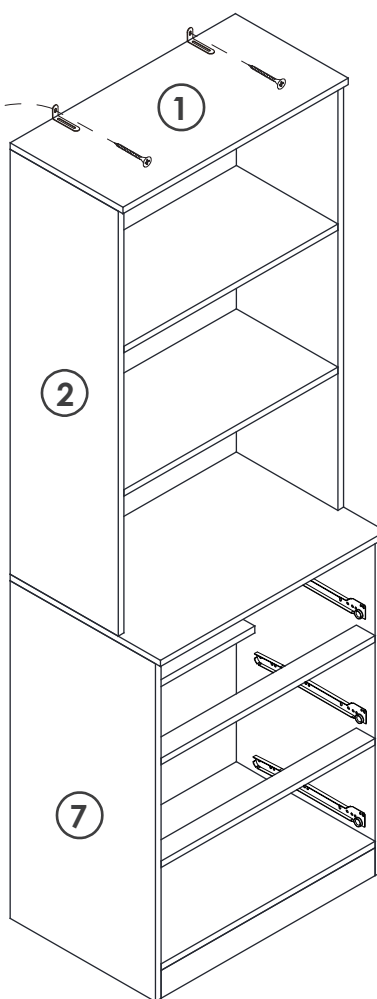
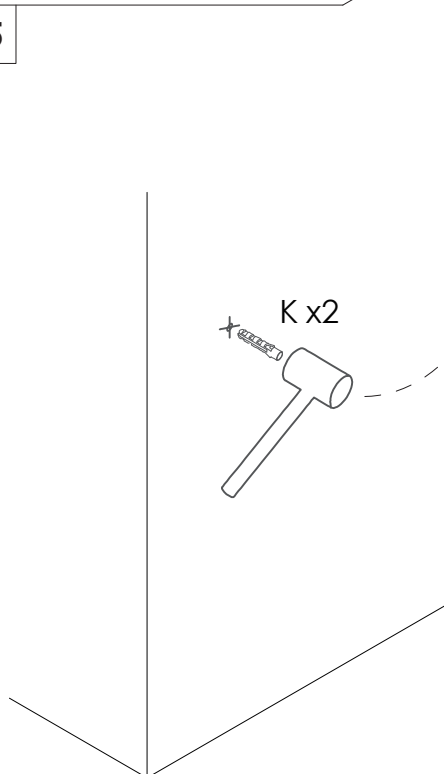


YOU WILL NEED

K x2

L x2

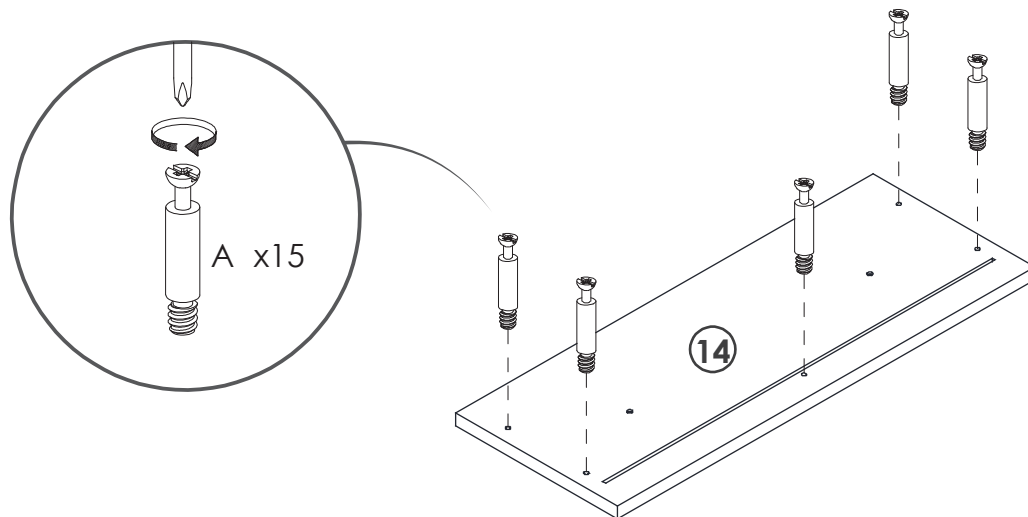
15



16

YOU WILL NEED

A x15

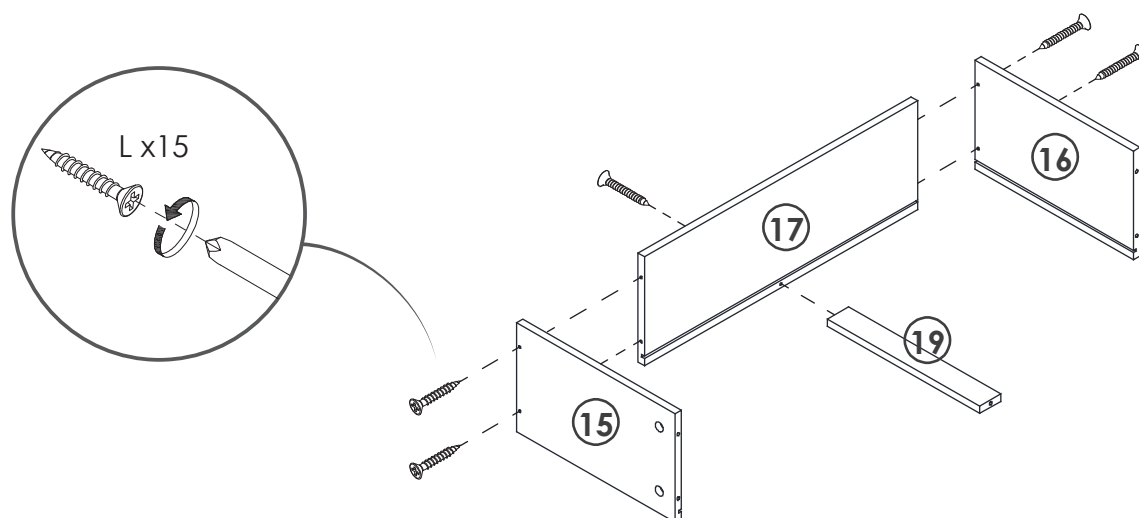


x3

17

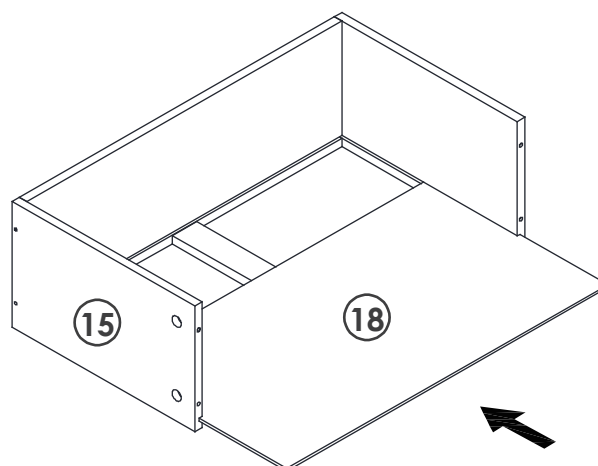
YOU WILL NEED

L x15



x3

18



x3

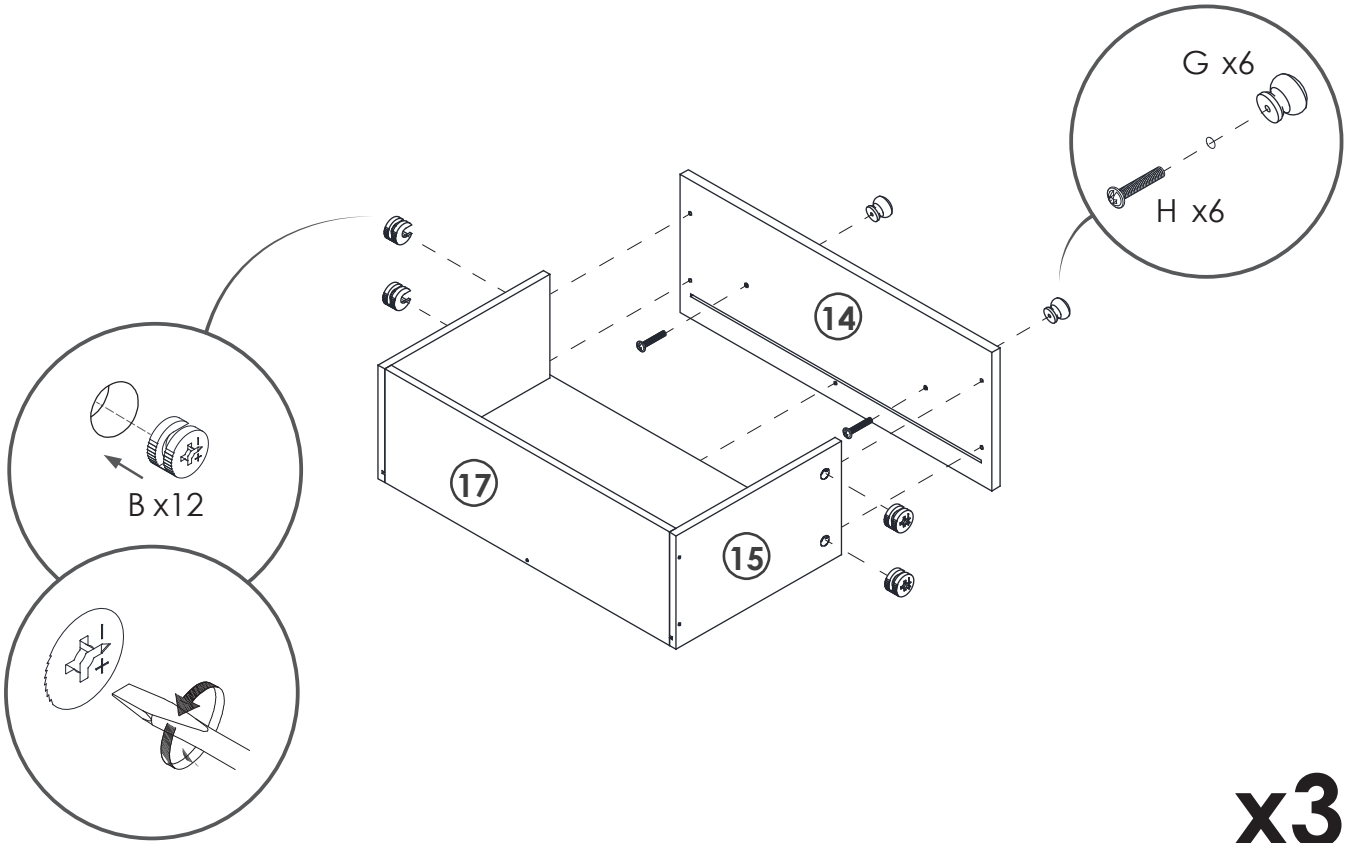
19

YOU WILL NEED

B x12

G x6

H x6



20

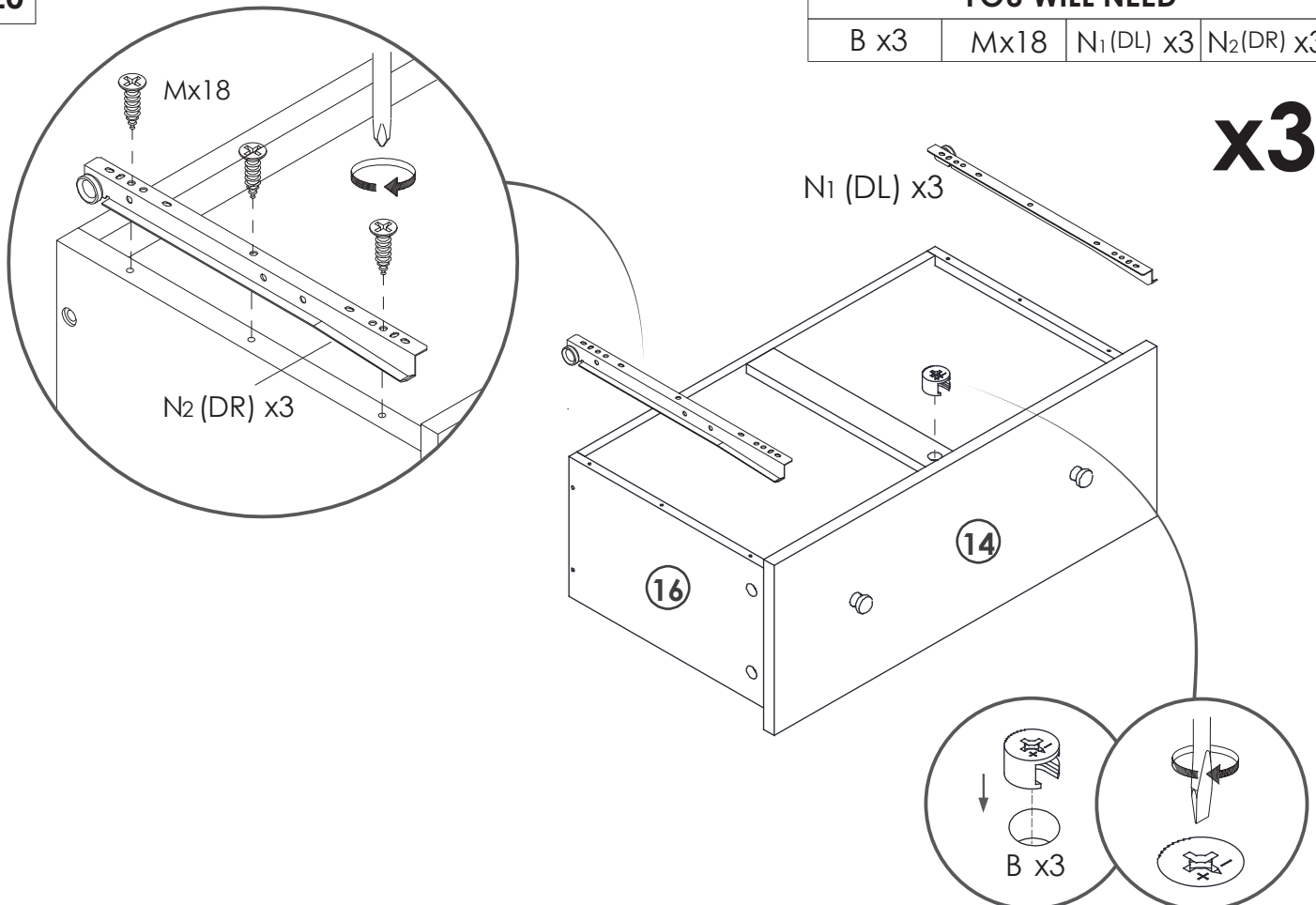
YOU WILL NEED

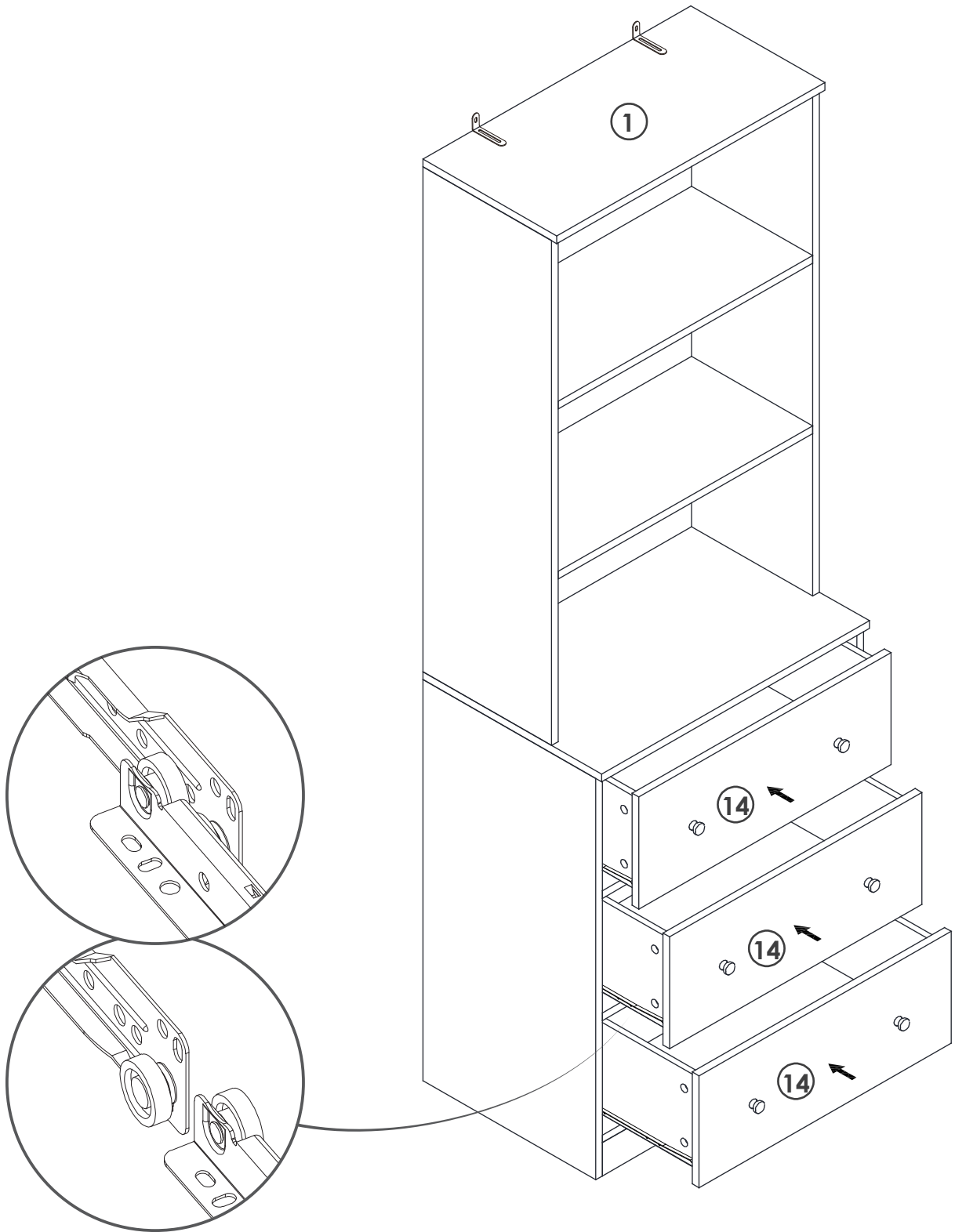
B x3

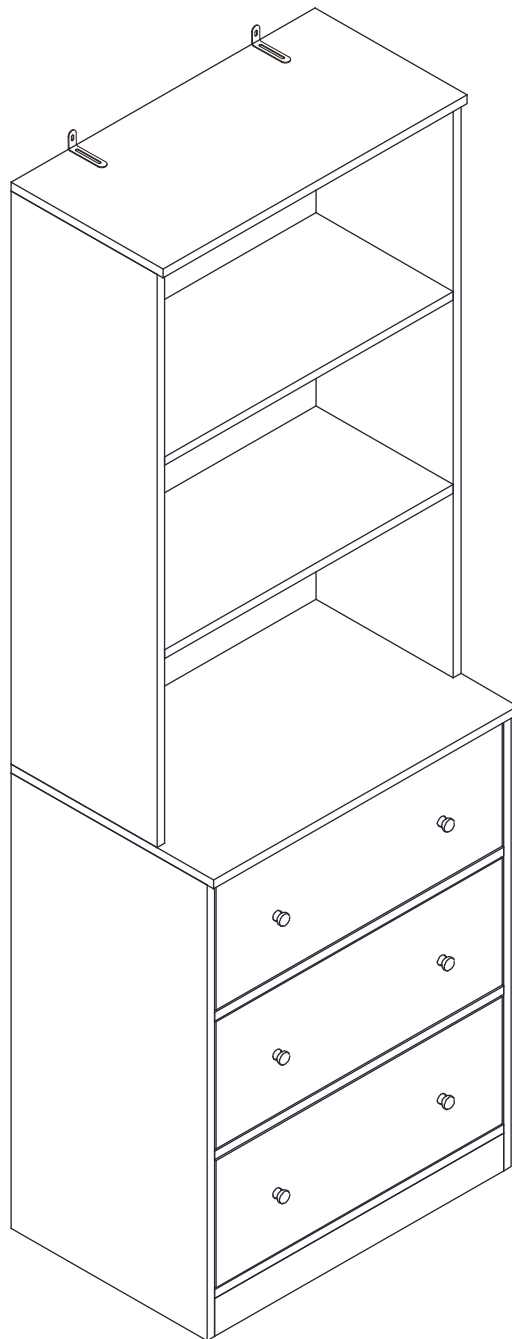
Mx18

N₁(DL) x3

N₂(DR) x3







GUARANTEE

Storage Cabinet offers a **90-days** warranty that begins on the date of the original purchase and applies to problems caused by the manufacturer. For questions, assistance, or support, please contact the Customer Service by e-mail with your order number and details. We will send you further information about the solution.

Model: XFT-002

Made in China

