

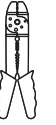
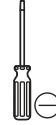
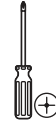
## ASSEMBLY INSTRUCTIONS



### CAUTION

- Inspect the wire insulation for any cuts, abrasions or exposed copper that may have resulted during shipping. If there is a defect in the wire, do not attempt installation.
- Before starting installation of this fixture or removal of a previous fixture, disconnect the power by turning off the circuit breaker or by removing the fuse at the fuse box.

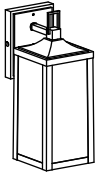
### TOOLS REQUIRED



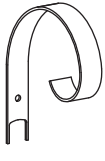
If you need further assistance, please contact us by Email: [customersupport@superiordecorinc.com](mailto:customersupport@superiordecorinc.com)

\* PARTS SHOWN MAY DIFFER SLIGHTLY PER LIGHT FIXTURE

### HARDWARE INCLUDED



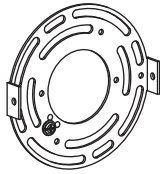
Fixture



Hook



Decorative Screw



Mounting Unit



Screws



Rubber Rings

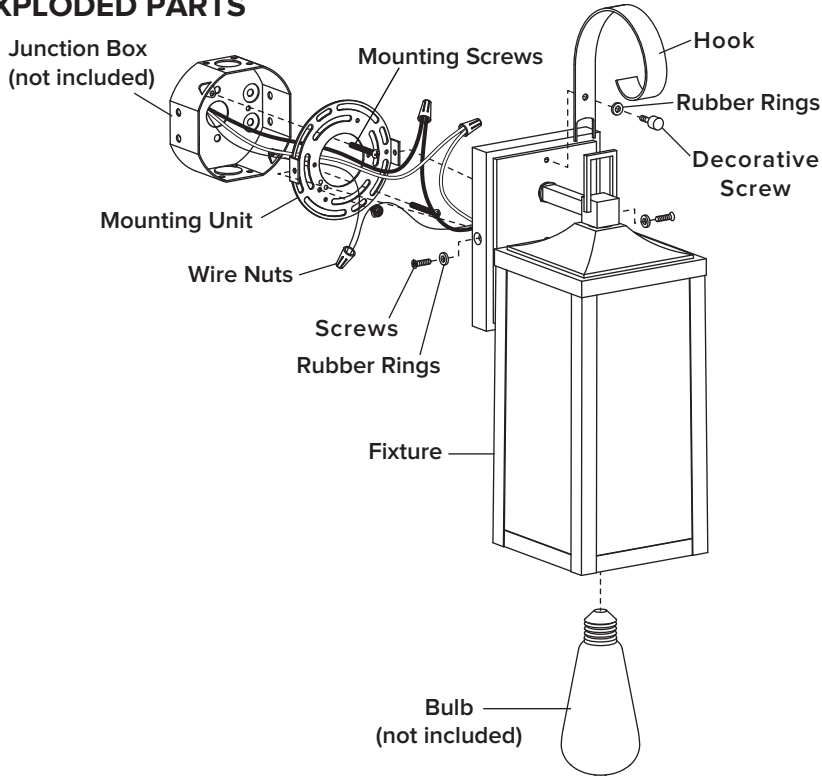


Mounting Screws



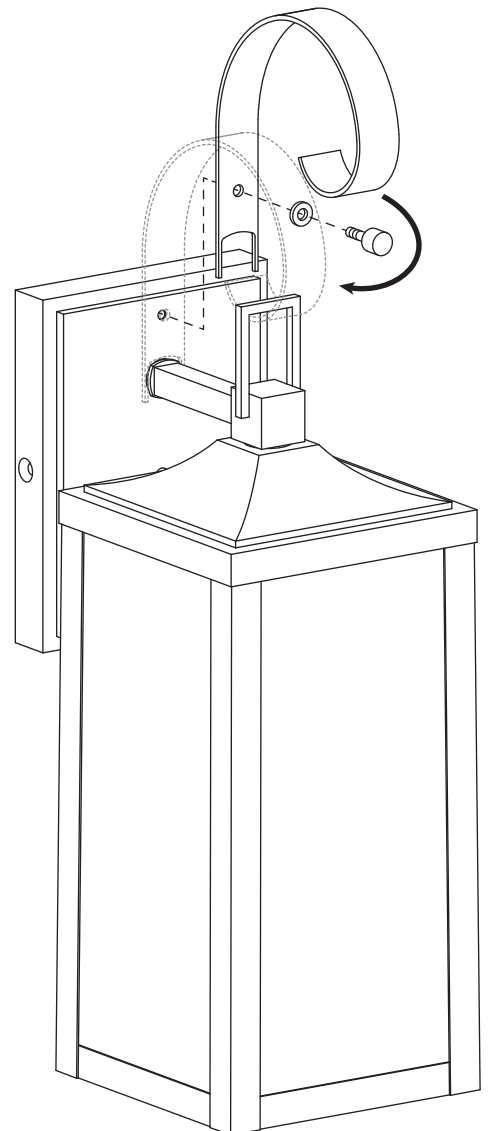
Wire Nuts

### EXPLODED PARTS



### STEP 2

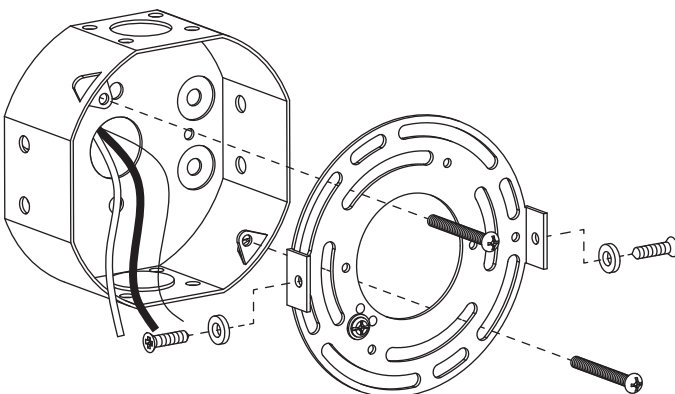
Use the **decorative screws** and **rubber ring** to attach the **hook** to the **fixture**.



### INSTALLATION

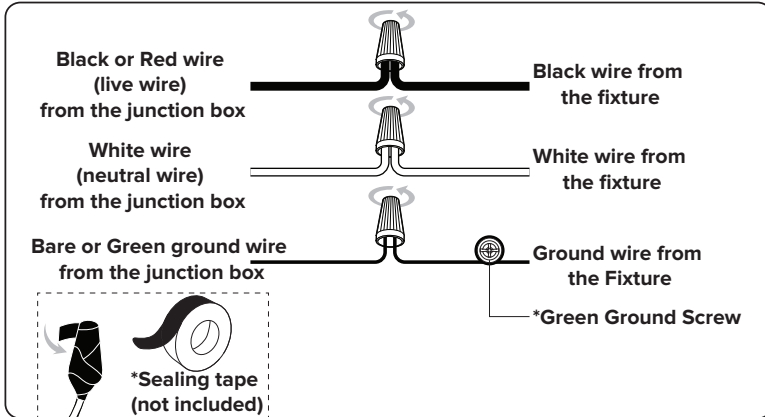
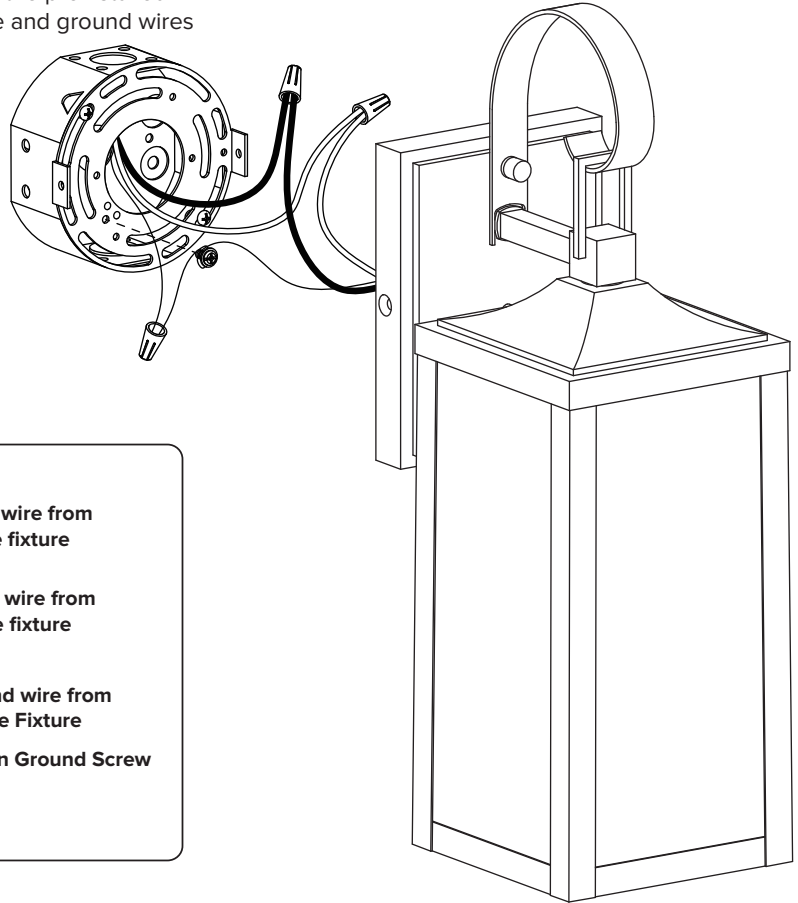
#### STEP 1

Unscrew the **rubber rings** and **screws** from the **mounting unit**. Use the **mounting screws** to attach the **mounting unit** to the junction box(not included).



### STEP 3

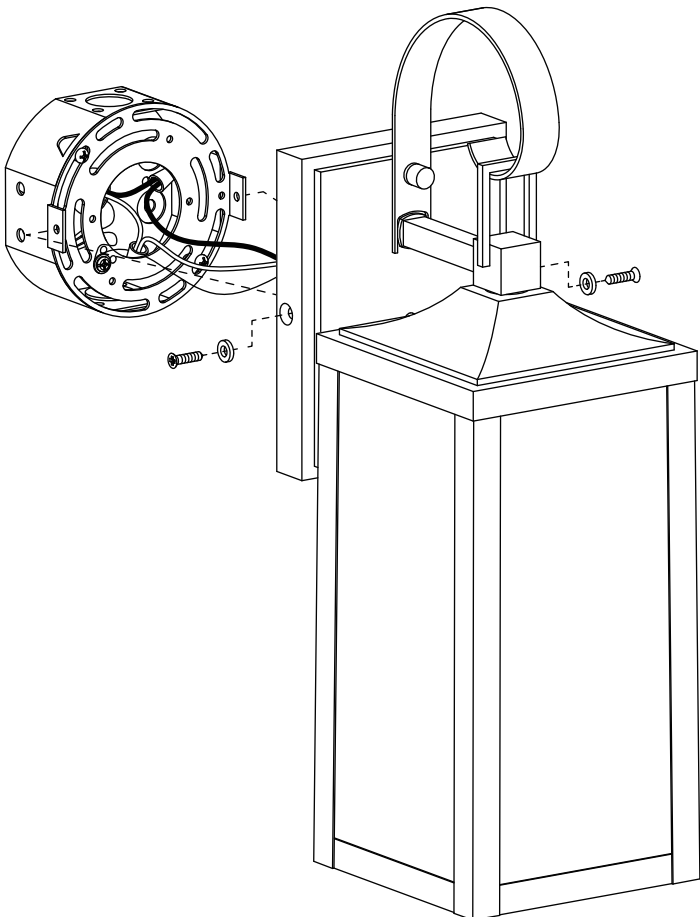
Make the electrical connection from the junction box (not included) to the **fixture**. Connect the ground wire to the **mounting unit** using the preinstalled green ground screw. Next, connect the live wire, neutral wire and ground wires with the supplied **wire nuts**. Secure with electrical tape.



### STEP 4

Attach the **fixture** to the **mounting unit** through **screw holes** as shown, and secure it with **rubber rings** and **screws**.

NOTICE: Please use caulk in the back plate and wall mounting surface to prevent water from entering.



### STEP 5

Install bulb (not included).

