

**Dream Hanging Basket**

# CONTENTS

Safety Instructions	3
Care & Maintenance	3
Parts List	4
Assembly	5
After sale	9

# Safety Instructions



Note Please retain these instructions for future reference, Always follow the safety instructions when using the Hanging Basket

The maximum weight of the Hanging Basket is about 350lbs, please do not exceed the maximum weight

Please fix all screws and knobs before use , Please read and understand this entire manual before attempting to assemble or install the product. It should not be used as a toy or tool.  
Children should not engage in the operation, assembly, removal, or disassembly of the product

Please use it on a stable ground, please do not use it in strong wind or storm environment

If any parts are broken, damaged, or missing, please do not attempt to assemble this product, please contact our customer service online

## Care & Maintain

If the hanging basket encounters a humid environment, it needs to be dried in a sunny or naturally ventilated environment

Store in a dry place during the of' season

Keep the hanging basket away from fire or heat sources.

When not in use, please put it away, Don't leave it in outdoor environment for a long time

## Fabric Care

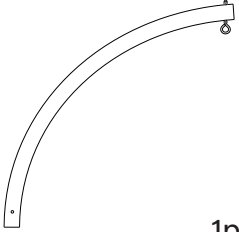
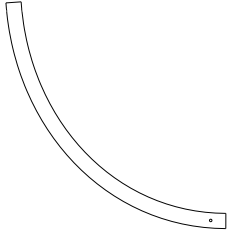
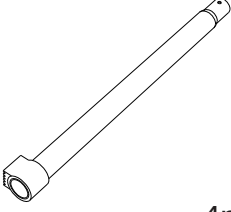
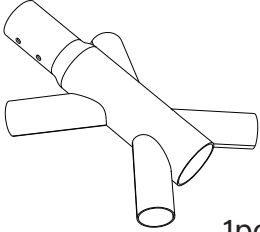
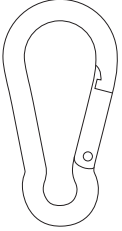

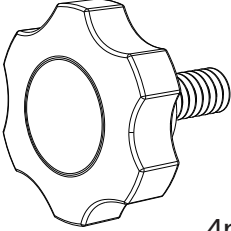
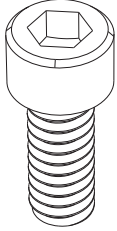


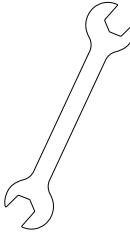

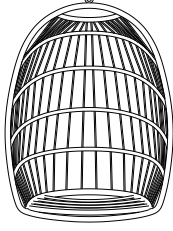
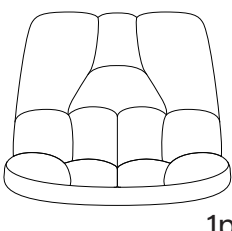

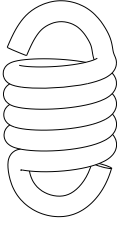
To spot clean, use mild soap with lukewarm water, rinse, and air dry.

Do not clean with bleach or solvents.

Please do not dry or dry clean

# Parts List

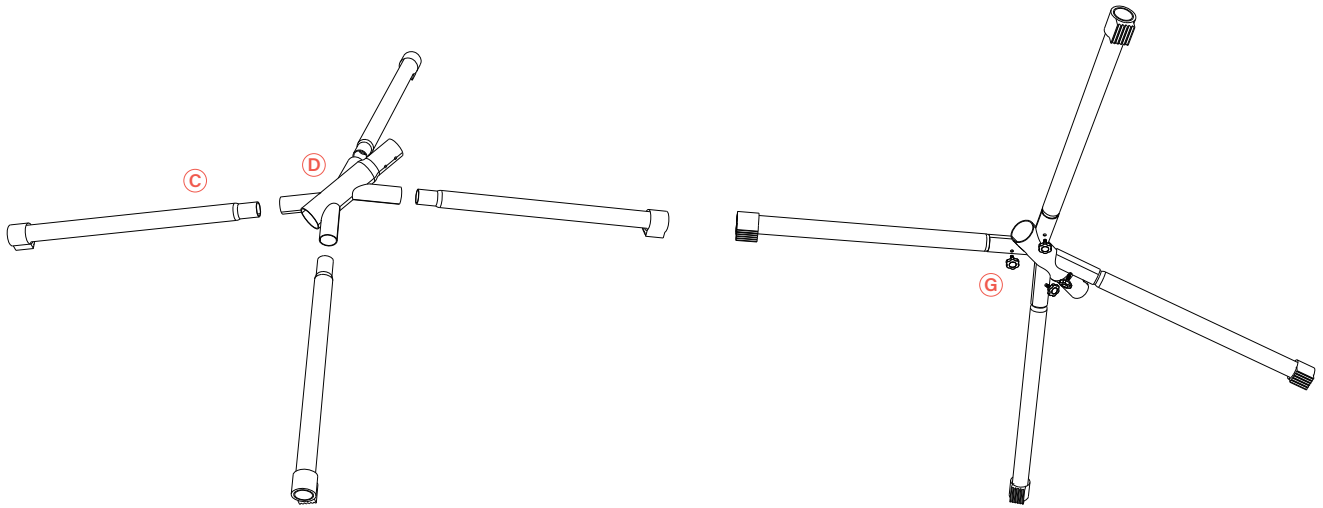
## Parts required

 1pc	 1pc	 4pc	 1pc
A	B	C	D
 1pc	 1pc	 4pc	 5pc
E	F	G	H
 1pc	 1pc	 2pc	 1pc
I	J	K	L
 1pc	 1pc	 1pc	 1pc
M	N	O	P

# Assembly

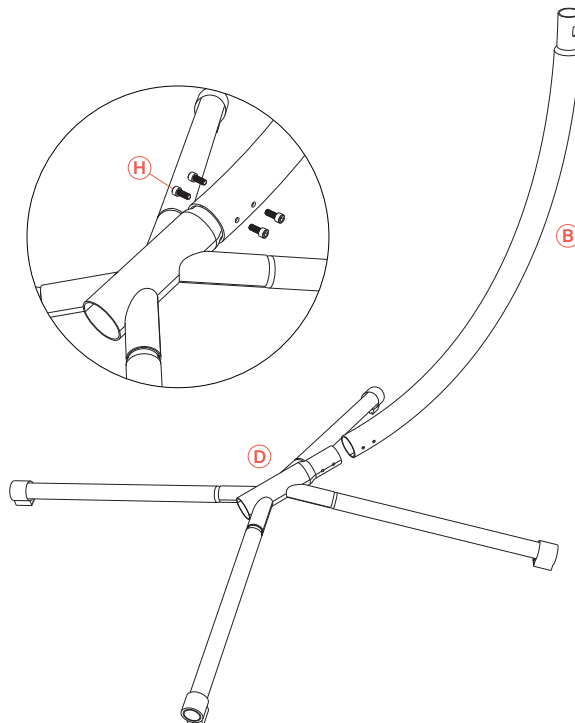
## Step1

Connect part C and part D, and use part G to fix.



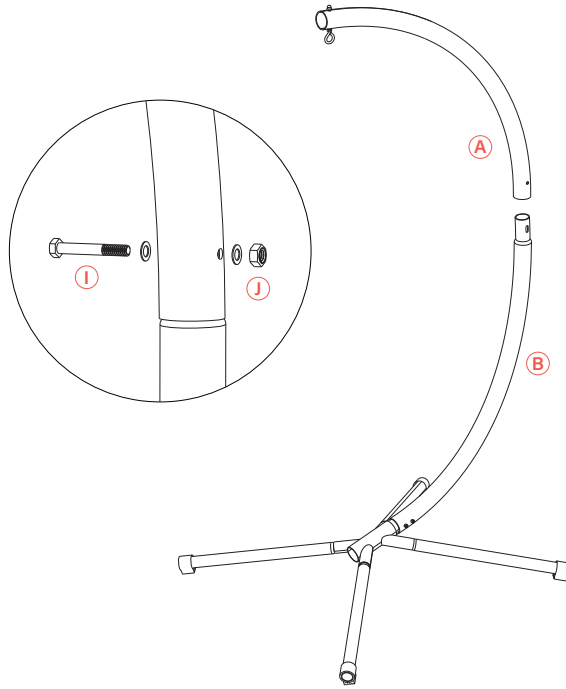
## Step2

Connect part B and part D, use part H screws to fix



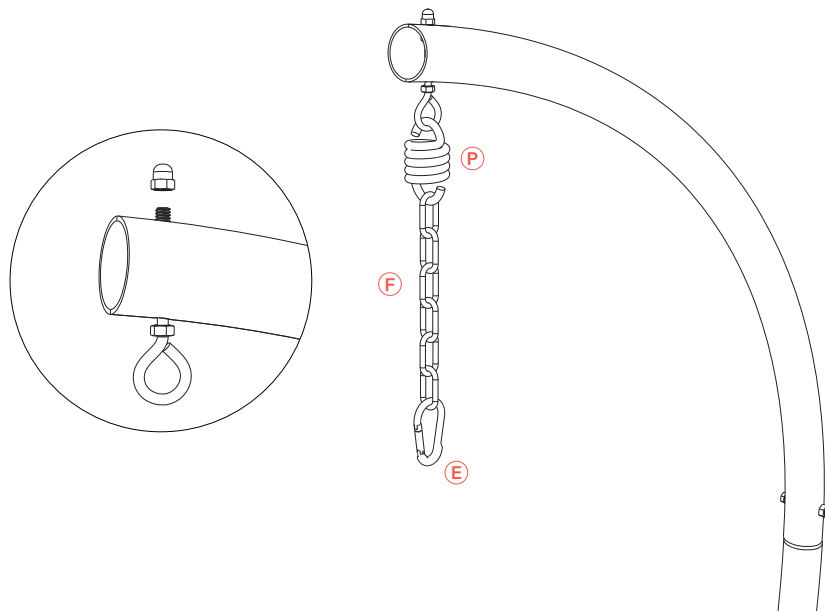
## Step3

Connect part A and part B, use the screws of part I and J to fix



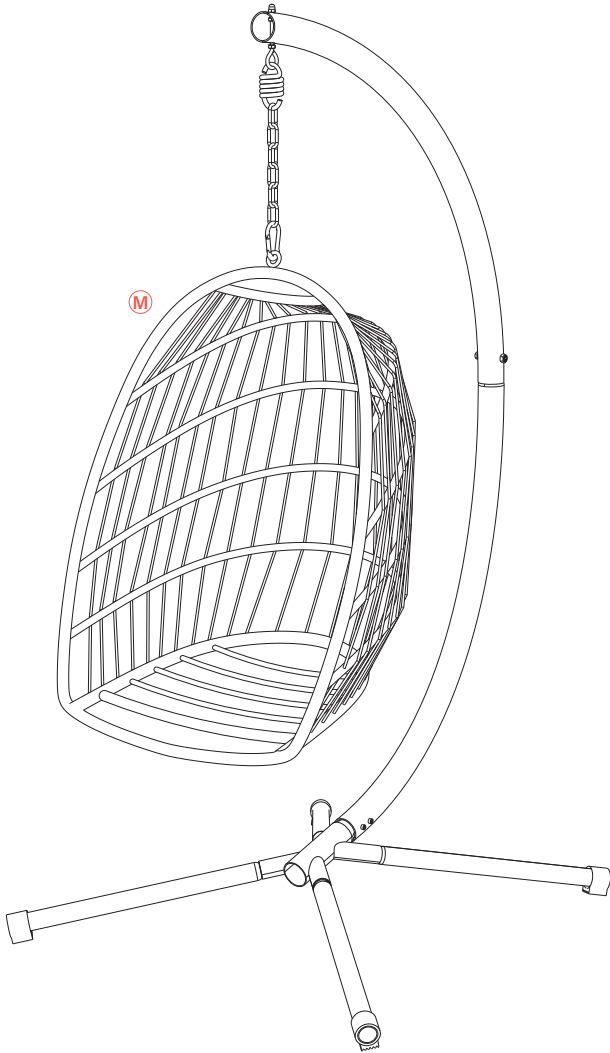
## Step4

Connect parts E, P, F



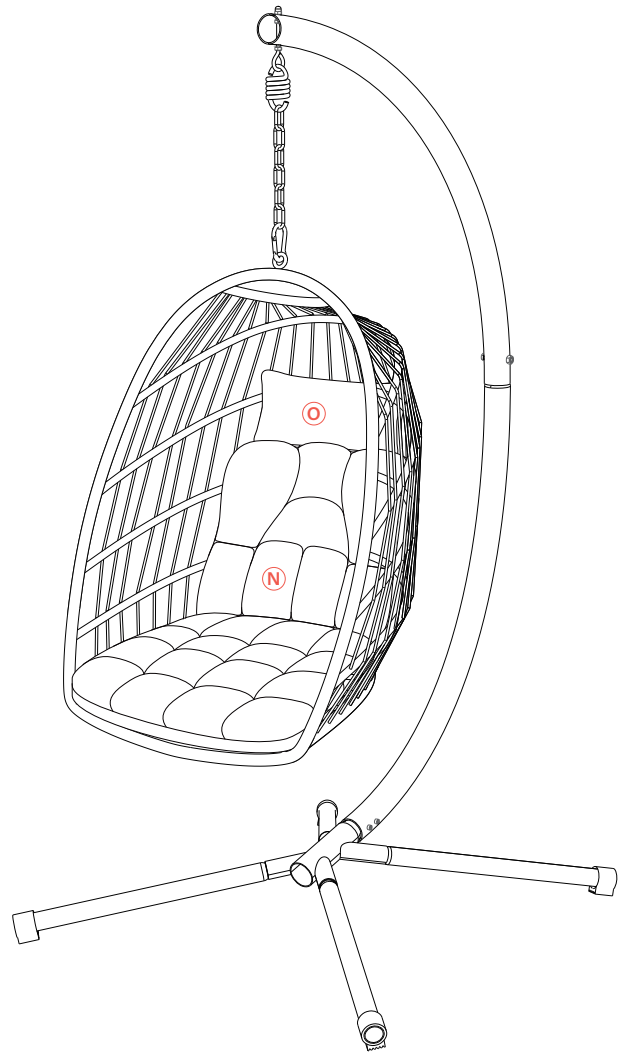
## Step5

Fix the hanging basket part M



## Step6

Fix the seat cushions and cushions of part N and O



# WARRANTY

For a period of two (2) years after date of purchase, the Manufacturer will either repair or replace defective components in accordance with this Limited Warranty. This warranty is between the Manufacturer and the original purchaser and is valid only when accompanied by the original purchaser's sales receipt showing original date of purchase and location of purchase. Replacements under this warranty revert back to the date of original purchase for future warranty.

The manufacturer or its authorized dealer can accept or reject warranty claims based on its findings. This warranty applies in normal residential use only and is not intended for commercial use. The Manufacturer can make substitutions as required of materials, components, and sub-components of comparable value and utility. This warranty is limited to product repair or replacement (to be determined solely by the Manufacturer). Warranty return is limited to only the single affected component.

This limited warranty covers only manufacturing defects and does not cover normal wear and tear, damage due to acts of nature (such as, but not limited to freezing or high winds), abuse or misuse, including chemical damage from suntan oil or other chemicals, exposure to extreme heat or cold, abrasion or excessive weight. This product is intended to be used in standard installations only. This warranty is void if the product is not used for its intended purpose. The Manufacturer disclaims liability for any aspect of installation and any inconvenience caused by a defective part of a component.

## **Certain items are not covered by this warranty. These include, but are not limited to the following:**

1. Components subjected to abuse, including abuse intended to simulate failure
2. Damages caused by retailer, shipper or installation crew (such as scratches, dents, tears, chips, etc.)
3. Any part that only shows normal wear and tear on the surface, including debris, scratches, or material stretching and stitching.
4. Tears, punctures, scratches or any damage caused by improper installation or use.
5. Damage to frames/welds resulting from improper assembly or exposure to water and/or sub-freezing temperatures is not covered.
6. The fading caused by other external forces on the umbrella cloth surface is not included.

If you need after-sales service, please provide the original purchase record and a brief description of the problem. Please also provide your email address or mobile number.

This is all express limited liability, we neither do nor bear any other guarantees. This exclusive remedy is limited to the acquisition and repair or replacement of any product or component deemed defective in accordance with the terms and conditions of this warranty. In any case, we will not be responsible for the use of this product, breach of this warranty or accident. Responsible for any accidental, indirect, special or consequential damages. Unless otherwise required by law. Except for the guarantees described here, there are no other express or implied guarantees, and all other guarantees are expressly denied, including any implied guarantees of merchantability or fitness for a specific purpose.