
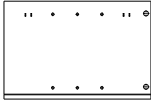
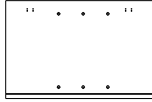
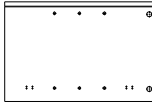
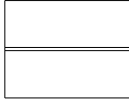

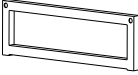
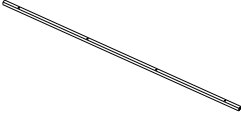




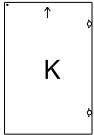
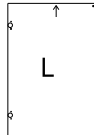
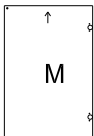
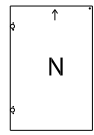
# ASSEMBLY INSTRUCTION FOR ACME FURNITURE

## MODEL#AC02342/AC02343




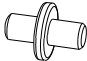

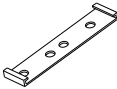
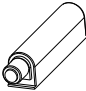
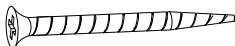
Thank you for purchasing this quality product. Be sure to check all packing material carefully for small parts which may have come loose inside the carton during shipment. Separate, identify and count all parts and metal hardware. Compare with parts list to be sure all parts are present. If any part(s) are missing or damaged, please contact your local furniture dealer. For efficient and speedy service, please indicate the model number and code letter of part(s) needed.


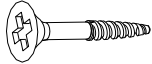
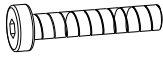


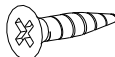



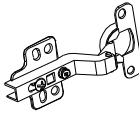

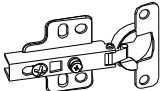


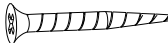


**\*\*\*Do not fully tighten screws until fully assembled\*\*\***

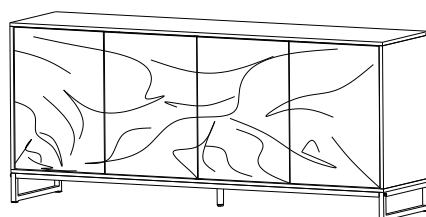
COMPONENT PARTS		
DESCRIPTION	PART NAME	Q'TY (PCS)
(A)	TOP BOARD 	1
(B)	LEFT BOARD 	1
(C)	MIDDLE BOARD 	1
(D)	RIGHT BOARD 	1
(E)	BACK BOARD 	2
(F)	BOTTOM BOARD 	1
(G)	PANEL- G 	2
(H)	STRETCHER 	2

(I)	<b>STRETCHER</b>		<b>1</b>
(J)	<b>SHELF BOARD</b>		<b>2</b>
(K)	<b>LEFT DOOR- K</b>		<b>1</b>
(L)	<b>MIDDLE DOOR-L</b>		<b>1</b>
(M)	<b>MIDDLE DOOR-M</b>		<b>1</b>
(N)	<b>RIGHT DOOR- N</b>		<b>1</b>

## HARDWARE REQUIRED

(1)		<b>CAM BOLT</b>	<b>6 x 38mm</b>	<b>6 PCS</b>
(2)		<b>WOOD DOWEL</b>	<b>8 x 30mm</b>	<b>12 PCS</b>
(3)		<b>CAM LOCK</b>	<b>15mm</b>	<b>6 PCS</b>
(4)		<b>SHELF HOLDER</b>	<b>5 x 15mm</b>	<b>8 PCS</b>
(5)		<b>SCREW</b>	<b>#3 x 1/2"</b>	<b>12 PCS</b>
(6)		<b>MAGNETIC PUSH- TO-CLOSE -A</b>	<b>73mm</b>	<b>4 PCS</b>
(7)		<b>MAGNETIC PUSH- TO-CLOSE -B</b>	<b>77mm</b>	<b>4 PCS</b>
(8)		<b>SCREW</b>	<b>8 X 2-1/4"</b>	<b>6 PCS</b>

9		<b>HOLDER</b>		<b>8 PCS</b>
10		<b>SCREW</b>	<b>2.8mm x 18mm</b>	<b>8 PCS</b>
11		<b>BOLT</b>	<b>1/4" x 1-1/2"</b>	<b>4 PCS</b>
12		<b>ALLEN WRENCH</b>	<b>1/4"</b>	<b>1 PC</b>
13		<b>END CAP</b>	<b>20mm</b>	<b>4 PCS</b>
14		<b>SCREW</b>	<b>8 x 5/8"</b>	<b>58 PCS</b>
15		<b>DOUBLE-HEADED BOLT</b>	<b>1/4" x 1-1/4"</b>	<b>1 PC</b>
16		<b>WASHER</b>	<b>32mm Φ</b>	<b>1 PC</b>
17		<b>LEVELER</b>	<b>1/4" x 1/2"</b>	<b>1 PC</b>
18		<b>HINGE</b>		<b>4 PCS</b>
19		<b>WASHER</b>	<b>15mm Φ</b>	<b>4 PCS</b>
20		<b>HINGE</b>		<b>4 PCS</b>
21		<b>L BRACKET</b>	<b>25mm</b>	<b>4 PCS</b>
22		<b>WALL ANCHOR</b>	<b>26mm</b>	<b>2 PCS</b>
23		<b>SCREW</b>	<b>8 x 1-1/2"</b>	<b>10 PCS</b>
24		<b>PLASTIC STRAP</b>	<b>250mm</b>	<b>2 PCS</b>
25		<b>BOLT CAP</b>	<b>11mm</b>	<b>4 PCS</b>

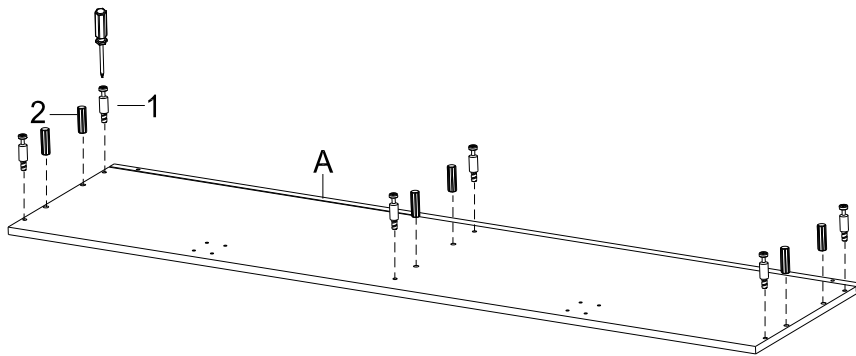


**Attention**

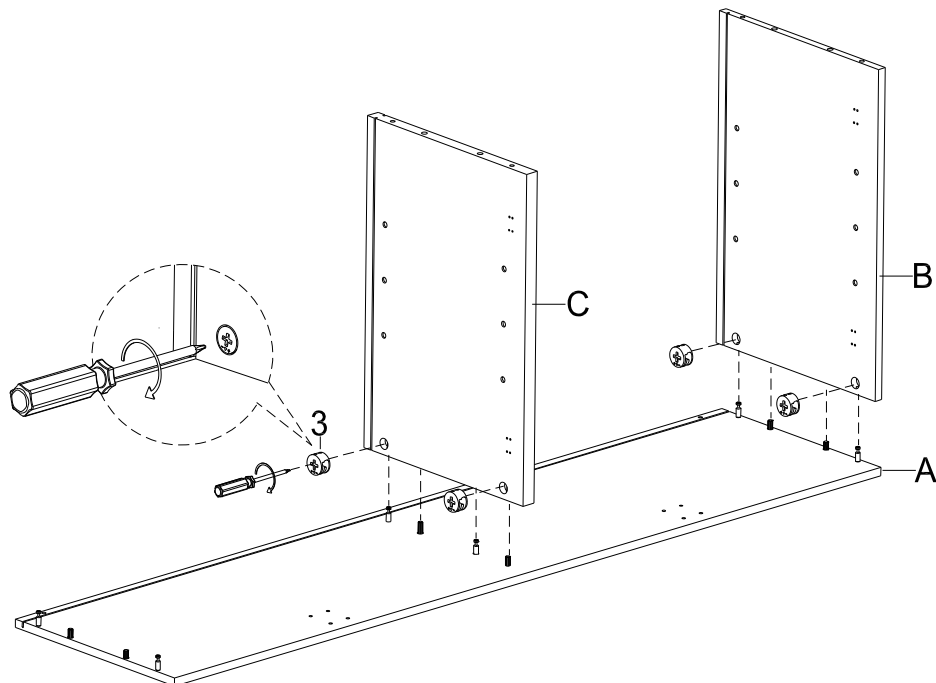
\*\*\*Some number parts listed on the instruction sheet may not be in parts bag as they may be assembled.  
Carefully check parts and packing materials prior to ordering replacements.

**How to assemble:**

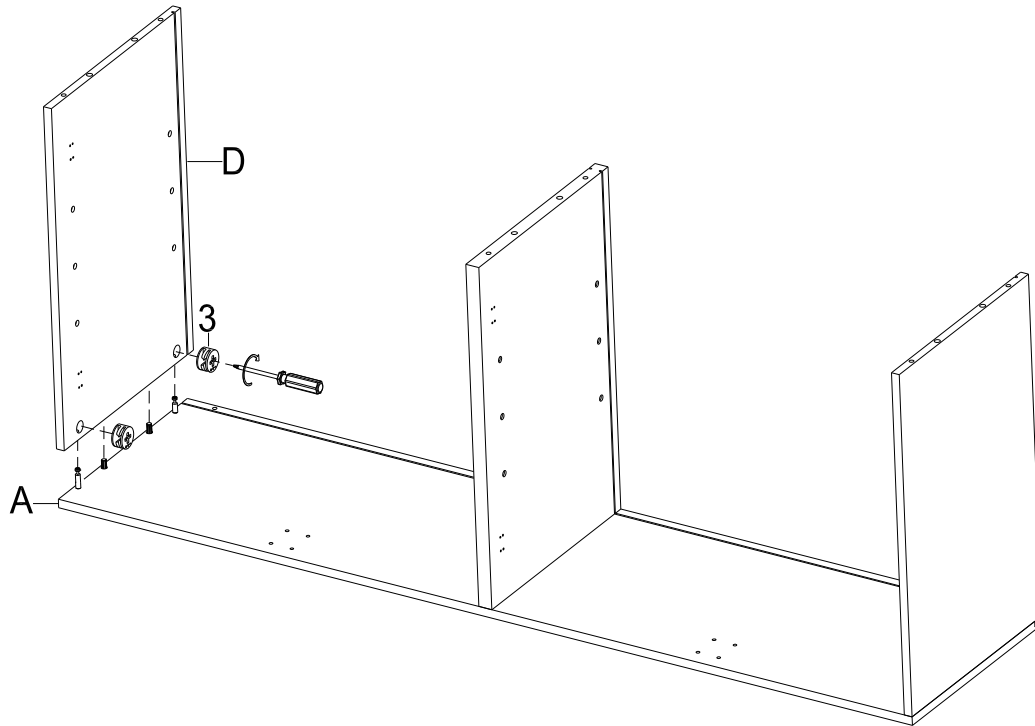
**STEP 1**



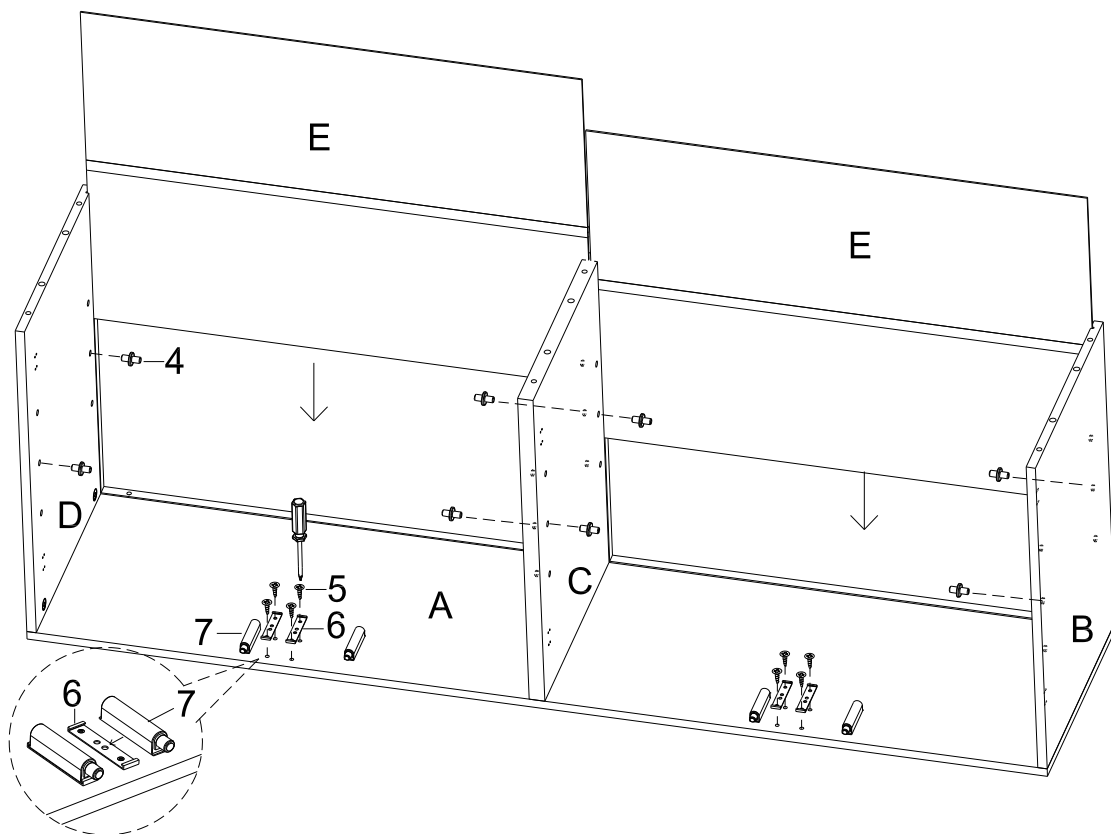
**STEP 2**



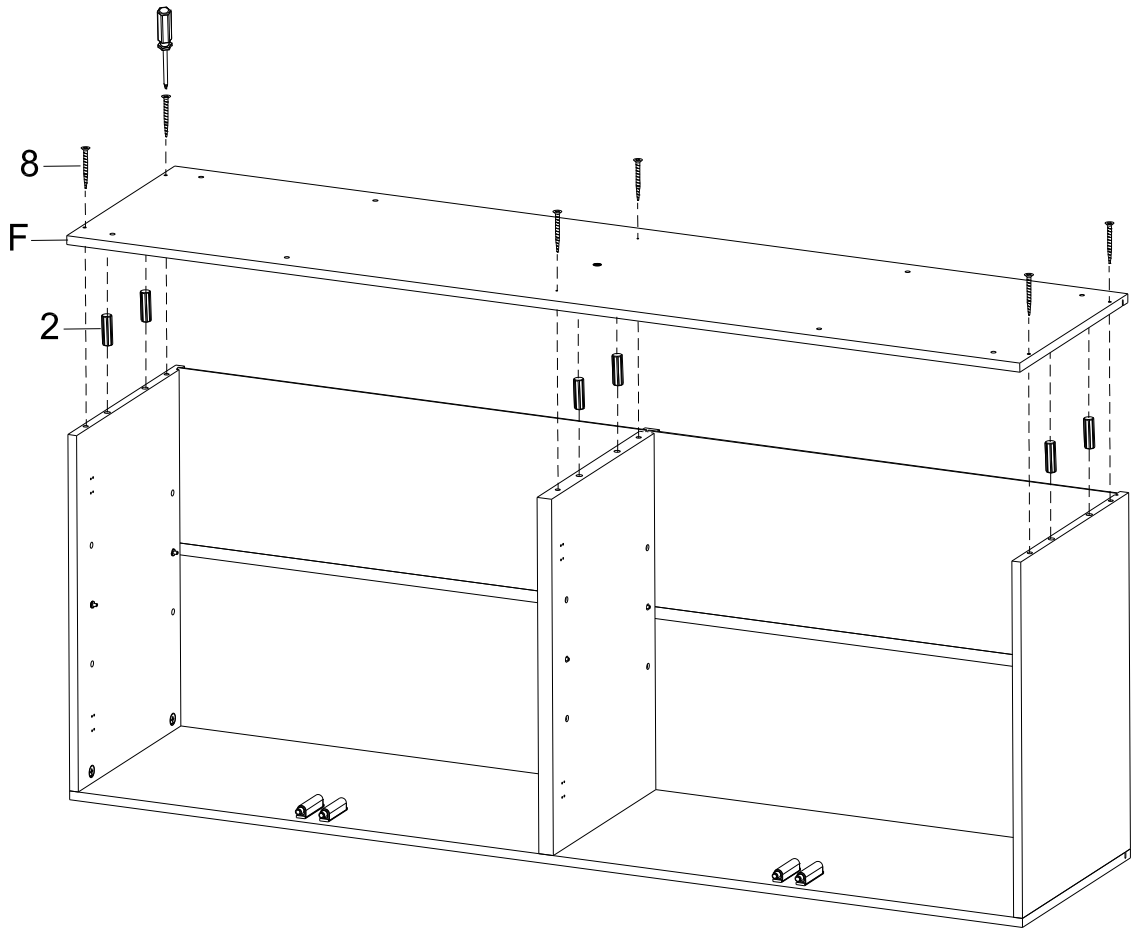
### STEP 3



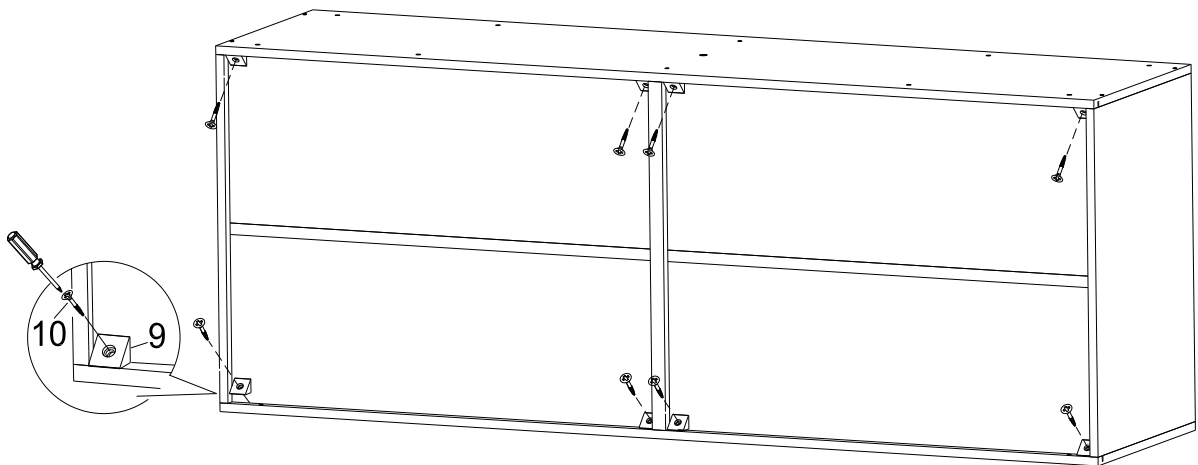
### STEP 4



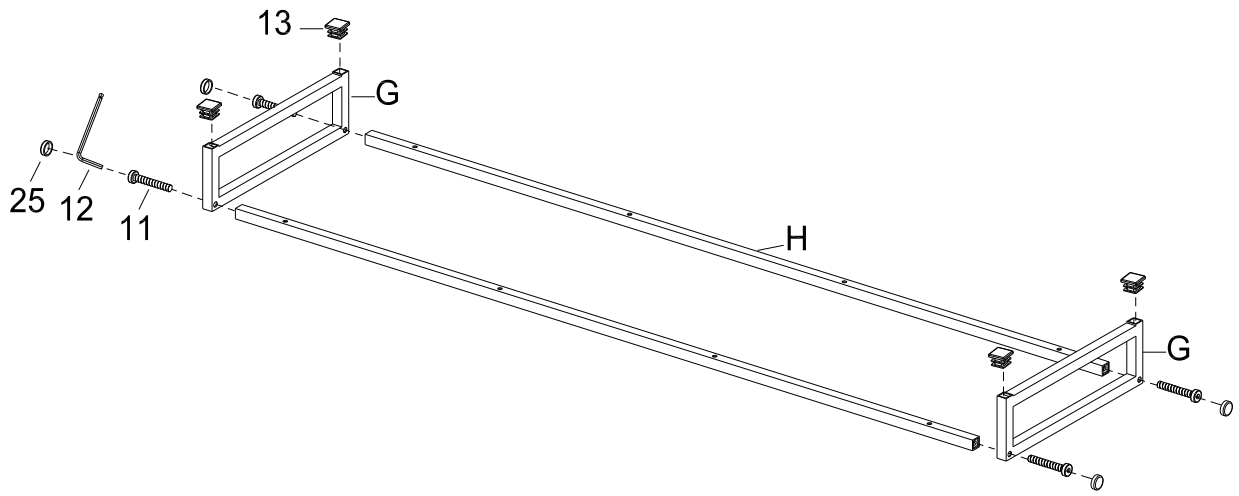
**STEP 5**



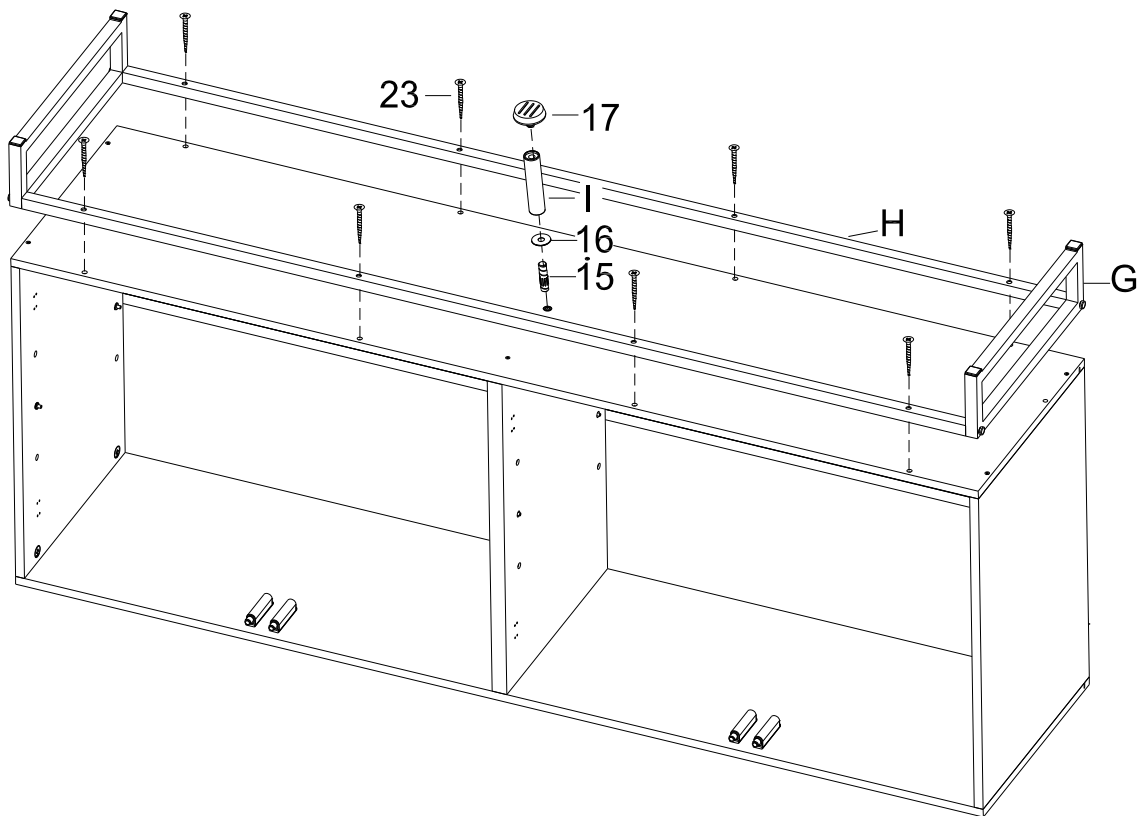
**STEP 6**



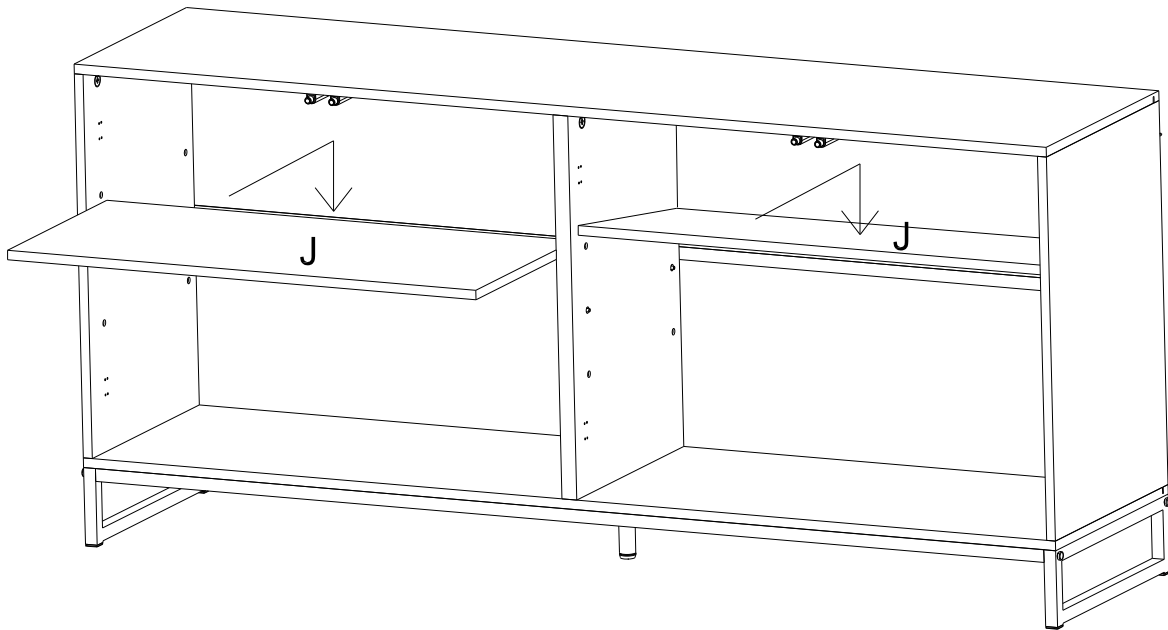
**STEP 7**



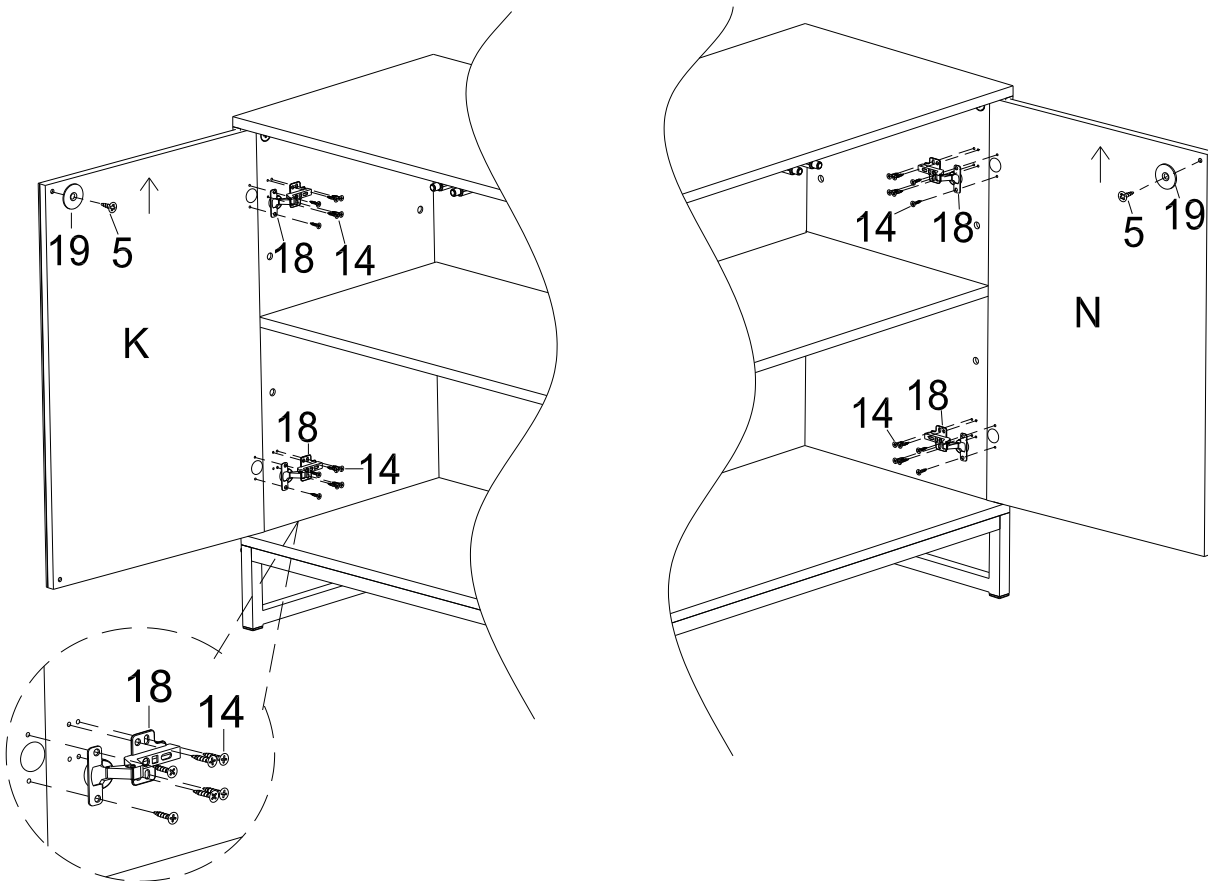
**STEP 8**



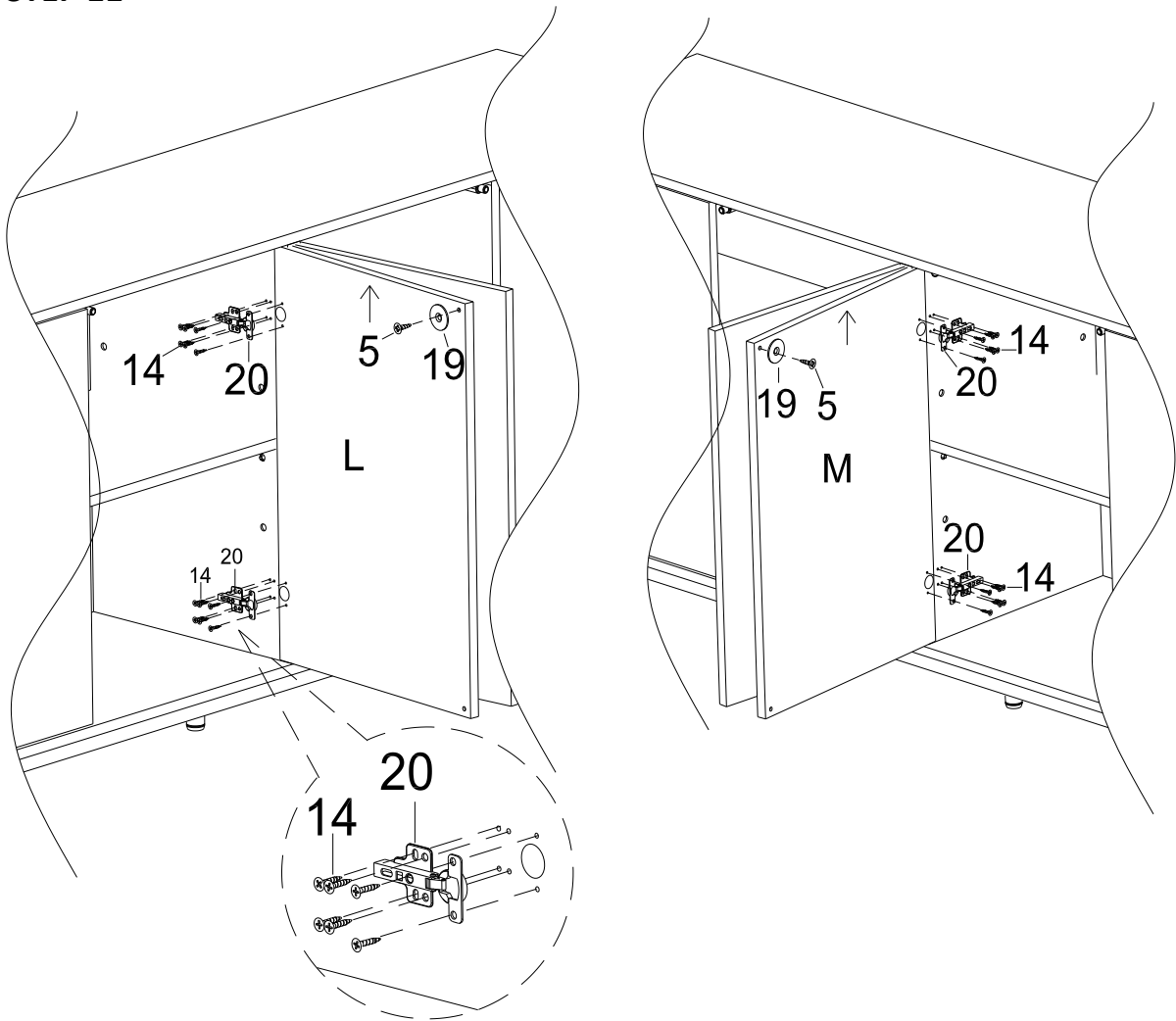
**STEP 9**



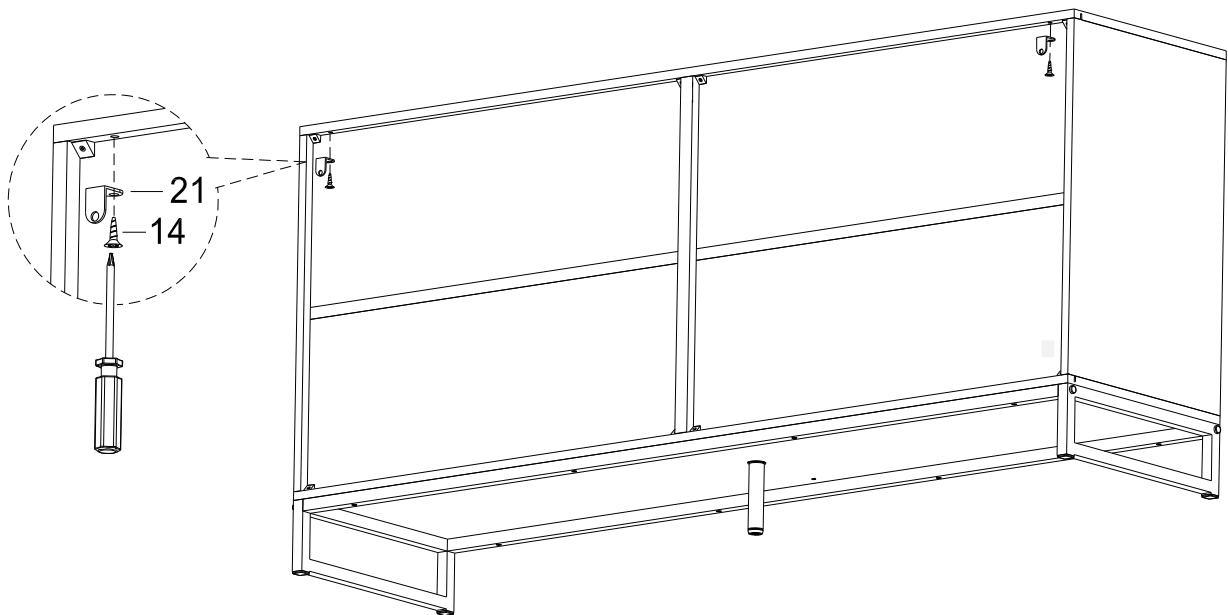
**STEP 10**



**STEP 11**



**STEP 12**



**STEP 13**

