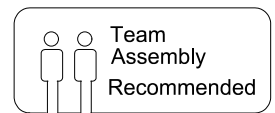
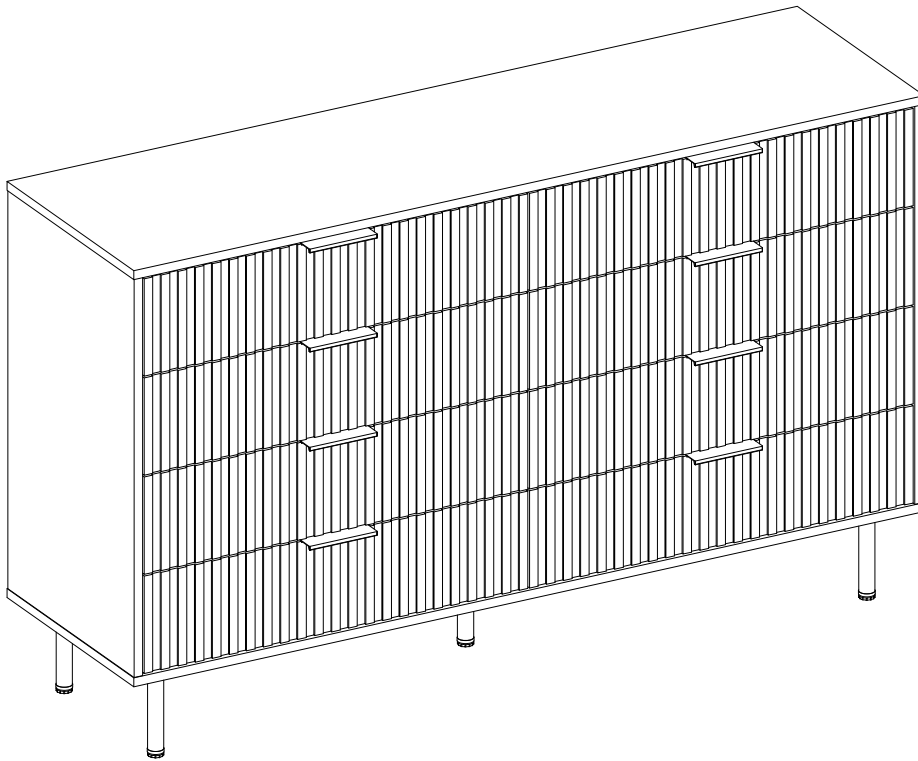


SPU:PHO_33HQ
LOT NO.: YB-NO.14

Drawer Cabinet Installation Manual



Trouble shooting:

Missing / Wrong / Broken parts and installation issues



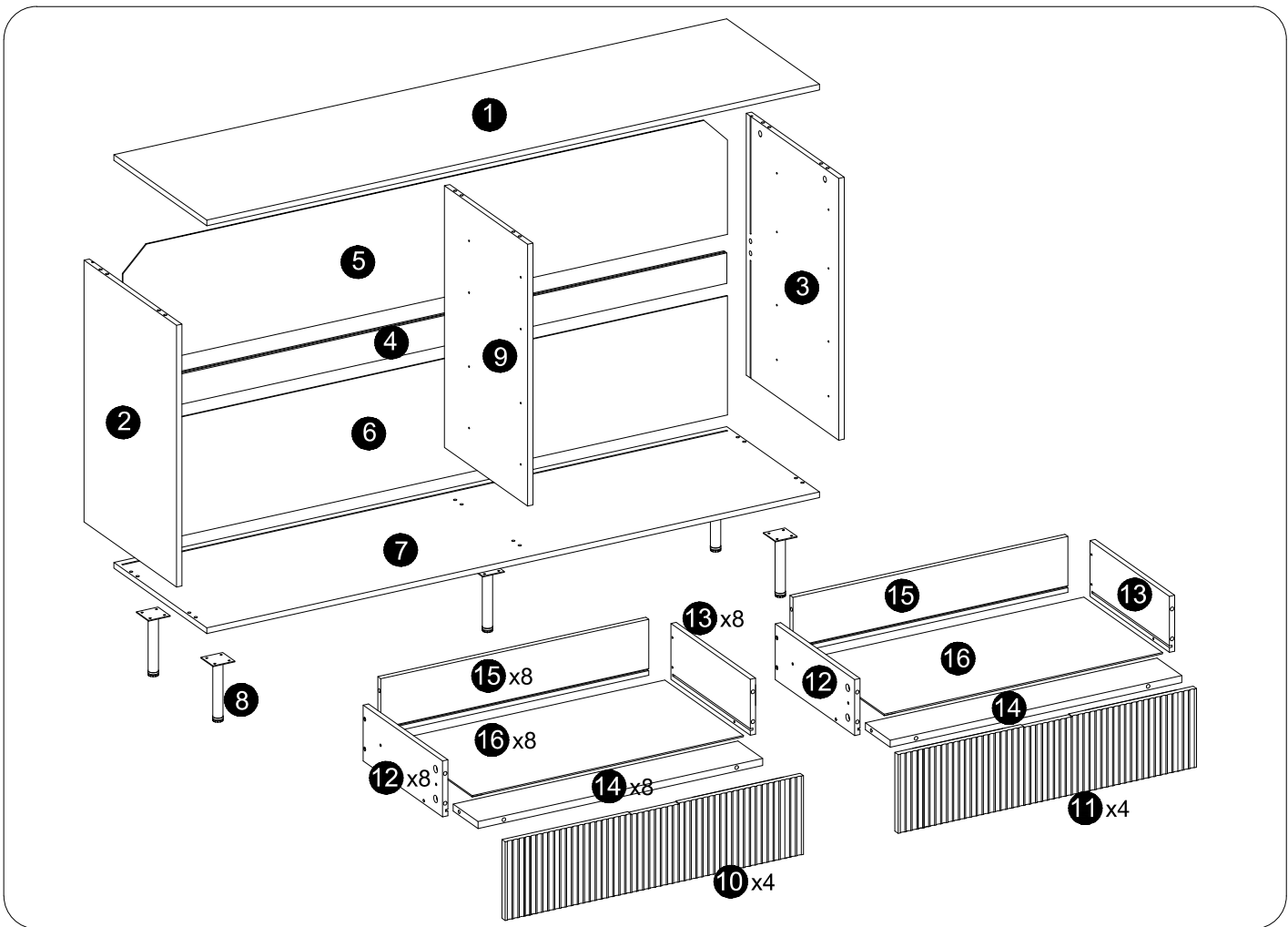
Send email with your question, pic and order NO. to
service2003@yeah.net




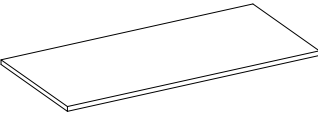

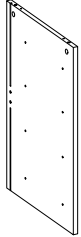
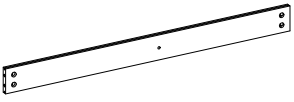
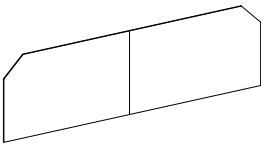
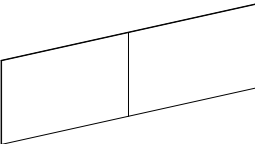
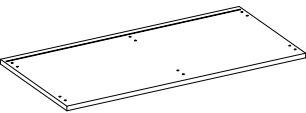
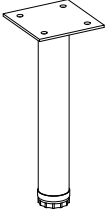
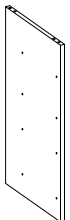
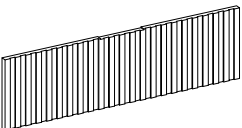
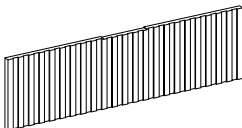
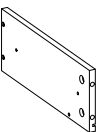
Respond within 24 hours

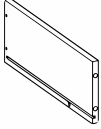
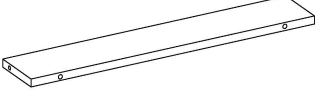





Issue resolved

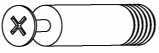




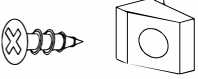

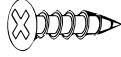



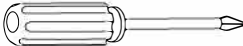
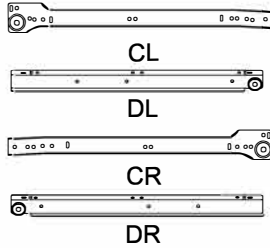


Componets 

<p>1 x1</p> 	<p>2 x1</p> 	<p>3 x1</p> 	<p>4 x1</p> 
<p>5 x1</p> 	<p>6 x1</p> 	<p>7 x1</p> 	<p>8 x5</p> 
<p>9 x1</p> 	<p>10 x4</p> 	<p>11 x4</p> 	<p>12 x8</p> 

<p>13 x8</p> 	<p>14 x8</p> 	<p>15 x8</p> 	<p>16 x8</p> 
-------------------------------------------------------------------------------------------------------	-------------------------------------------------------------------------------------------------------	--------------------------------------------------------------------------------------------------------	---------------------------------------------------------------------------------------------------------

Screws & Tools 

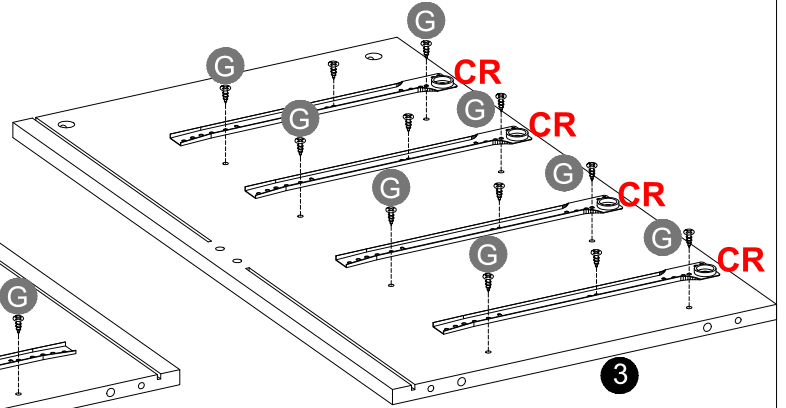
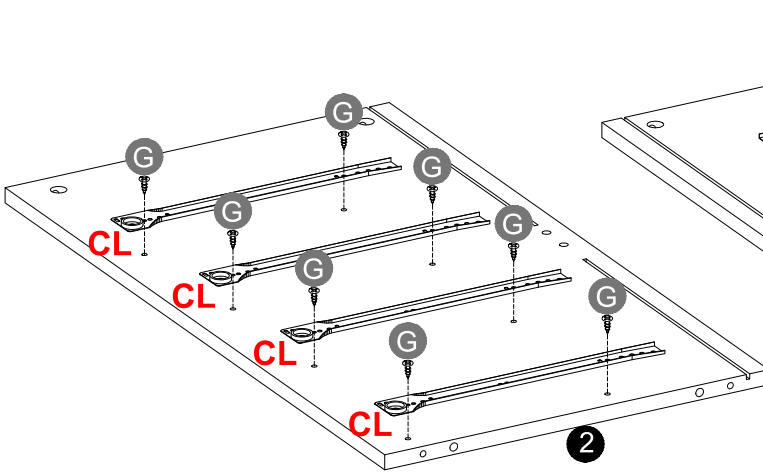
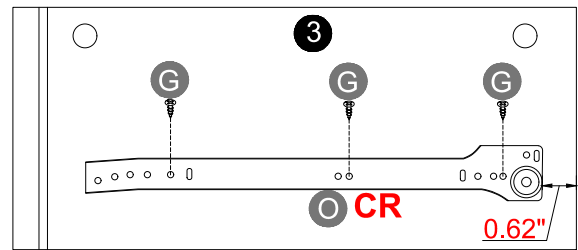
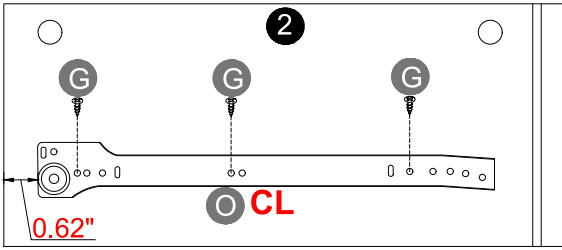
<p>A x58+5</p>  <p>M6x40</p>	<p>B x12+1</p>  <p>Ø8x30</p>	<p>C x58+5</p>  <p>Ø15x10</p>	<p>D x55+5</p>  <p>M5x38</p>
<p>E x16+1</p>  <p>M3x12</p>	<p>F x16+1</p>  <p>M3x12</p>	<p>G x96+9</p>  <p>M3x14</p>	<p>H x20+2</p>  <p>M4x15</p>
<p>I x8</p> 	<p>J x2</p>  	<p>K x1</p> 	<p>O x8</p>  <p>CL</p> <p>DL</p> <p>CR</p> <p>DR</p>

Step 1

G M3x14
24pcs

O CL
CR
4pcs

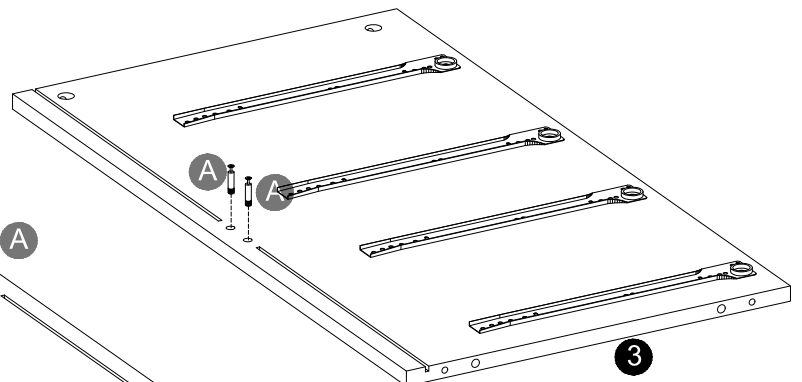
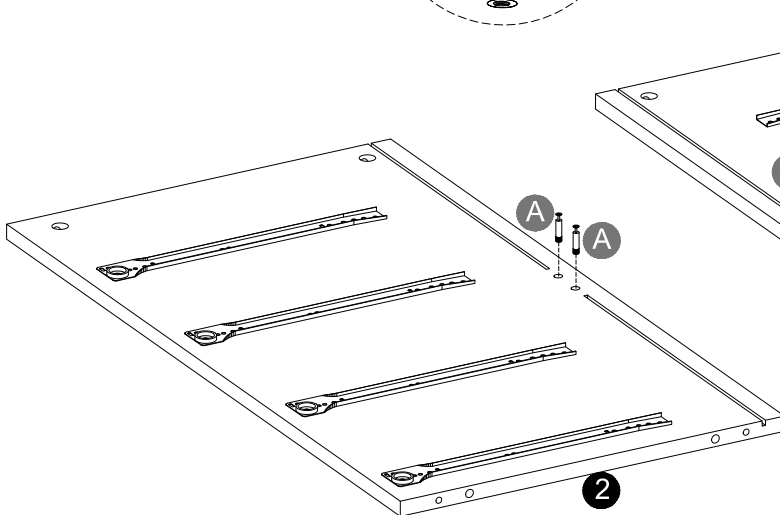
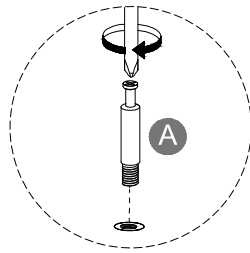
K



Step 2

A M6x40
4pcs

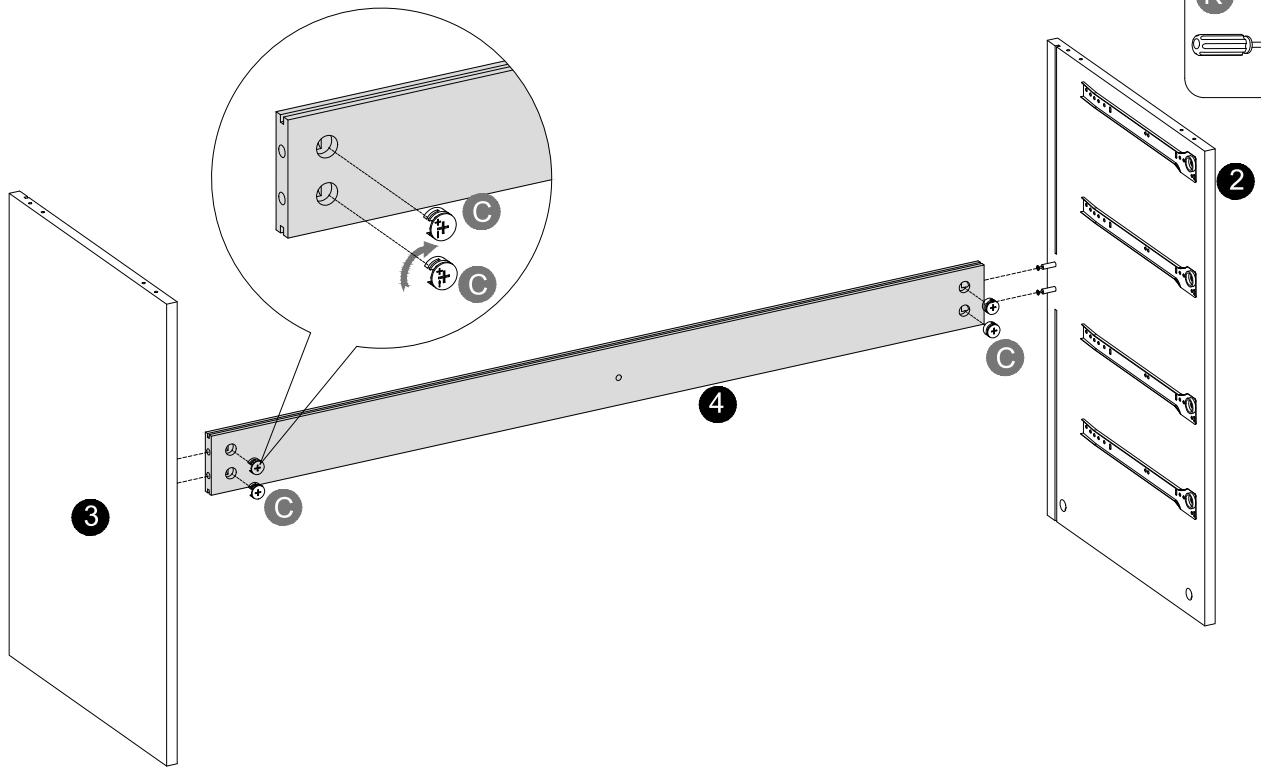
K



Step 3

C Ø15x10
4pcs

K
Screwdriver



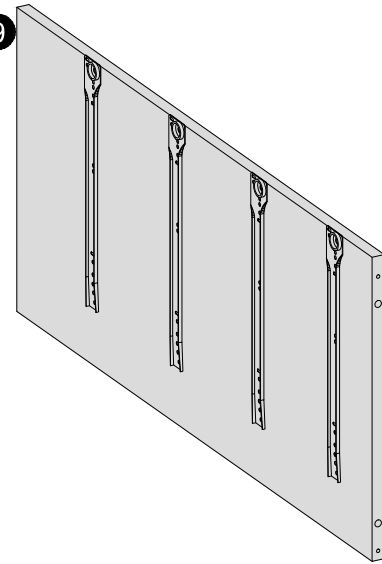
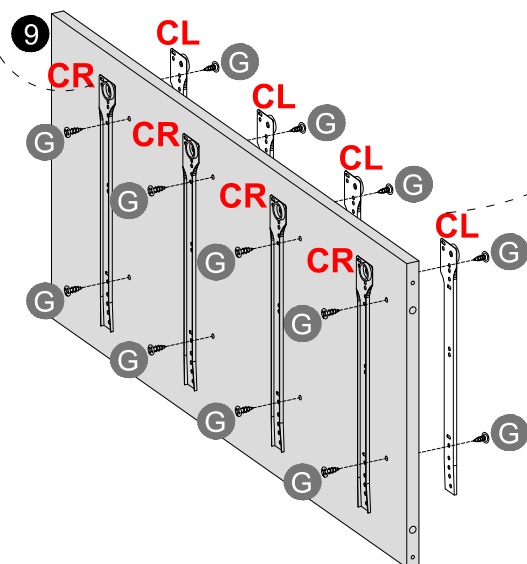
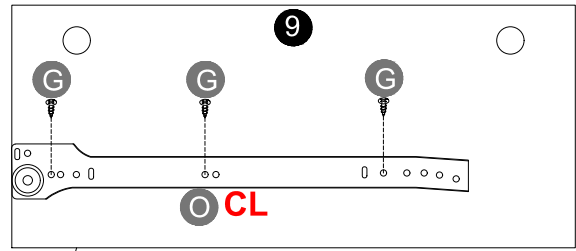
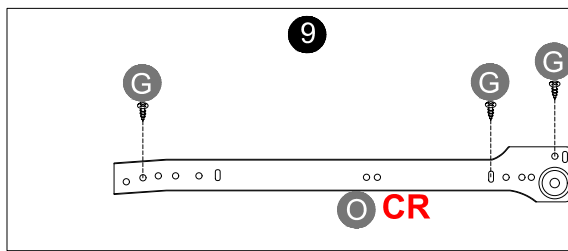
Step 4

B Ø8x30
2pcs

G M3x14
24pcs

O1 CL
CR
4pcs

K
Screwdriver



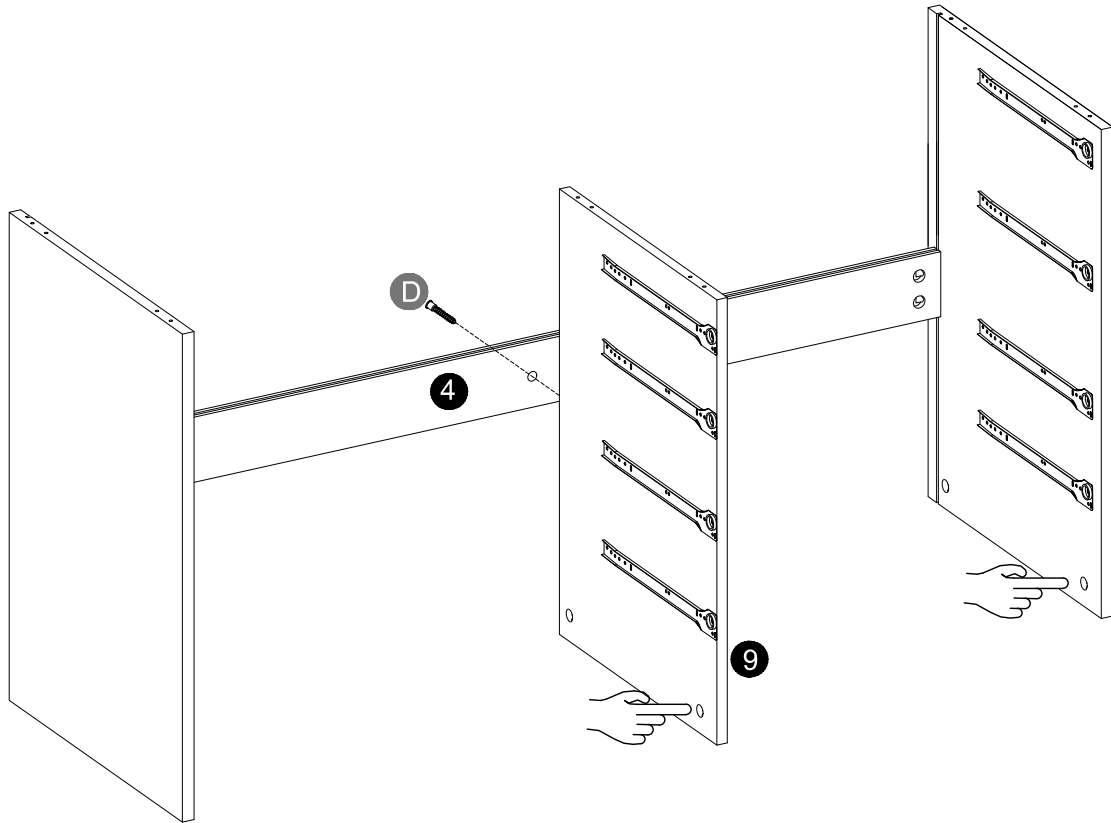
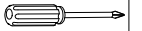
Step 5

D M5x38



1pc

K



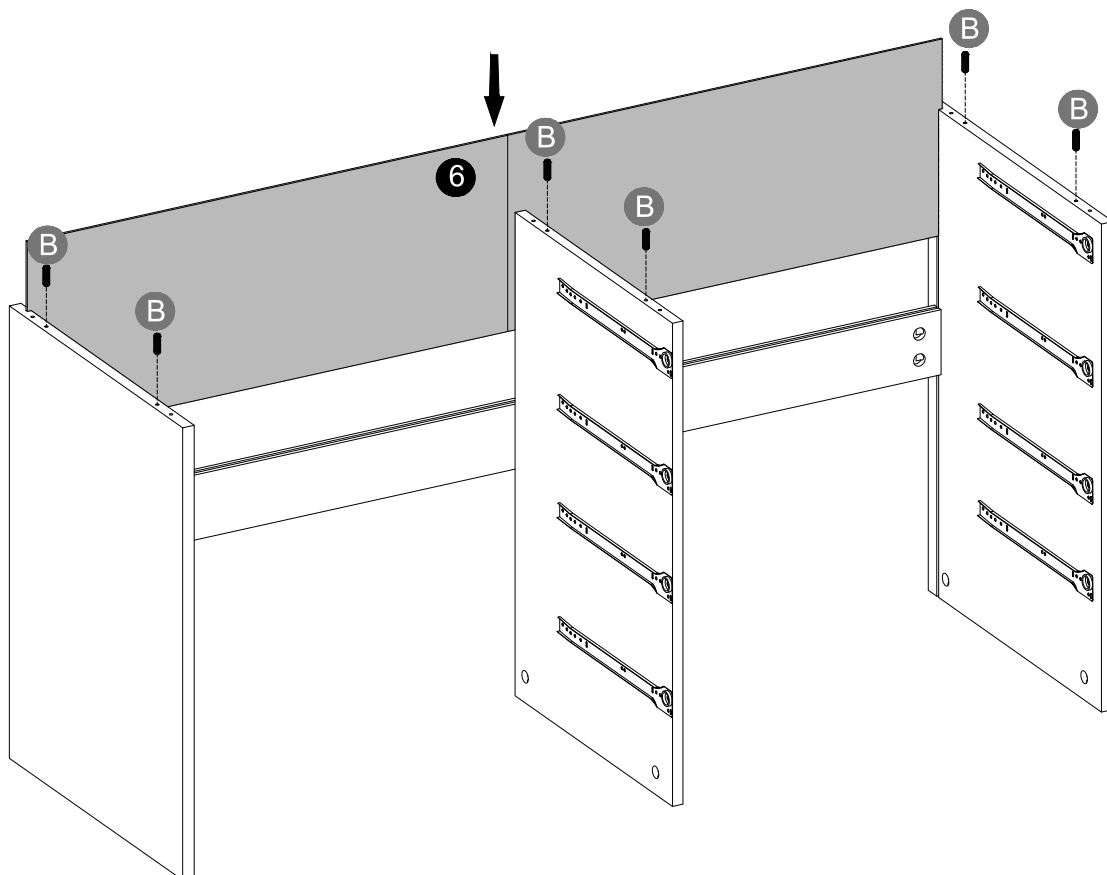
Step 6

B Ø8x30



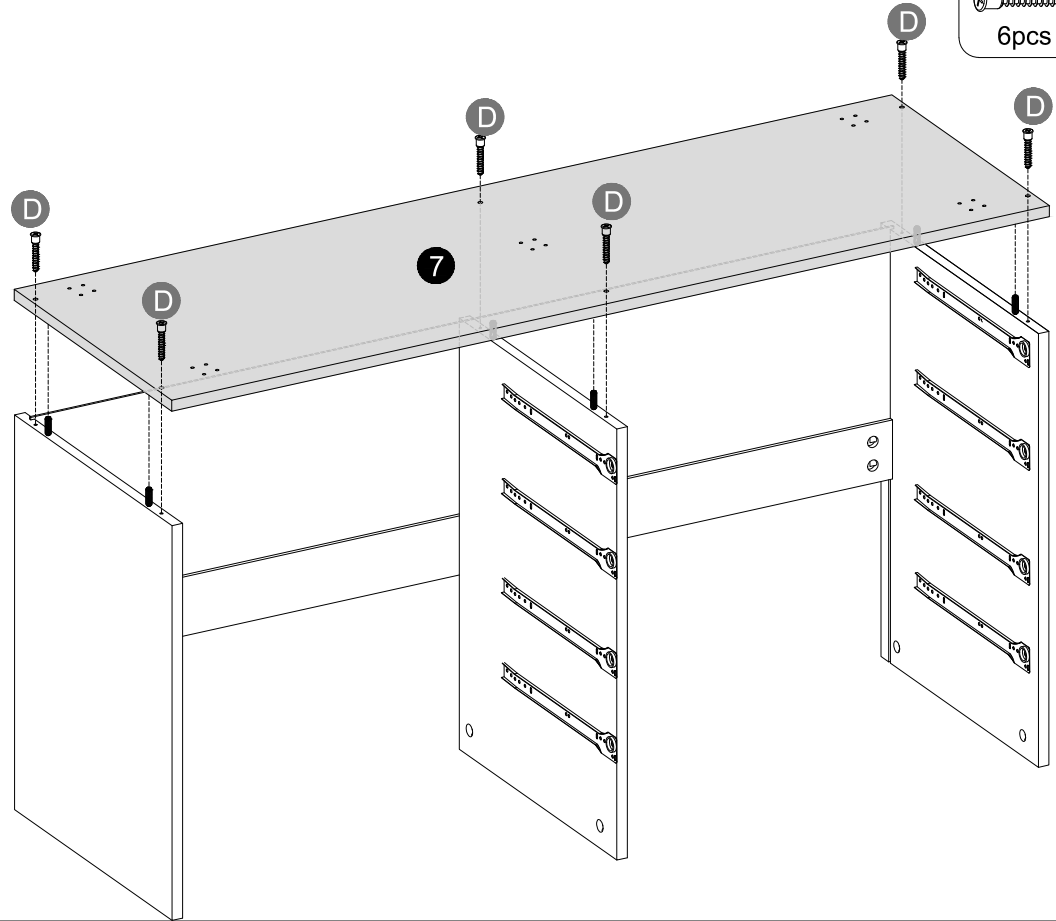
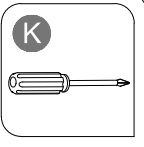
6pcs

K



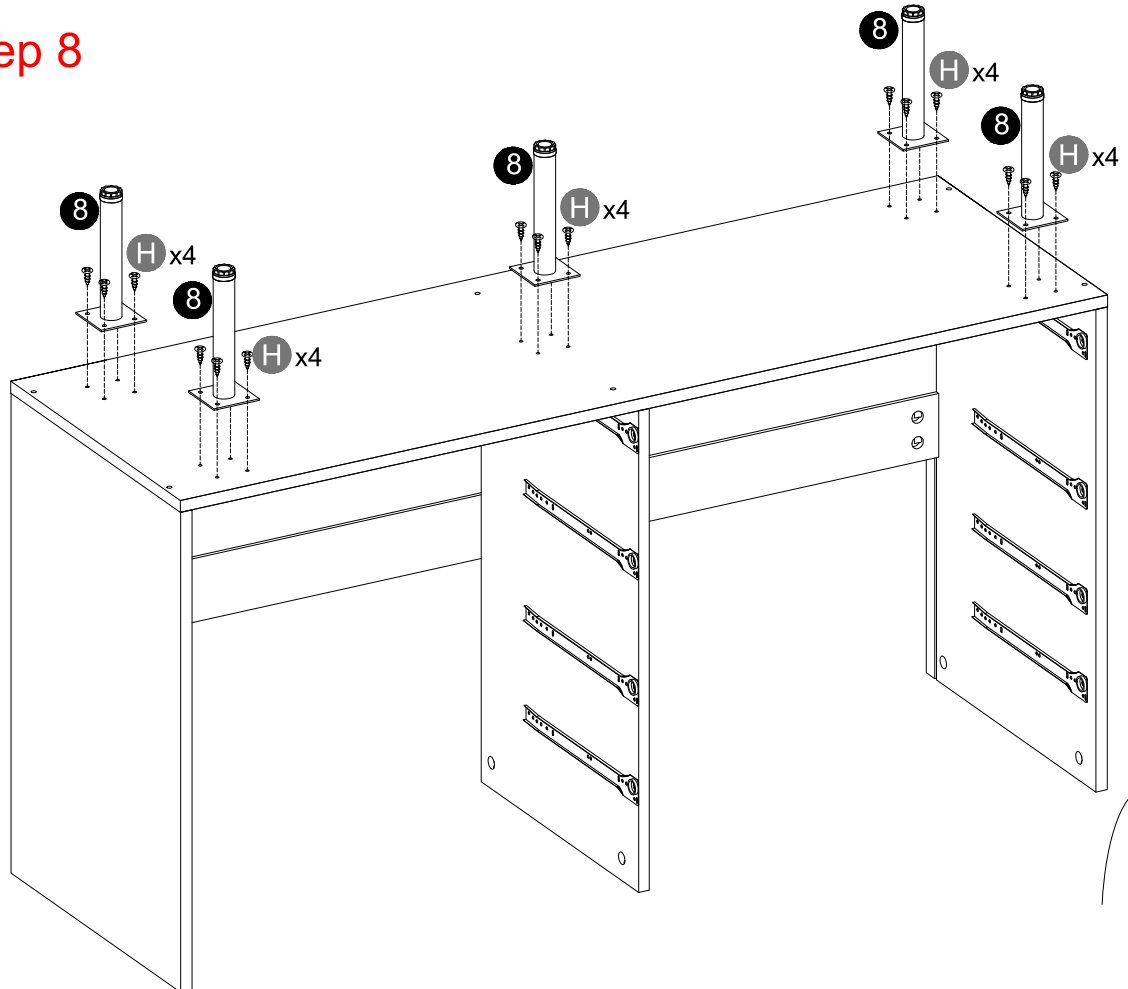
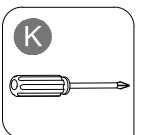
Step 7

D M5x38
6pcs

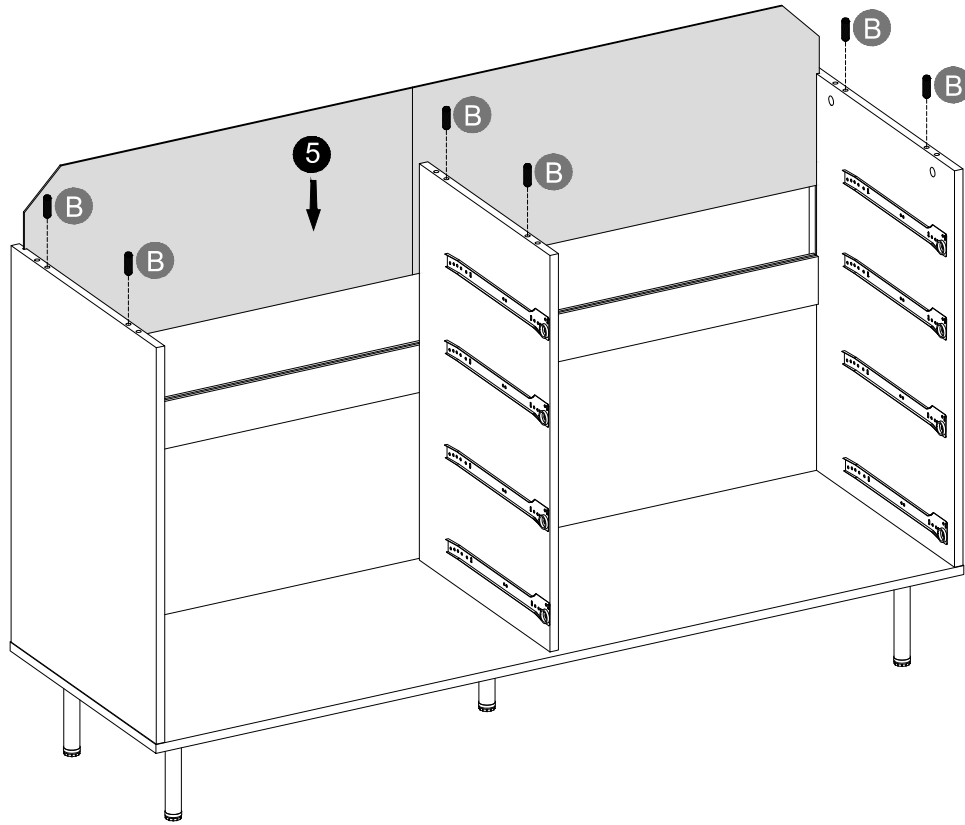


Step 8

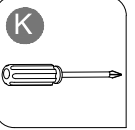
H M4x15
20pcs



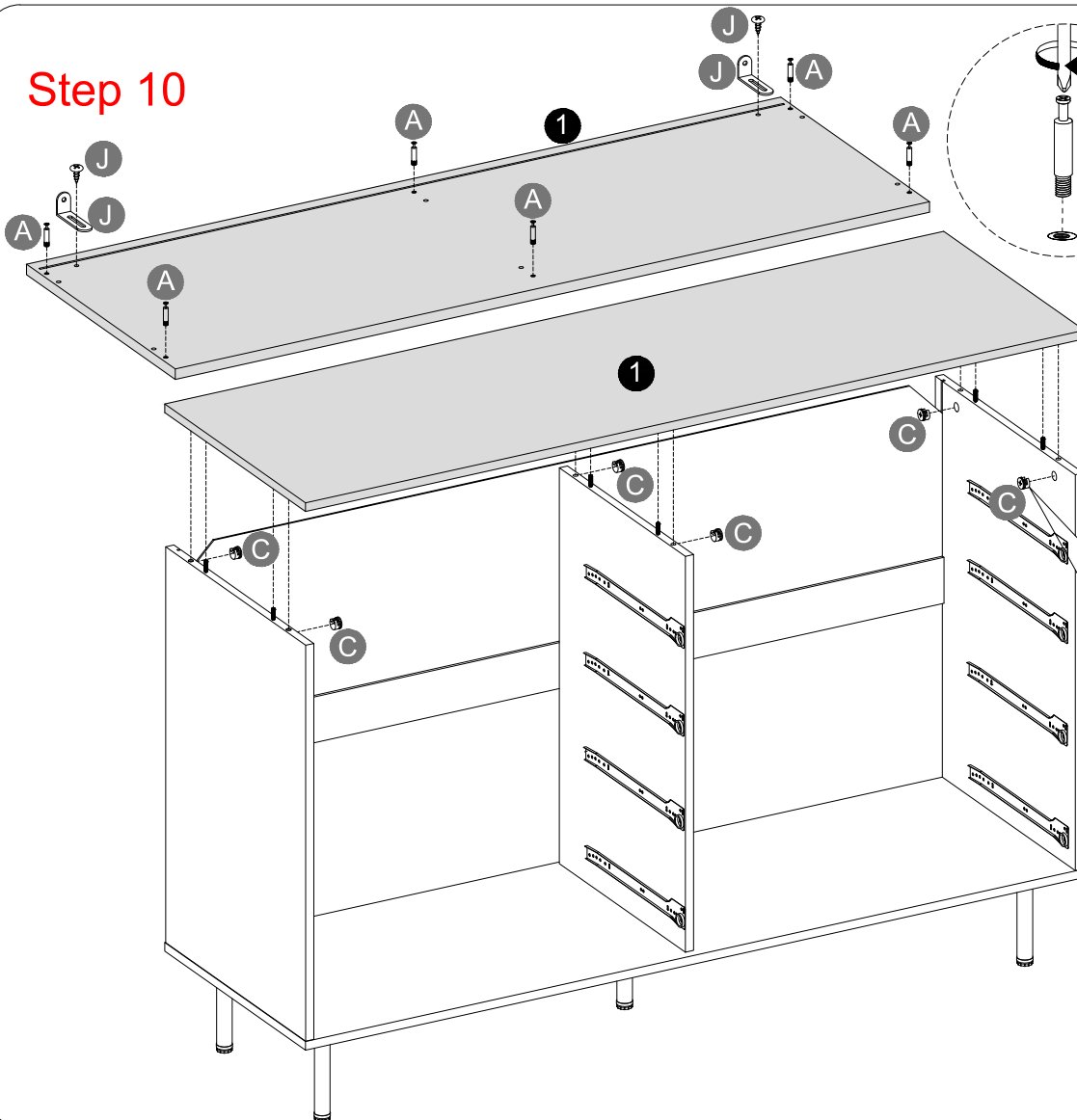
Step 9



B Ø8x30
6pcs



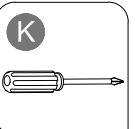
Step 10



A M6x35
6pcs

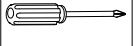
J
2pcs

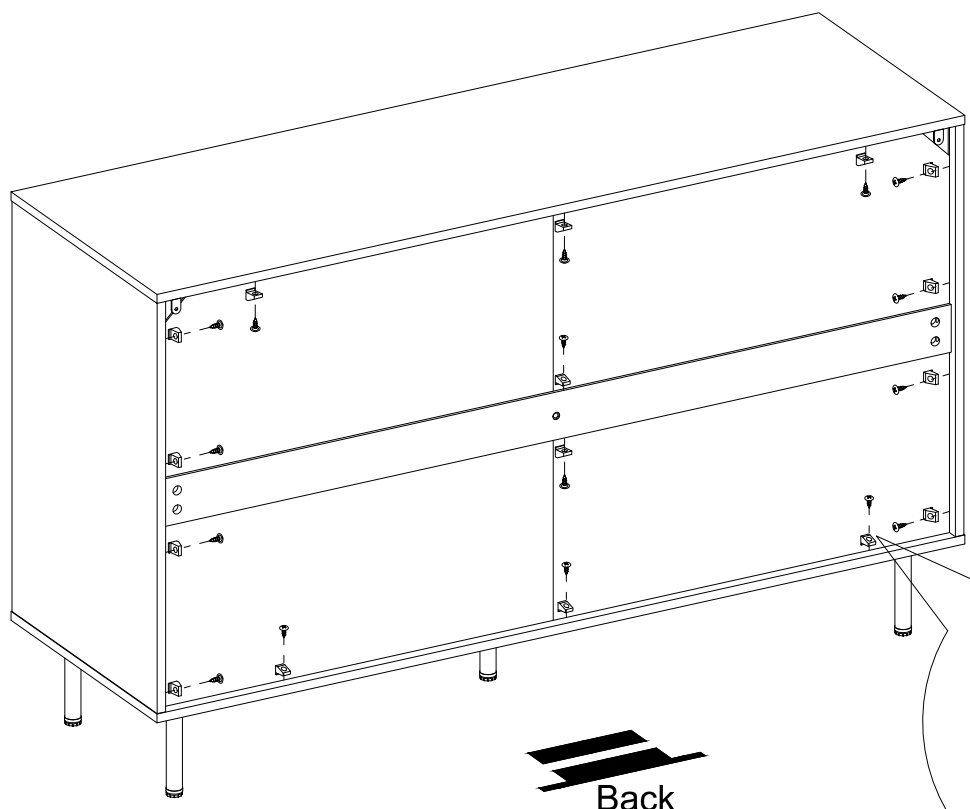
C Ø15x10
6pcs



Step 11

F M3x12
16pcs

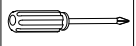
K


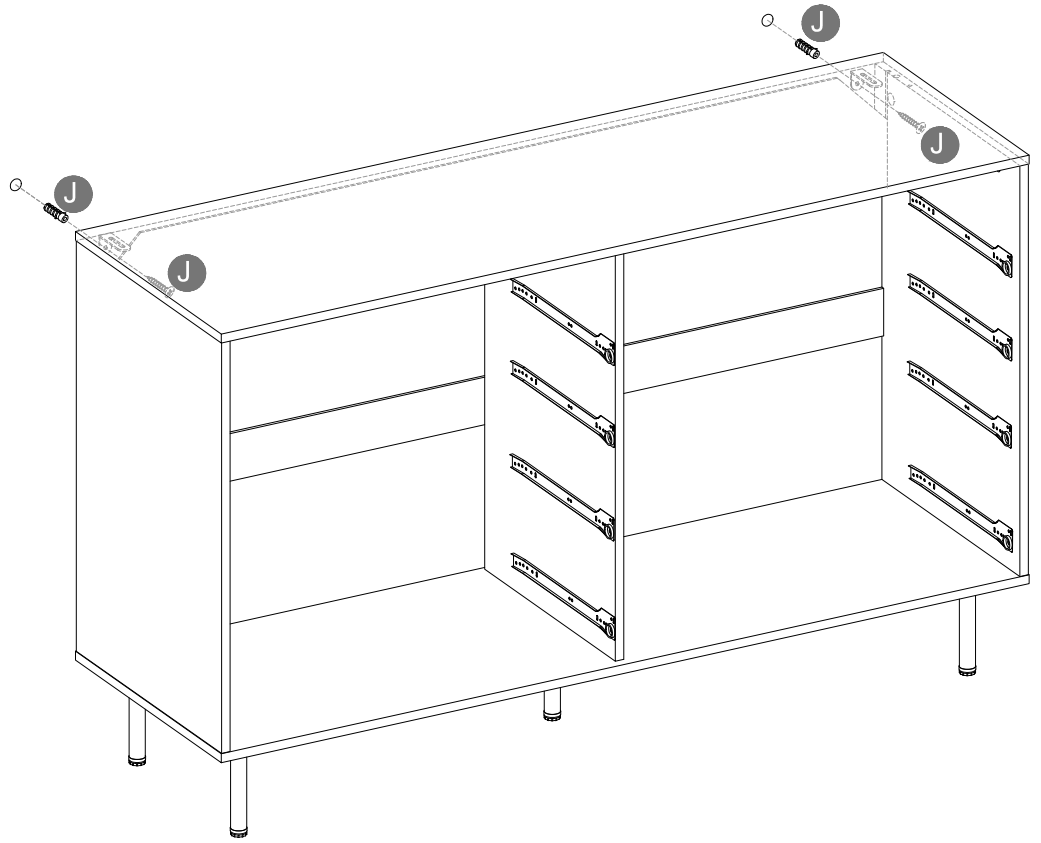
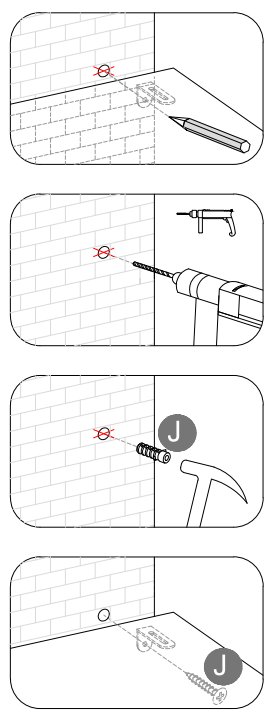


Back

Step 12

J
2pcs

K


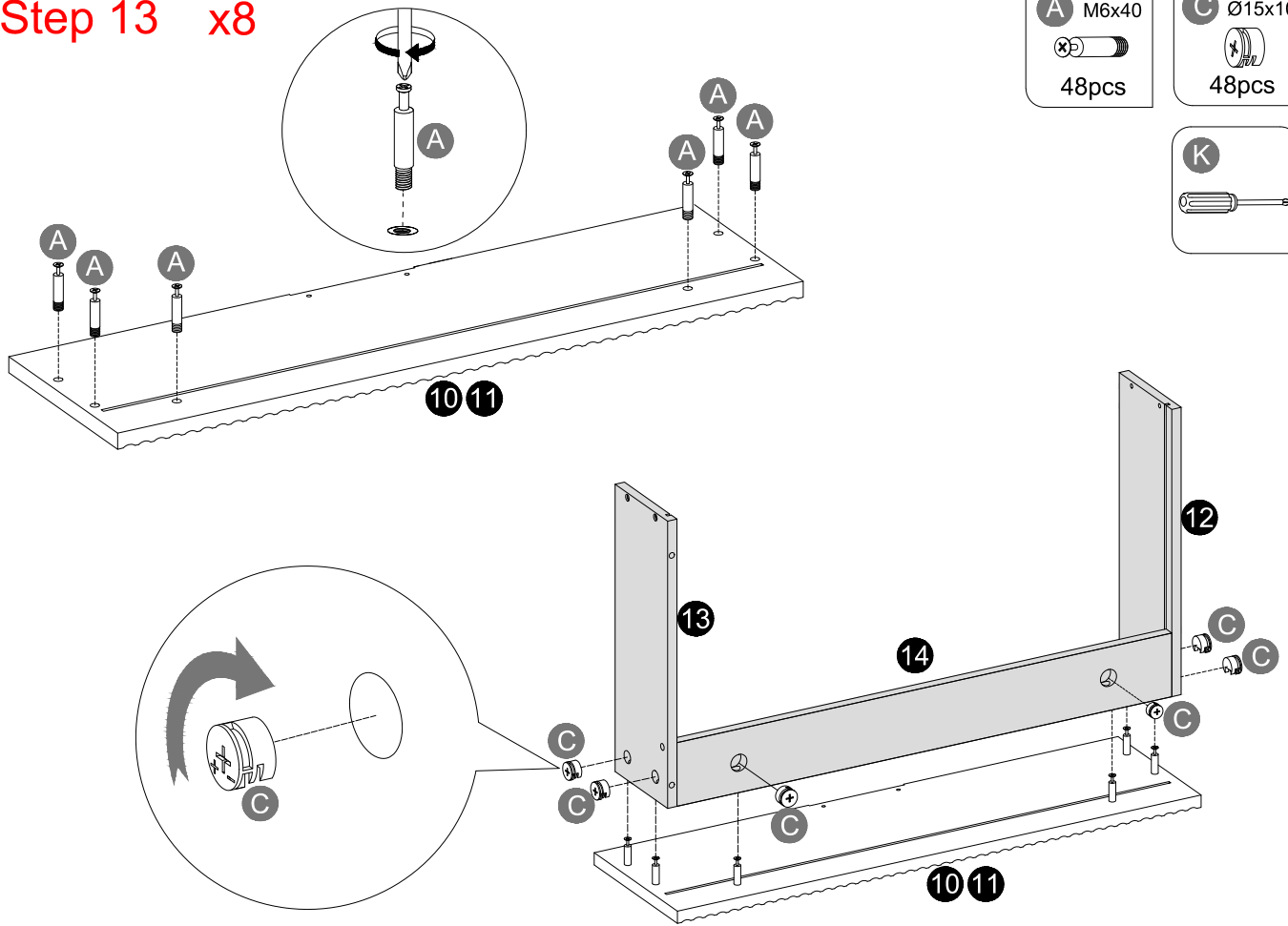


Step 13 x8

A M6x40
48pcs

C Ø15x10
48pcs

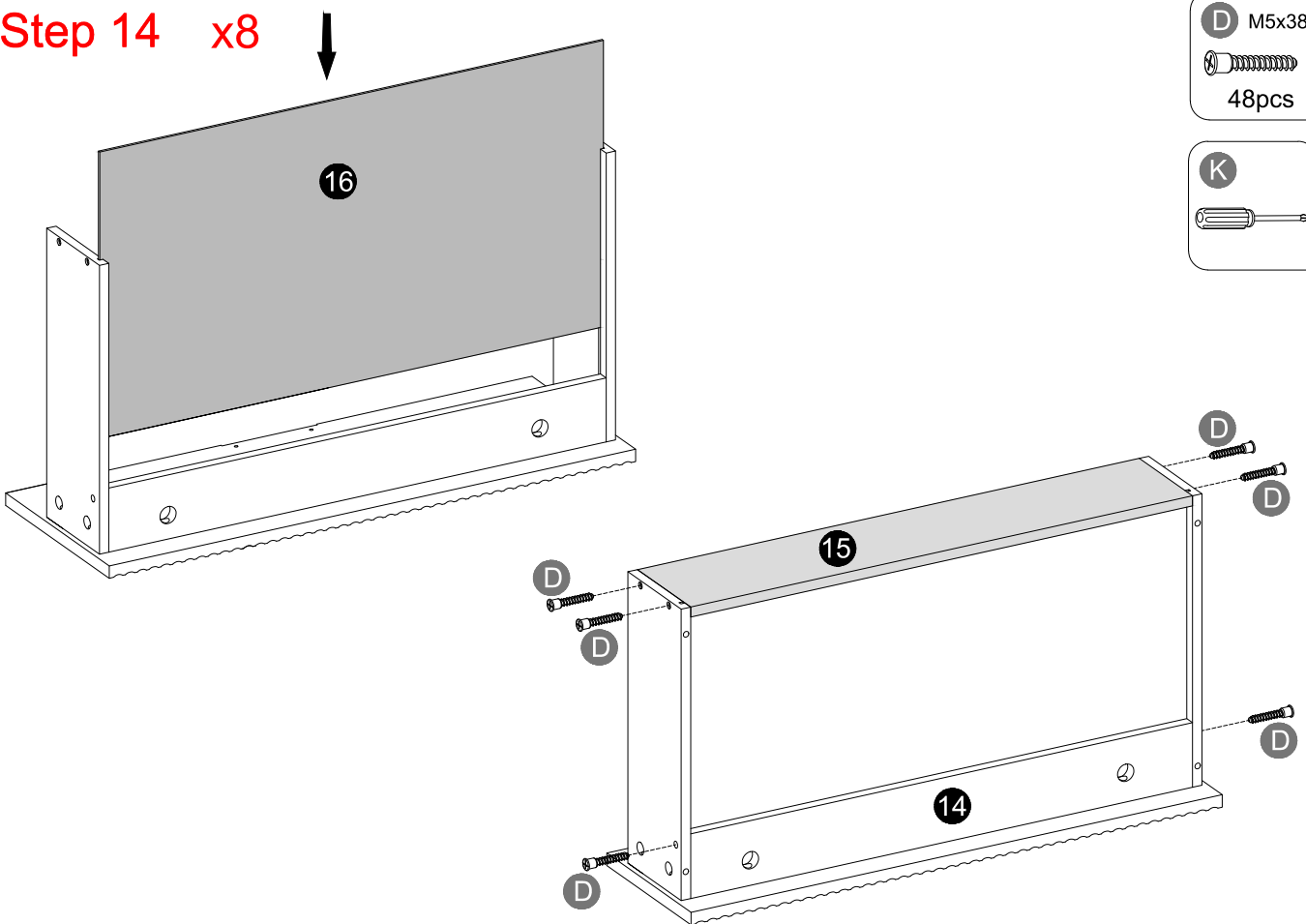
K



Step 14 x8

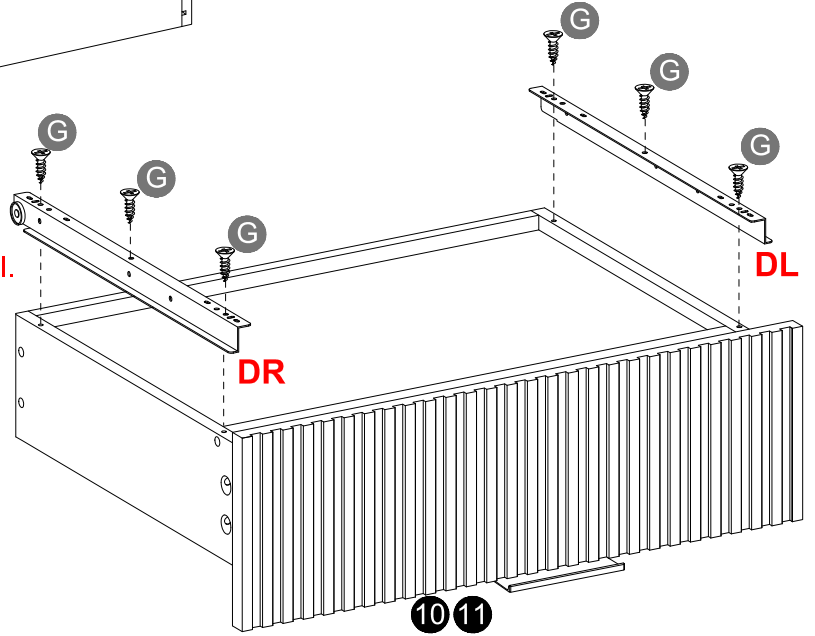
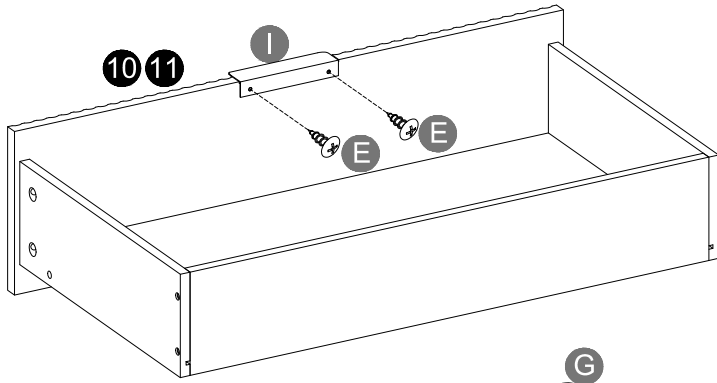
D M5x38
48pcs

K

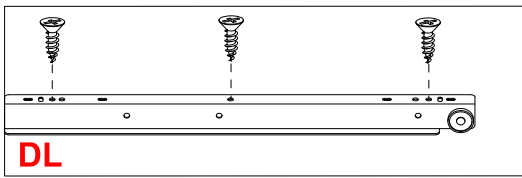
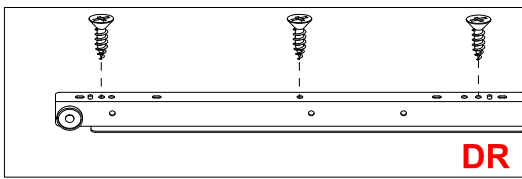


Step 15 x8

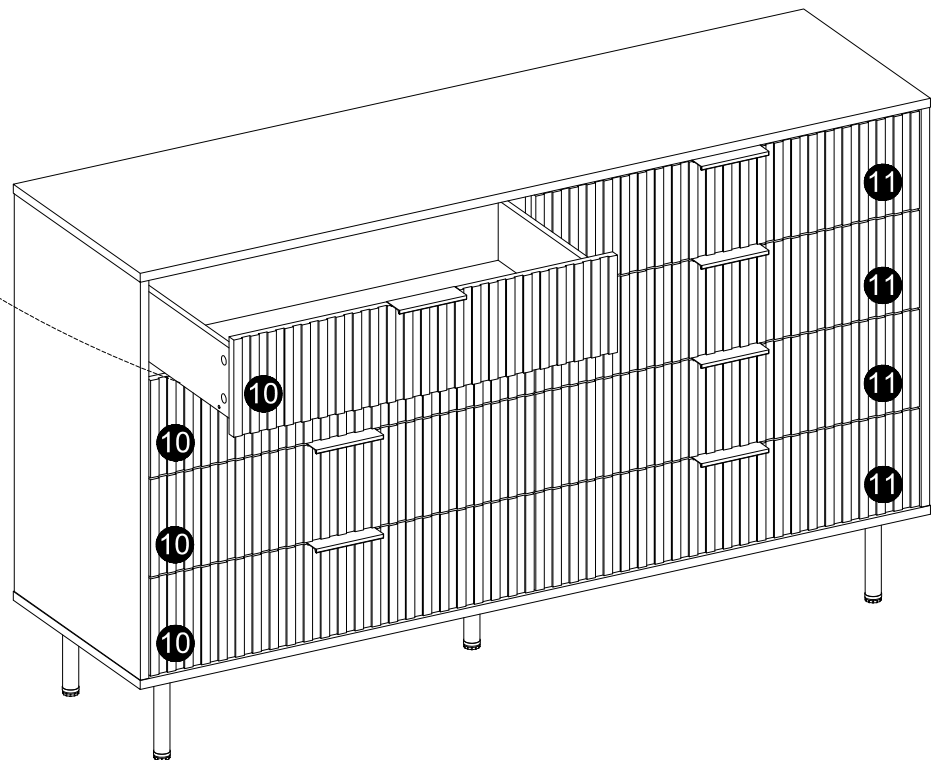
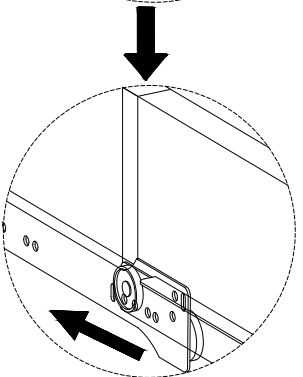
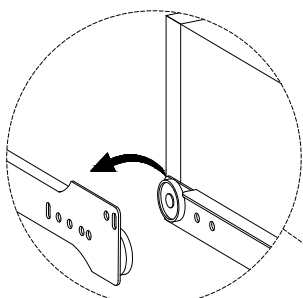
- E** M3x12
16pcs
- I**
8pcs
- G** M3x14
48pcs
- O** DL
DR
8pcs
- K**



DL and DR are stencil printed on the guide rail.



Step 16



IMPORTANT SAFETY INFORMATION

Please carefully read the instructions and caution warnings below before assembling the product. Following this guide will ensure that you install, use and maintain the product properly.

- Please keep this installation and user manual/instructions for future reference in case you need to assemble the product.
- Do not assemble if you notice serious damage such as cracks or bends.
- During installation, please use work gloves for hand safety.
- Please assemble the unit on carpeted floor or the flat cardboard box to avoid scratching the surface or your floor while assembling on the floor.
- To assemble, please use the complimentary installation tools (Allen Wrench). Pay more attention to the direction of components at each steps.
- It is recommended that two people work together to assemble the product.
- Please do not tighten the screws up too much, just to 80% before you finish to make the installation go on successfully.

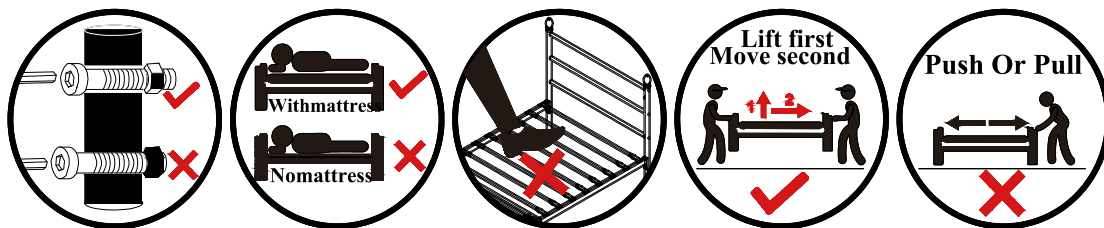
RETURN POLICY

We believe you will absolutely love your new product. But for some reason you want to return your item, please contact us within 30 days after receiving and ensure that the product which you want to return is in a good condition in the original box with all original certificates of purchase, manuals and accessories attached.

HOW TO MAINTAIN YOUR PRODUCT:

- Check the screws of the product are not loose from regular use.
- Do not use sharp instruments, rubbing alcohol, corrosive chemicals, or abrasive cleaners to clean the product.
- Do not keep the product in a damp environment for a long period of time. The damp environment may cause the iron components to rust and the plates to bulge and crack.

CAUTIONS!



How to find us?

CustomerService

Email: service2003@yeah.net