

NOTICE

- * Please make sure that you have all parts indicated and they are in good condition before you begin assembly of this item. Refer to part list and hardware list below for guidance.
- * This item should be assembled on a soft surface to prevent scratching the finish during assembly.
- * This item may require periodic tightening.
- * If you are having difficulty, our friendly Customer Care team is always here to help.


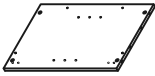



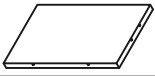
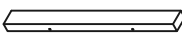

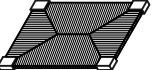
PREPARATION

- * Before beginning assembly of product, make sure all parts are present. Compare parts with part contents list and hardware contents list.
- * If any part is missing or damaged, do not attempt to assemble the product.
- * Estimated Assembly Time: 60 minutes.
- * Tools Required for Assembly : Allen Key (included), Phillips screwdriver (not included).

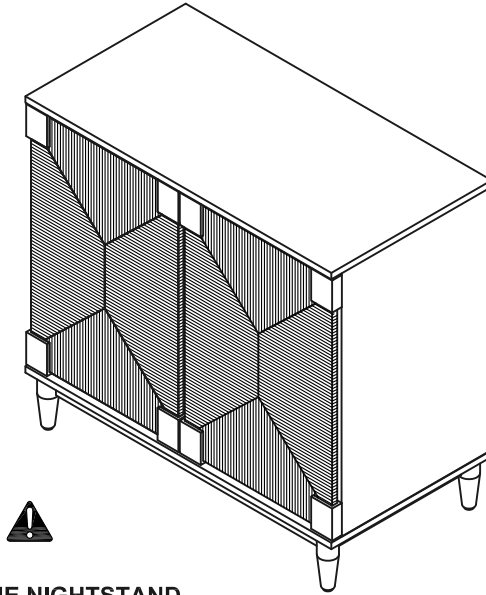
CARE AND MAINTENANCE

Adhesive felt pads should always be applied to areas of furniture which make direct contact with flooring, said application will prevent damage to the furniture and or surfaces on which the furniture lies. Objects placed on articles of furniture should rest on non abrasive material as to prevent damage to the wood finish. Wipe up spills immediately and avoid common hazards such as hot dishes, harsh solvents and abrasives. Cleaning should be done with a soft lint free cotton cloth dampened with water or furniture polish.

Part List and Hardware List



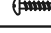
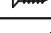





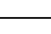

PIECE	DESCRIPTION	PICTURE	QUANTITY
A	TOP PANEL		1X
B	SIDE PANEL		2X
C	SHELF		1X
D	RAIL TOP		1X
E	BOTTOM ASSEMBLY		1X
F	BACK PANEL		2X
G	SUPPORT BACK PANEL		1X
H	LEG		4X
I	DOOR		2X

Product Dimensions: 34 9/16"W x 18 3/32"D x 32"H



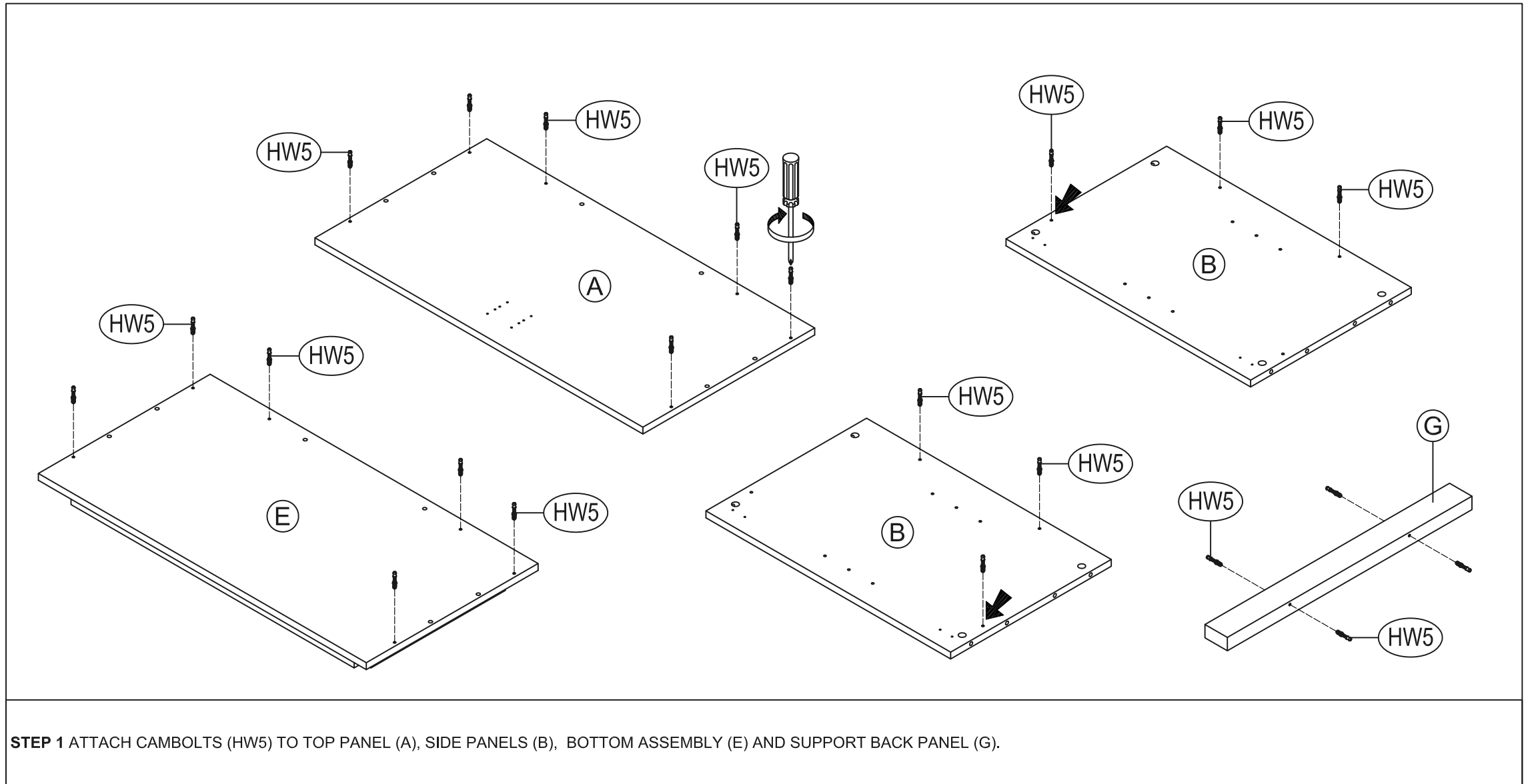
WARNING

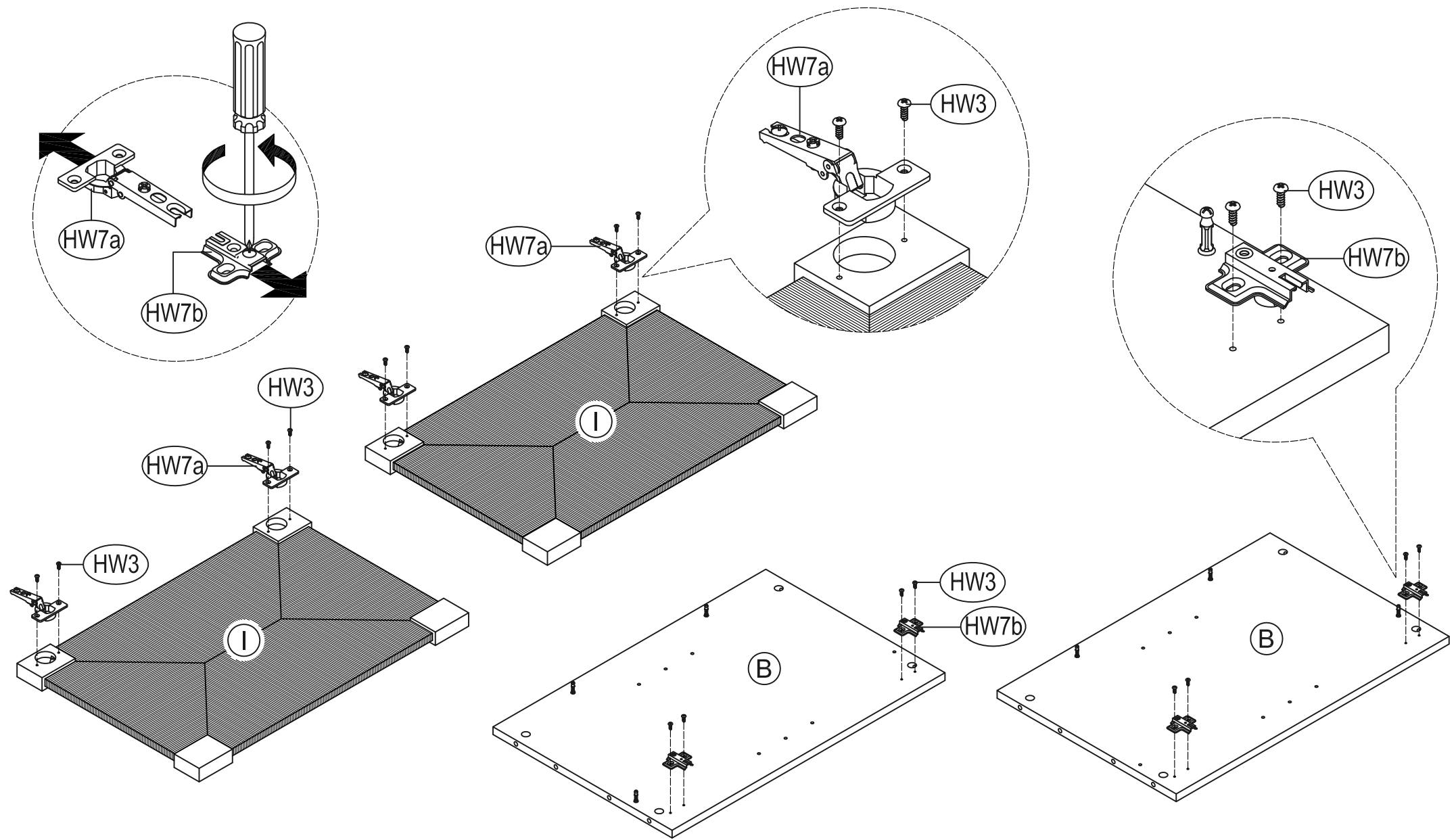
WEIGHT CAPACITY: 55 LBS
WARNING: DO NOT STAND ON THE NIGHTSTAND
WARNING: DO NOT OVER TORQUE BOLTS/SCREWS

PIECE	DESCRIPTION	PICTURE	QUANTITY
HW1	BOLT 6 x 1 x 30 MM		8X
HW2	SPRING WASHER		8X
HW3	ROUND HEAD SCREW 3 x 1 x 13 MM		16X
HW4	FLAT HEAD SCREW 3 x 1 x 13 MM		8X
HW5	CAMBOLT		22X
HW6	CAMLOCK		22X
HW7	HINGE		4X
HW8	PUSH LATCH		2X
HW9	SHELF SUPPORT PIN		4X
HW10	DOWEL		12X
HW11	ALLEN KEY		1X

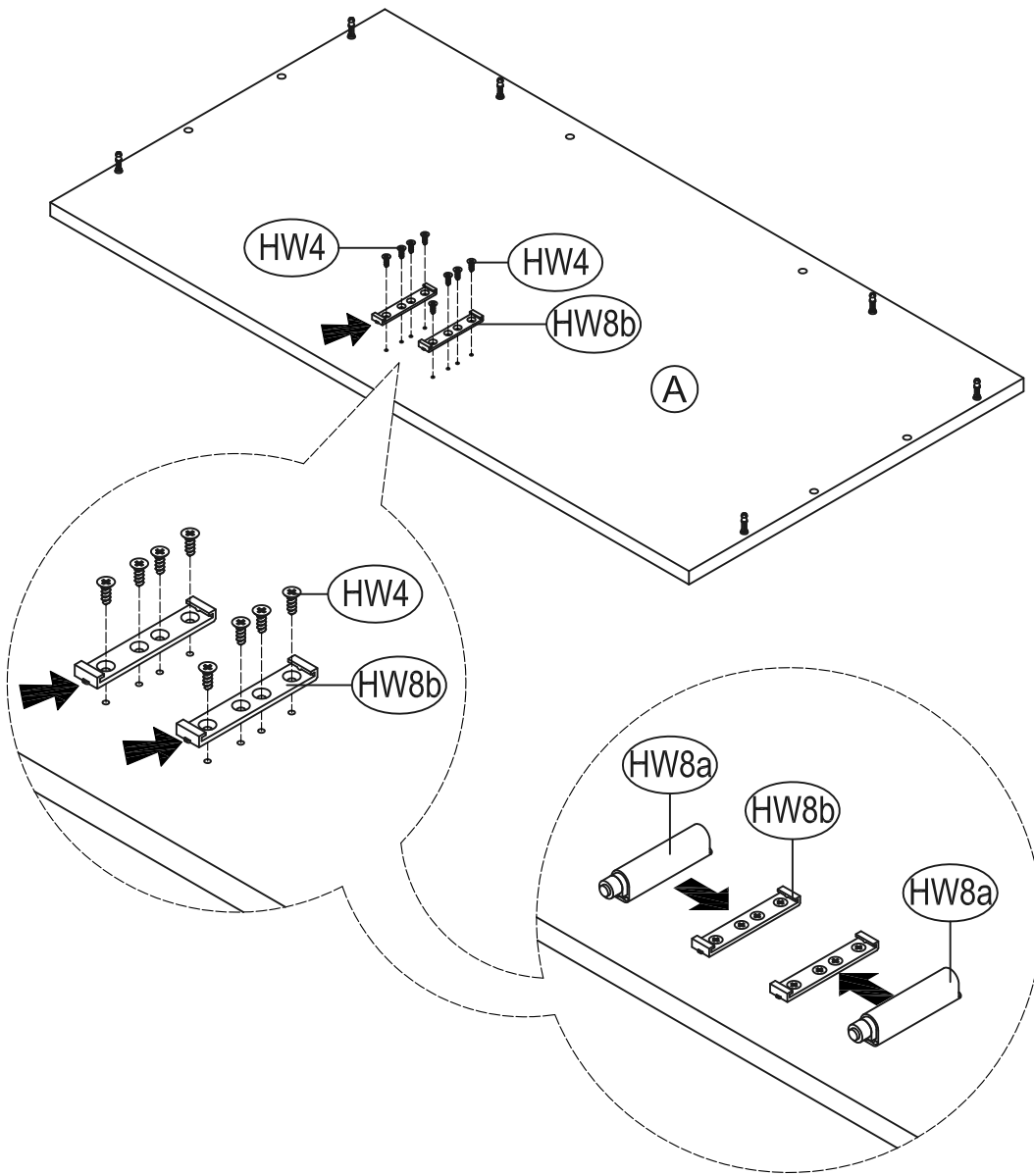
PREPARATION

- * Before beginning assembly of product, make sure all parts are present. Compare parts with part contents list and hardware contents list.
- * If any part is missing or damaged, do not attempt to assemble the product.
- * Estimated Assembly Time: 60 minutes.
- * Tools Required for Assembly: Allen Key (included), Phillips screwdriver (not included).
- * If you are having difficulty, our friendly Customer Care team is always here to help.

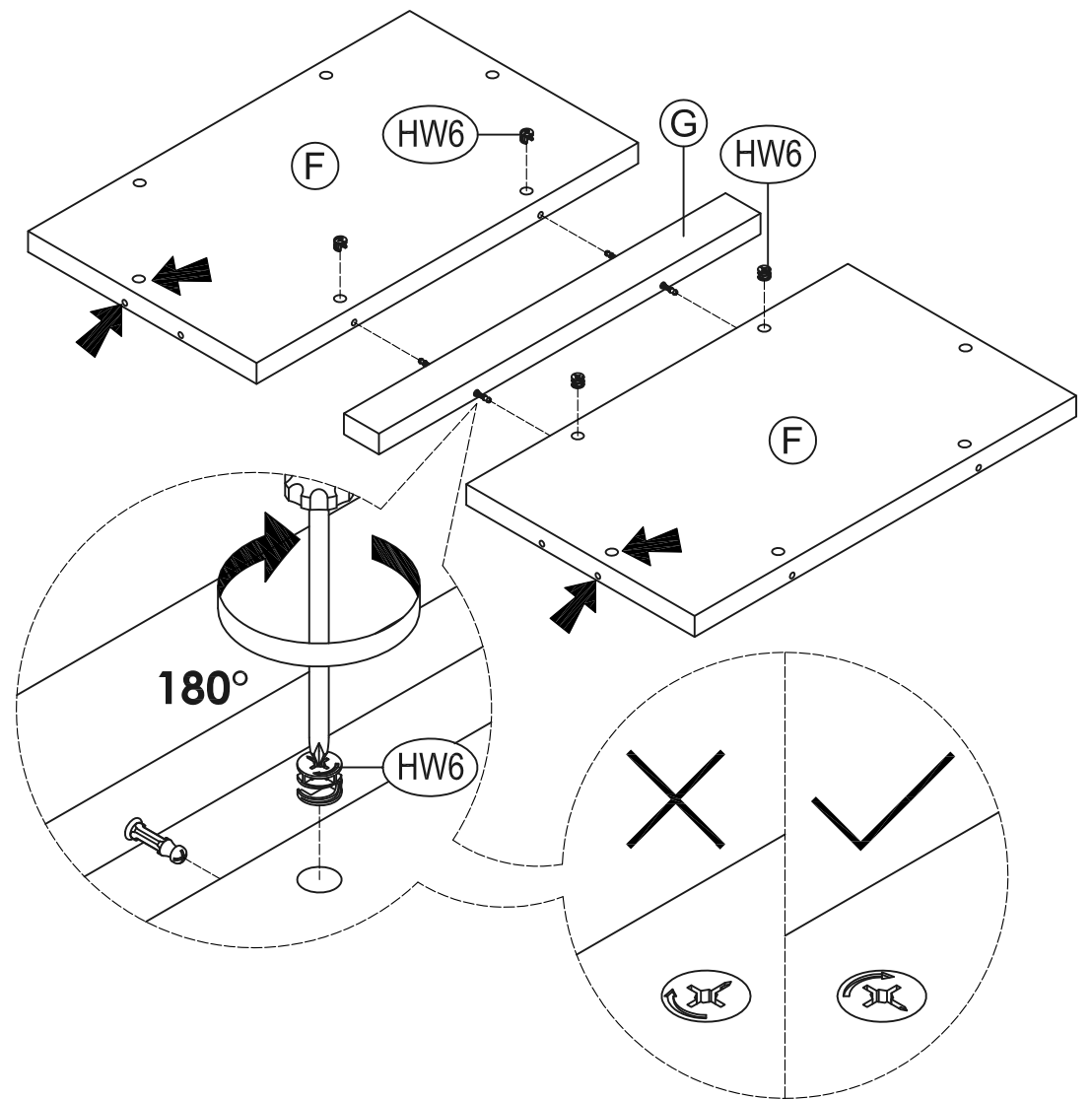




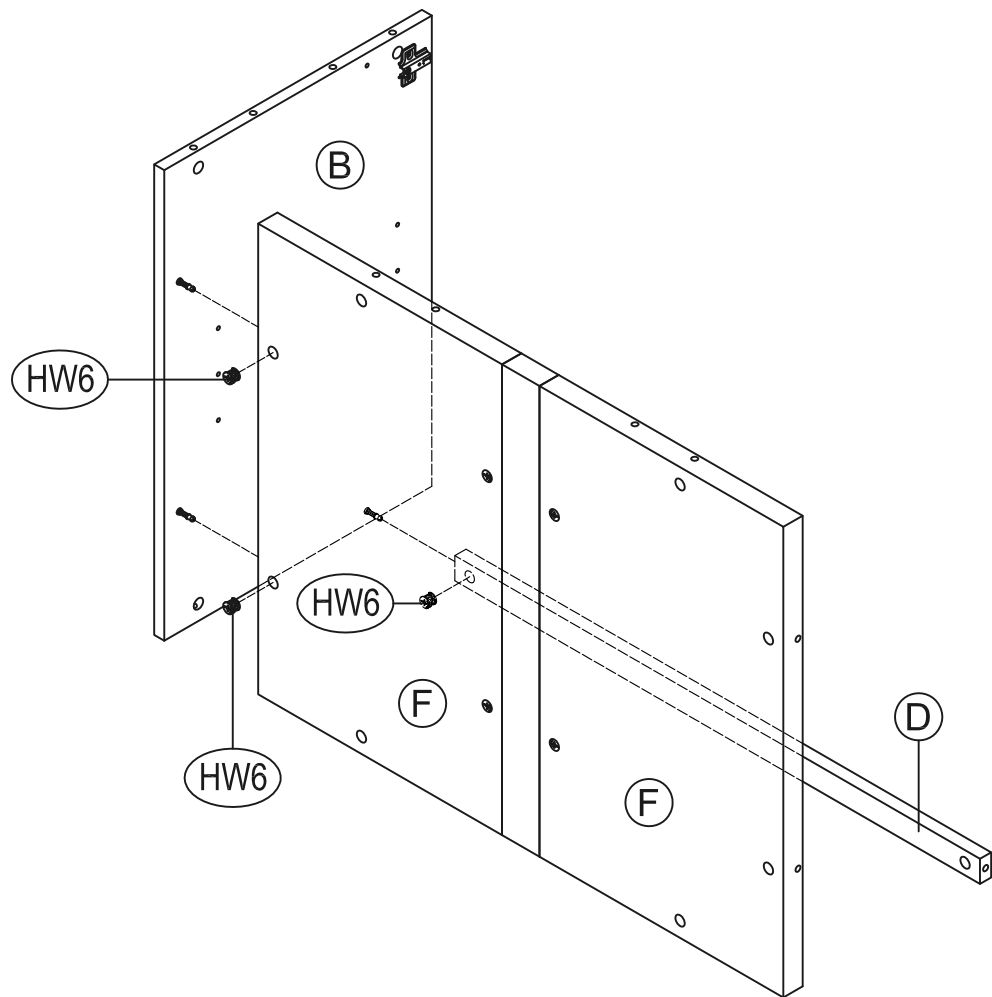
STEP 2 DETACH THE HINGE FROM THE BASE. ATTACH HINGE BASES (HW7b) TO SIDE PANELS (B) USING ROUND HEAD SCREWS 13MM (HW3). ATTACH HINGES (HW7a) TO DOORS (I) USING ROUND HEAD SCREWS 13MM (HW3).



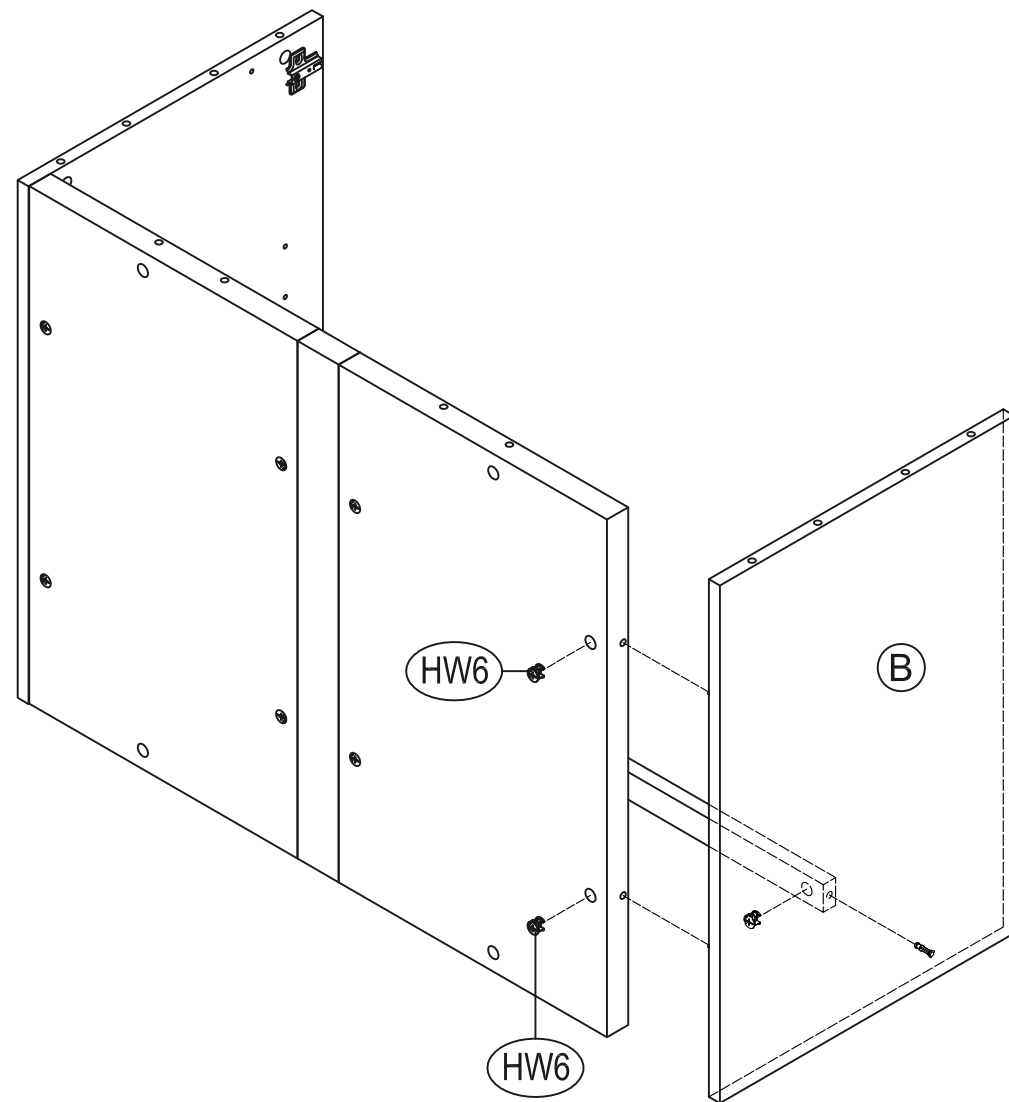
STEP 3 ATTACH PUSH LATCHES (HW8b) TO TOP PANEL (A) USING FLAT HEAD SCREWS 13MM (HW4). ATTACH PUSH LATCHES (HW8a) TO PUSH LATCHES (HW8b).



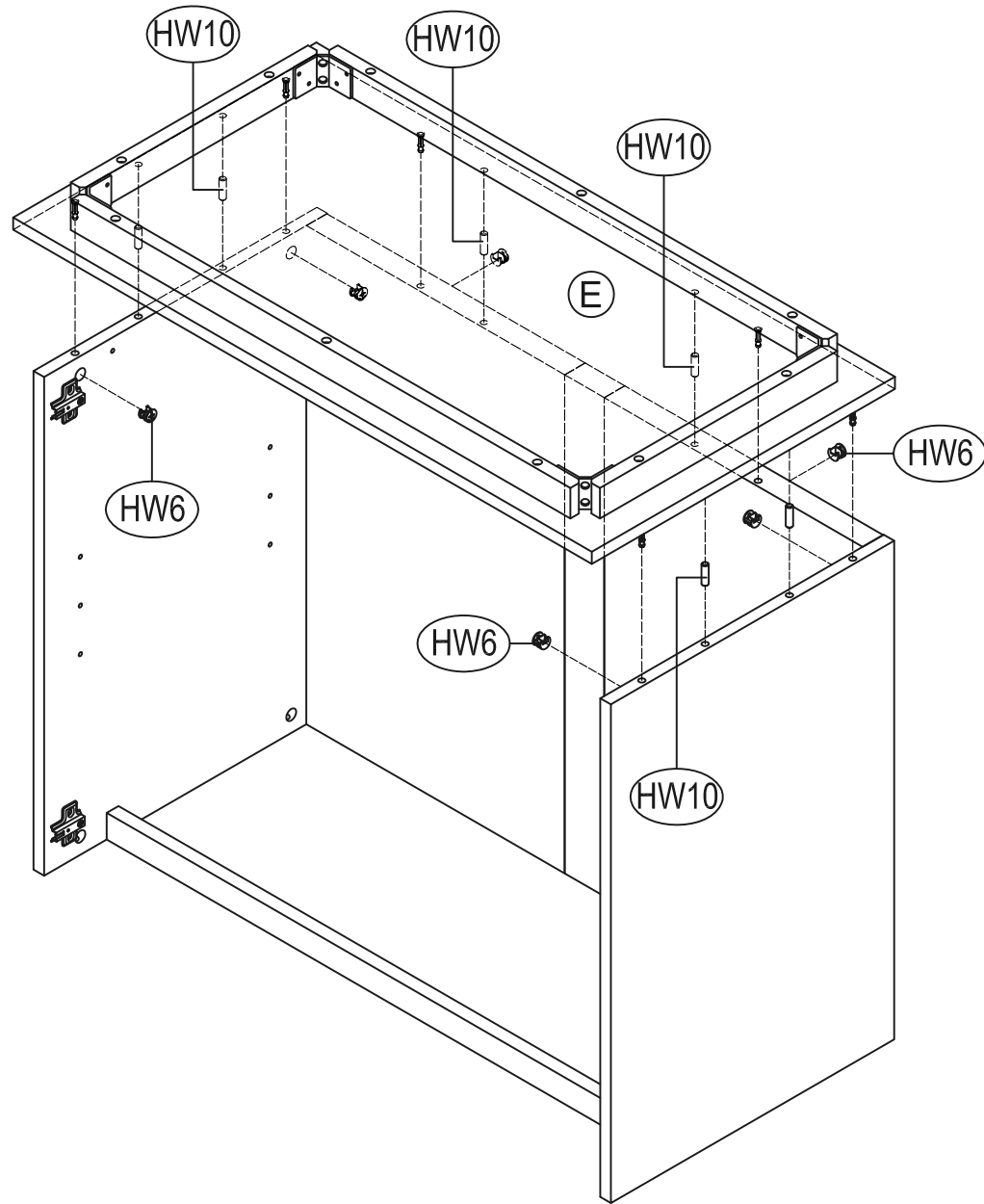
STEP 4 ATTACH BACK PANELS (F) TO SUPPORT BACK PANEL (G) USING CAMLOCKS (HW6).



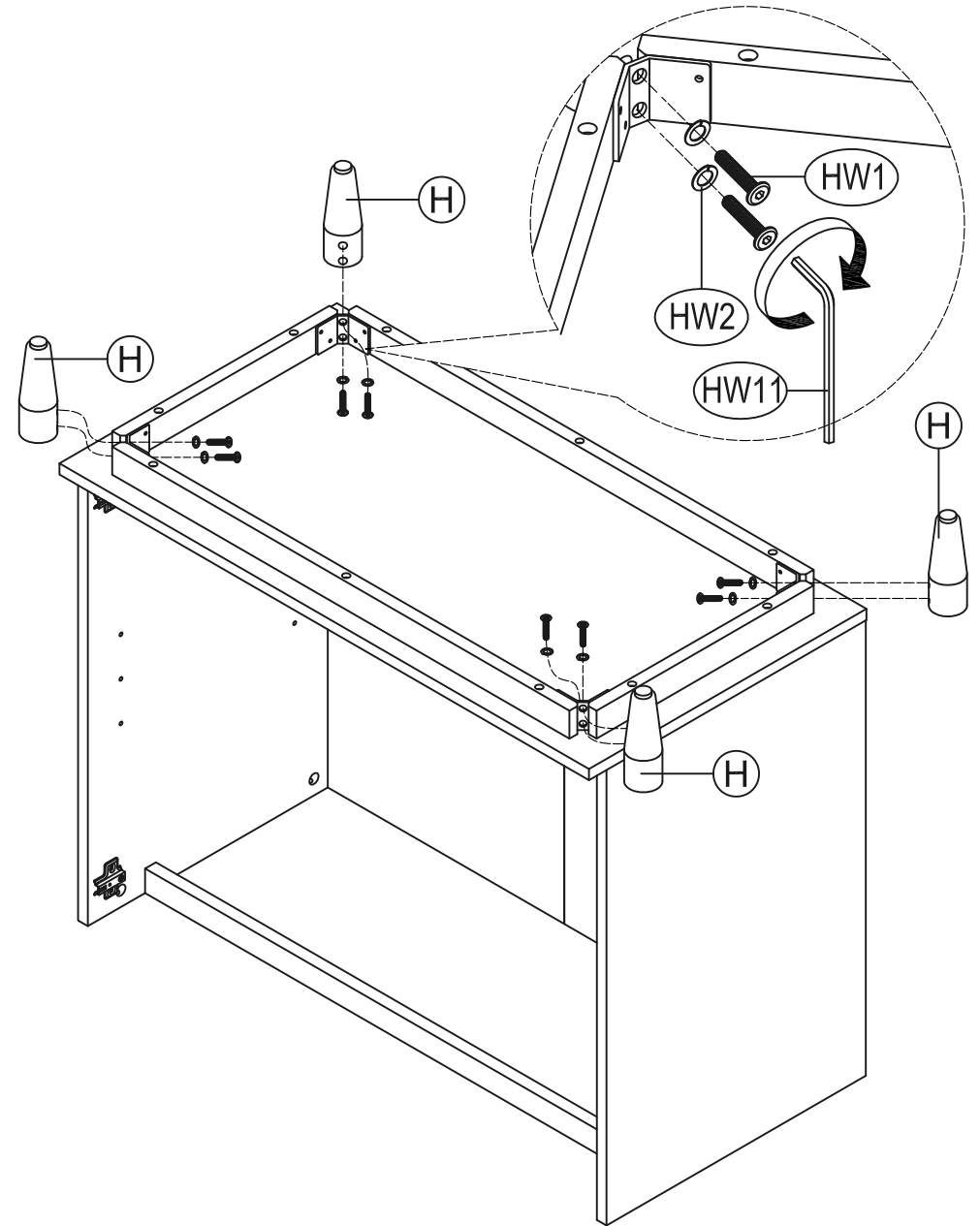
STEP 5 ATTACH BACK PANEL ASSEMBLY (F) AND TOP RAIL (D) TO SIDE PANEL (B) USING CAMLOCKS (HW6).



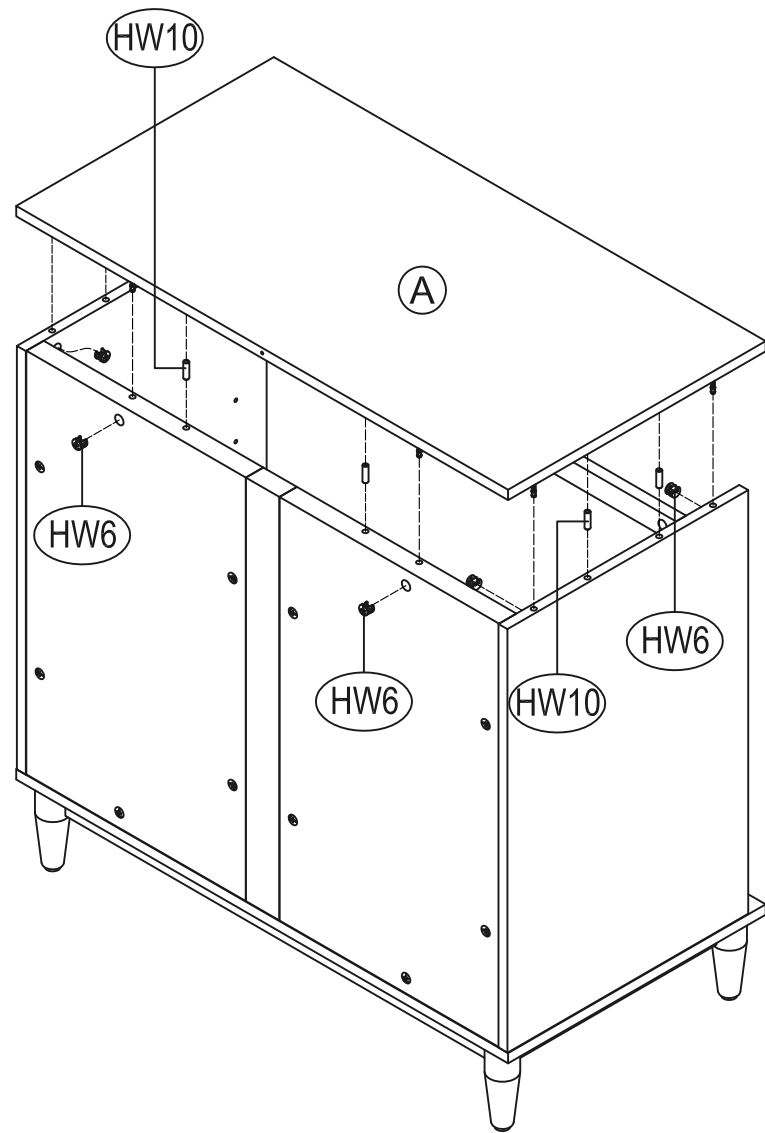
STEP 6 ATTACH SIDE PANEL (B) TO UNIT USING CAMLOCKS (HW6).



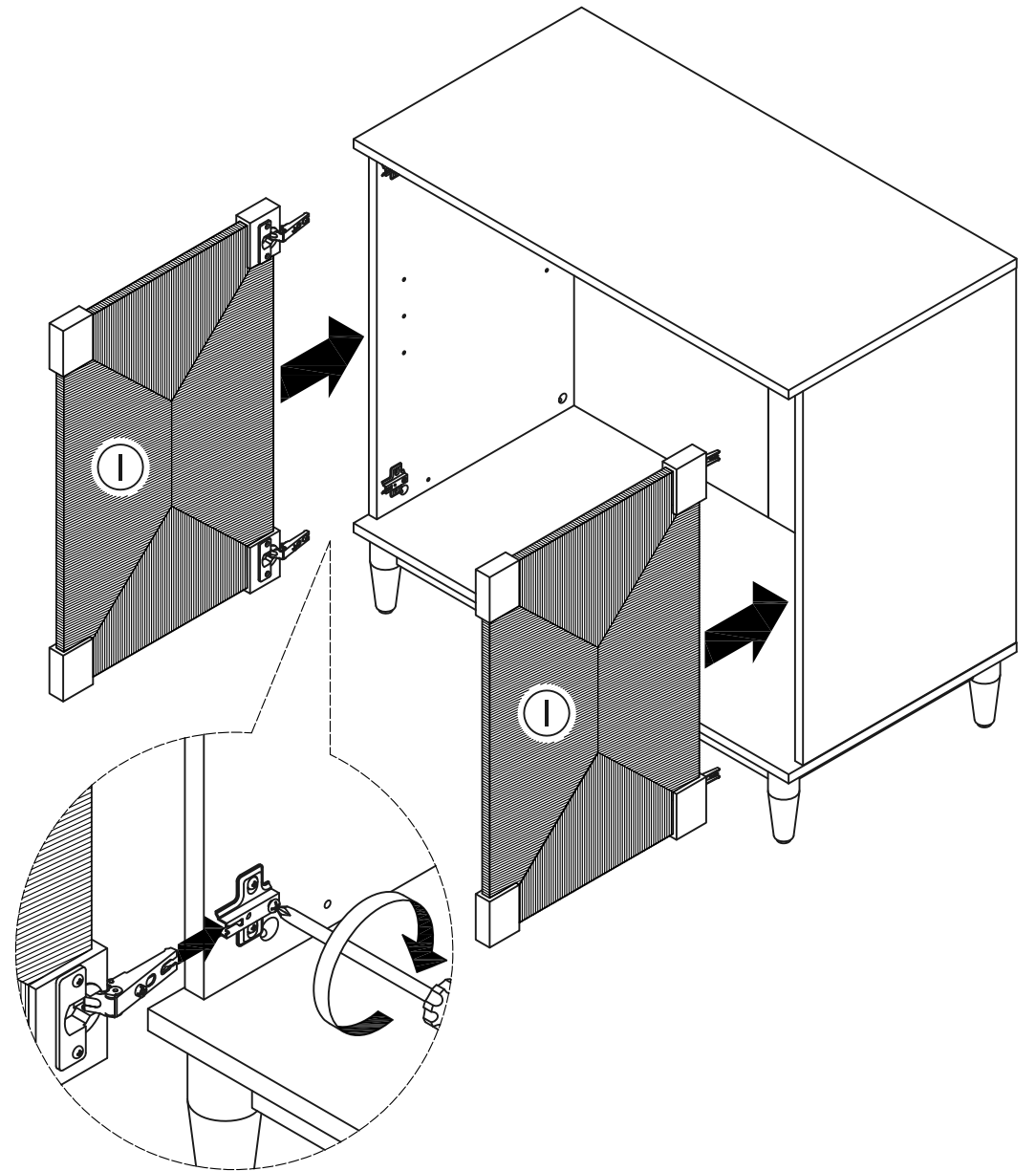
STEP 7 ATTACH BOTTOM ASSEMBLY (E) TO UNIT USING CAMLOCKS (HW6) AND DOWELS (HW10).



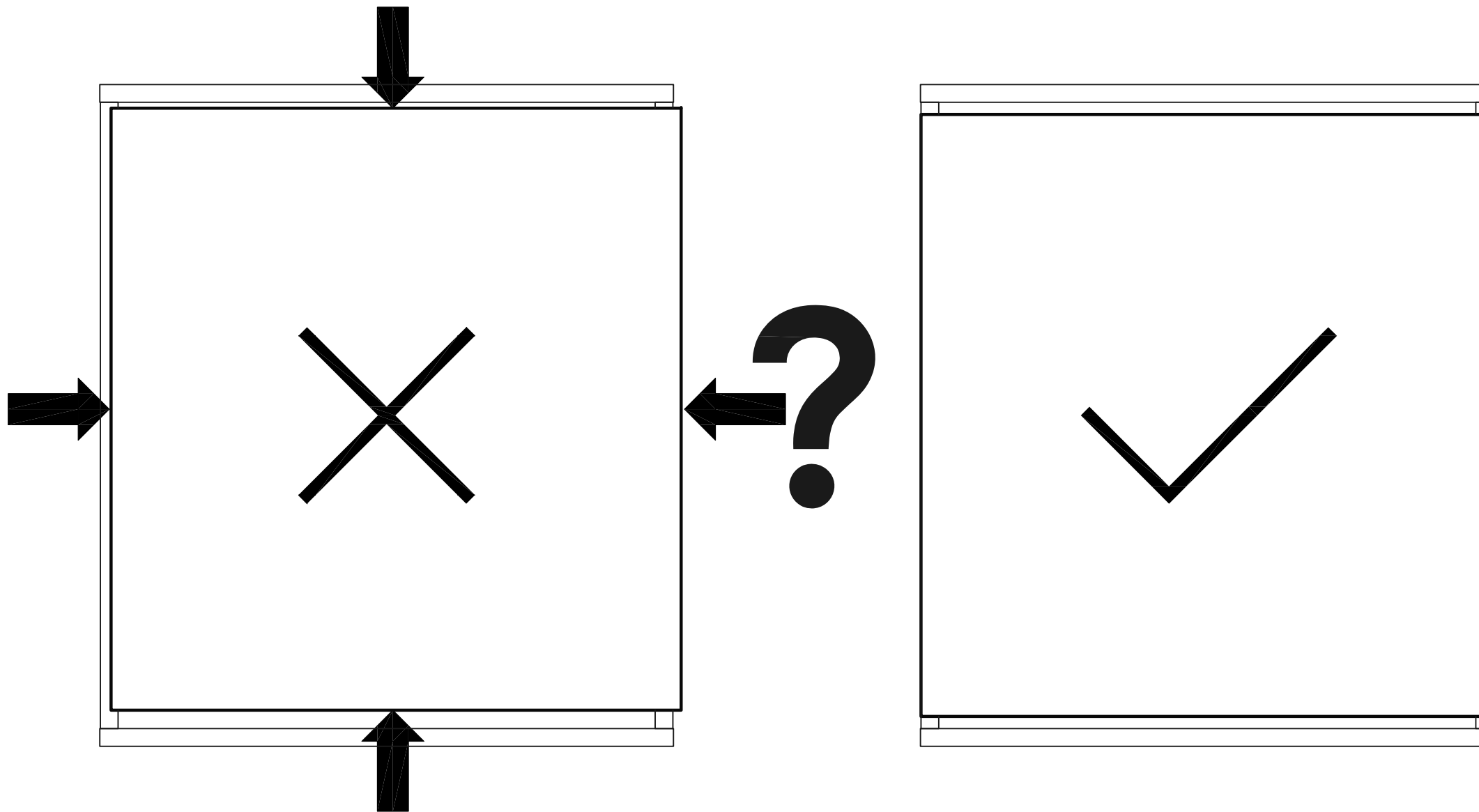
STEP 8 ATTACH LEGS (H) TO UNIT USING BOLTS 30MM (HW1) AND SPRING WASHERS (HW2). TIGHTEN THE BOLTS USING ALLEN KEY (HW11).



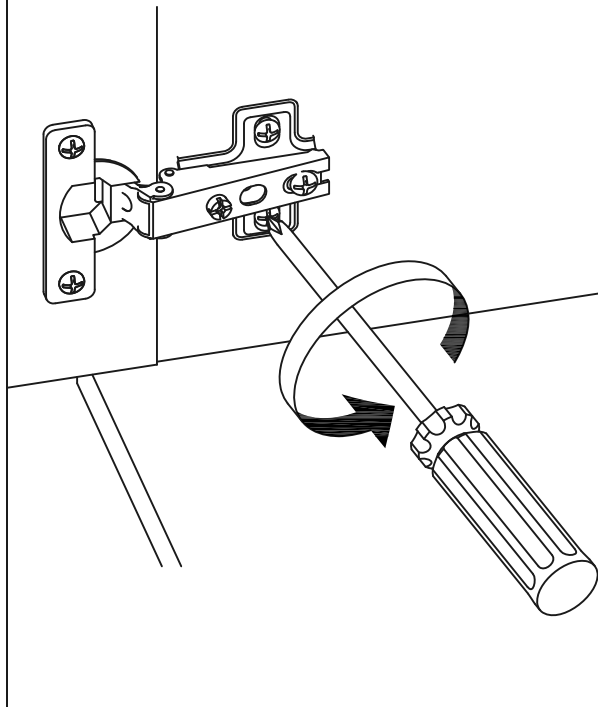
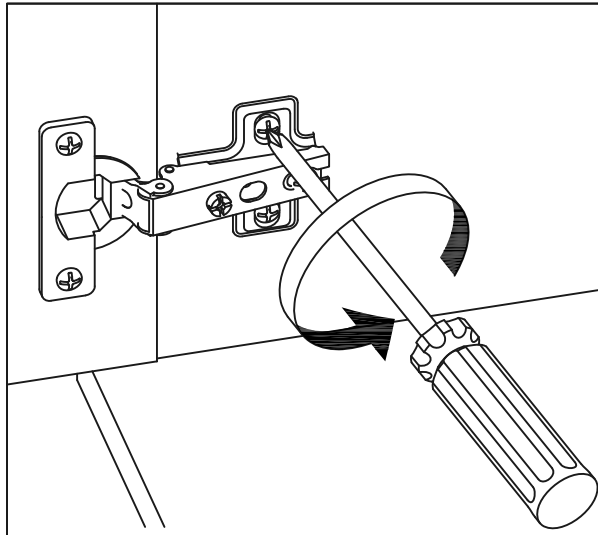
STEP 9 ATTACH TOP PANEL (A) TO UNIT USING CAMLOCKS (HW6) AND DOWELS (HW10).



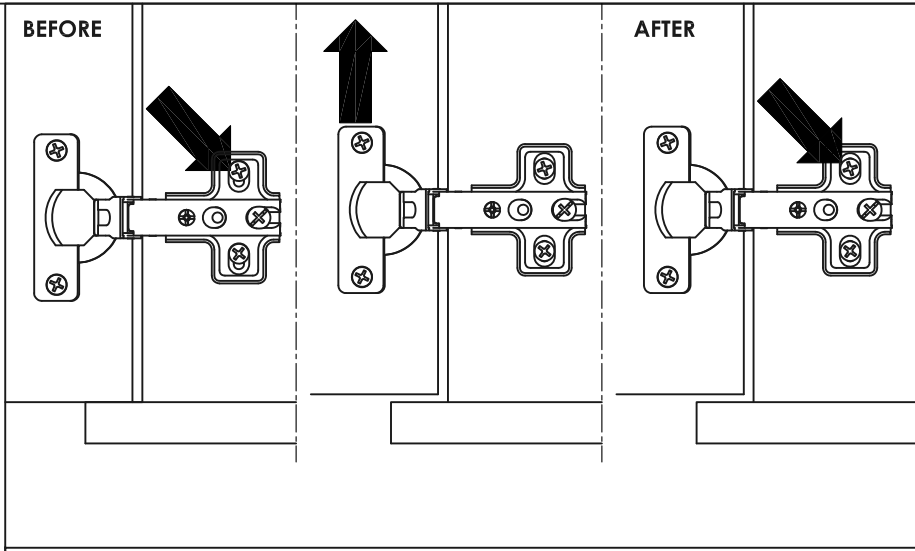
STEP 10 ATTACH DOORS (I) TO UNIT.



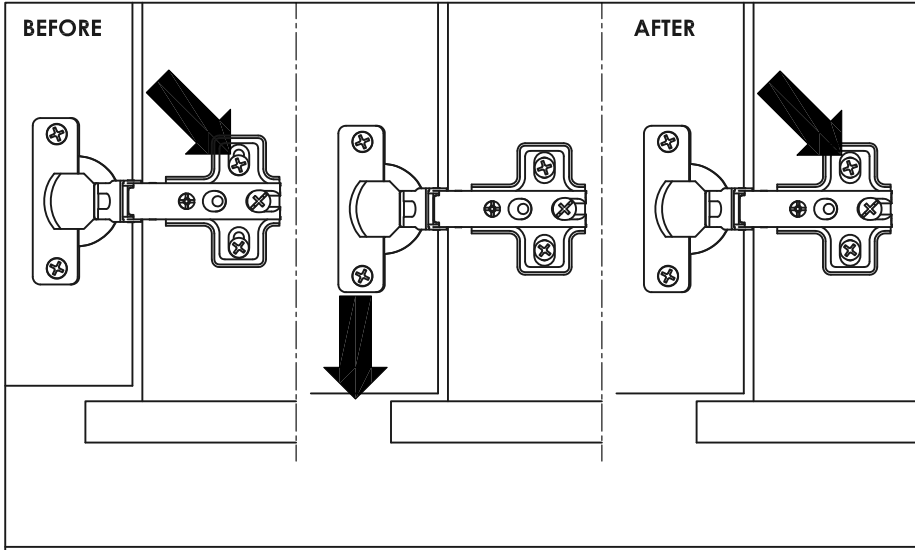
STEP 11 THE GAPS AND EDGES AROUND THE DOOR SHOULD BE BALANCED. IF THE GAPS ARE NOT BALANCED, PLEASE FOLLOW STEPS 12 THROUGH 14.



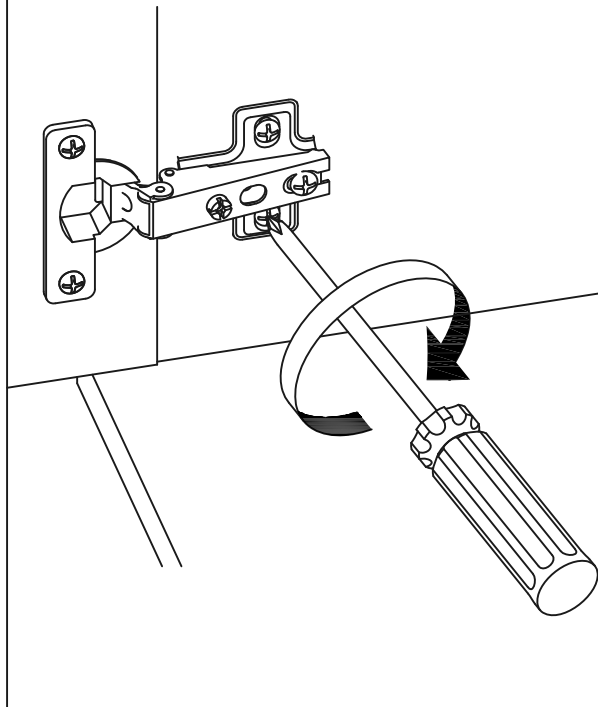
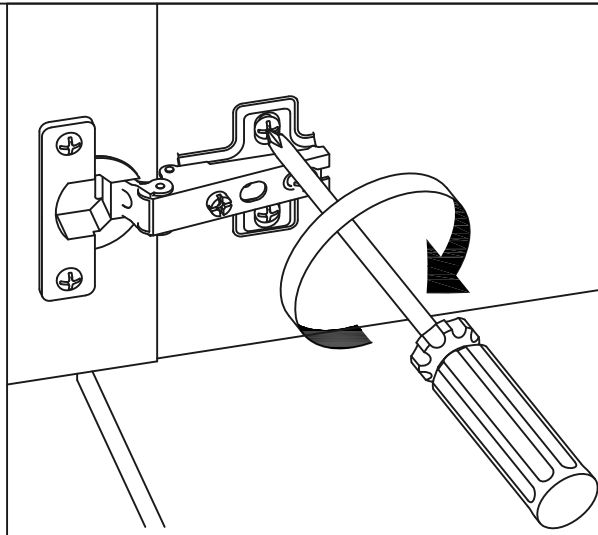
STEP 12.1. IF THE GAP ON THE TOP OR BOTTOM ARE NOT BALANCED, LOOSEN BOTH HINGE BASE SCREWS.



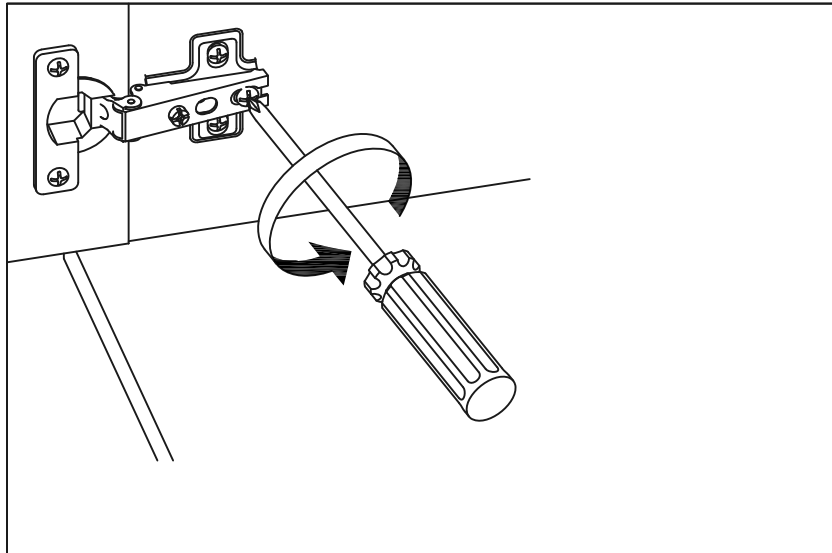
STEP 12.1.1. IF THE GAP ON THE TOP IS TOO WIDE THEN SLIDE THE DOOR SLIGHTLY TO THE TOP.



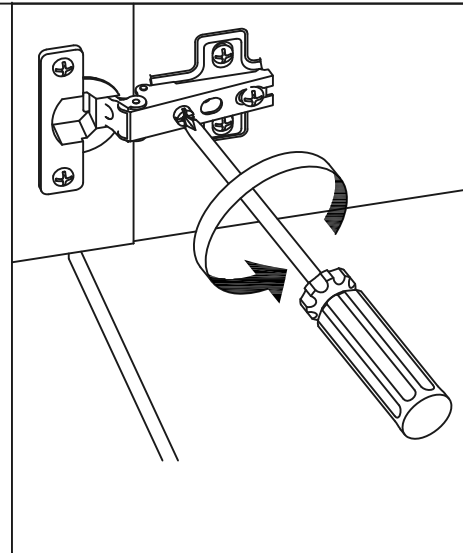
STEP 12.1.2. IF THE GAP ON THE BOTTOM IS TOO WIDE THEN SLIDE THE DOOR SLIGHTLY TO THE BOTTOM.



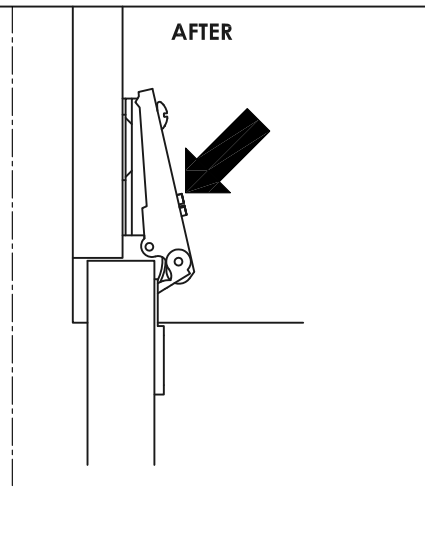
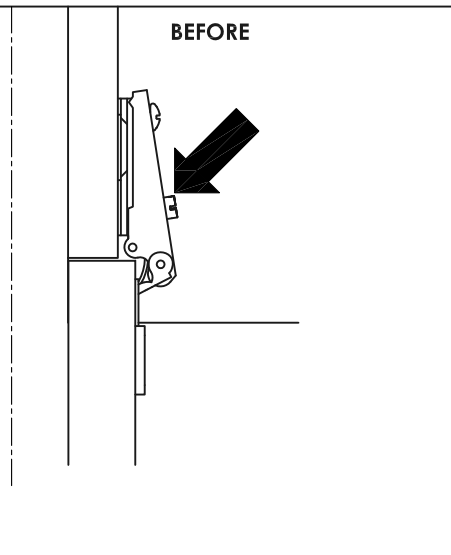
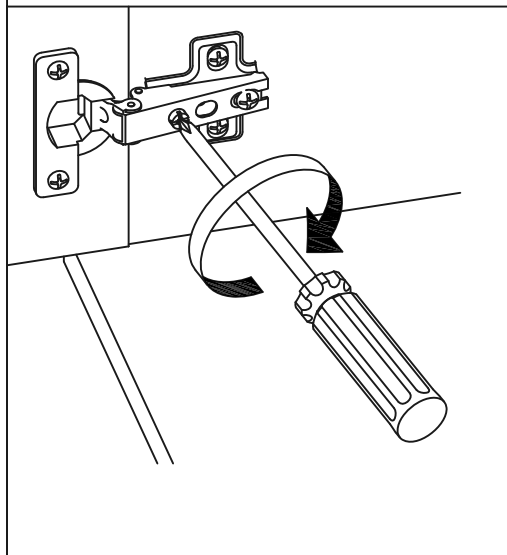
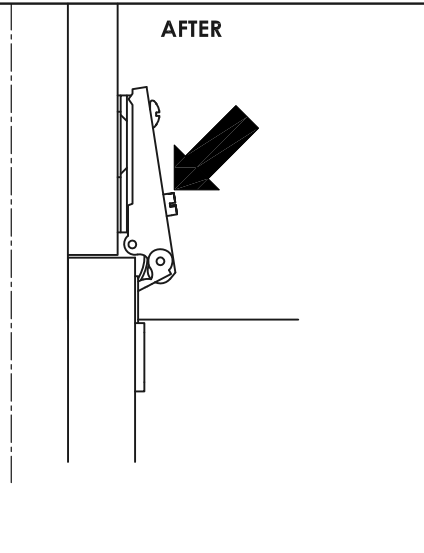
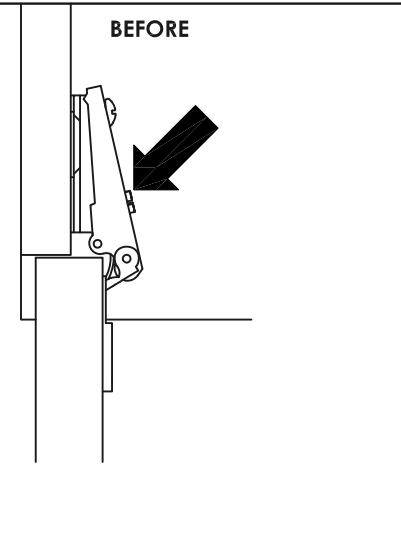
STEP 12.2. TIGHTEN BOTH HINGE BASE SCREWS.



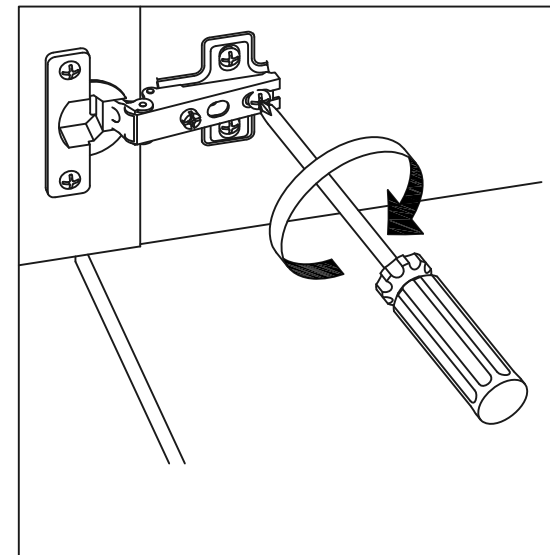
STEP 13.1. IF THE EDGE ON THE LEFT OR RIGHT ARE NOT BALANCE, LOOSEN THE BACK CENTER SCREW.



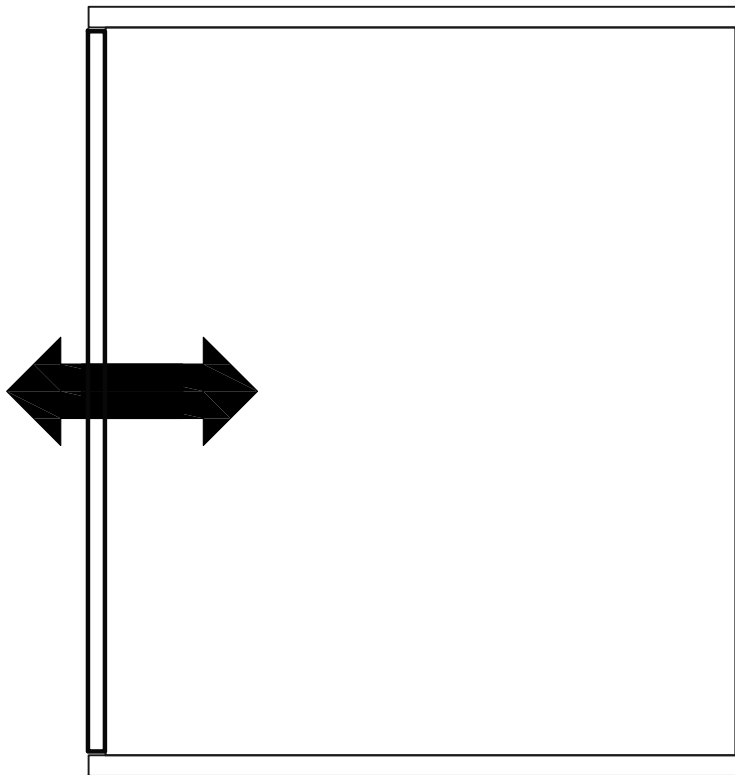
STEP 13.1.1. IF THE EDGE ON THE LEFT SIDE IS TOO WIDE, YOU WILL NEED TO SLIDE THE DOOR SLIGHTLY TO THE LEFT BY TURNING THE FRONT CENTER SCREW COUNTER CLOCKWISE.



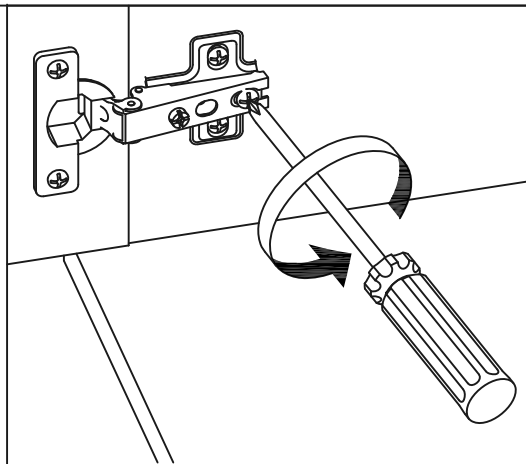
STEP 13.1.2. IF THE EDGE ON THE LEFT SIDE IS TOO NARROW, YOU WILL NEED TO SLIDE THE DOOR SLIGHTLY TO THE RIGHT BY TURNING THE FRONT CENTER SCREW CLOCKWISE.



STEP 13.2. TIGHTEN THE BACK CENTER SCREW.

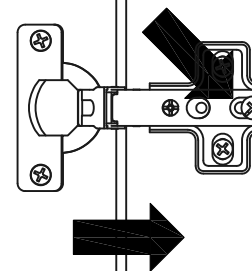


STEP 14.1. IF YOU NEED TO SLIDE THE DOOR FORWARD OR BACKWARD, PLEASE FOLLOW THIS STEP.

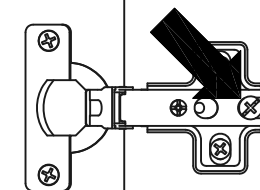


STEP 14.2. LOOSEN THE BACK CENTER SCREW.

BEFORE

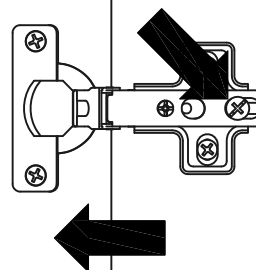


AFTER

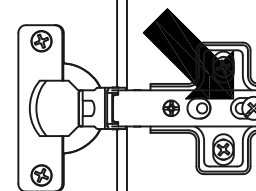


STEP 14.2.1. IF YOU NEED TO SLIDE THE DOOR BACKWARD, PUSH THE DOOR SLIGHTLY.

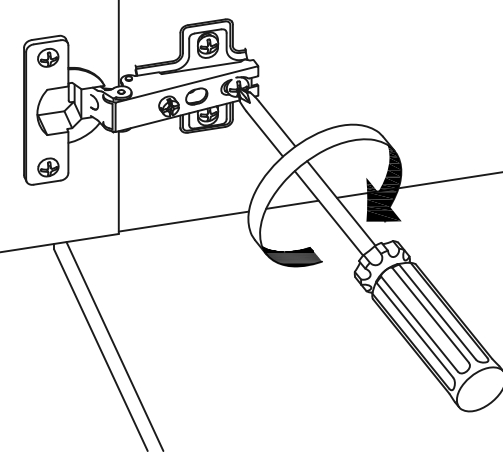
BEFORE



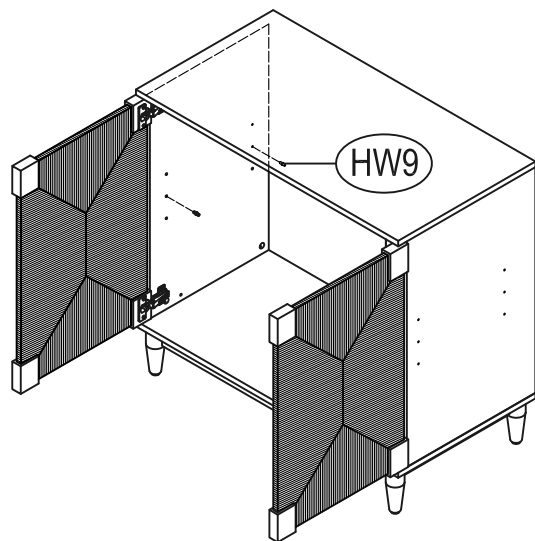
AFTER



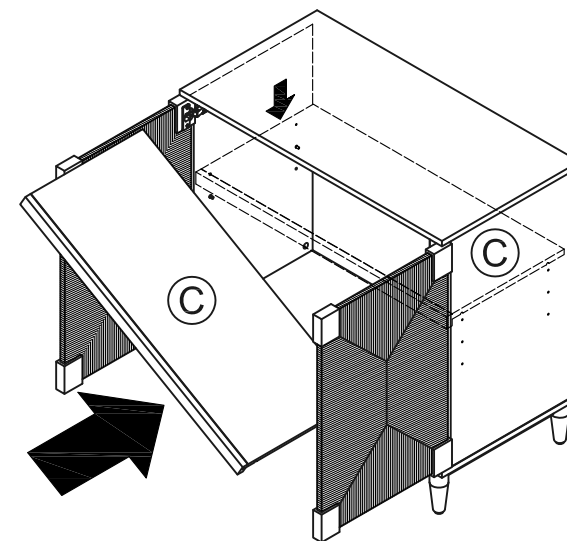
STEP 14.2.2. IF YOU NEED TO SLIDE THE DOOR FORWARD, PULL THE DOOR SLIGHTLY.



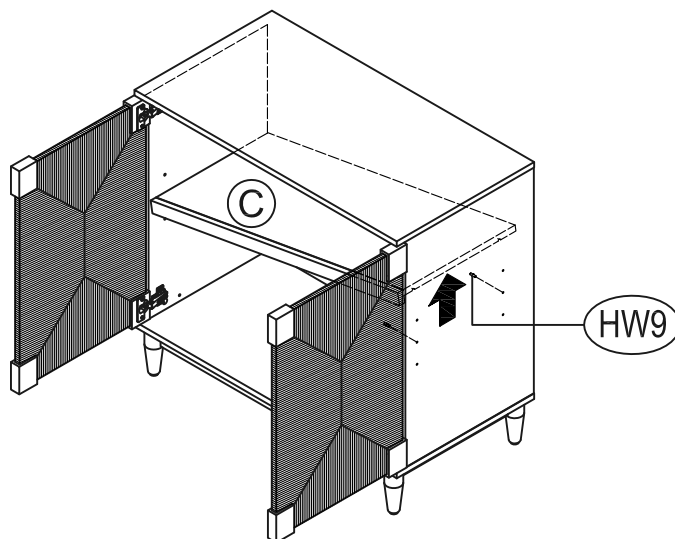
STEP 14.3. TIGHTEN THE BACK CENTER SCREW.



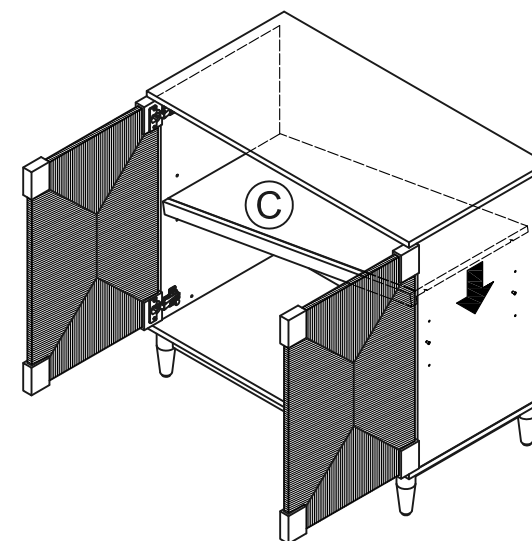
STEP 15 INSERT SHELF SUPPORT PINS (HW9) INTO LEFT PANEL AT DESIRED LEVEL.



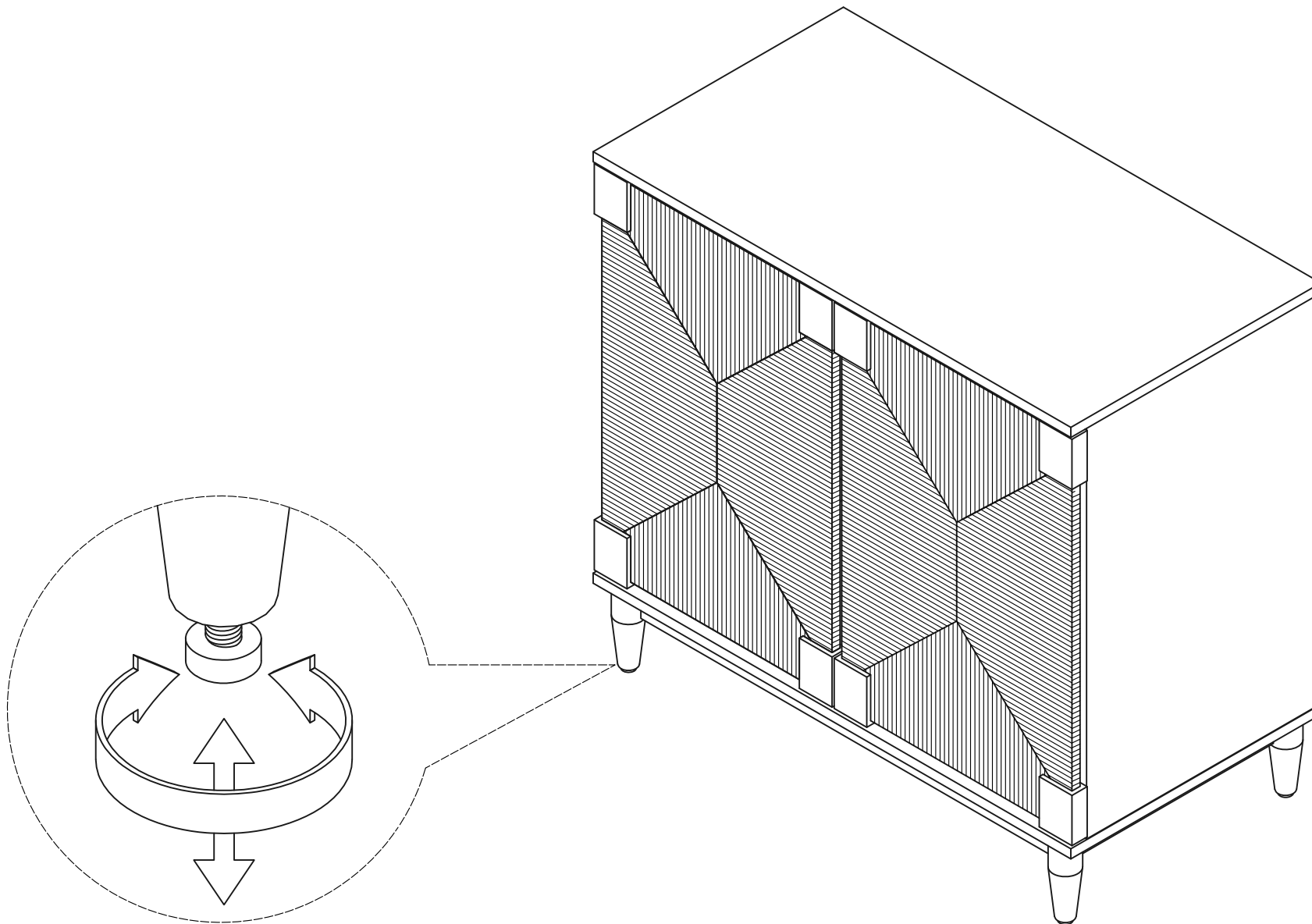
STEP 16 PLACE THE LEFT SIDE OF THE SHELF PANEL (C) INTO POSITION.



STEP 17 HOLDING IT ON THE RIGHT SIDE OF THE SIDE PANEL HIGHER THAN THE DESIRED LEVEL, INSERT THE REST SHELF SUPPORT PINS (HW9) INTO RIGHT PANEL AT DESIRED LEVEL.



STEP 18 PLACE THE RIGHT SIDE OF THE SHELF PANEL (C) INTO POSITION.



STEP 19 ADJUST THE ADJUSTER THAT HAS ALREADY BEEN ASSEMBLED TO THE LEGS TO STABILIZE YOUR UNIT.