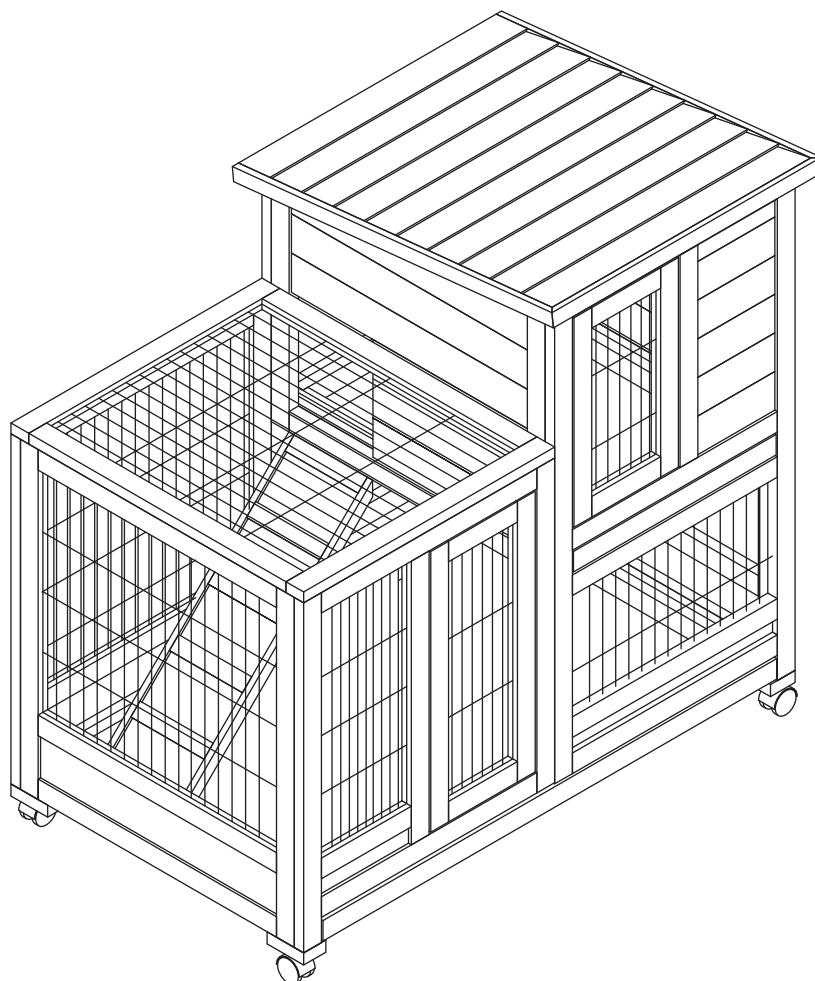


Wooden Rabbit Hutch



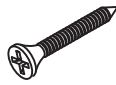

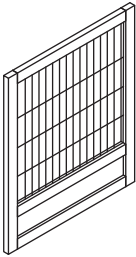

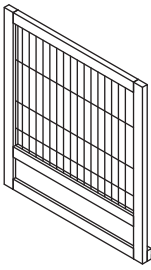
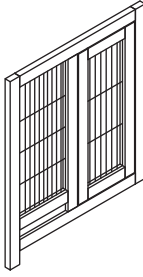
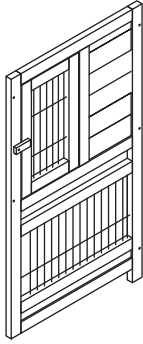
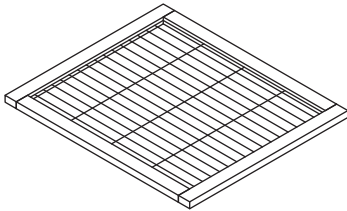
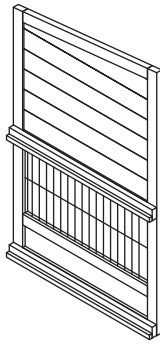
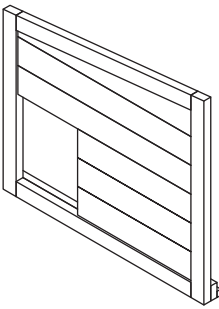
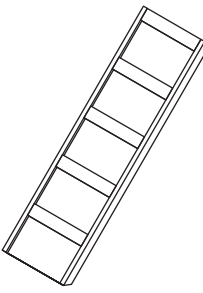
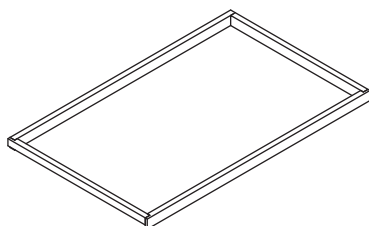
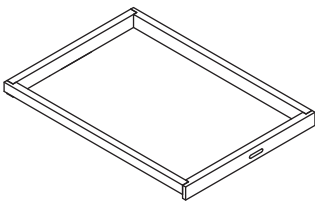
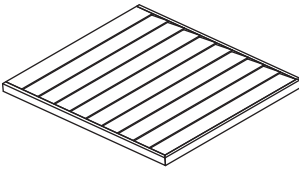
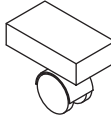
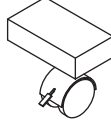


Attention

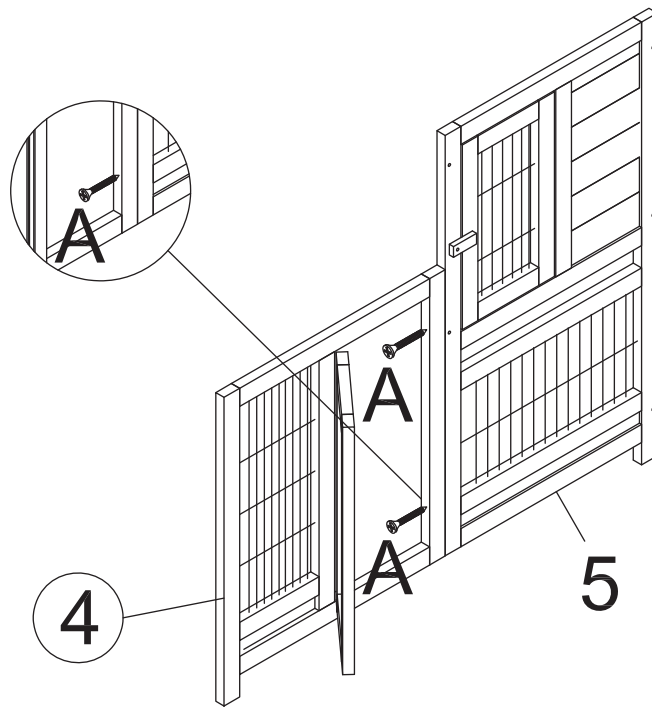
Thanks for choosing our product.

1. Before the assembly begins, please kindly check the parts listed below firstly. If any part is missing or damaged, or for any questions or problems, please feel free to contact with us at any time.
2. Recommended for 2 persons to assemble it.
3. Please wear protective gloves when assembling it. Power tools are highly recommended for screws.
4. Please pull or insert the droppings drawer with both hands.
5. Not recommended for outdoor use.

Parts List

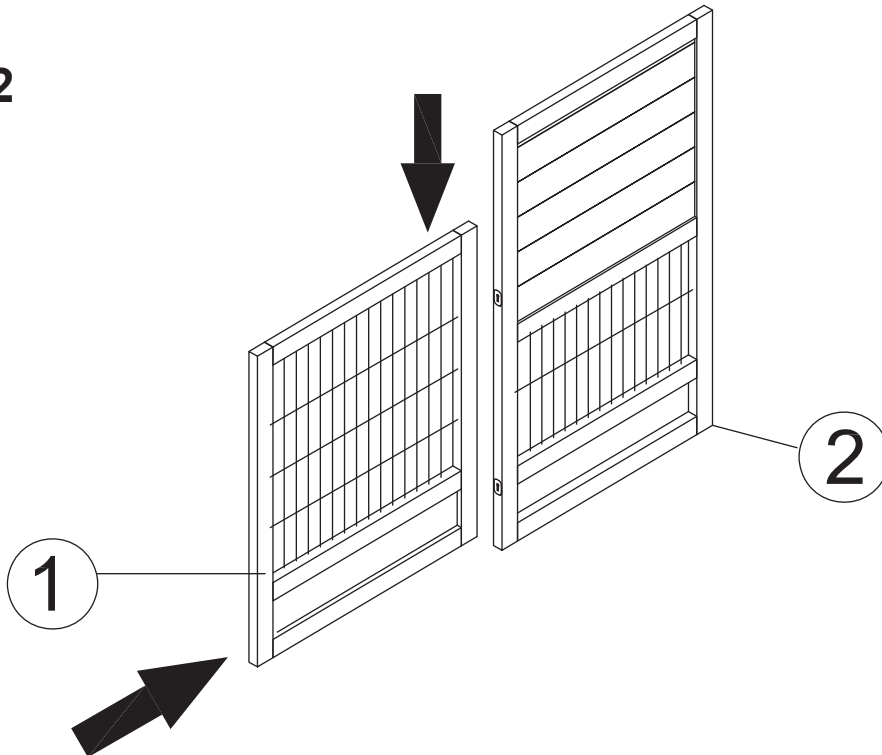
A	B	C	D
 m3.5*60 2PCS	 m3.5*50 8PCS	 m3.5*40 18PCS	 m3*16 4PCS
1  1PC	2  1PC	3  1PC	4  1PC
5  1PC	6  1PC	7  1PC	
8  1PC	9  1PC	10  1PC	
11  1PC	12  1PC	13  2PCS	14  2PCS

Step 1



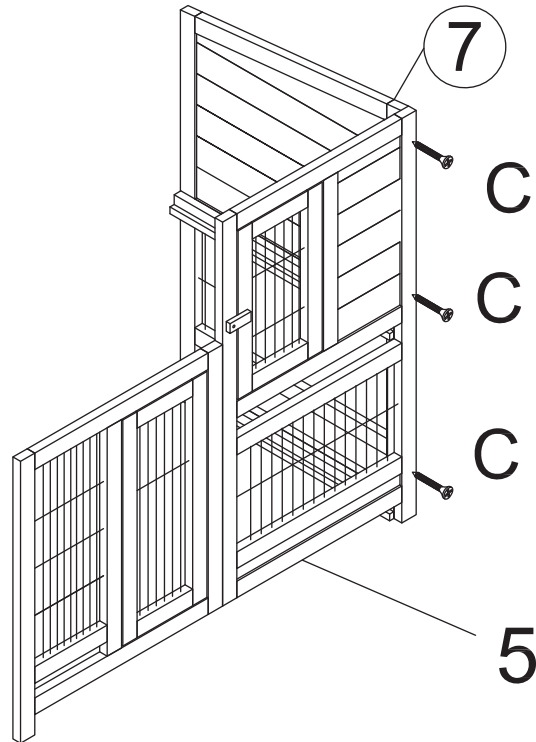
Attach door [panel 4] to [panel 5] with 2*[screw A].

Step 2



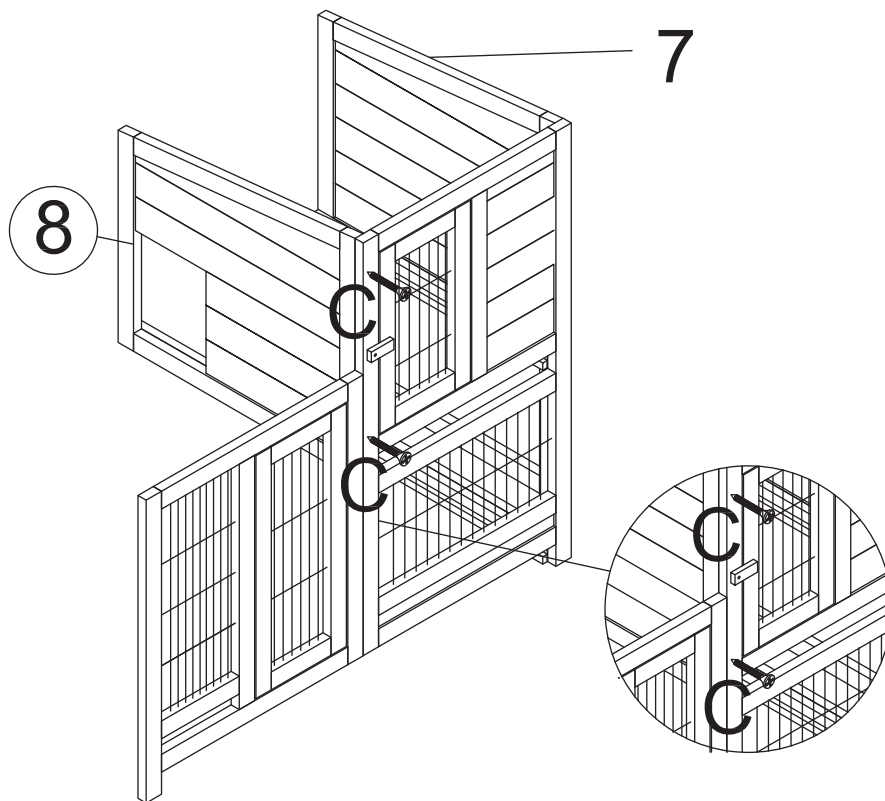
Insert pegs of [panel 1] into the side holes of [panel 2], then slide it down to secure it.

Step 3



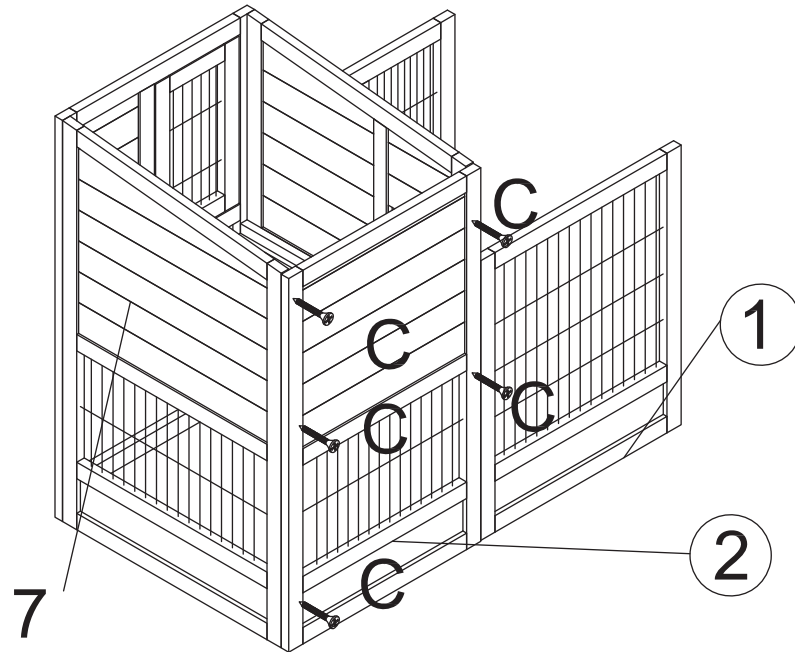
Connect [panel 7] to [panel 5] with 3*[screw C]

Step 4



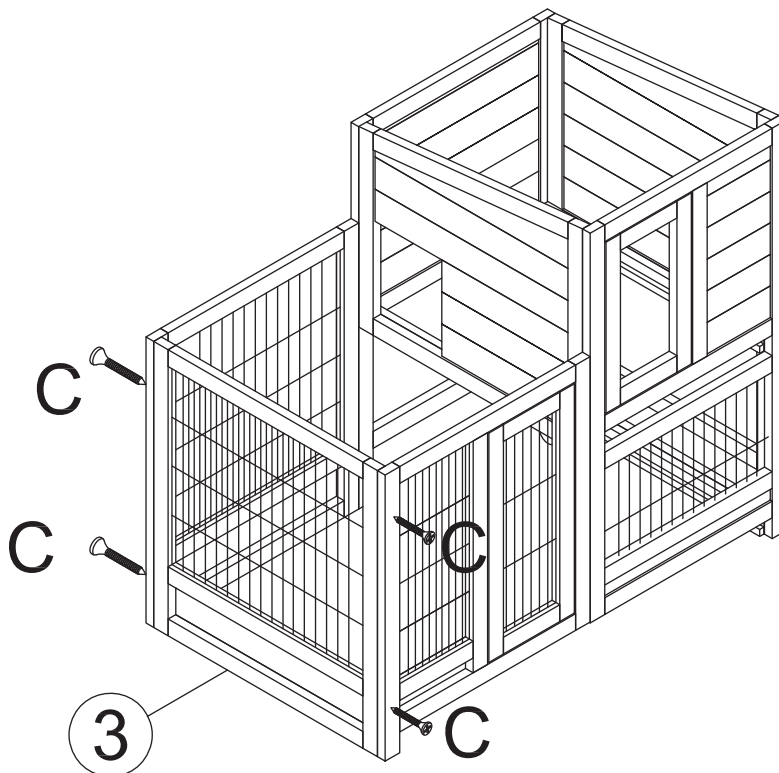
Connect [panel 8] the other side of [panel 5], just like step 3. Secure it with 2*[panel C].

Step 5



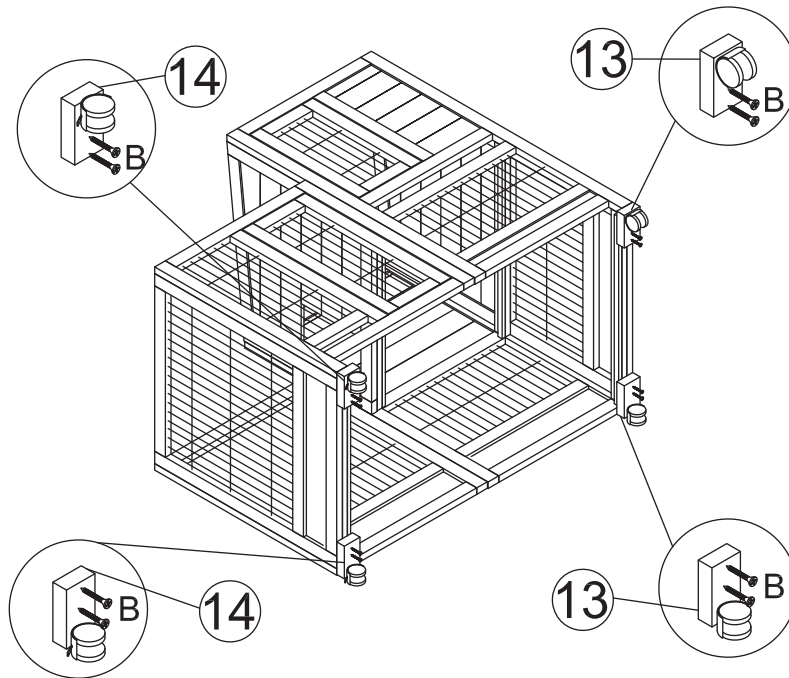
Take the set connected in STEP 2, which is [panel 1]+[panel 2], and attach it to the set in STEP 4, with 4*[screw C].

Step 6



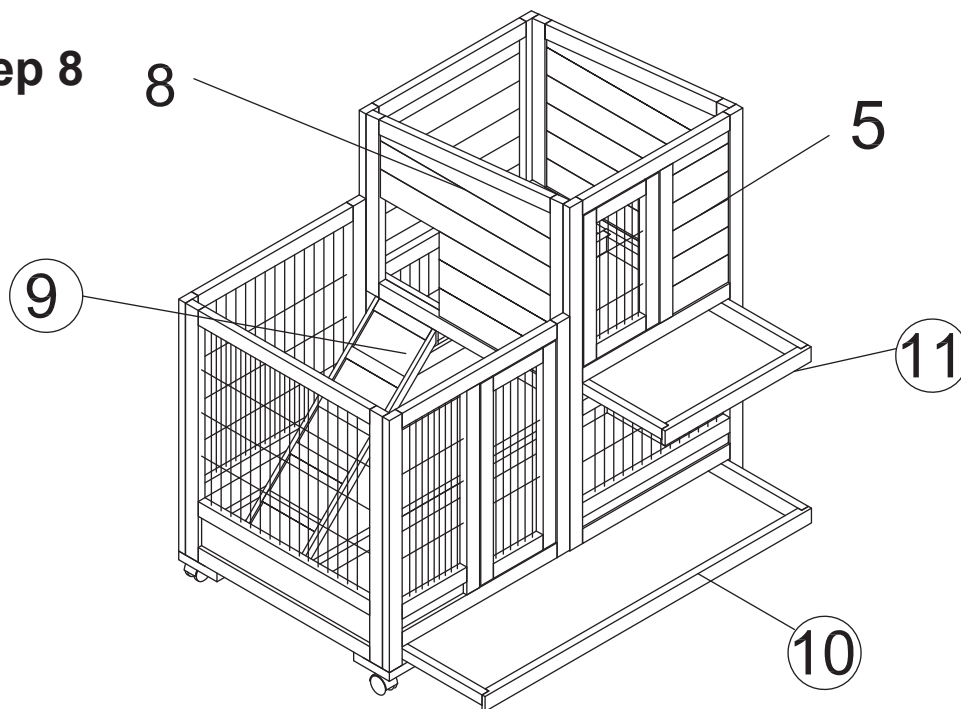
Complete the activity room with [panel 3], Secure it with 4*[screw C].

Step 7



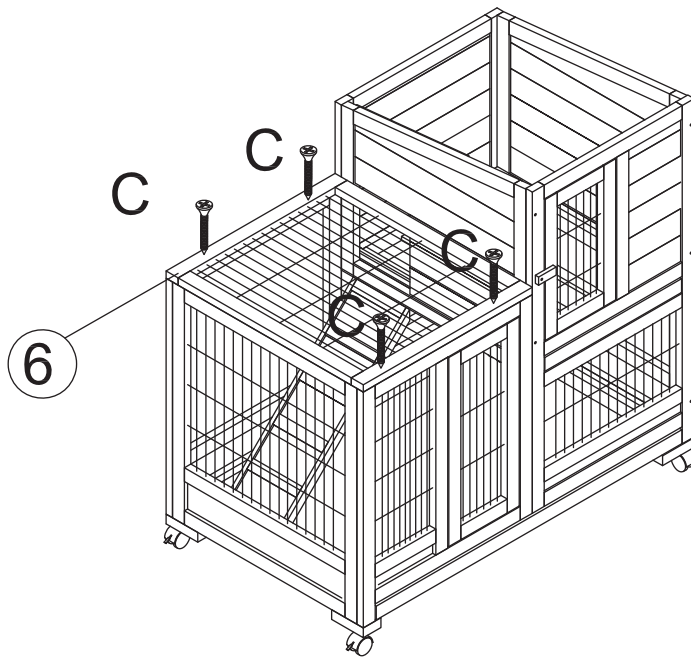
Attach wheels on the bottom, Wheels [14] are for [panel 3], and wheel [13] for [panel 7].

Step 8



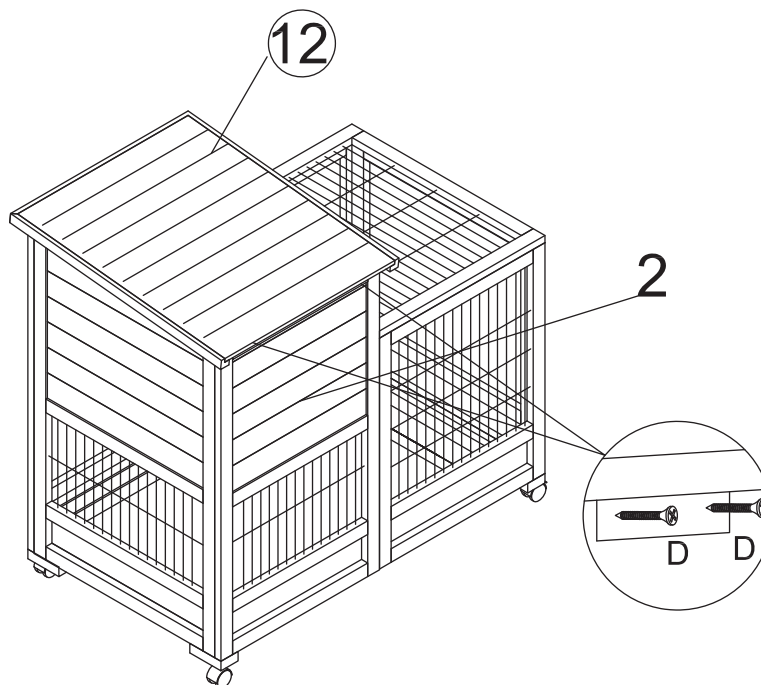
Put the ramp [panel 9] on [panel 8]. Insert the droppings drawer [panel 11] into [panel 5], and insert the bottom board [panel 10].

Step 9



Put the top of the activity room [panel 6], and secure it with 4*[screw C].

Step 10



Set the roof [panel 12] and secure it with 4*[screw D] at the hinges on [panel 2].

Wooden Rabbit Hutch

