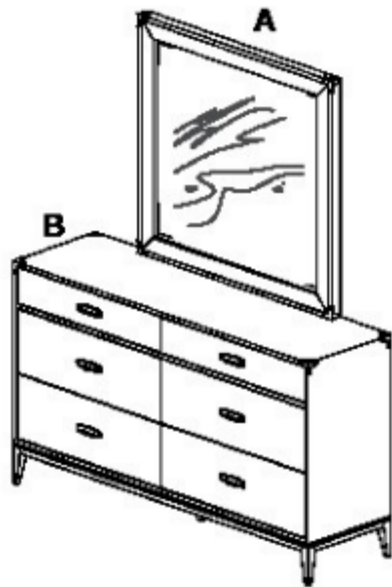
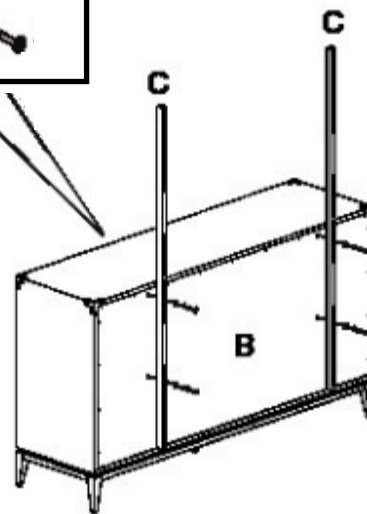
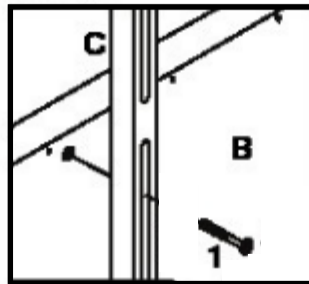


DRESSER MOUNTING



STEP 1 :

Attaching connecting supports (C) to Dresser (B) using provided screws. Two screws should be used to attach the connecting supports (C) to Dresser (B)



STEP 2 :

Place mirror (A) on top of Dresser (B). Connect mirror (A) to Connecting supports (C) by screwing in each support with two provided screws.

