

Installation Manual for Wall lamp

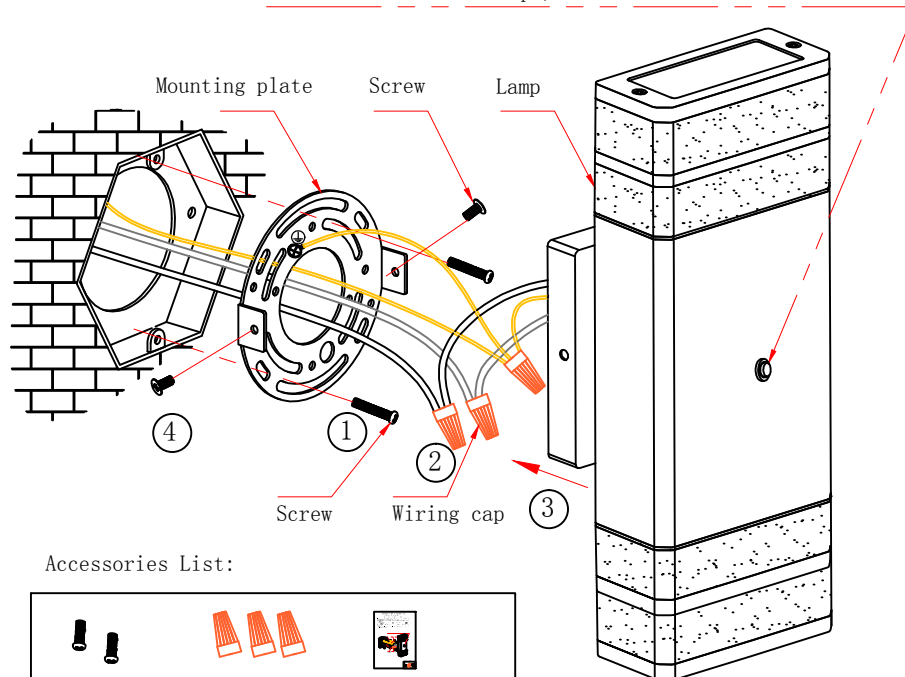
(Warning: Cut off the power before installation to prevent electric shock)

SPECIFICATIONS




Lamp tube material	aluminum
Shade material	PC
size	9.84*4.33*3.35 inch
weight	1.96 lb
Voltage	AC100-277V
Watts	10W(5W*2)
Bulb type	LED
long life	>50000h

1. Before installing the lamp, remove the mounting plate of the lamp (remove the screws on both sides of the mounting plate with a tool), and then fix the mounting plate in the screw hole of the installation position with the kit screws
2. Using the wiring cap in the accessory kits, then Connecting the L wire marked on the lamp with the live wire of the appliance, the N wire marked with the neutral wire of the appliance, and the bare copper wire with the ground wire of the appliance. (Lighting the lamp then complete the correct wiring)
3. Install the lamp with the fixed mounting plate
4. Fix the mounting plate screws with tools to complete the installation.

It is Equipped With a Dawn to Dusk Sensor, Which Automatically Turns on at Night and Turns Off at Dawn. Needs to be Directed Towards the Direction of Open Space With Sunlight, and Cannot be Installed in the Place Where the Object is Always in Darkness or Cove. (Note: The lamp can not be installed in the direction of the lamp probe light reflection environment, otherwise it will affect the normal use of the lamp.)



Accessories List:

		
Screw	Wire connector	Instruction
2PCS	3PCS	1 PCS